



US00D411513S

United States Patent [19]

Wu et al.

[11] Patent Number: **Des. 411,513**

[45] Date of Patent: **** Jun. 29, 1999**

[54] **D-SUBMINIATURE CONNECTOR**

[75] Inventors: **Kun-Tsan Wu, Tu-Chen; Johnson Yang, Taipei Hsien; Chin-Yi Lai, Tu-Chen, all of Taiwan**

[73] Assignee: **Hon Hai Precision Ind. Co., Ltd., Taipei Hsien, Taiwan**

[**] Term: **14 Years**

[21] Appl. No.: **29/091,517**

[22] Filed: **Jul. 31, 1998**

[30] **Foreign Application Priority Data**

Mar. 9, 1998 [TW] Taiwan 87301601

[51] **LOC (6) Cl.** **13-03**

[52] **U.S. Cl.** **D13/147**

[58] **Field of Search** D13/146, 147; 439/79, 83, 557, 607, 609

[56] **References Cited**

U.S. PATENT DOCUMENTS

4,824,398 4/1989 Taylor 439/607 X

4,889,502	12/1989	Althouse et al.	439/607
5,163,851	11/1992	Hart et al.	439/607 X
5,342,220	8/1994	Kodama	439/607
5,564,945	10/1996	Domingos et al.	439/607 X
5,591,035	1/1997	Burkholder et al.	439/79
5,613,879	3/1997	Fonteneau et al.	439/607

Primary Examiner—Joel Sincavage

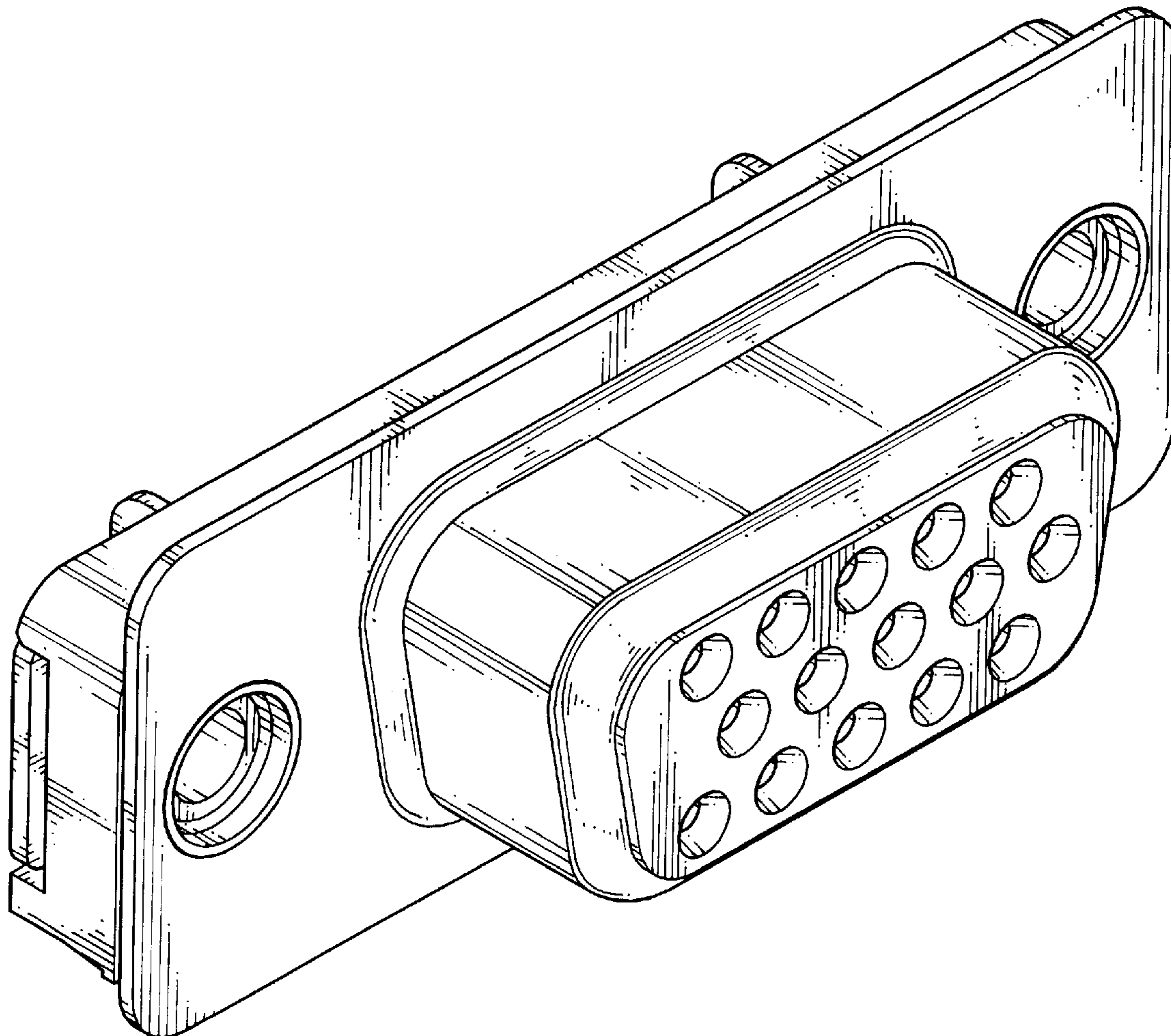
[57] **CLAIM**

The ornamental design for a D-subminiature connector, as shown.

DESCRIPTION

FIG. 1 is a front, top and left perspective view of a D-subminiature connector showing our new design;
 FIG. 2 is a front view thereof;
 FIG. 3 is a rear view thereof;
 FIG. 4 is a left side elevational view thereof;
 FIG. 5 is a right side elevational view thereof;
 FIG. 6 is a top plan view thereof; and,
 FIG. 7 is a bottom plan view thereof.

1 Claim, 7 Drawing Sheets



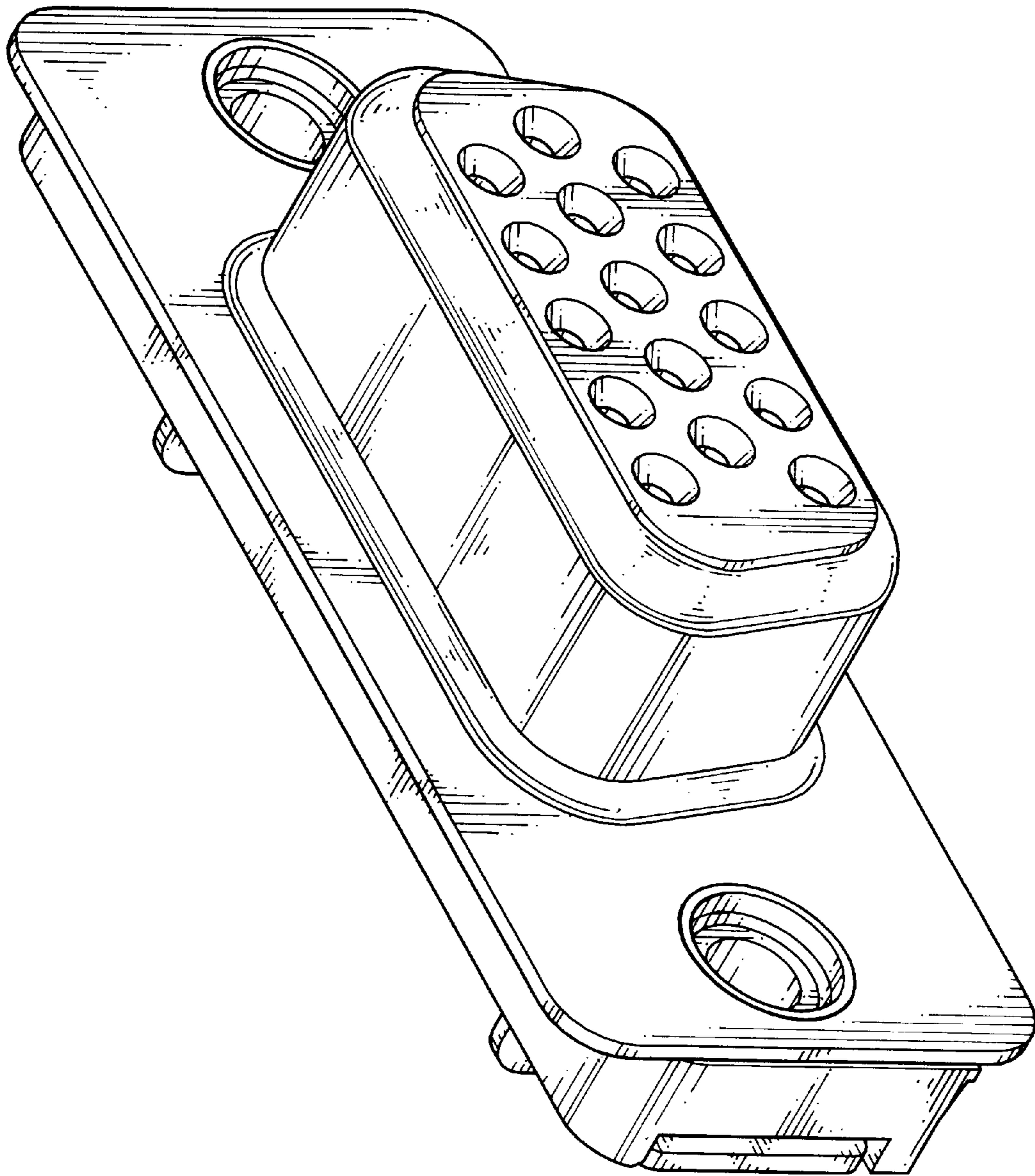


FIG. 1

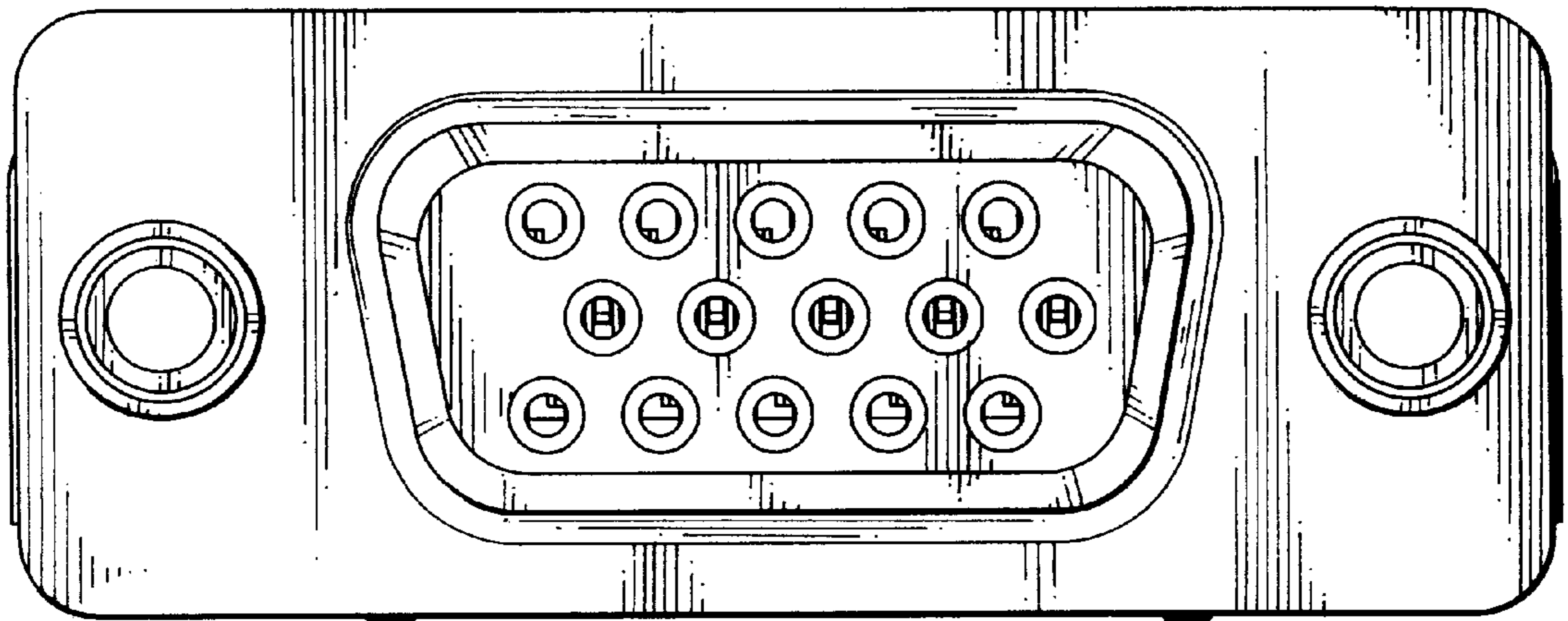


FIG. 2

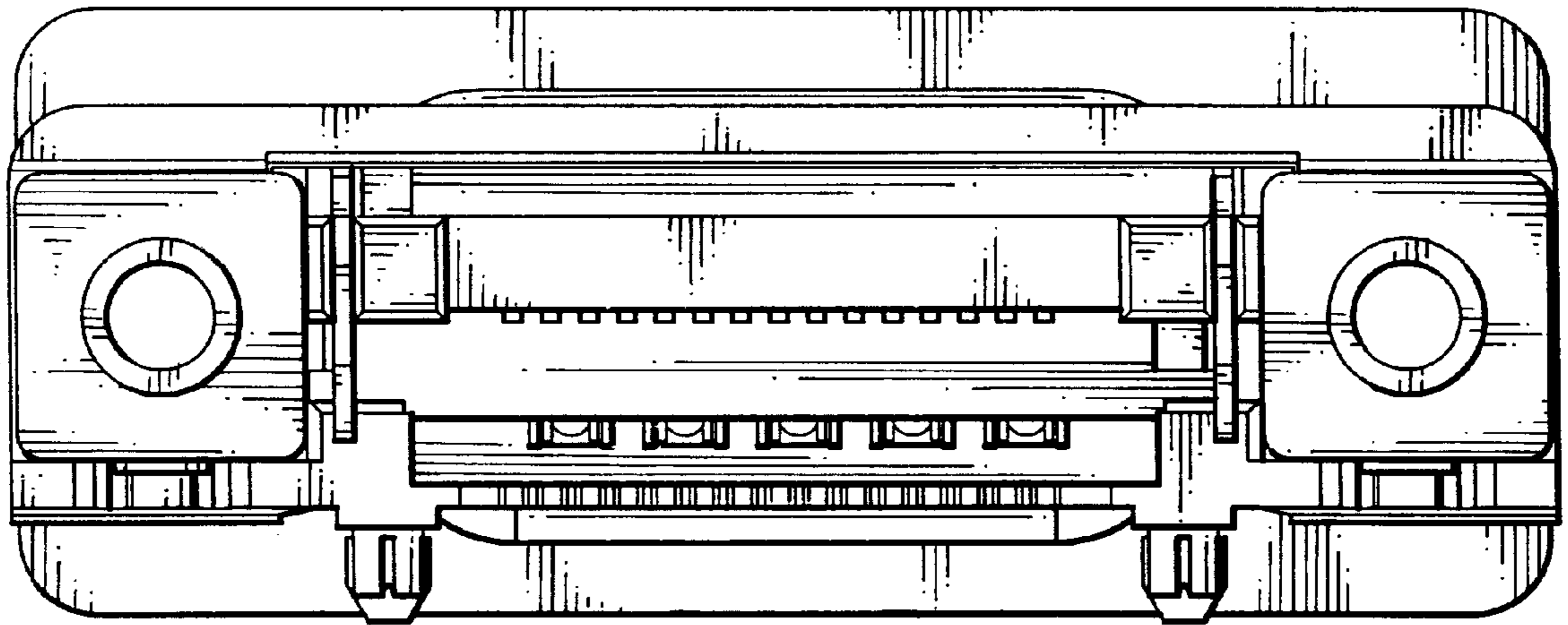


FIG. 3

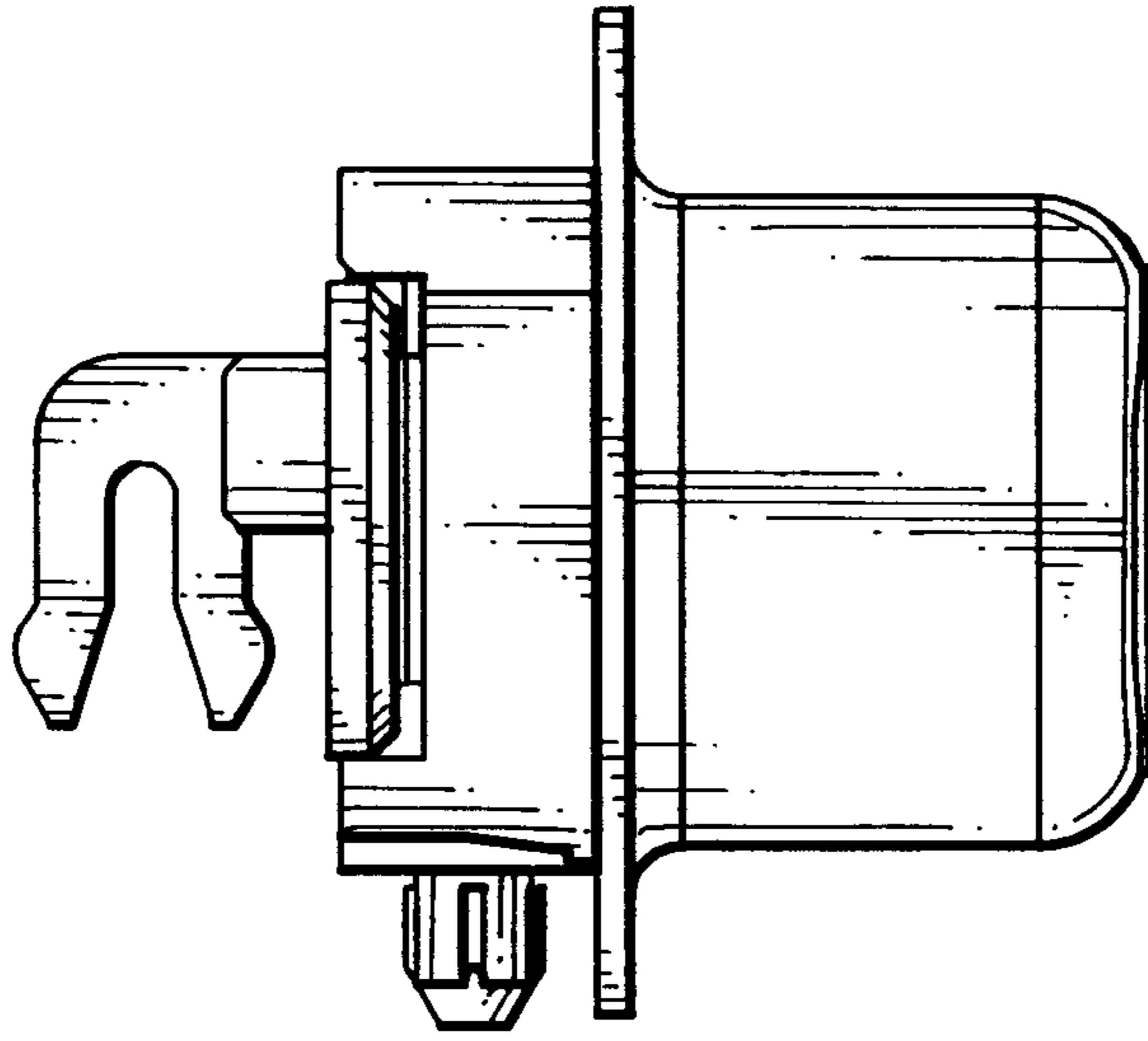


FIG. 4

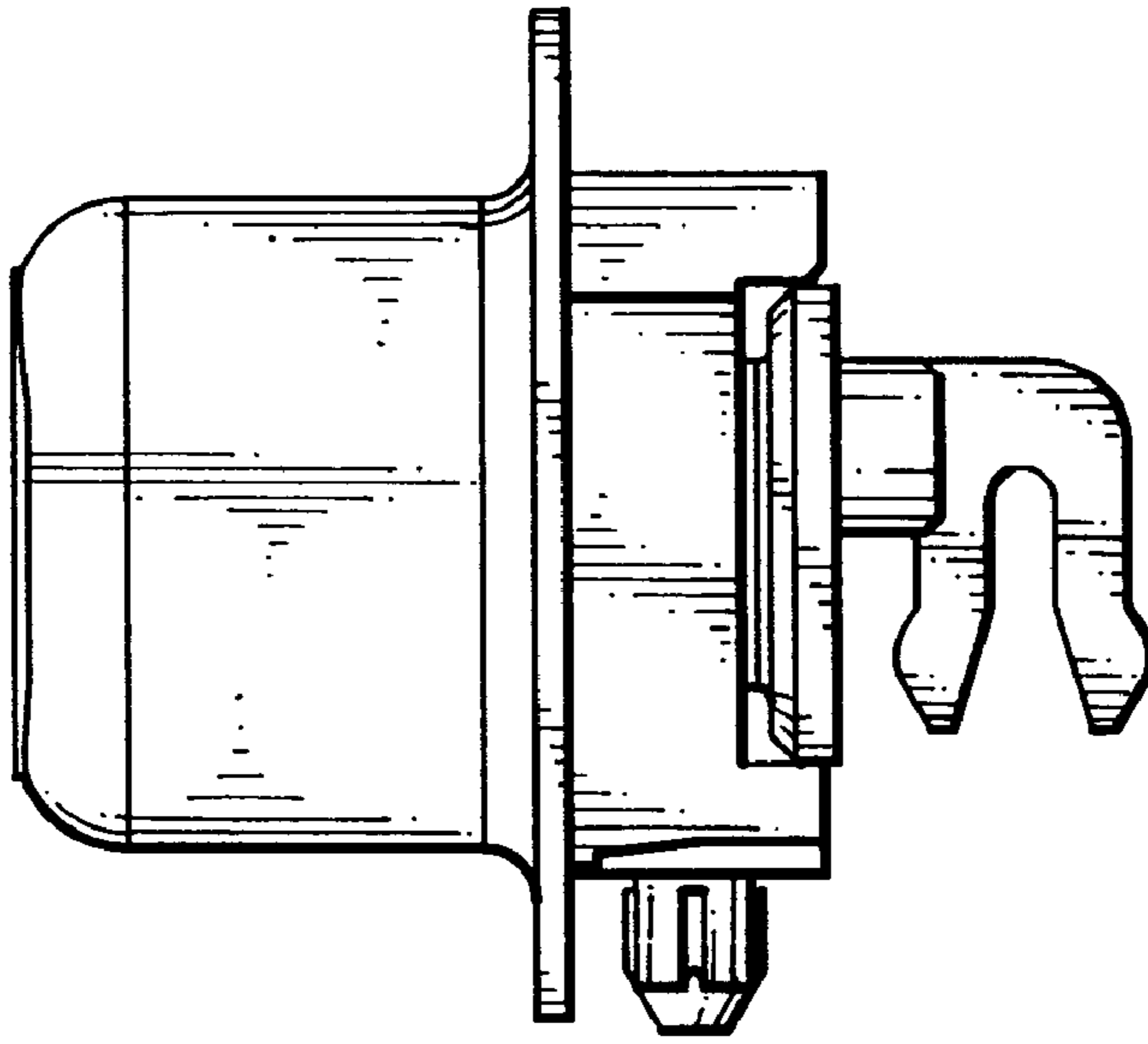


FIG. 5

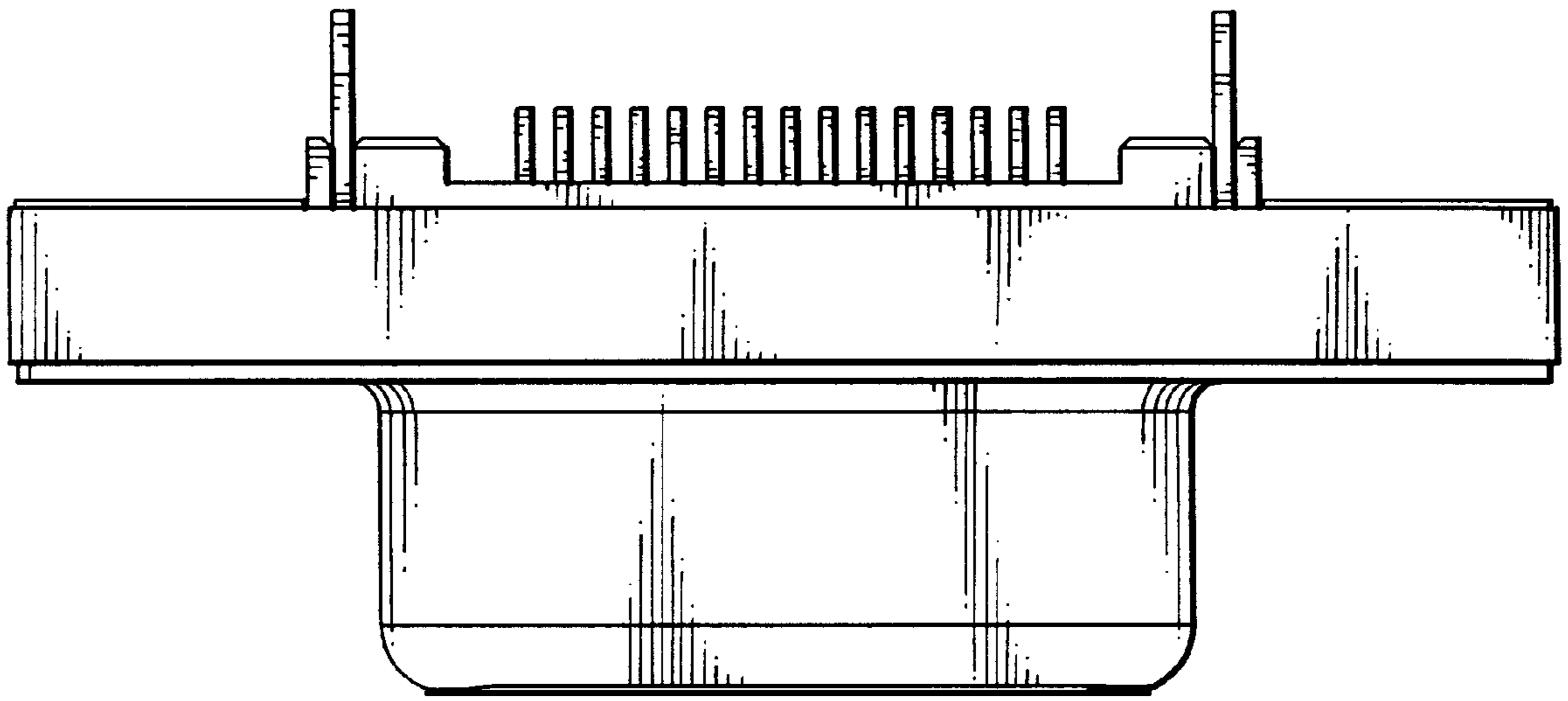


FIG. 6

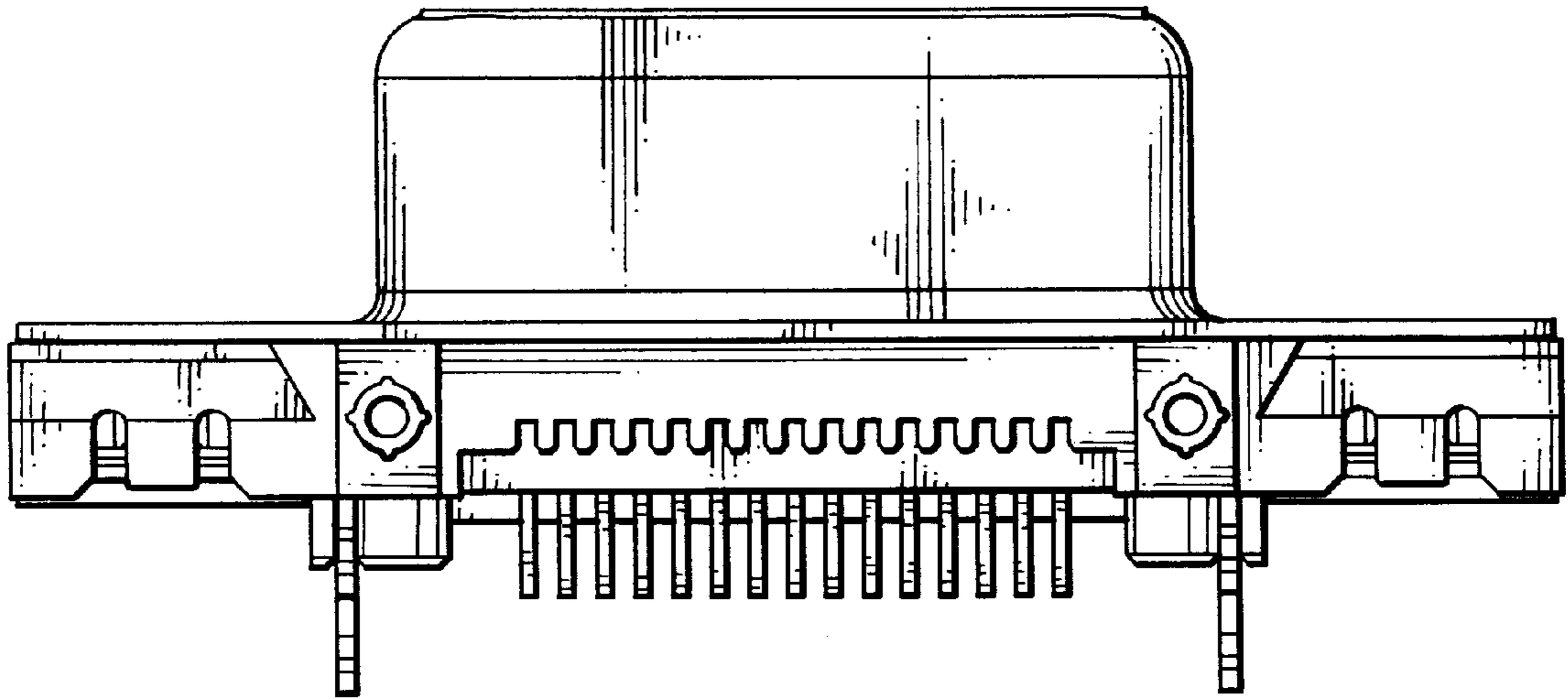


FIG. 7