



US00D411509S

United States Patent [19] Schlegel

[11] **Patent Number: Des. 411,509**

[45] **Date of Patent: ** Jun. 29, 1999**

[54] **TRANSFORMER MOUNTING PAD**

[75] **Inventor: Robert R. Schlegel, Cranbury, N.J.**

[73] **Assignee: PenCell Plastics, Inc., New Egypt, N.J.**

[**] **Term: 14 Years**

[21] **Appl. No.: 29/096,394**

[22] **Filed: Nov. 12, 1998**

[51] **LOC (6) Cl. 13-02**

[52] **U.S. Cl. D13/118; D8/349**

[58] **Field of Search D13/118; D8/349;
248/678, 346.01; 336/65**

[56] **References Cited**

U.S. PATENT DOCUMENTS

D. 239,133	3/1976	Dunmire	D13/118
D. 239,563	4/1976	Dunmire	D13/118
3,799,461	3/1974	Skeen et al.	248/678
4,023,755	5/1977	Alesi, Jr.	248/678

4,056,251	11/1977	Dixon et al.	248/678
4,212,446	7/1980	Domanick et al.	248/678
4,883,918	11/1989	Browning	248/678 X
4,946,725	8/1990	Harlan	248/346.01
5,833,207	11/1998	Hagenhoff et al.	248/346.01 X

Primary Examiner—Joel Sincavage
Attorney, Agent, or Firm—Sperry, Zoda & Kane

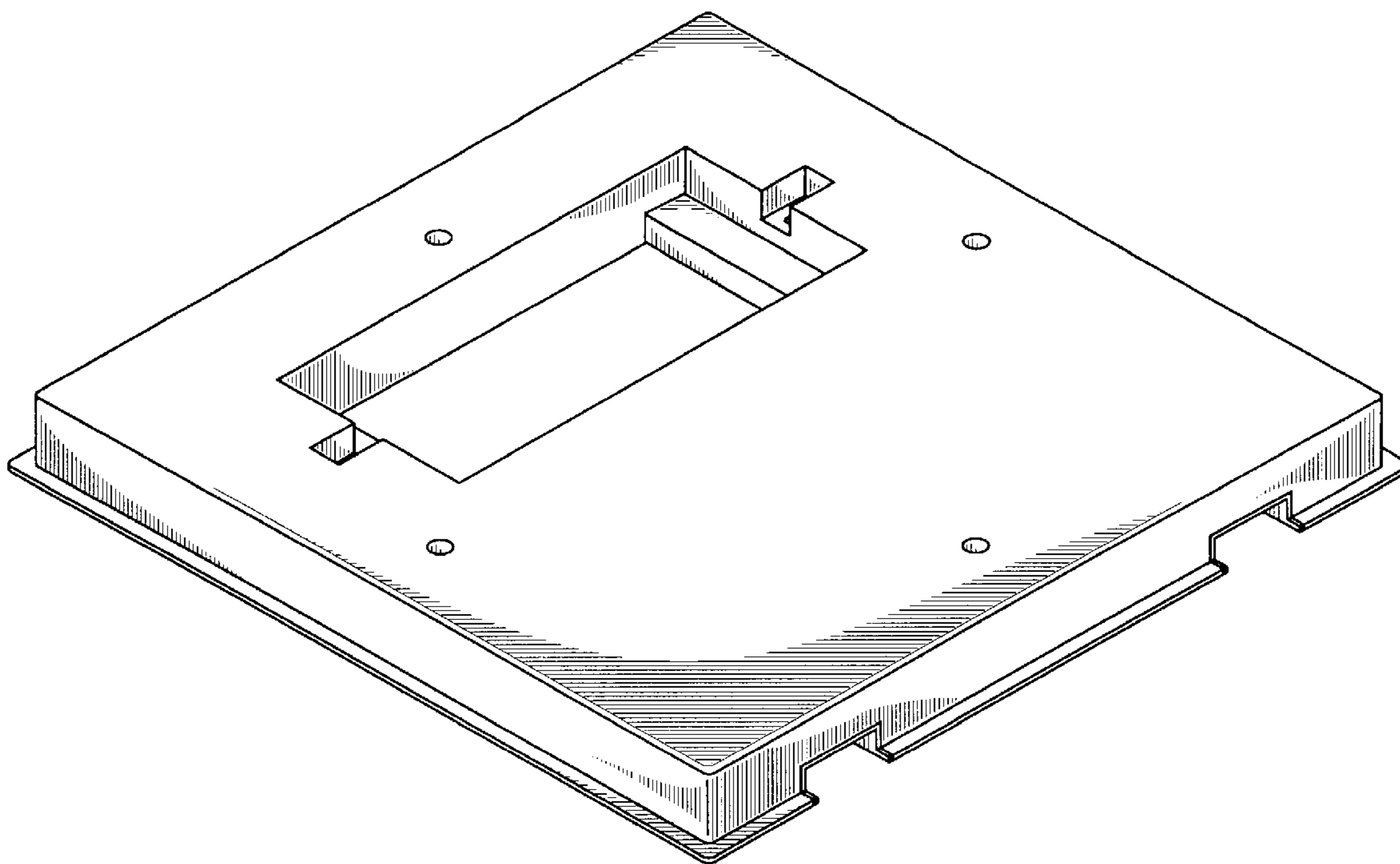
[57] **CLAIM**

The ornamental design for a transformer mounting pad, as shown.

DESCRIPTION

FIG. 1 is a top perspective illustration of a transformer mounting pad embodying my new design; FIG. 2 is a bottom perspective illustration; FIG. 3 is a side plan view; FIG. 4 is a top plan view; FIG. 5 is a rear plan view; and, FIG. 6 is a bottom plan view.

1 Claim, 2 Drawing Sheets



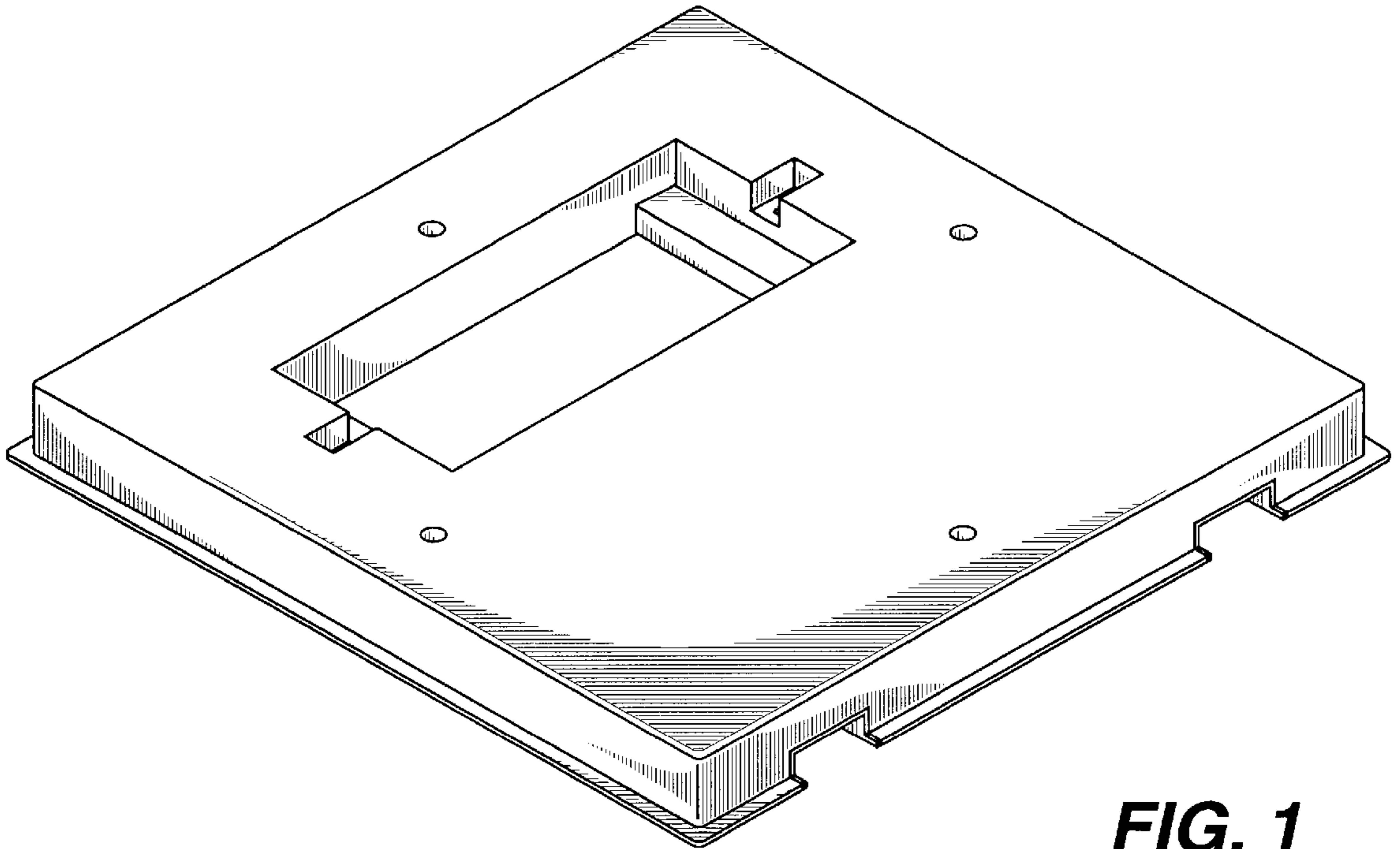


FIG. 1

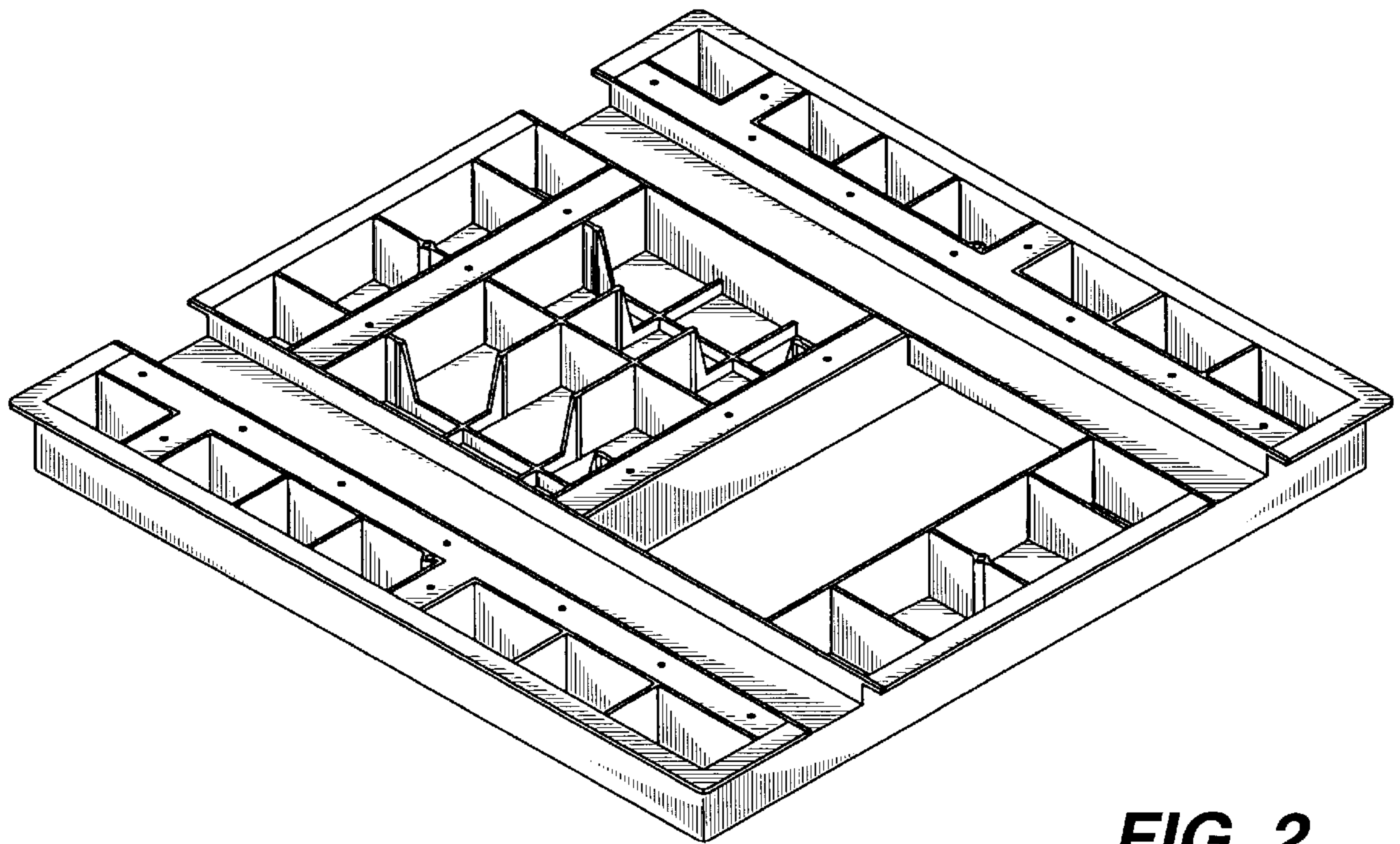


FIG. 2

FIG. 3

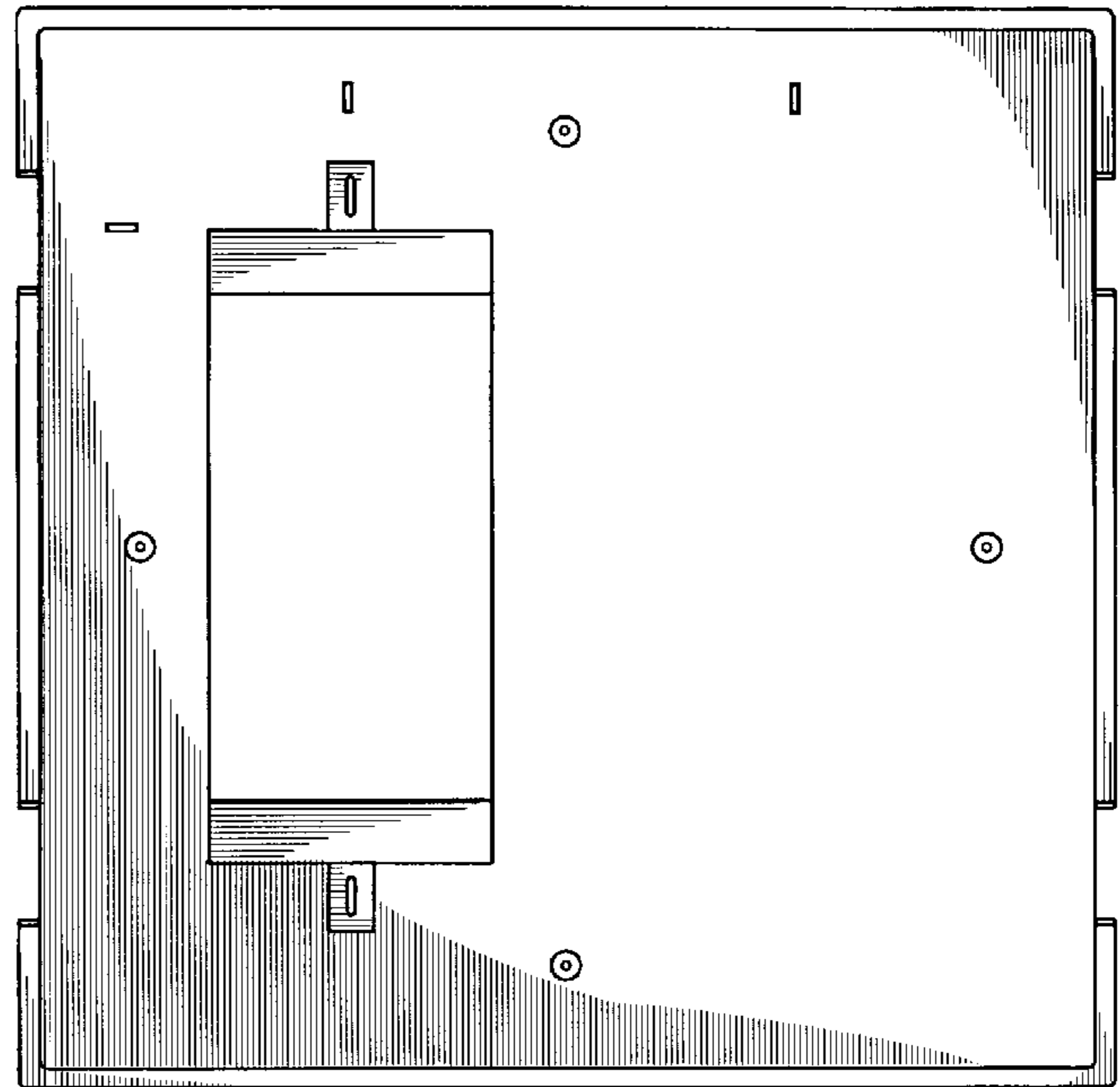


FIG. 4



FIG. 6



FIG. 5

