



US00D411508S

United States Patent [19] Spillyards

[11] Patent Number: **Des. 411,508**

[45] Date of Patent: **** Jun. 29, 1999**

[54] BUSHING WELL

5,808,536 9/1998 Sandlin, Jr. et al. 174/152 R

[75] Inventor: **Jim R. Spillyards**, Maumelle, Ark.

OTHER PUBLICATIONS

[73] Assignee: **Central Moloney, Inc.**, Pine Bluff, Ark.

“Tuf Well”, Product Announcement, Components Operation, Coltec Industries, May 1, 1990, 4 pages.

[**] Term: **14 Years**

Primary Examiner—Joel Sincavage
Attorney, Agent, or Firm—Sixbey, Friedman, Leedom & Ferguson; Daniel W. Sixbey

[21] Appl. No.: **29/082,924**

[22] Filed: **Jan. 16, 1998**

[57] CLAIM

[51] LOC (6) Cl. **13-02**

The ornamental design for a bushing well, as shown and described.

[52] U.S. Cl. **D13/118**

[58] Field of Search D13/133, 125,
D13/118; 439/921, 185; 174/152 R

DESCRIPTION

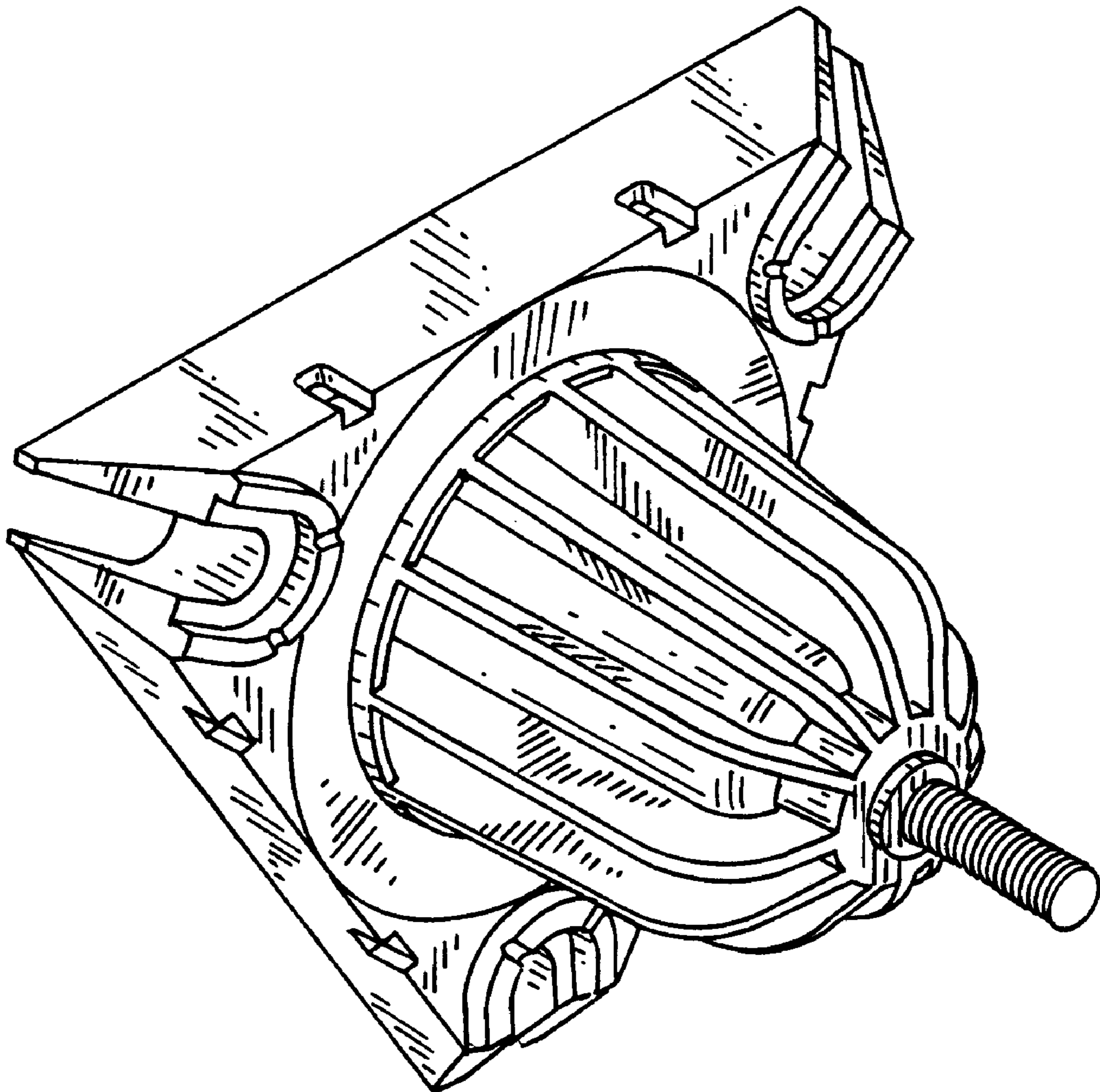
[56] References Cited

U.S. PATENT DOCUMENTS

4,353,611	10/1982	Siebens et al.	439/921	X
4,611,093	9/1986	Farmer et al. .		
4,782,197	11/1988	Stunzi et al.	174/152	R
5,092,798	3/1992	Muench	439/921	X
5,483,023	1/1996	Barnes	174/152	R
5,548,089	8/1996	Yamat	174/152	R X

FIG. 1 is a perspective view showing my new design from the underside of the bushing well;
FIG. 2 is a bottom plan view thereof;
FIG. 3 is a top plan view thereof;
FIG. 4 is a view in front elevation thereof;
FIG. 5 is a view in rear elevation thereof;
FIG. 6 is a left side elevational view thereof; and,
FIG. 7 is a right side elevational view thereof.

1 Claim, 2 Drawing Sheets



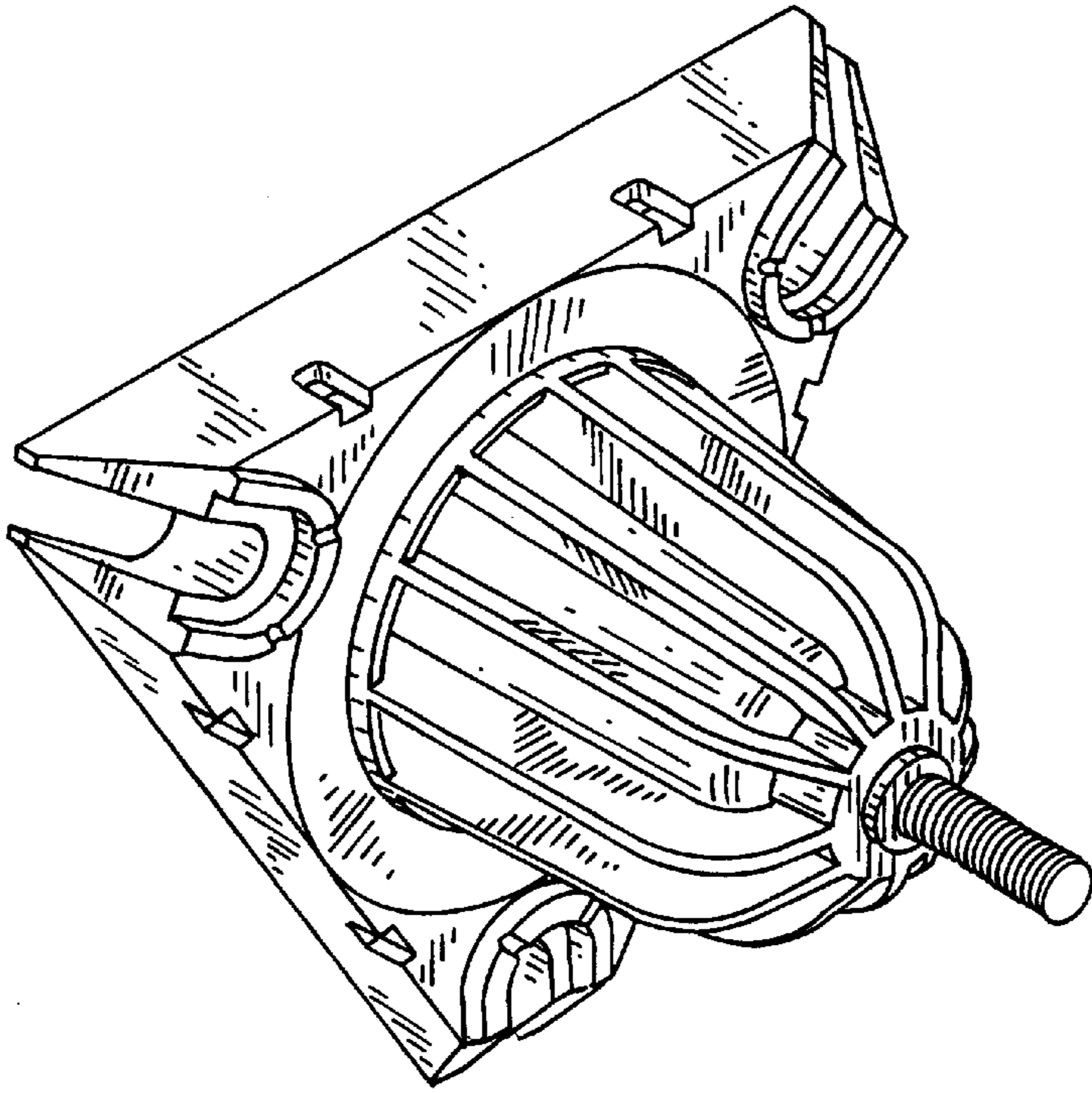


FIG. 1

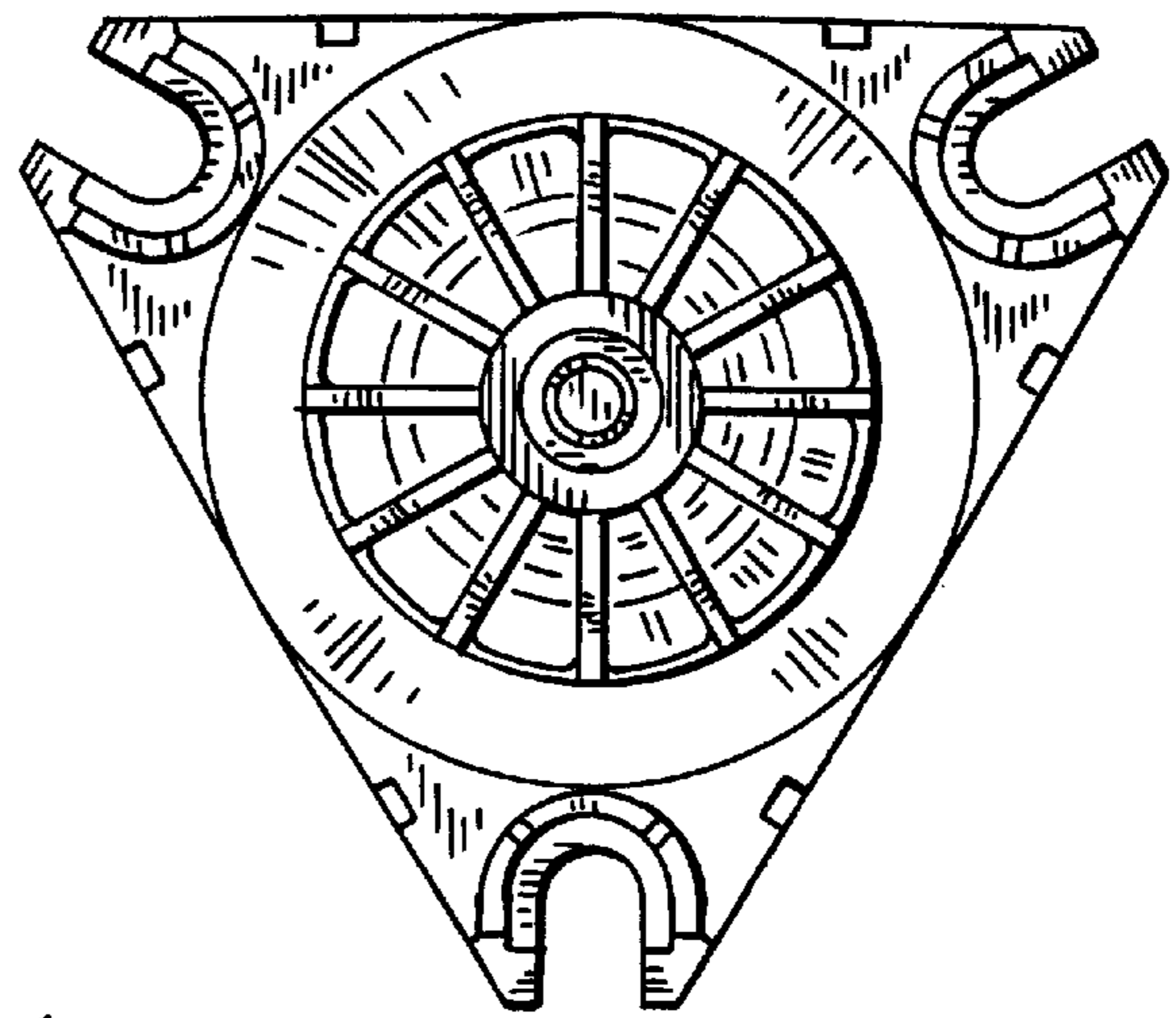


FIG. 2

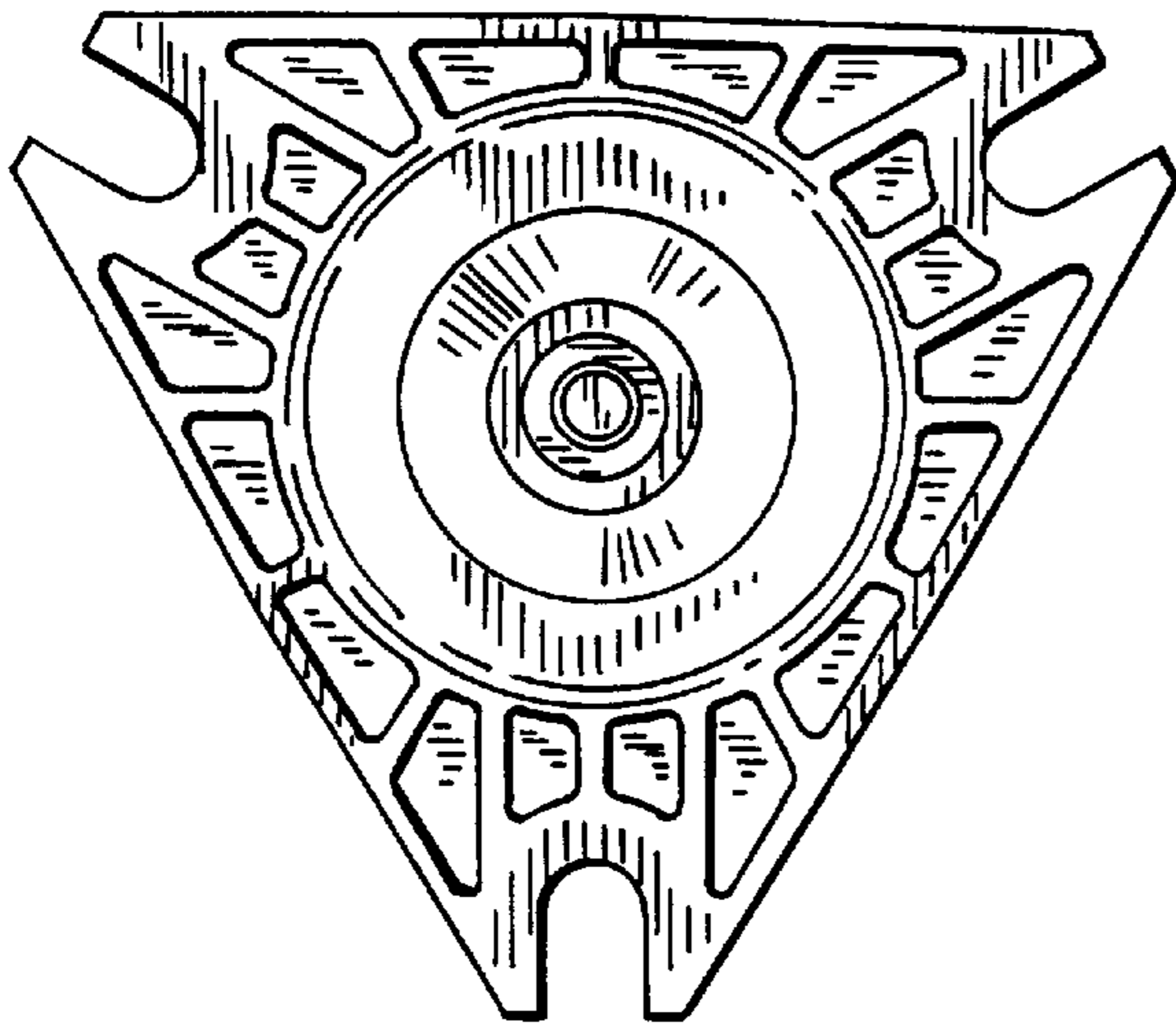


FIG. 3

FIG. 4

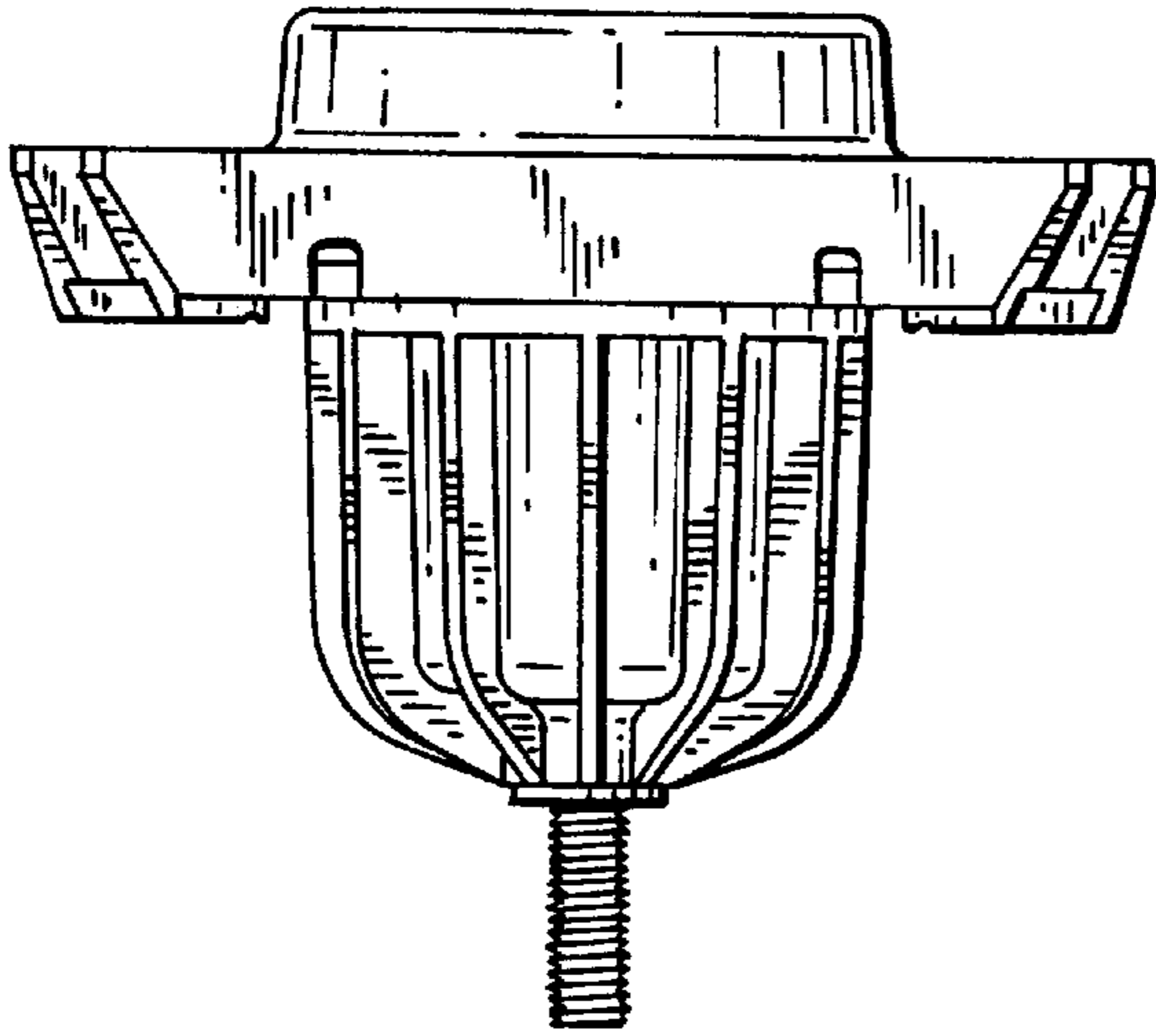


FIG. 5

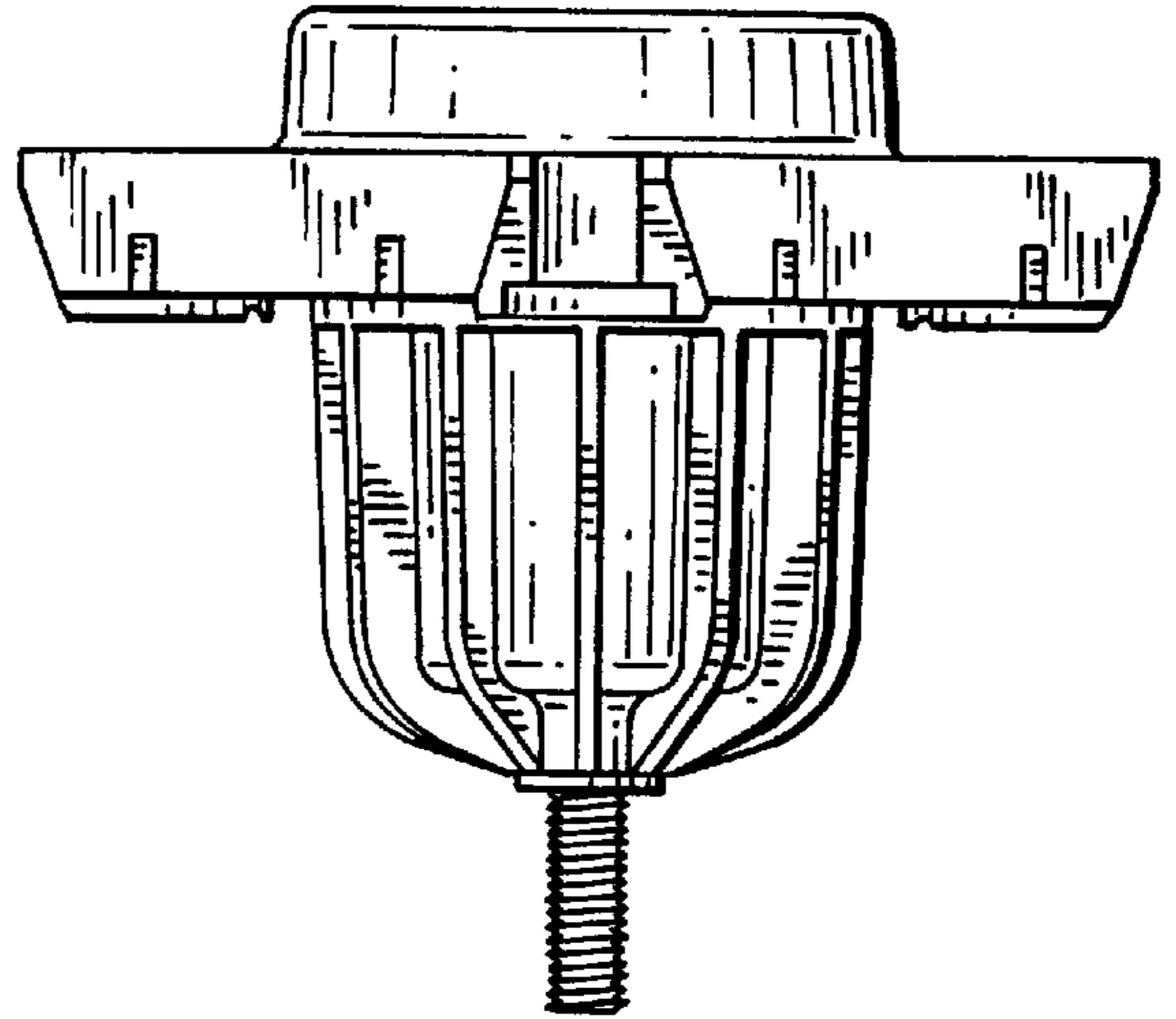


FIG. 6

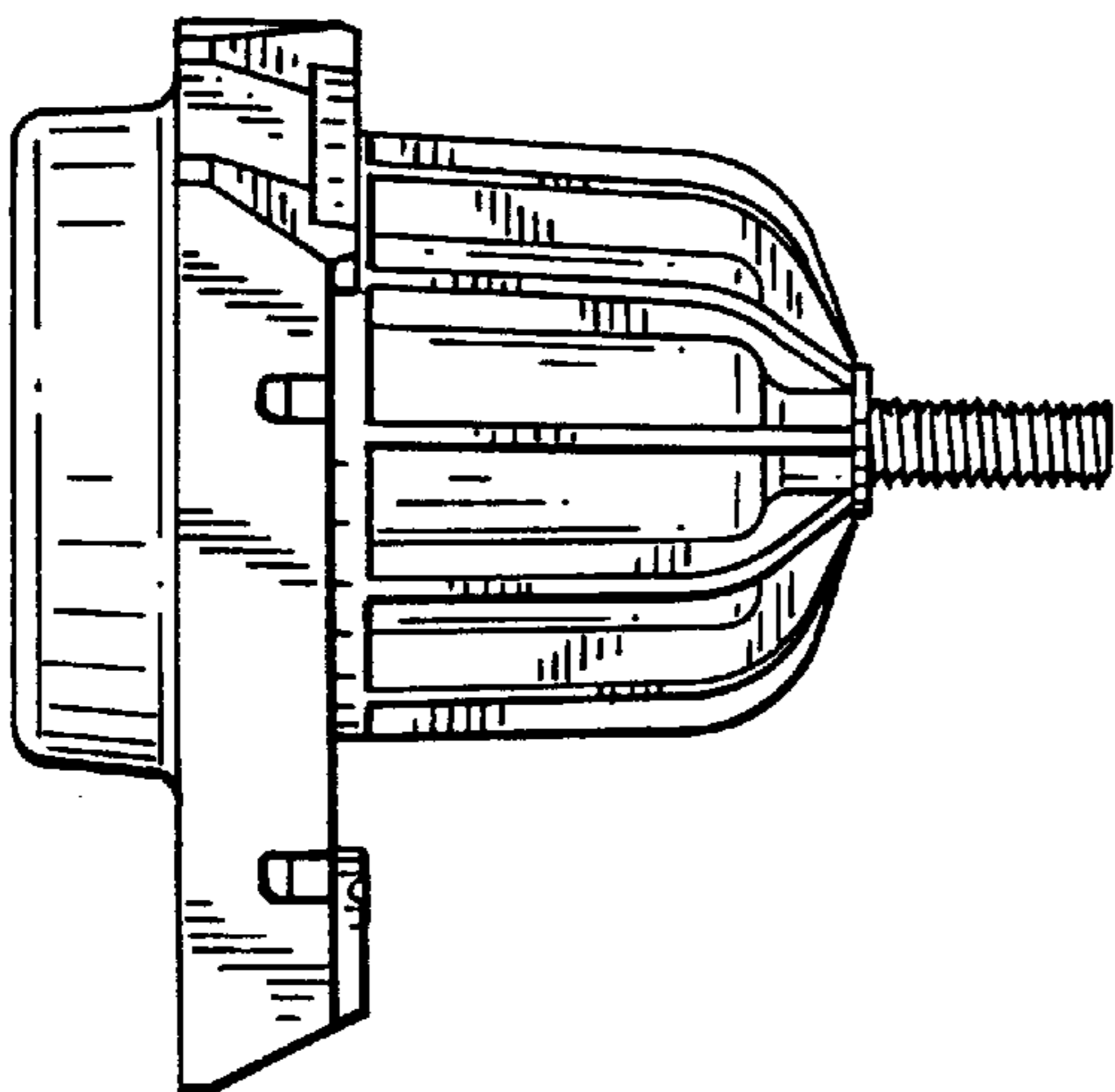


FIG. 7

