



US00D411507S

# United States Patent [19]

Reis, Jr. et al.

[11] Patent Number: **Des. 411,507**

[45] Date of Patent: **\*\* Jun. 29, 1999**

[54] **BATTERY CHARGER**

5,847,541 12/1998 Hahn ..... 320/111

[75] Inventors: **Robert C. Reis, Jr.**, Lake In The Hills, Ill.; **Holley Renfro**, Snellville; **James Blackwell**, Lawrenceville, both of Ga.

*Primary Examiner*—Joel Sincavage  
*Attorney, Agent, or Firm*—Mark D. Patrick

[73] Assignee: **Motorola, Inc.**, Schaumburg, Ill.

[57] **CLAIM**

[\*\*] Term: **14 Years**

The ornamental design for a battery charger, as shown and described.

[21] Appl. No.: **29/088,685**

**DESCRIPTION**

[22] Filed: **May 29, 1998**

[51] **LOC (6) Cl.** ..... **13-02**

[52] **U.S. Cl.** ..... **D13/107**

[58] **Field of Search** ..... D13/107, 108;  
320/107, 111-115

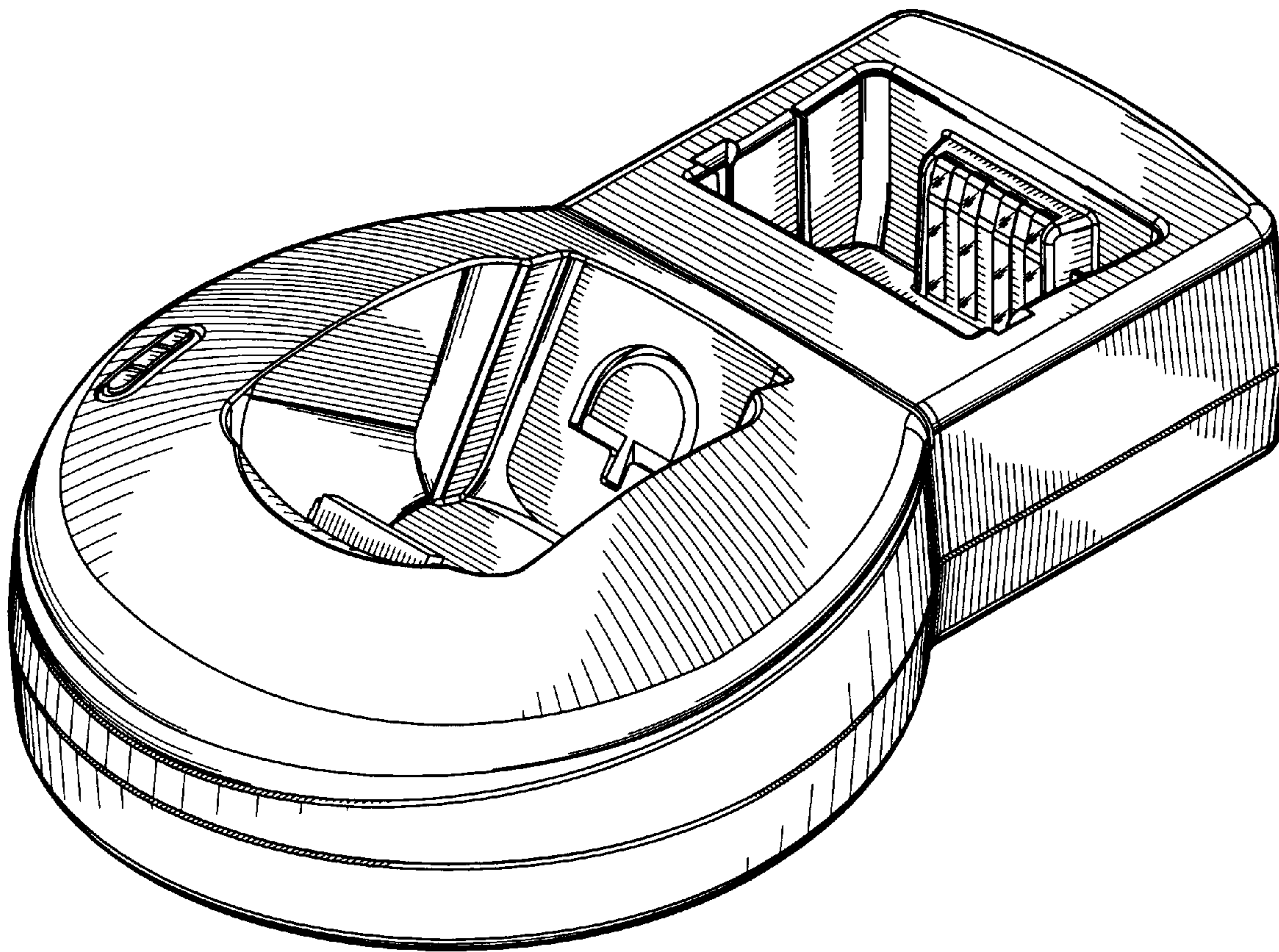
FIG. 1 is a front, top, and right side perspective view of a battery charger;  
FIG. 2 is a right side elevation view of the battery charger of FIG. 1 ;  
FIG. 3 is a top plan view of the battery charger of FIG. 1 ;  
FIG. 4 is a rear elevation view of the battery charger of FIG. 1 ;  
FIG. 5 is a front elevation view of the battery charger of FIG. 1 ;  
FIG. 6 is a left side elevation view of the battery charger of FIG. 1 ; and,  
FIG. 7 is a bottom plan view of the battery charger of FIG. 1 .

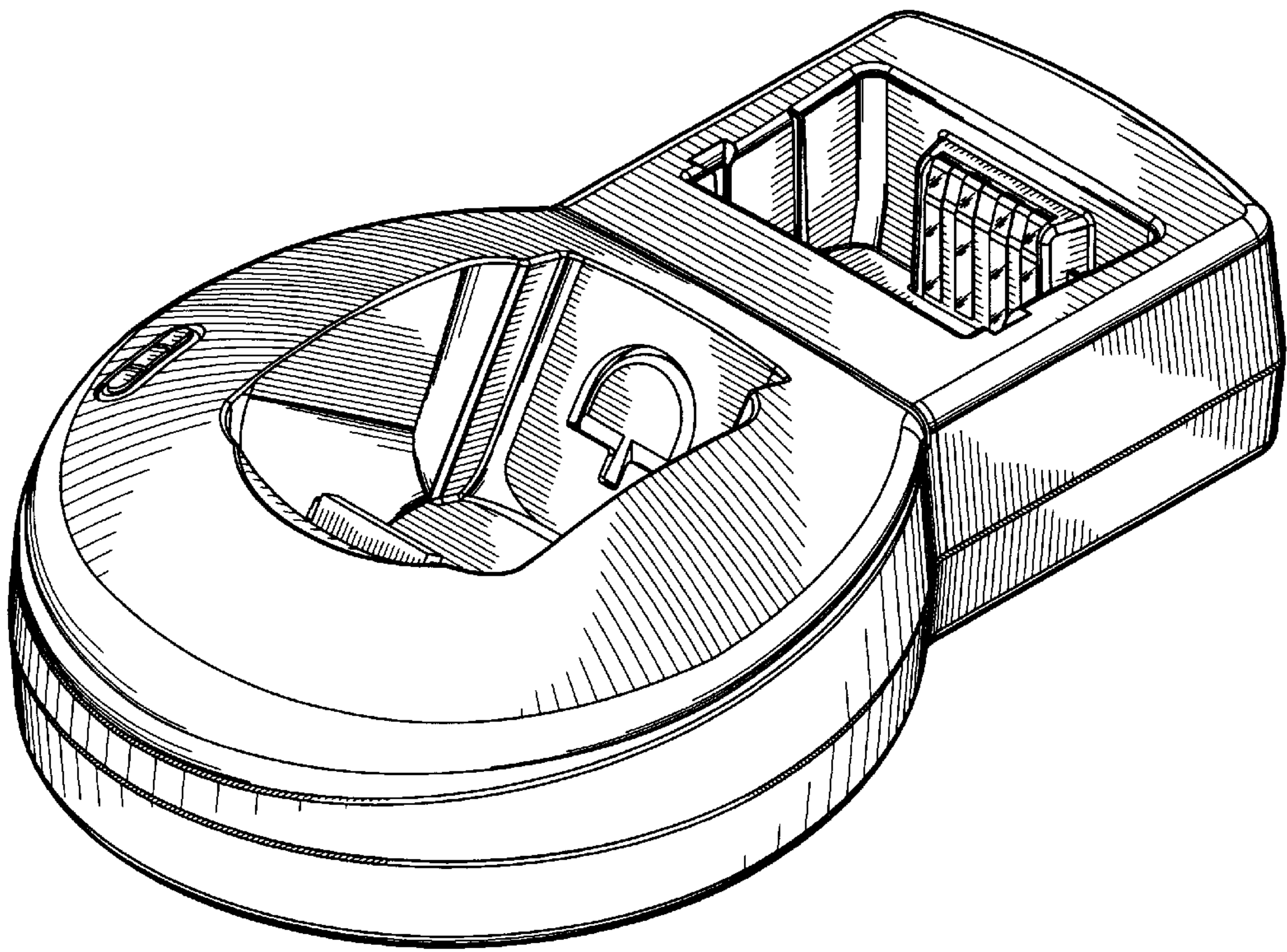
[56] **References Cited**

**U.S. PATENT DOCUMENTS**

D. 258,364	2/1981	Siddoway	.....	D13/108
D. 361,979	9/1995	Shirakawa et al.	.....	D13/108
D. 394,423	5/1998	Nagele et al.	.....	D13/107
5,656,914	8/1997	Nagele et al.	.....	320/2

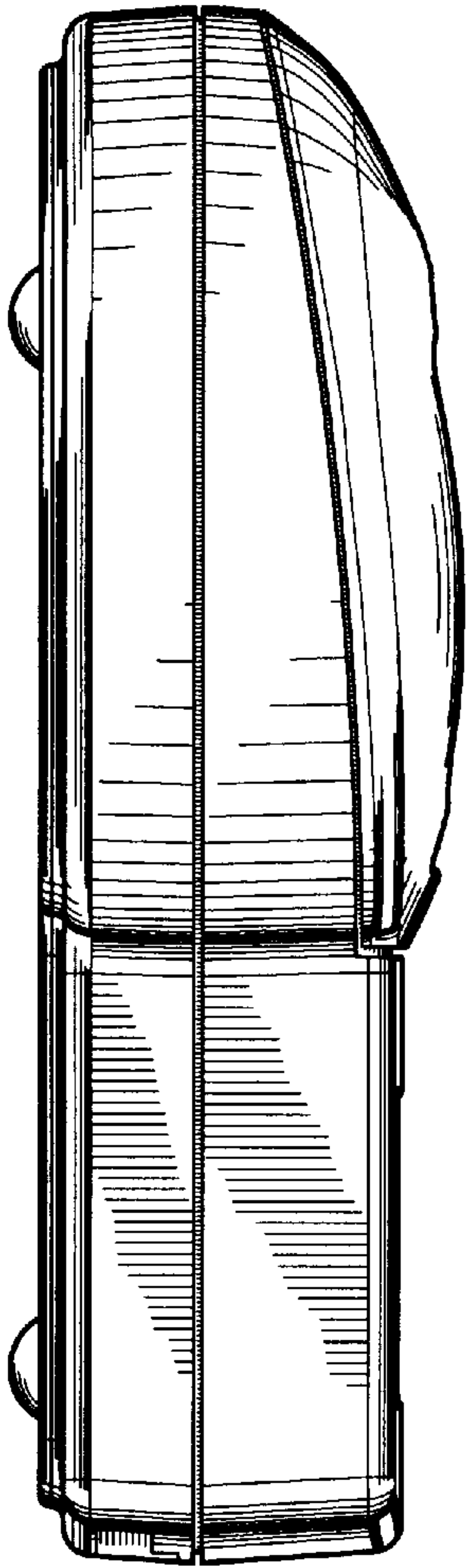
**1 Claim, 3 Drawing Sheets**



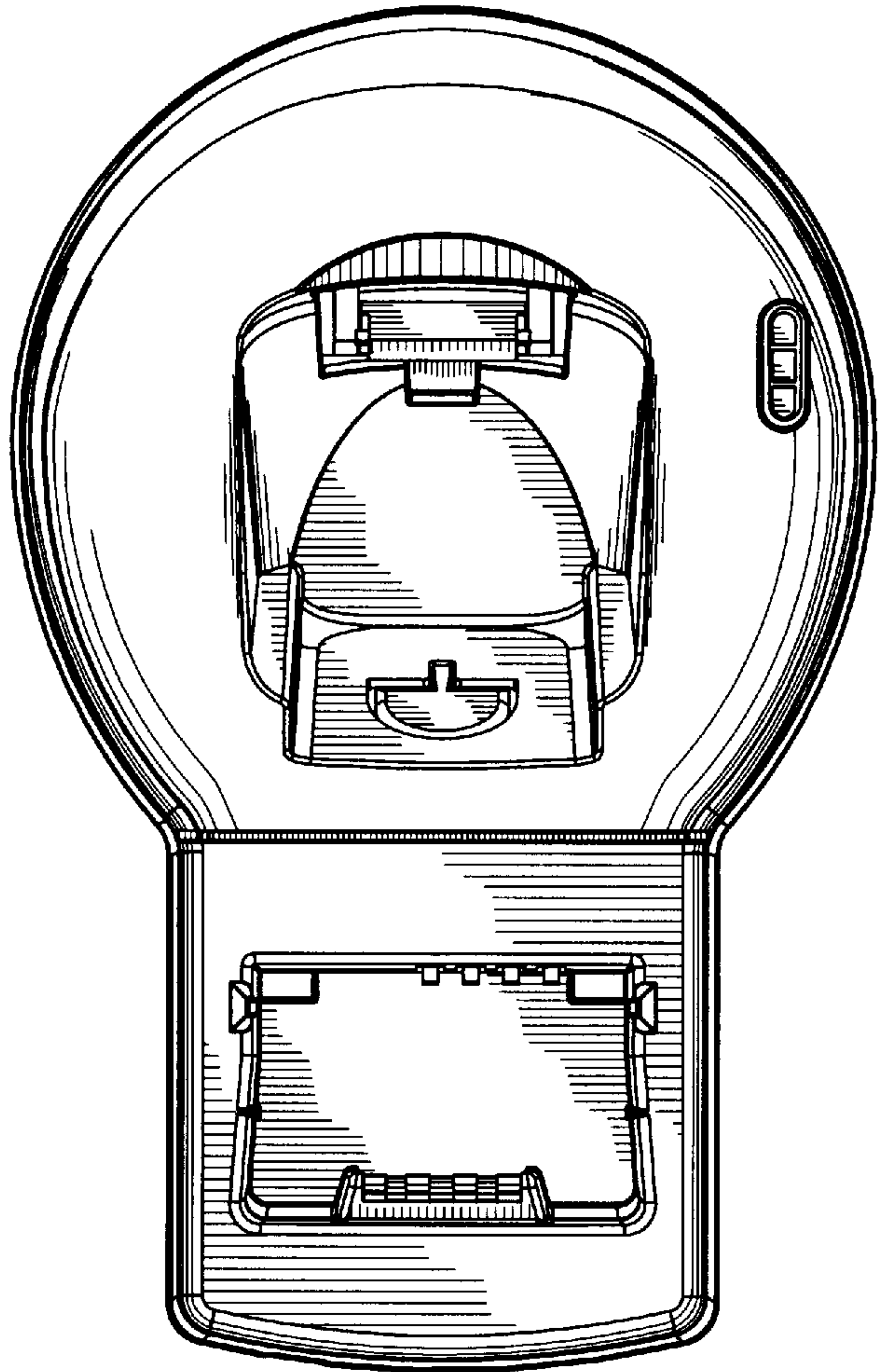


*FIG. 1*

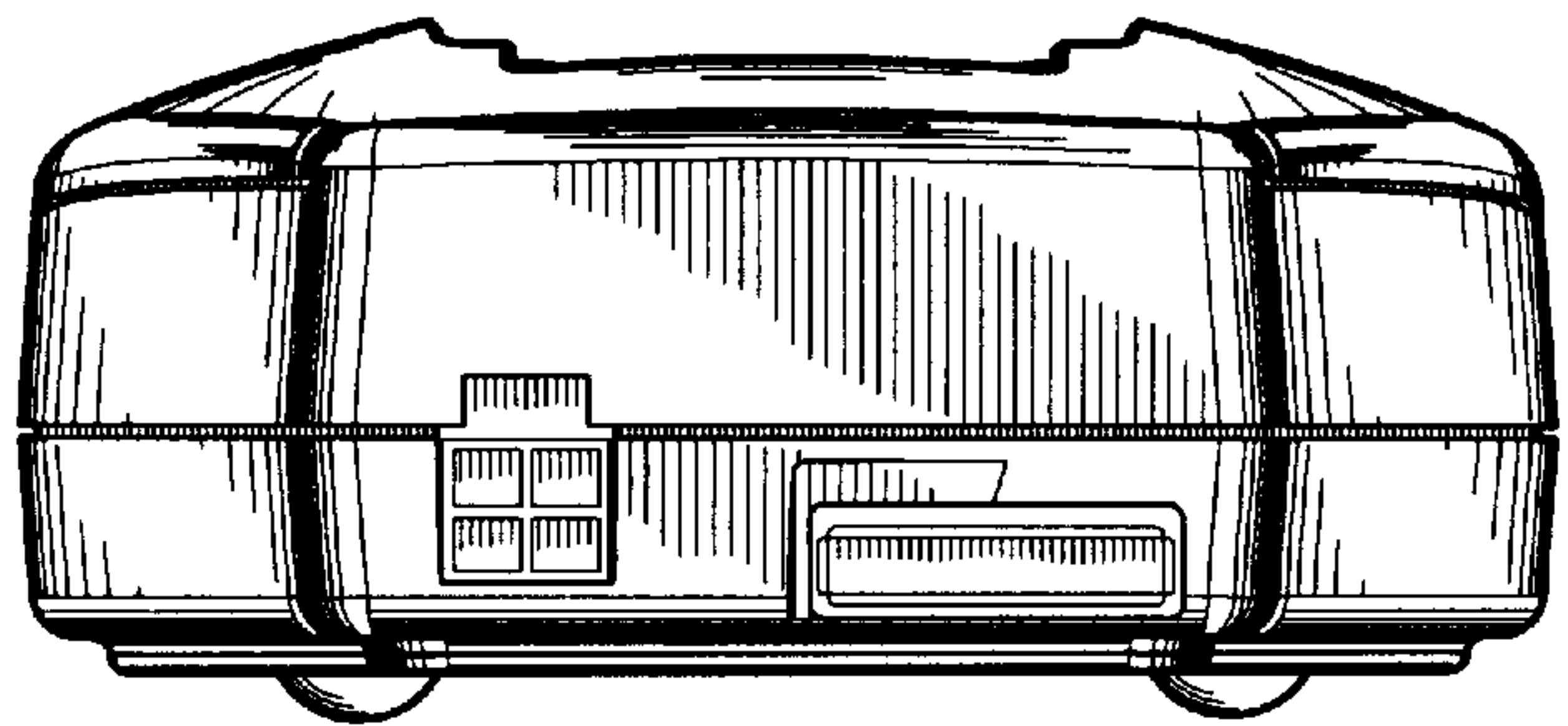




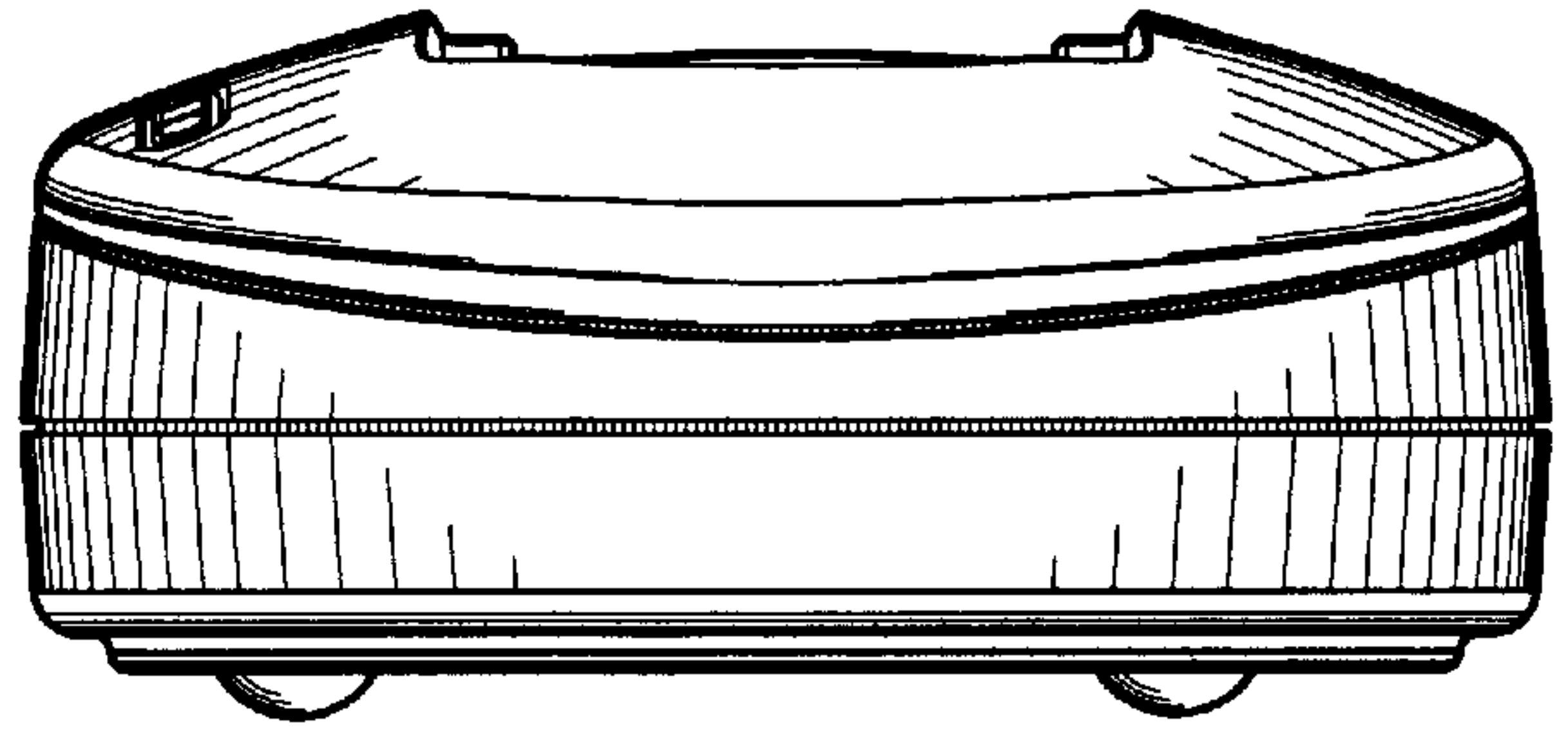
*FIG. 2*



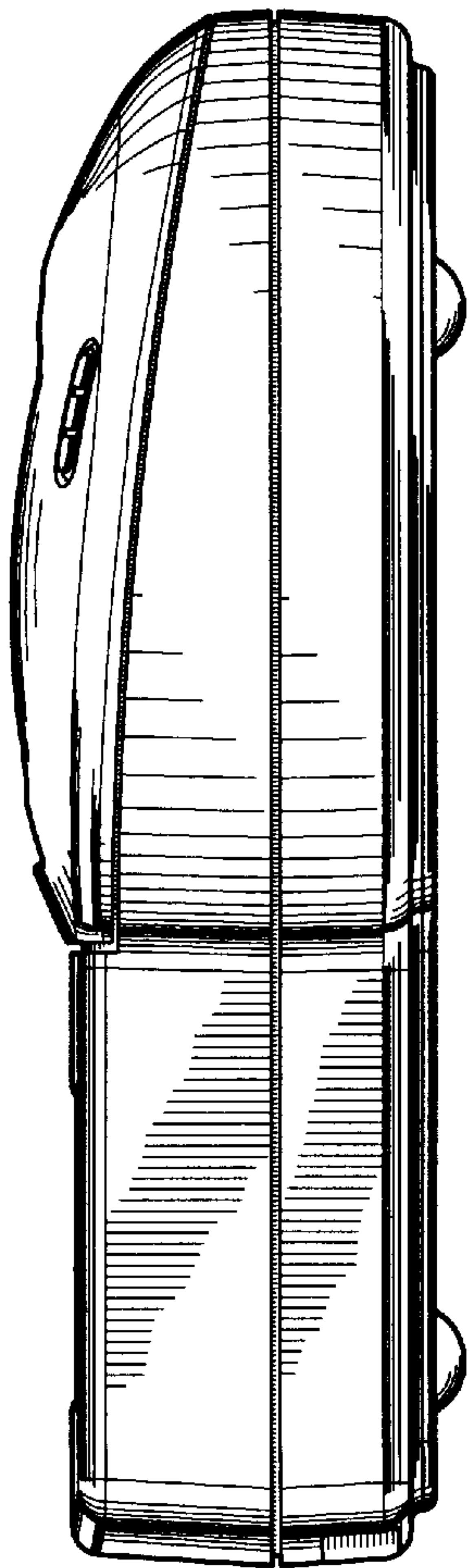
*FIG. 3*



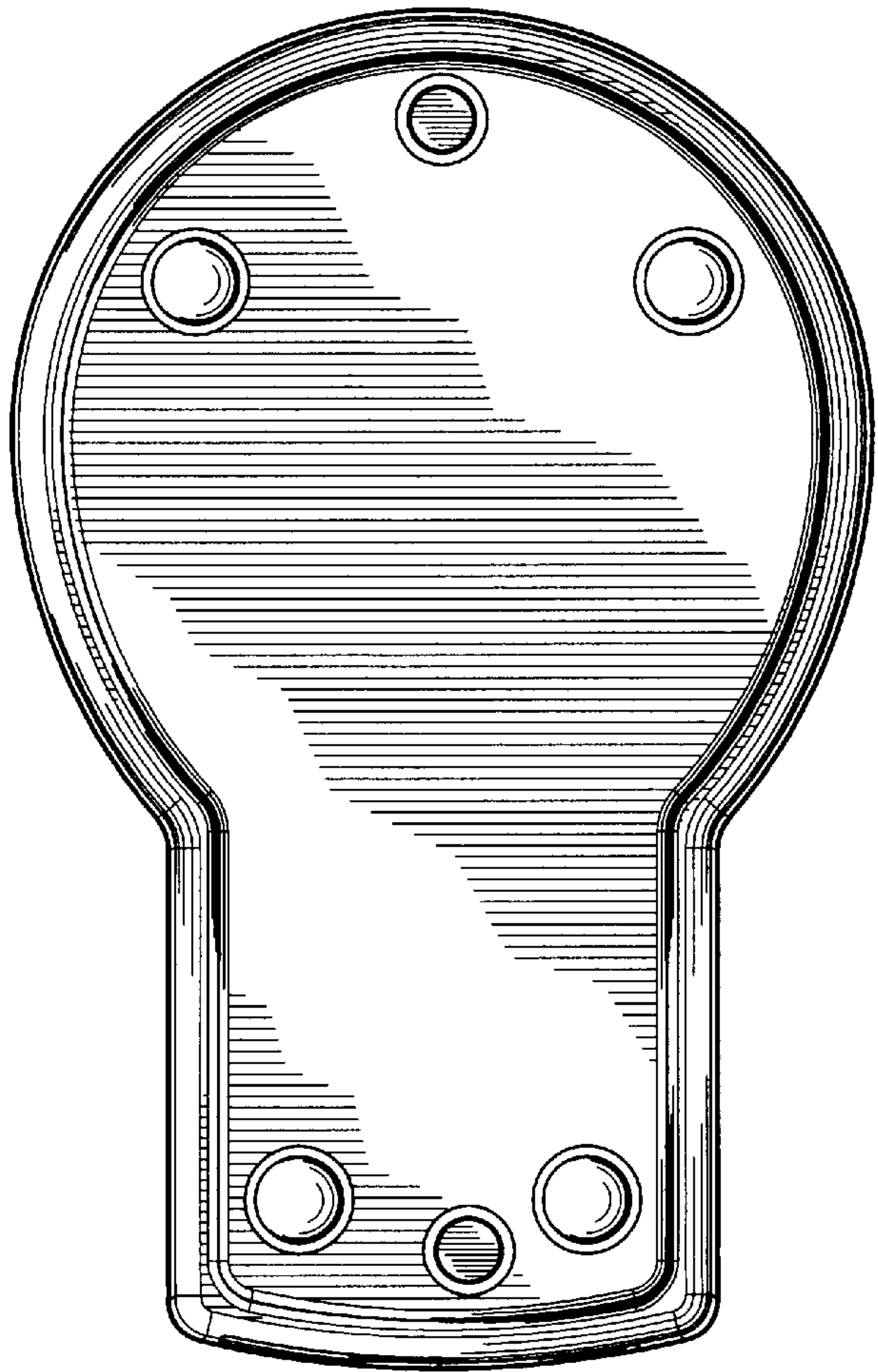
*FIG. 4*



*FIG. 5*



*FIG. 6*



*FIG. 7*