



US00D411503S

United States Patent [19]
Lee

[11] **Patent Number: Des. 411,503**
[45] **Date of Patent: ** Jun. 29, 1999**

[54] **WINDSHIELD WIPER FRAME CONNECTOR**

[76] Inventor: **Albert Lee**, 232 Margate Rd.,
Timonium, Md. 21093

[**] Term: **14 Years**

[21] Appl. No.: **29/064,458**

[22] Filed: **Jan. 2, 1997**

[51] **LOC (6) Cl.** **12-16**

[52] **U.S. Cl.** **D12/220**

[58] **Field of Search** D12/220, 219;
15/250.05-250.07, 250.31-250.33, 250.351,
250.361, 250.38, 250.4-250.41, 250.42

[56] **References Cited**

U.S. PATENT DOCUMENTS

D. 353,359	12/1994	Lee	D12/220
D. 357,891	5/1995	Lee	D12/220
4,114,227	9/1978	Blackman	15/250.32
4,308,635	1/1982	Maiocco	15/250.32
4,348,782	9/1982	Fournier	15/250.32
4,949,422	8/1990	Bauer et al.	15/250.32
5,289,608	3/1994	Kim	15/250.32

5,332,328	7/1994	Yang	15/250.32
5,392,487	2/1995	Yang	15/250.32
5,606,765	3/1997	Ding	15/250.32
5,632,059	5/1997	Lee	15/250.32

Primary Examiner—Doris V. Coles
Assistant Examiner—Stacia Sinuik
Attorney, Agent, or Firm—Birch, Stewart, Kolasch & Birch,
LLP

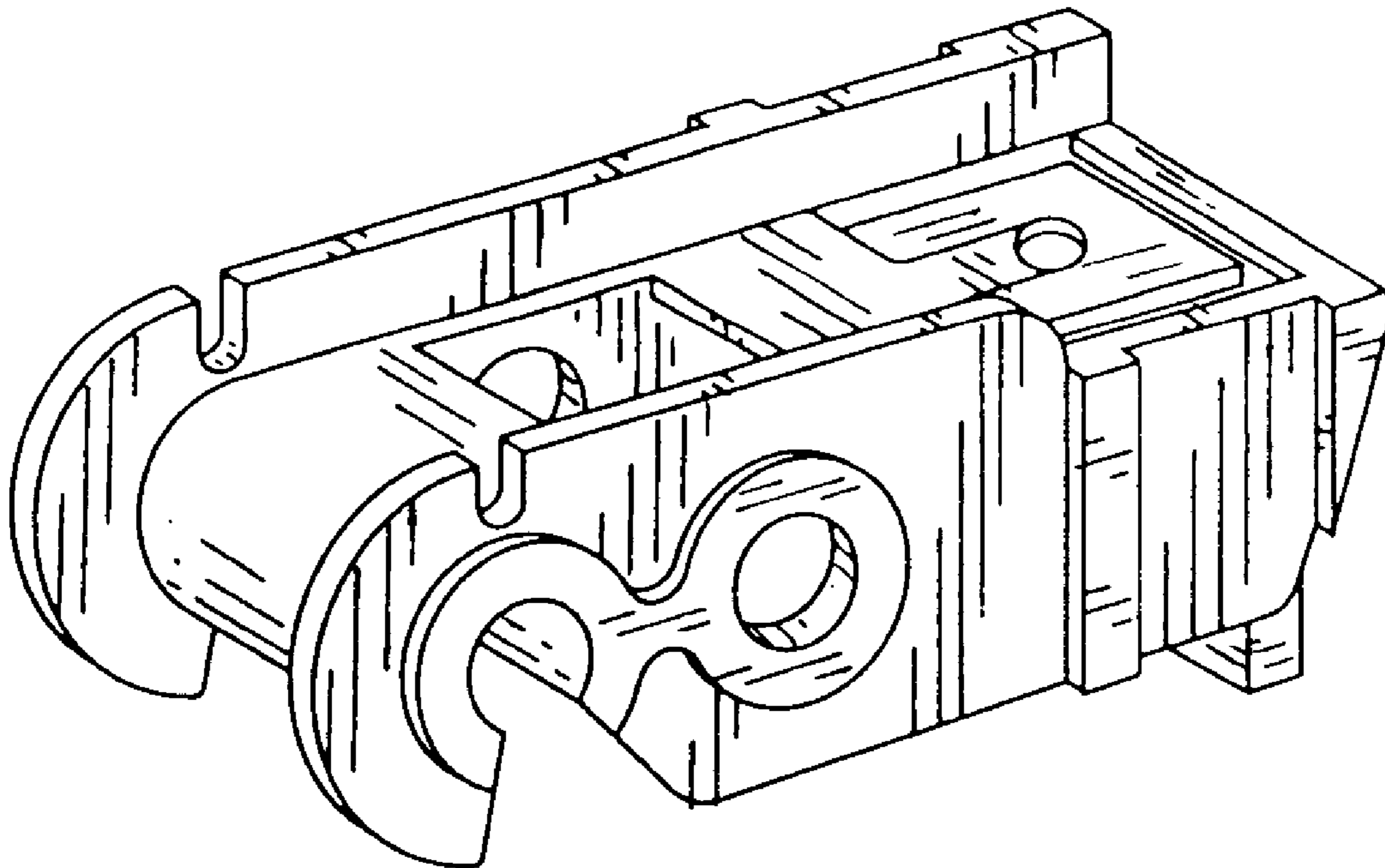
[57] **CLAIM**

The ornamental design for a windshield wiper frame connector, as shown and described.

DESCRIPTION

FIG. 1 is a perspective view of a windshield wiper frame connector showing my new design;
FIG. 2 is a top plan view thereof;
FIG. 3 is a bottom plan view thereof;
FIG. 4 is a left end elevational view thereof;
FIG. 5 is a right end elevational view thereof; and
FIG. 6 is a left side view of FIG. 1; and,
FIG. 7 is a right side view of FIG. 1.

1 Claim, 1 Drawing Sheet



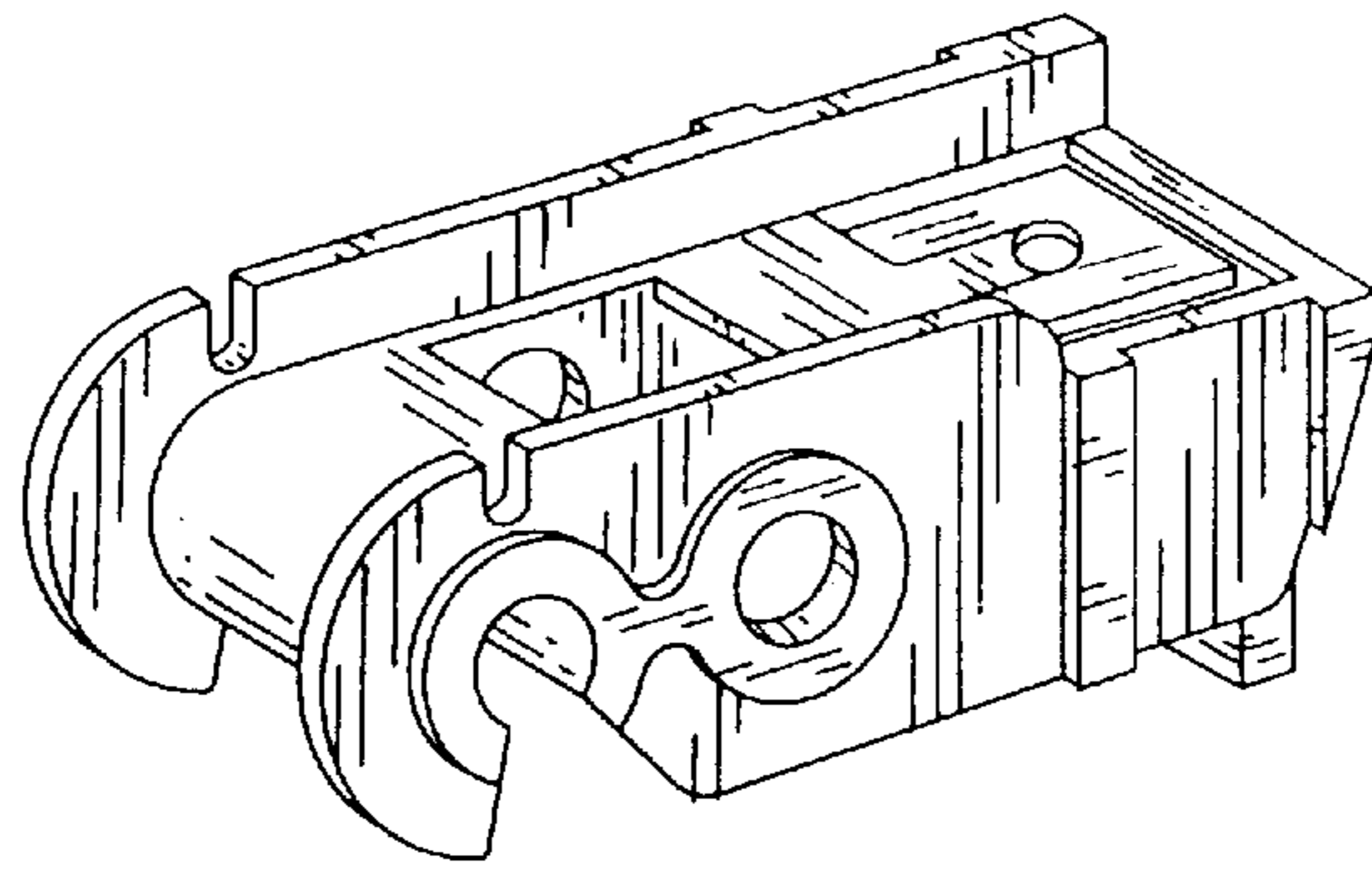


FIG. 1

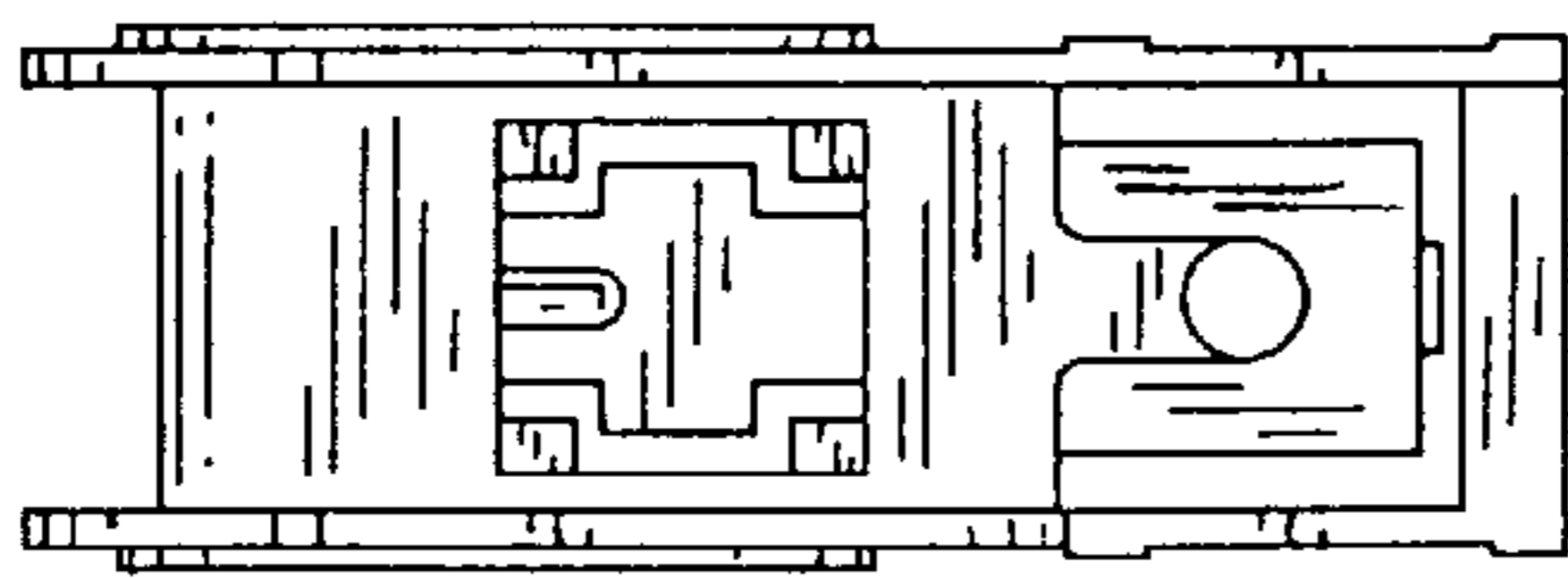


FIG. 2

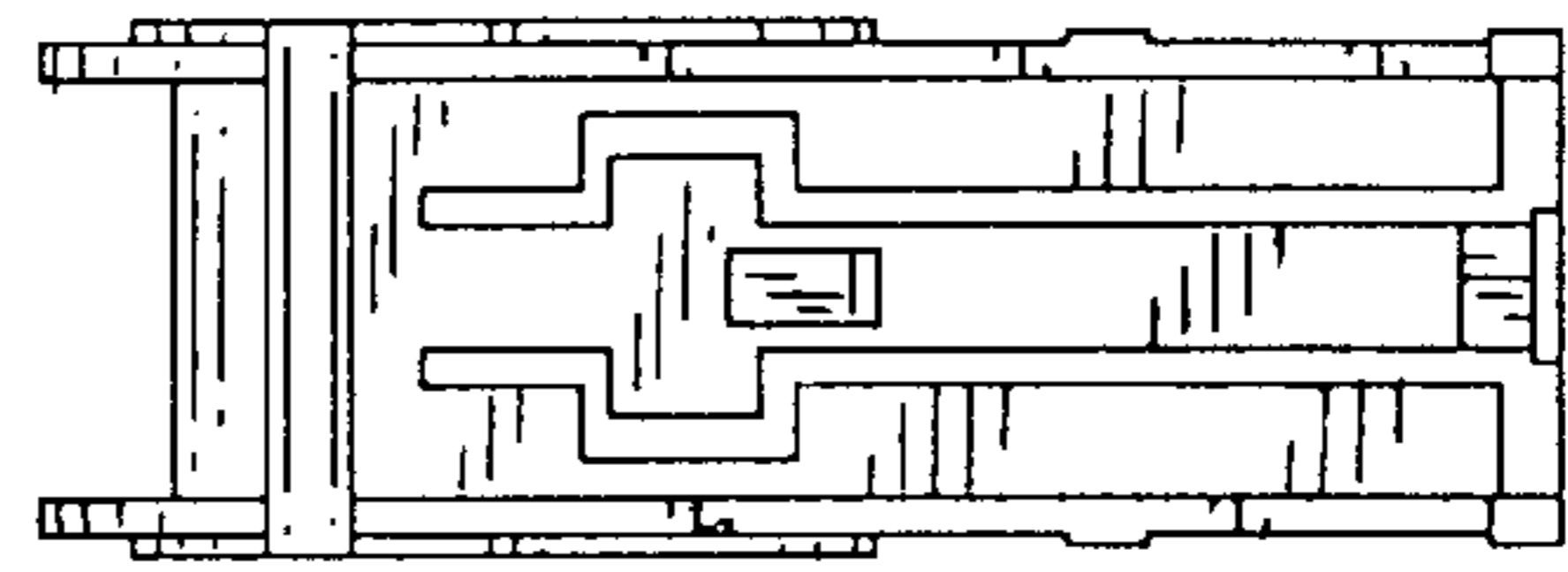


FIG. 3

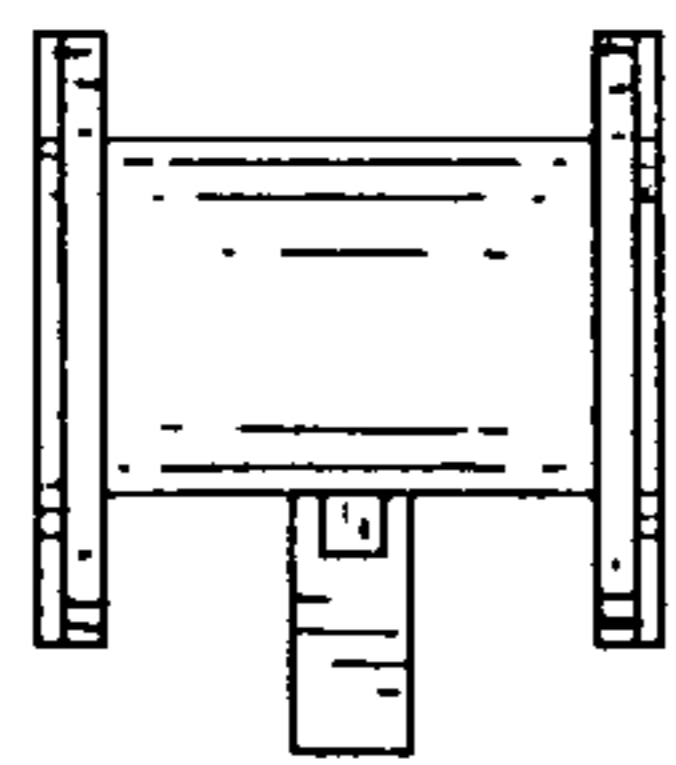


FIG. 4

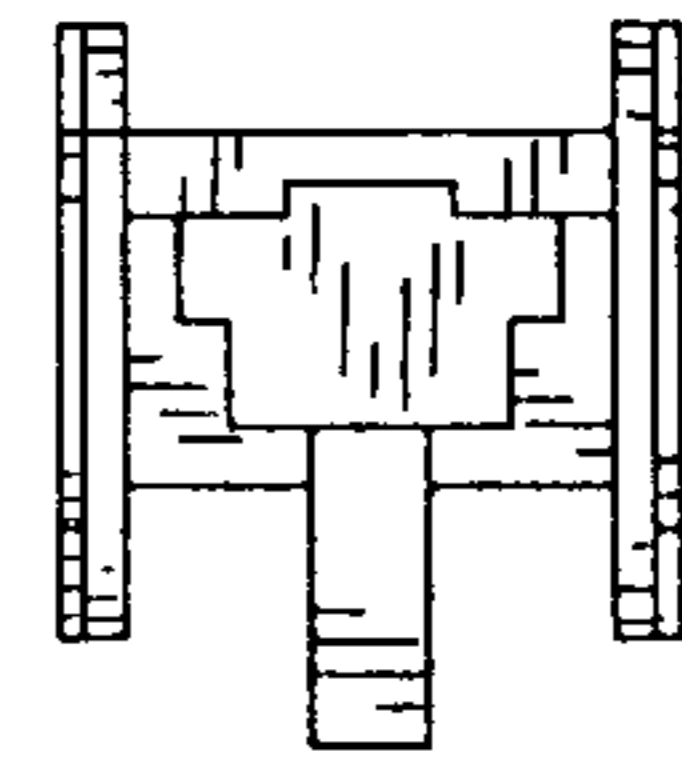


FIG. 5

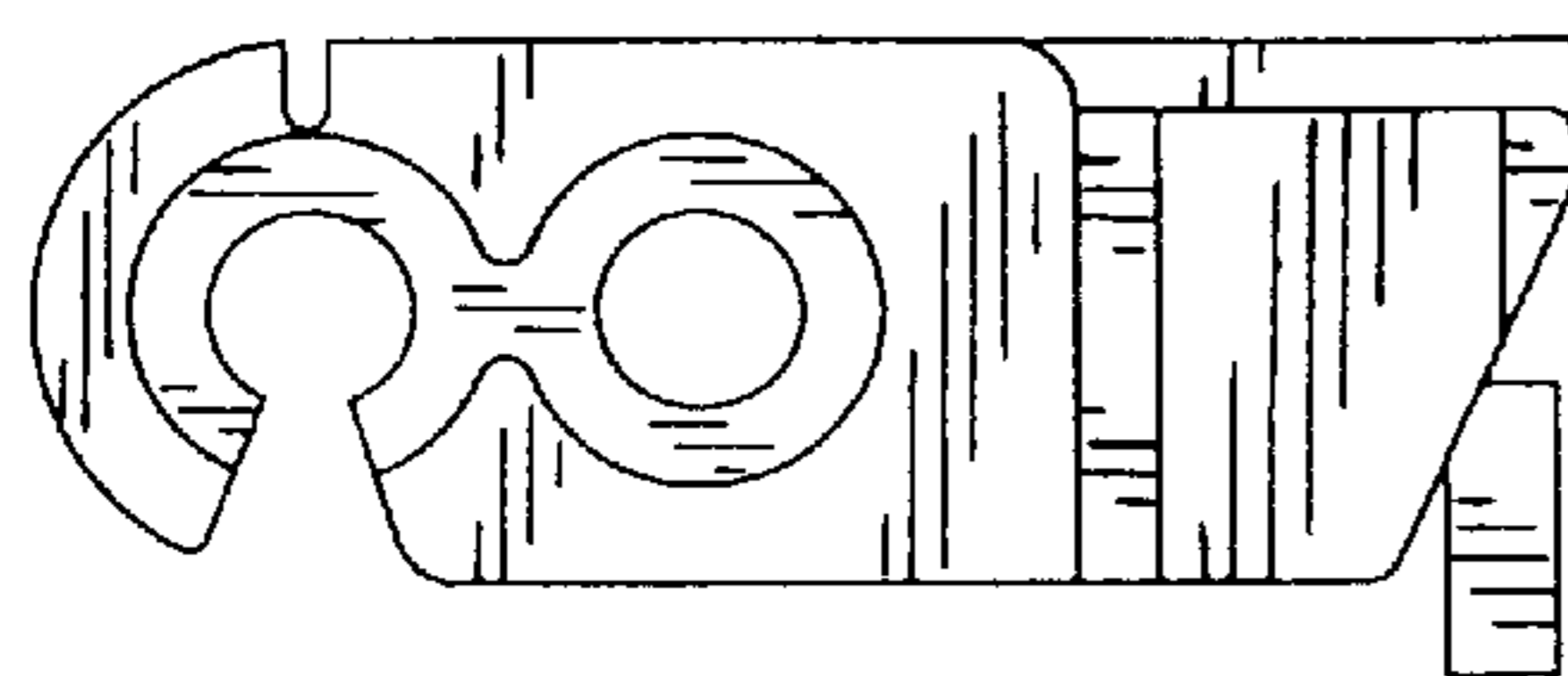


FIG. 6

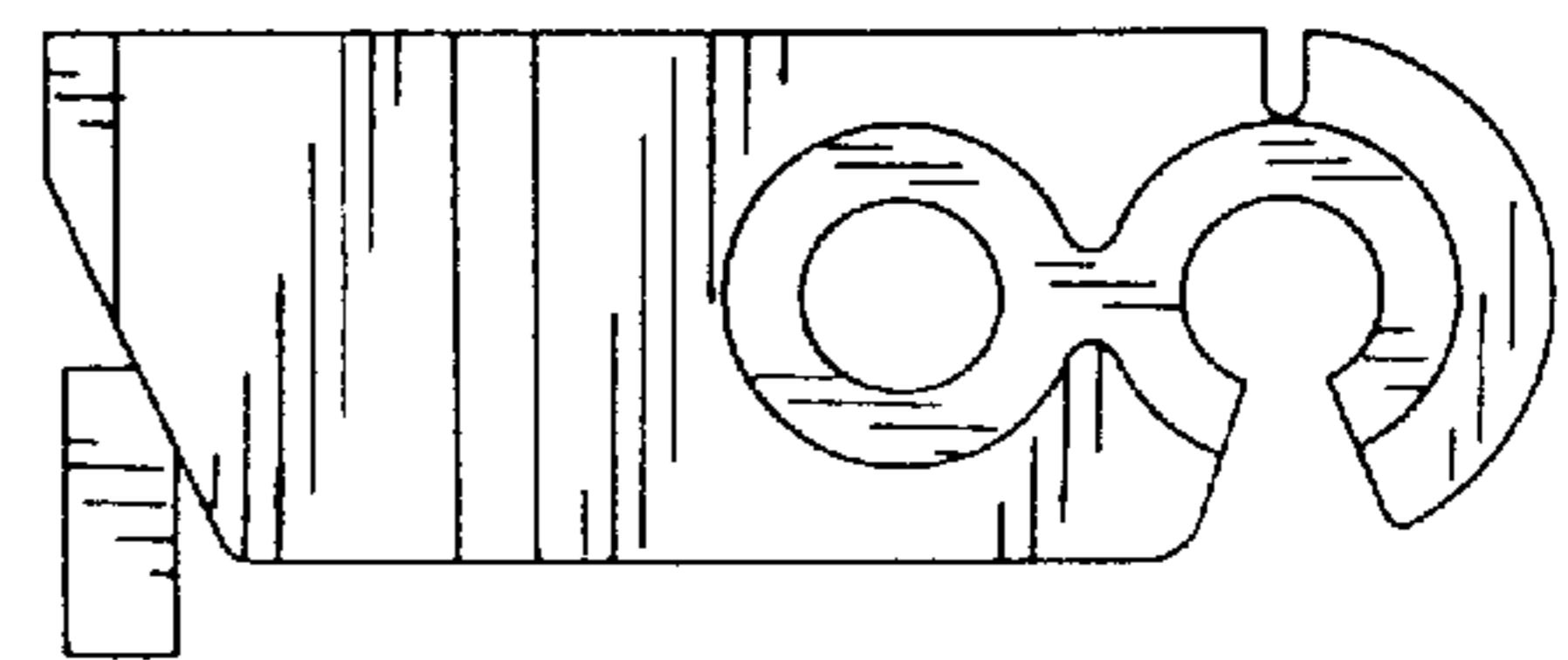


FIG. 7