



US00D411502S

United States Patent [19]
Chung

[11] **Patent Number: Des. 411,502**

[45] **Date of Patent: ** Jun. 29, 1999**

[54] **AUTOMOTIVE WHEEL**

[76] **Inventor: Suny Chung, 230 Garfield Ave.,
Placentia, Calif. 92870**

[**] **Term: 14 Years**

[21] **Appl. No.: 29/098,039**

[22] **Filed: Dec. 21, 1998**

[51] **LOC (6) Cl. 12-16**

[52] **U.S. Cl. D12/211; 12/16**

[58] **Field of Search D12/204-213;
301/64.1, 65, 37.1**

D. 363,910	11/1995	Chung	D12/209
D. 375,075	10/1996	Kugler	D12/209
D. 388,045	12/1997	Sakagami et al.	D12/209
D. 388,047	12/1997	Pfeiffer et al.	D12/211
D. 393,825	4/1998	Fike	D12/209
D. 396,441	7/1998	Nishida	D12/209
D. 402,951	12/1998	Wechner	D12/211

Primary Examiner—Doris V. Coles
Attorney, Agent, or Firm—G. Davies Weber, Jr.

[57] **CLAIM**

The ornamental design for an automotive wheel, as shown and described.

DESCRIPTION

FIG. 1 is a perspective view of an automotive wheel, showing my new design; and, FIG. 2 is a front view thereof.

The broken line showing of environment is for illustrative purposes only and forms no part of the claimed design.

1 Claim, 1 Drawing Sheet

[56] **References Cited**

U.S. PATENT DOCUMENTS

D. 44,318	7/1913	Moore	D12/211
D. 84,318	6/1931	Beutke et al.	D12/211
D. 337,563	7/1993	Boselli	D12/209
D. 339,561	9/1993	Maiworm et al.	D12/211
D. 344,924	3/1994	Braungart et. al.	D12/211

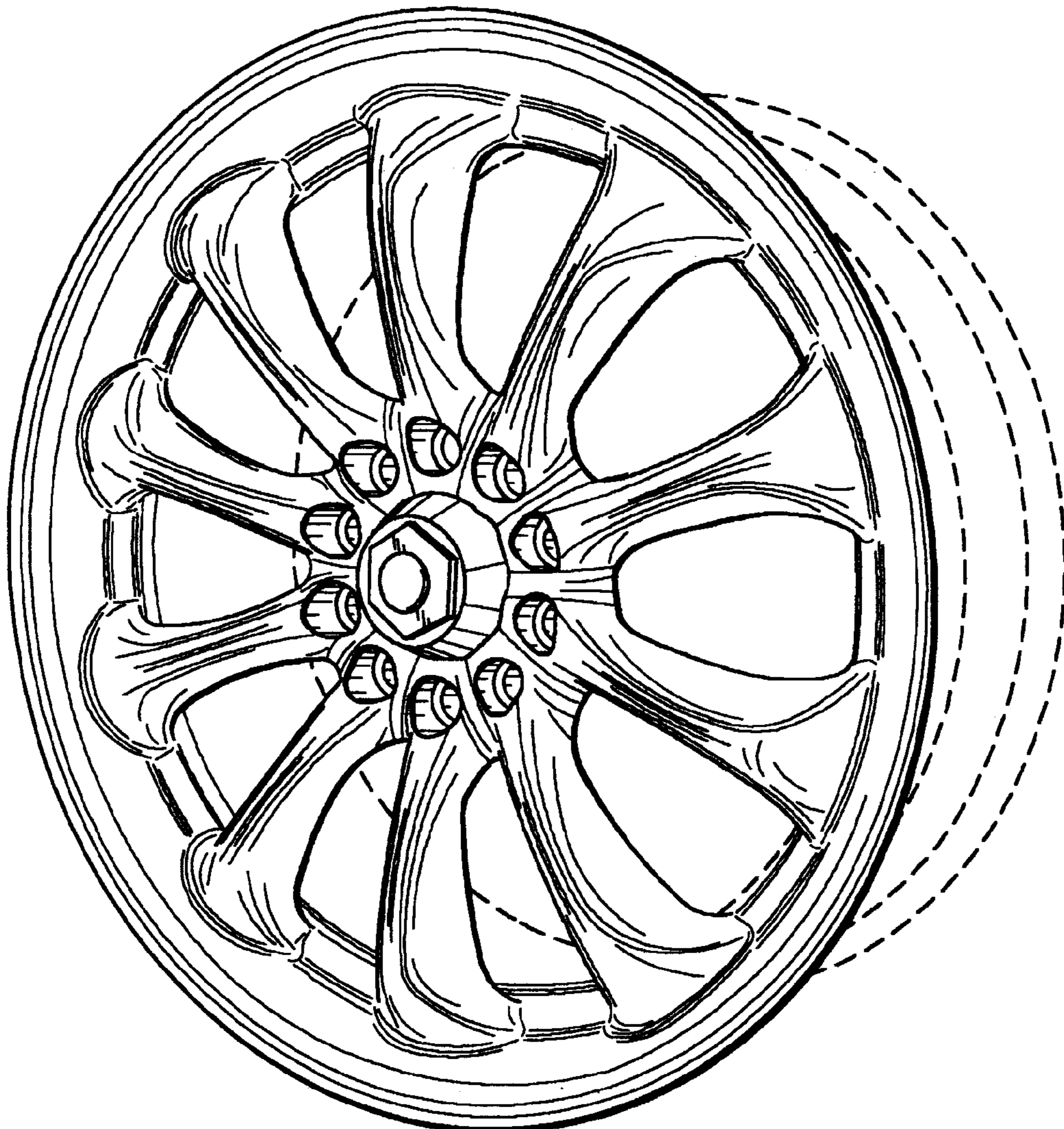


FIG. 1

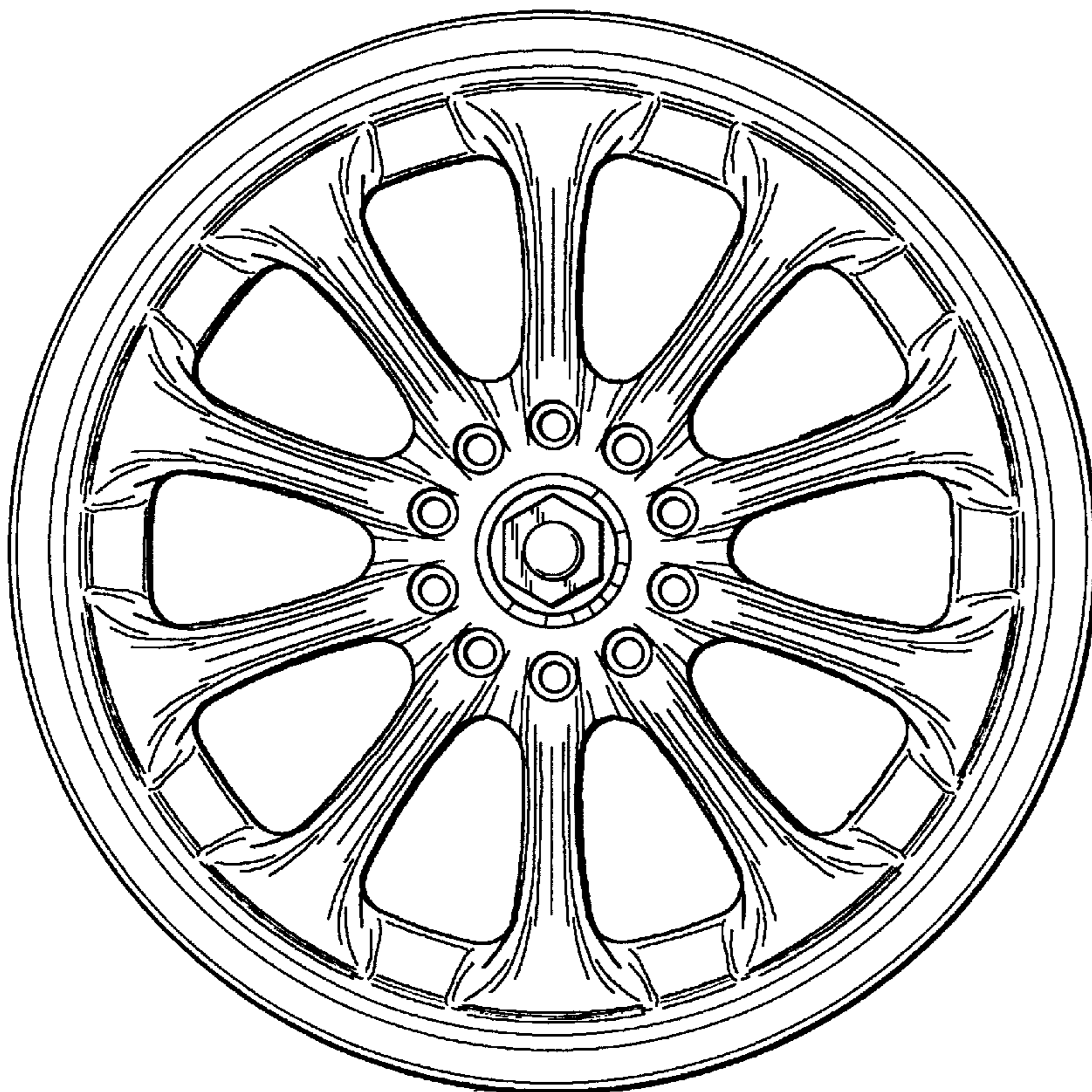
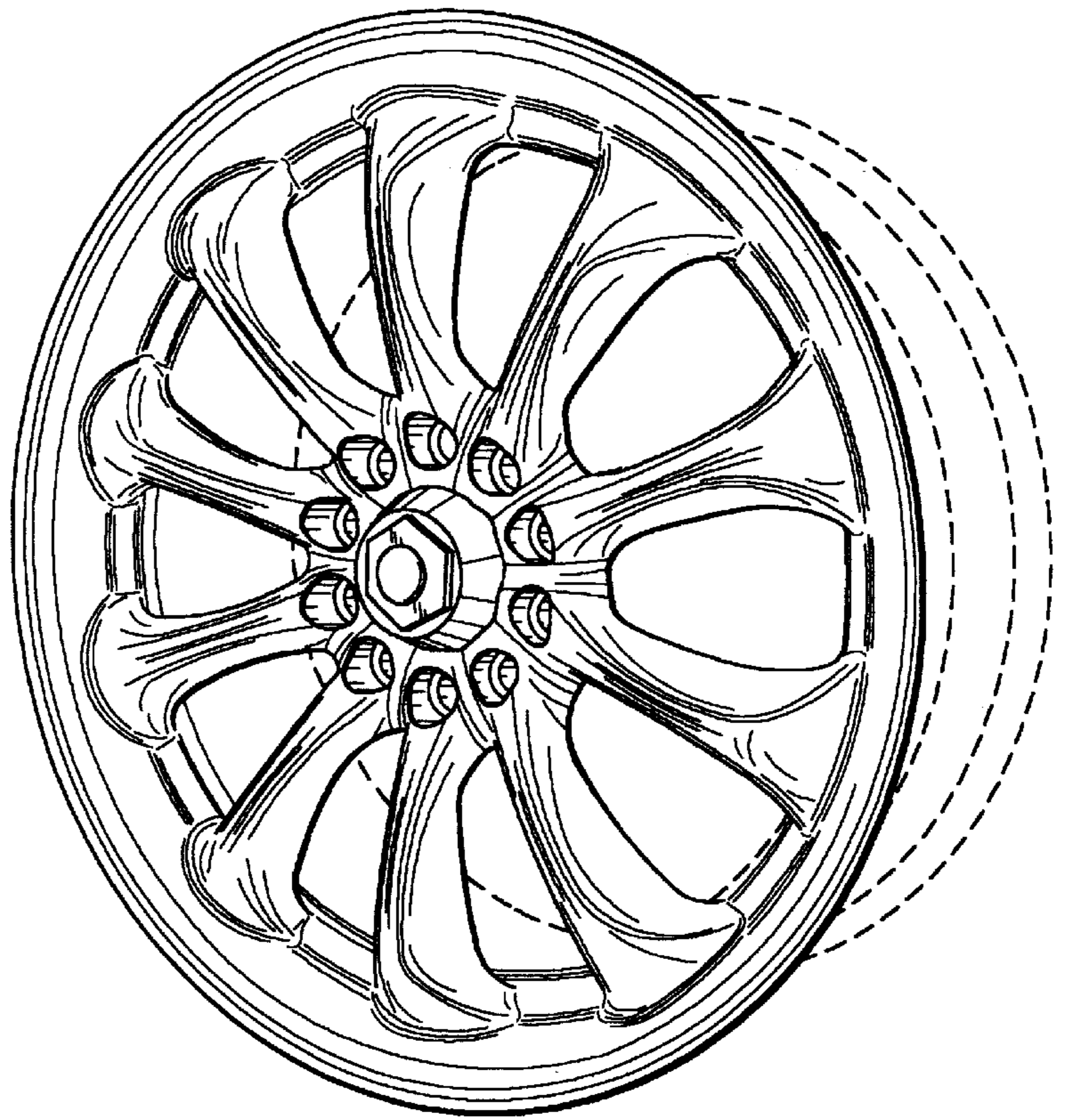


FIG. 2