



US00D411500S

# United States Patent [19] Steinhagen

[11] **Patent Number: Des. 411,500**

[45] **Date of Patent: \*\* Jun. 29, 1999**

[54] **LICENSE PLATE FRAME**

[75] **Inventor: Thomas R. Steinhagen**, West Des Moines, Iowa

[73] **Assignee: Cobbs Manufacturing Company**, Des Moines, Iowa

[\*\*] **Term: 14 Years**

[21] **Appl. No.: 29/097,385**

[22] **Filed: Dec. 4, 1998**

[51] **LOC (6) Cl. .... 12-16**

[52] **U.S. Cl. .... D12/193**

[58] **Field of Search** ..... D12/193; D6/300-303, D6/310; D20/13, 35; D11/99, 133; 40/200-203, 209-210

[56] **References Cited**

**U.S. PATENT DOCUMENTS**

- D. 285,784 9/1986 Langensiepen ..... D12/193
- D. 359,262 6/1995 Shusterman ..... D12/193

- D. 377,161 1/1997 Shuen ..... D12/193
- D. 383,720 9/1997 Spencer ..... D12/193
- D. 384,627 10/1997 Clark et al. .... D12/193
- D. 398,271 9/1998 Wang ..... D12/193

*Primary Examiner*—Doris V. Coles  
*Assistant Examiner*—Stacia Sinuik  
*Attorney, Agent, or Firm*—Dick and Harris

[57] **CLAIM**

The ornamental design for a license plate frame, as shown and described.

**DESCRIPTION**

FIG. 1 is a perspective view of the license plate frame showing a new ornamental design therefor; FIG. 2 is an enlarged front elevation view thereof; FIG. 3 is an enlarged rear elevation view thereof; FIG. 4 is an enlarged top plan view thereof; FIG. 5 is an enlarged bottom plan view thereof; FIG. 6 is an enlarged left side elevational view thereof; and, FIG. 7 is an enlarged right side elevational view thereof.

**1 Claim, 2 Drawing Sheets**

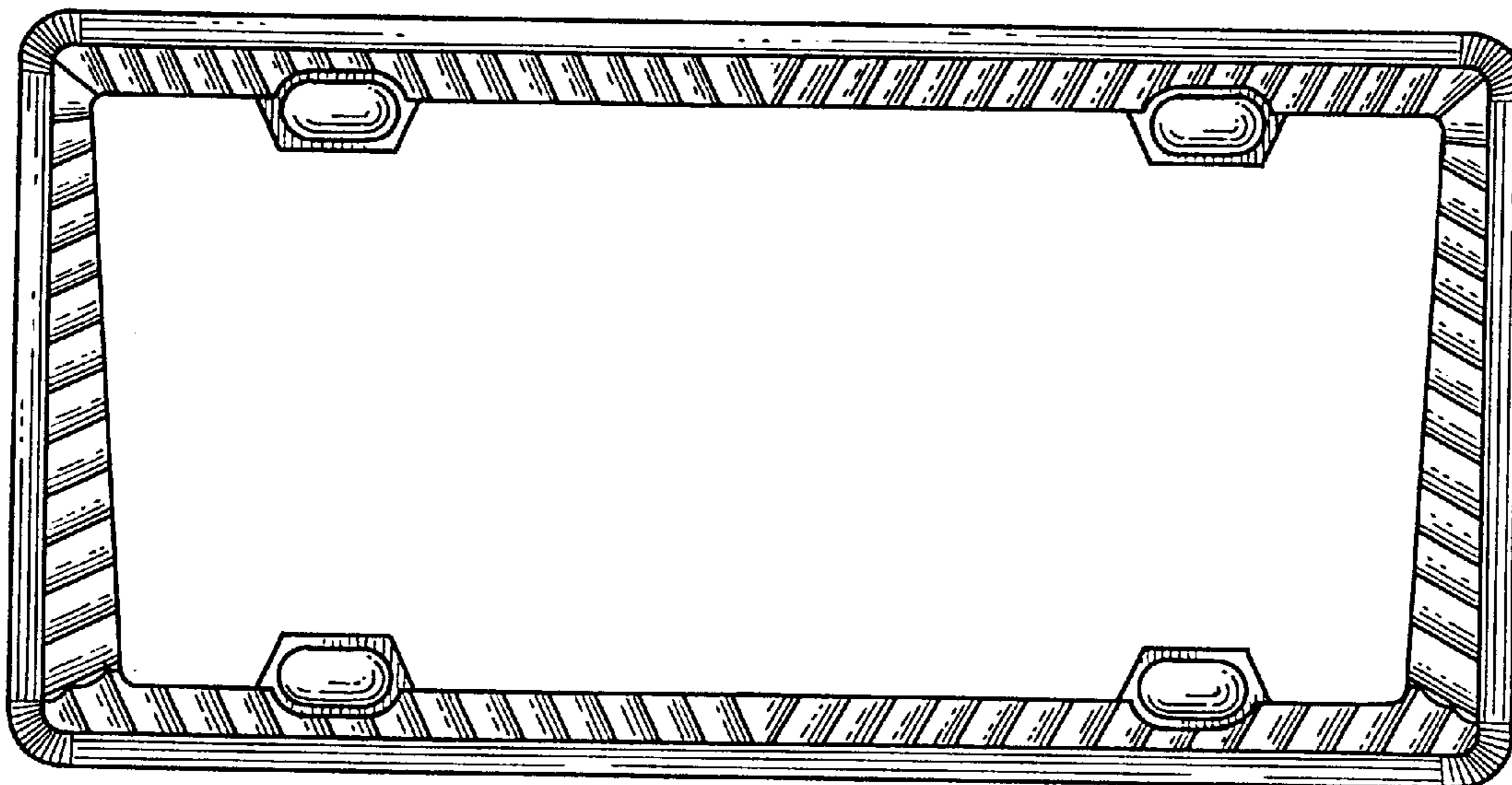


Fig 1

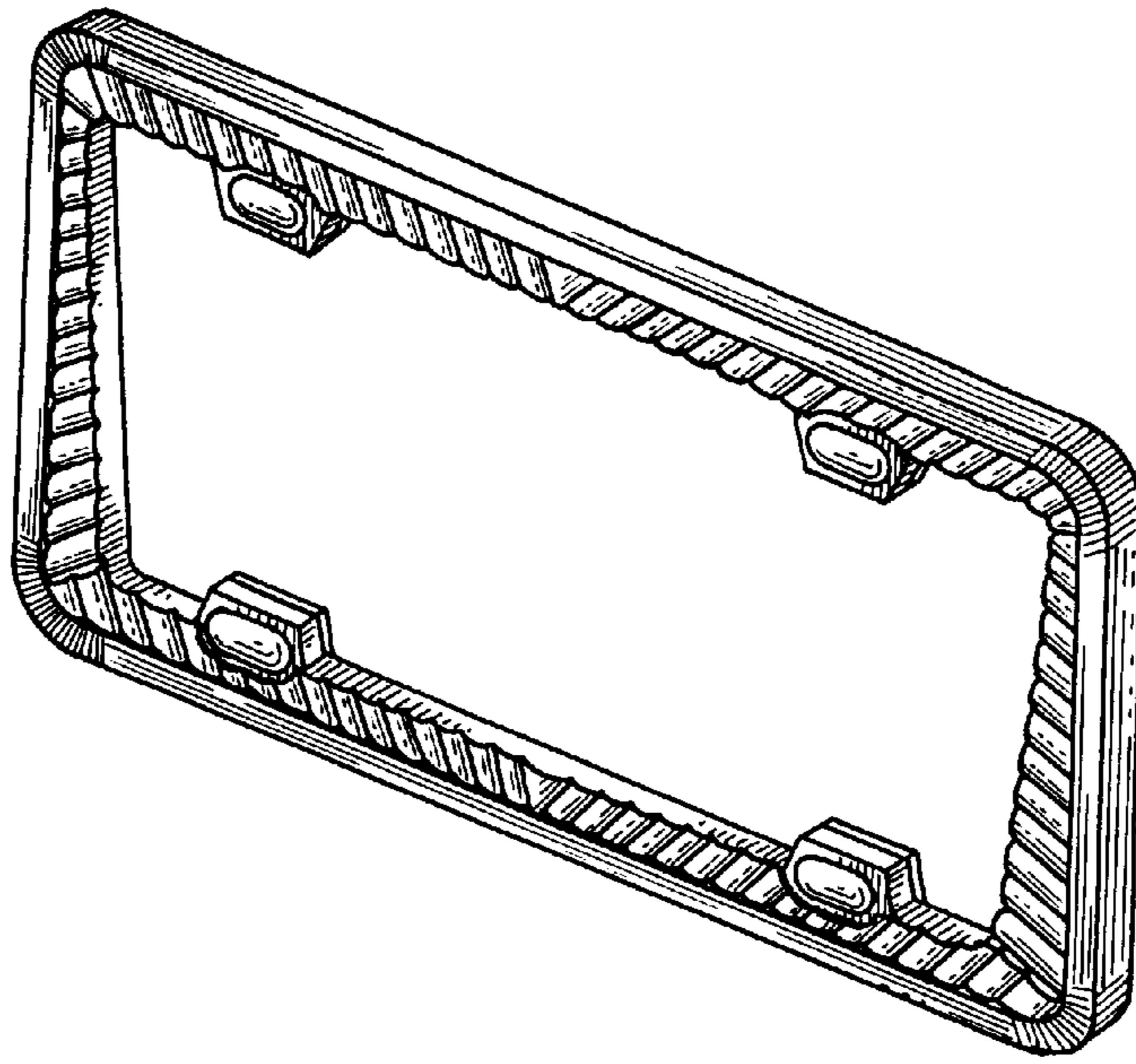


Fig 4

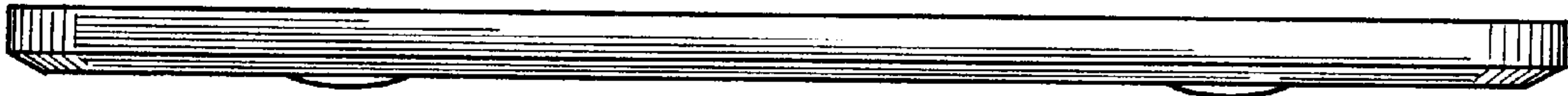


Fig 5

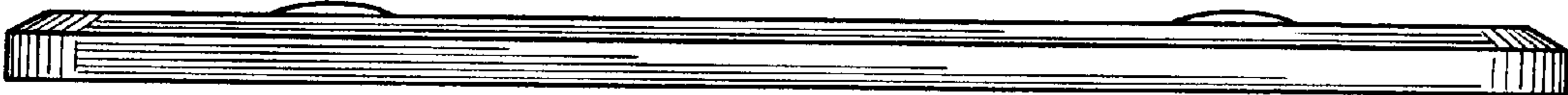


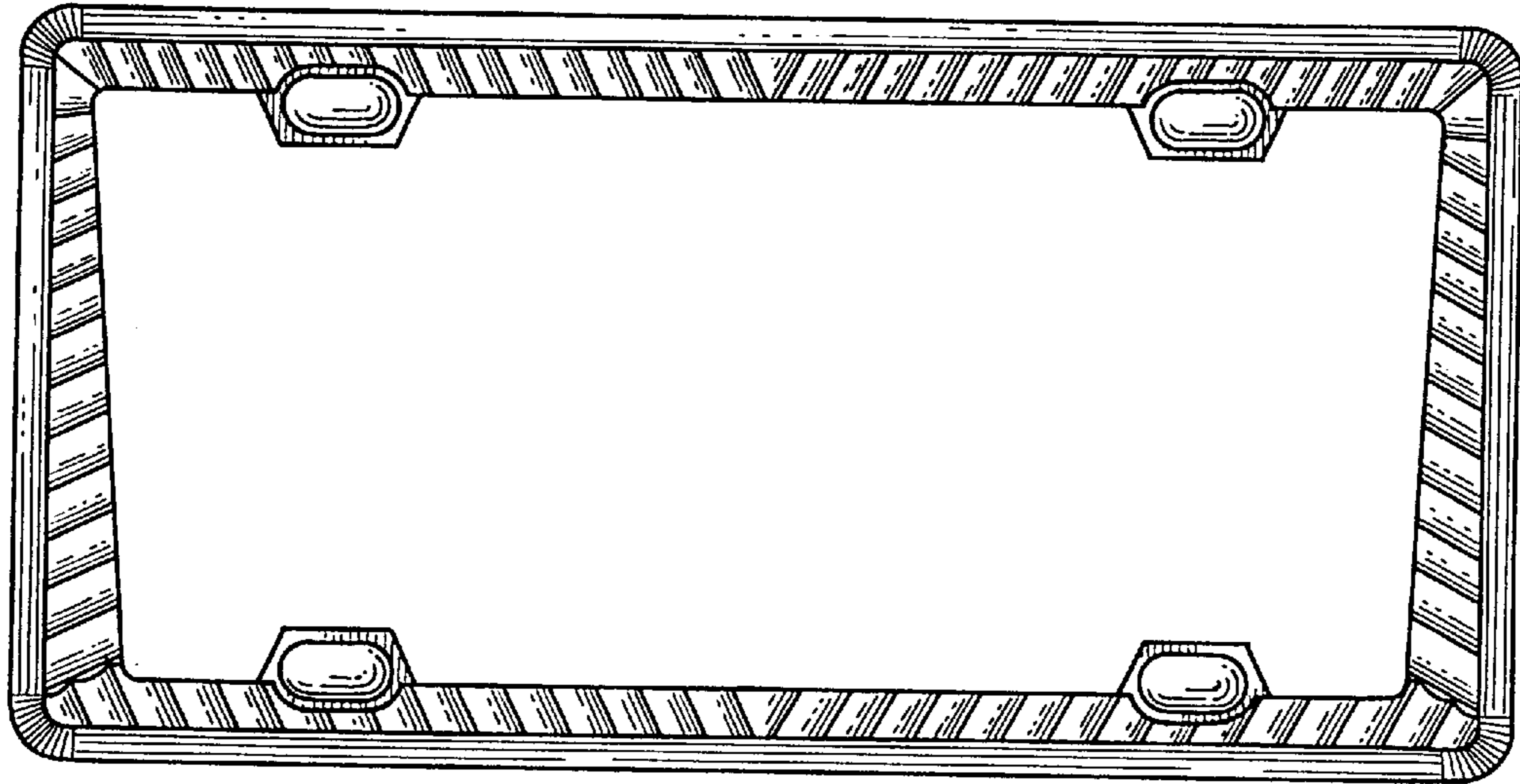
Fig 6



Fig 7



*Fig 2*



*Fig 3*

