



US00D411499S

# United States Patent [19]

Porter

[11] Patent Number: **Des. 411,499**

[45] Date of Patent: **\*\* Jun. 29, 1999**

[54] **BACK-UP SENSOR IN A LICENSE PLATE HOLDER**

[76] Inventor: **William Porter**, 4404 Seashore Dr., Newport Beach, Calif. 92663

[\*\*] Term: **14 Years**

[21] Appl. No.: **29/095,168**

[22] Filed: **Oct. 16, 1998**

[51] **LOC (6) Cl.** ..... **12-16**

[52] **U.S. Cl.** ..... **D12/193**

[58] **Field of Search** ..... D12/193; D6/300-303, D6/310-313; 40/200-204, 209-210; D10/116, 104, 109-110; 116/28 R, 35 R; 340/384.1, 388.1, 391.1

[56] **References Cited**

**U.S. PATENT DOCUMENTS**

- D. 163,328 5/1951 Rothman ..... D12/193
- D. 274,807 7/1984 Stansbury, Jr. et al. .... D12/193

- D. 311,167 10/1990 Ching-Hwei ..... D12/193
- D. 382,240 8/1997 Francis ..... D12/193
- D. 396,439 7/1998 Turnquest ..... D12/193
- 5,012,602 5/1991 Storey ..... 40/201

*Primary Examiner*—Doris V. Coles  
*Assistant Examiner*—Stacia Sinuik  
*Attorney, Agent, or Firm*—Price, Gess & Ubell

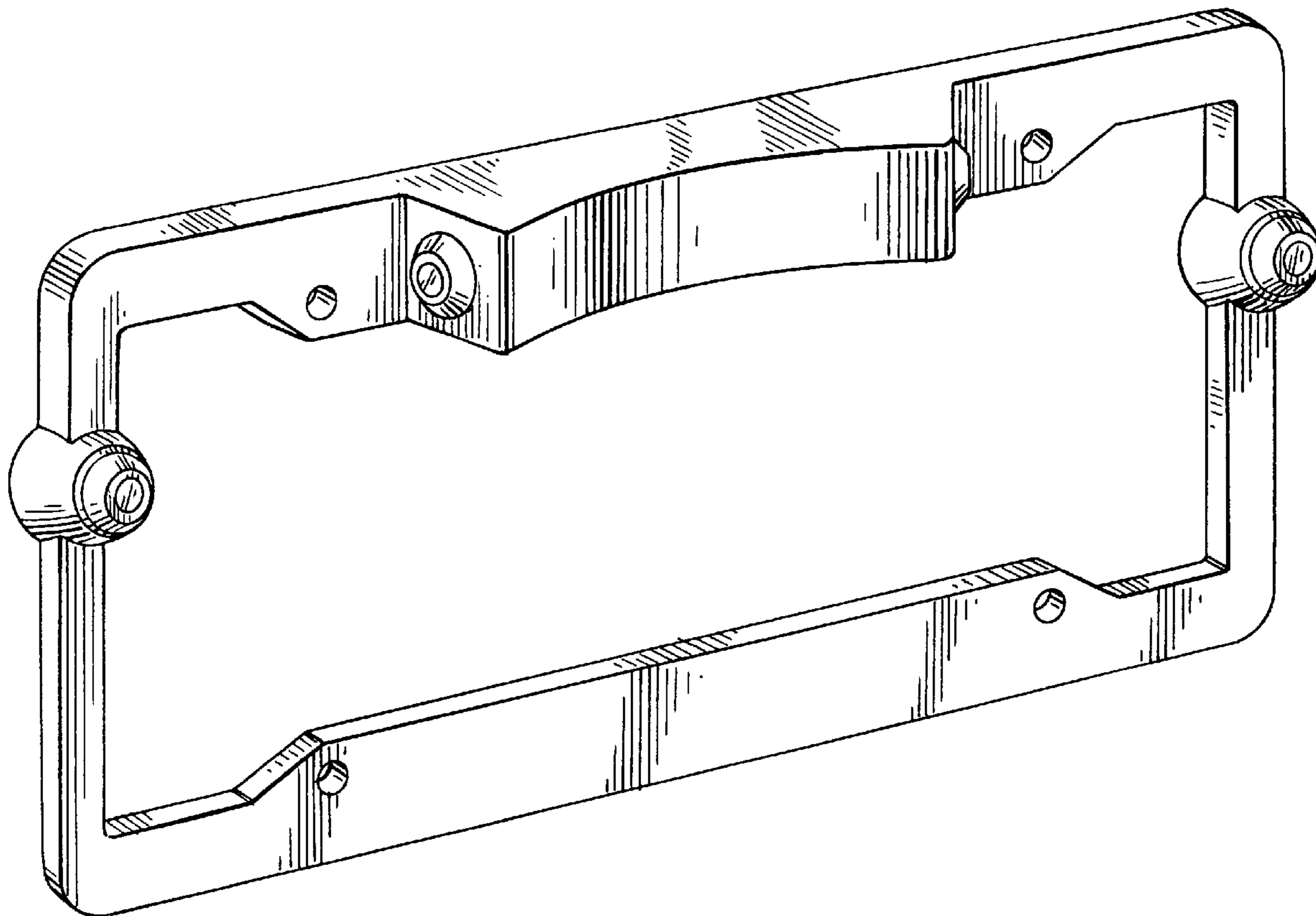
[57] **CLAIM**

The ornamental design for a back-up sensor in a license plate holder, as shown and described.

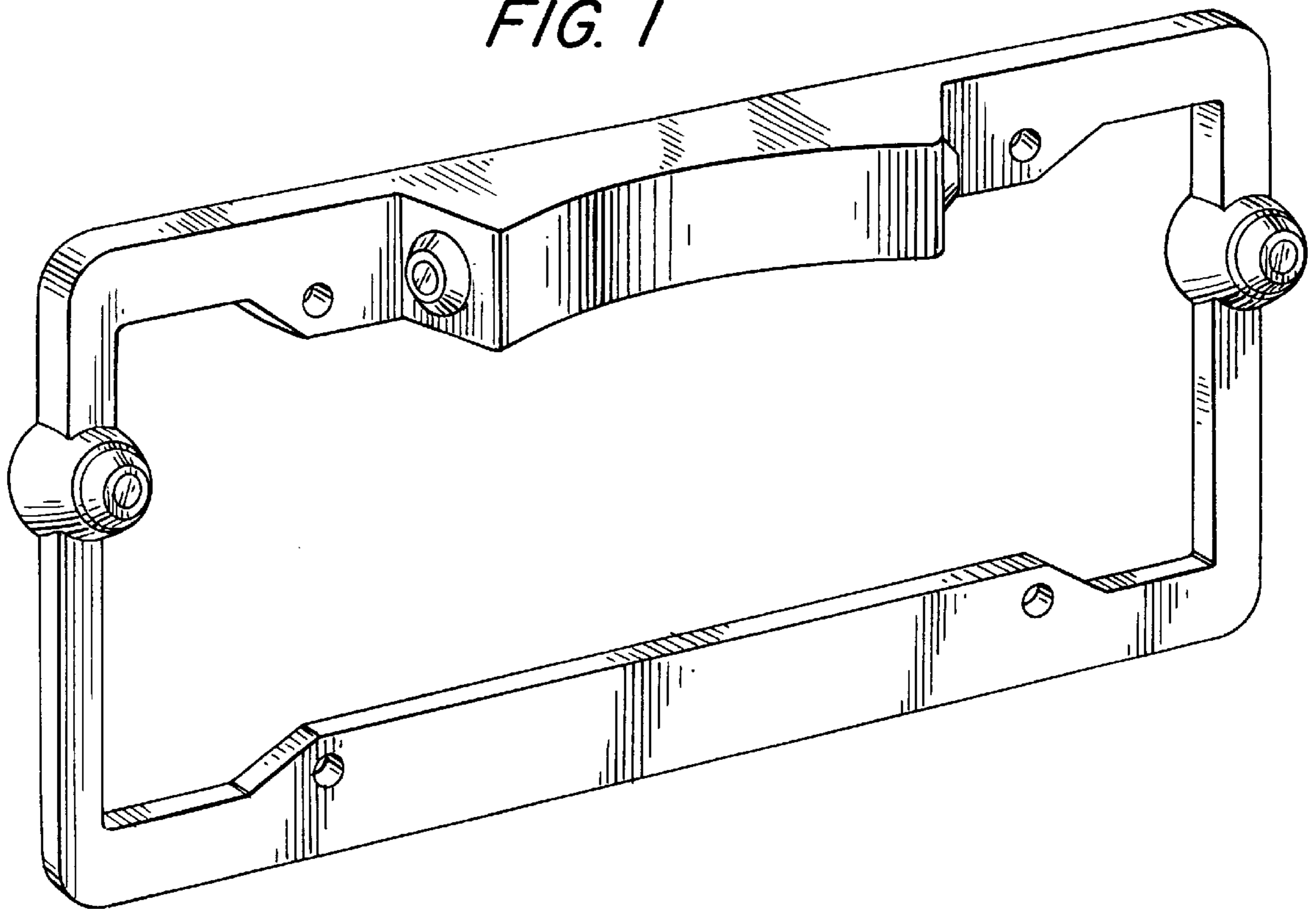
**DESCRIPTION**

FIG. 1 is a perspective view of the back-up sensor in a license plate holder of the present invention; FIG. 2 is a left side elevational view thereof; FIG. 3 is a right side elevational view thereof; FIG. 4 is a top plan view thereof; FIG. 5 is a front elevational view thereof; FIG. 6 is a bottom plan view thereof; and, FIG. 7 is a rear elevational view thereof.

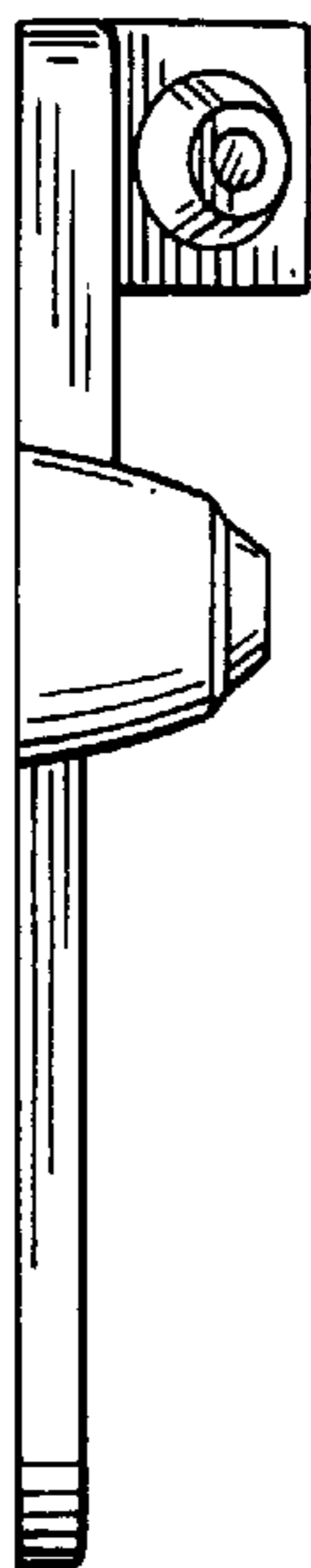
**1 Claim, 2 Drawing Sheets**



*FIG. 1*



*FIG. 2*



*FIG. 3*

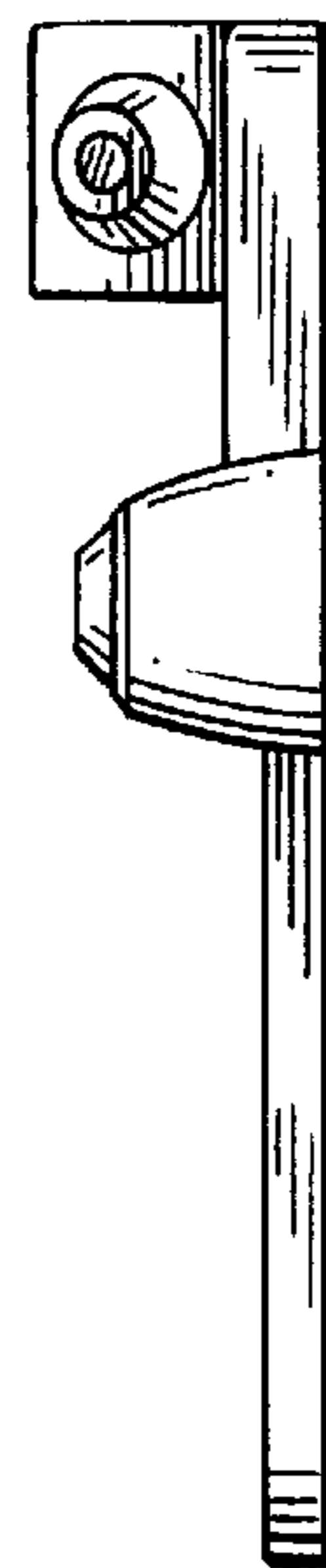


FIG. 4



FIG. 5

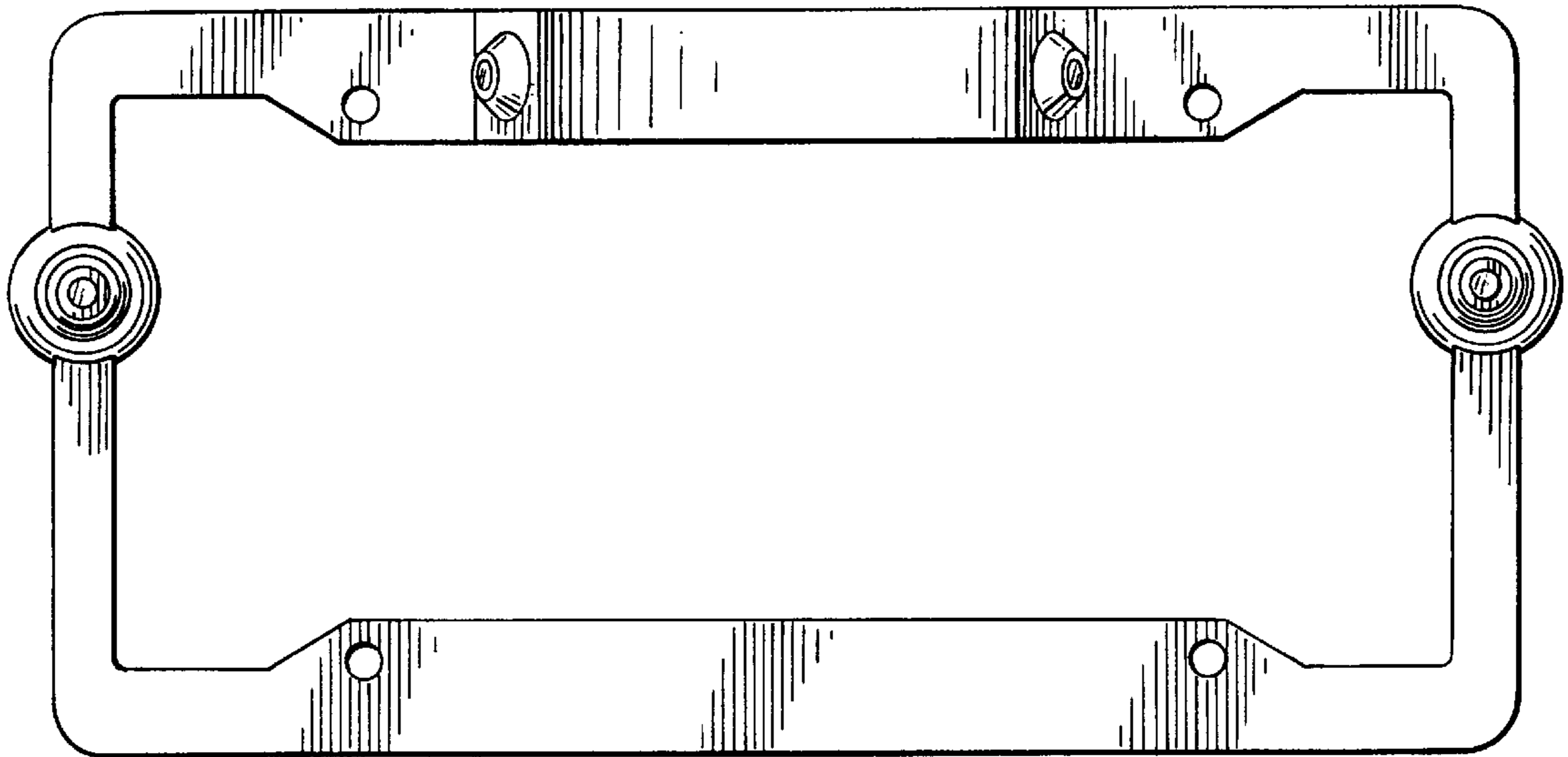


FIG. 6



FIG. 7

