



US00D411498S

United States Patent [19] Pourias

[11] **Patent Number: Des. 411,498**
[45] **Date of Patent: ** Jun. 29, 1999**

[54] **DISPLAY MODULE**

[75] Inventor: **Christian Pourias**, Vavhallan, France

[73] Assignee: **Elgin Sweeper Co.**, Elgin, Ill.

[**] Term: **14 Years**

[21] Appl. No.: **29/070,332**

[22] Filed: **May 6, 1997**

[51] **LOC (6) Cl.** **12-16**

[52] **U.S. Cl.** **D12/192**

[58] **Field of Search** D12/192, 400;
D32/4; 180/90, 322, 323, 326; 248/27.1,
27.3, 904; 280/752; 296/70, 72, 73, 74;
340/461; 361/679

[56] **References Cited**

U.S. PATENT DOCUMENTS

D. 302,540	8/1989	Arenas et al.	D12/192
D. 307,960	5/1990	Martinez et al.	D12/192
D. 318,436	7/1991	Cross	D12/192
D. 339,786	9/1993	Allendorph et al.	D12/192
D. 360,151	7/1995	Kim et al.	D12/192
4,724,918	2/1988	Raineri	296/70
4,802,549	2/1989	Martinez	.	

OTHER PUBLICATIONS

- Elgin Sweeper Guidebook sales brochure (Apr. 1997).
- Cover of Elgin S.W.A.T. Team sales brochure (1995).
- Elgin HiWind sales brochure (1995).
- Elgin Dustless Sweeper (EDS) sales brochure (Aug. 1996).
- Elgin Crosswind sales brochure (Nov. 1995).
- Elgin Sunvac III sales brochure (Nov. 1995).
- Elgin Eagle sales brochure (Sep. 1995).
- Elgin Airport/Runway Sweepers sales brochure (Jan. 1993).
- Elgin Whirlwind sales brochure (Apr. 1996).
- Cover of Dulevo 200/250 sales brochure (undated).
- Cover of Moro SM 410 sales brochure (undated).

- Cover of Schwarze/AAPLEX 7000 sales brochure (undated).
- Cover of Murphy Sweeper sales brochure (undated).
- Johnston 705 Series sales brochure (undated).
- Cover of Schwarze Supervac 3441 sales brochure (undated).
- Cover of Tymco Regenerative Air Sweepers sales brochure (undated).
- Cover of Ravo 2005 sales brochure (undated).
- Ravo 8000 sales brochure (undated).
- Cover of Pfau-Johnston KSA-550 sales brochure (undated).
- Bucher-Schörling Road Sweepers sales brochure (undated).
- Kroll twin-engine sales brochure (undated).
- Schörling-Super sales brochure (undated).
- Faun SKS-Lift 2000 sales brochure (undated). One page.
- Cover of Faun envitec tornado sales brochure (undated).
- Athey Mobil Sweeper sales brochure (undated).
- Athey Topgun Mobil Sweeper Model M-9A sales brochure (undated). One page.
- Cover of DAF Scarab Major 5000 sales brochure (undated).
- Cover of Sweeprite 2200 sales brochure (undated).
- Cover of VAC/ALL VSS 812 sales brochure (undated).
- Peabody Myers Alpha 350 specification sheet (undated).

Primary Examiner—Robert M. Spear
Attorney, Agent, or Firm—Finnegan, Henderson, Farabow, Garrett & Dunner, L.L.P.

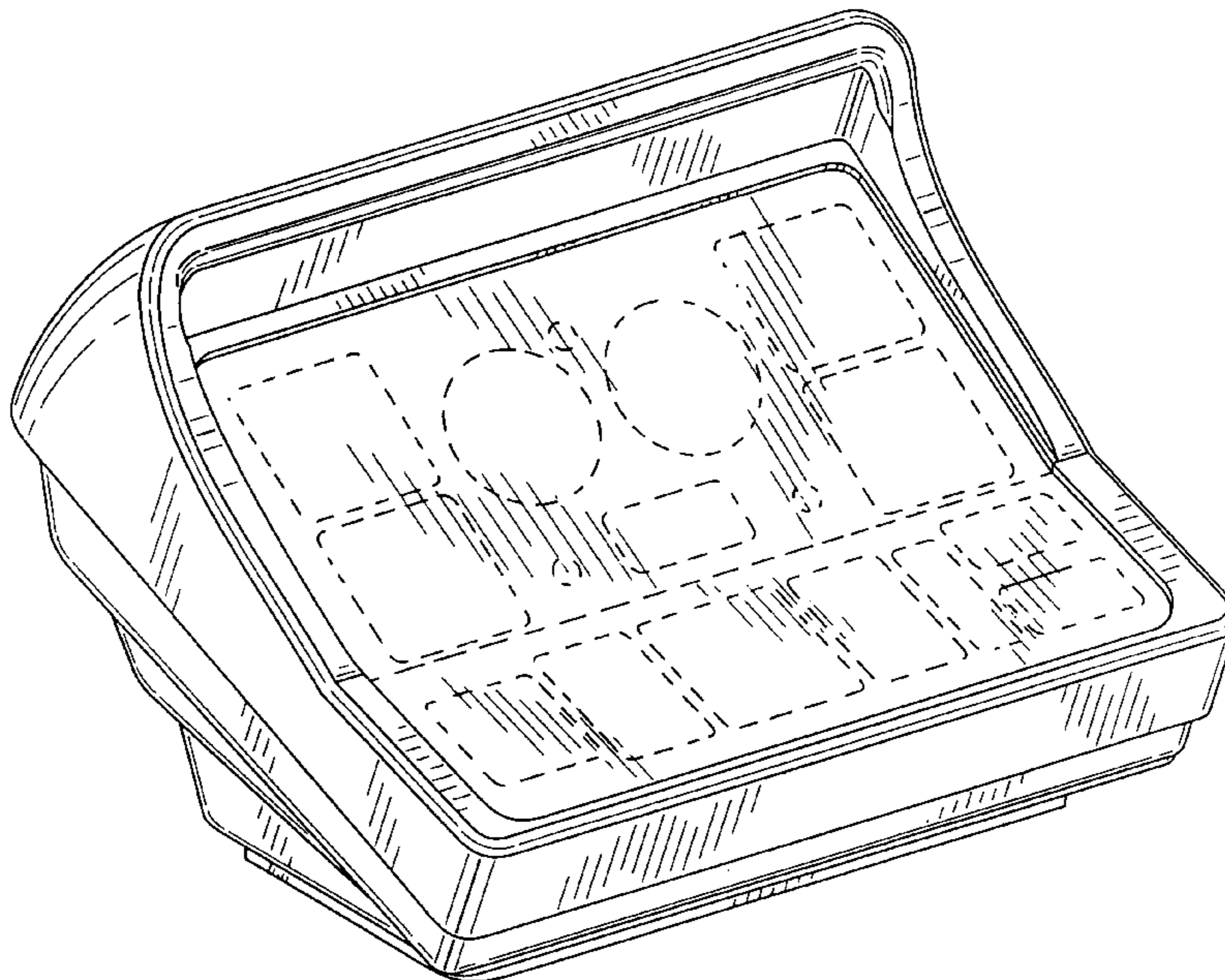
[57] **CLAIM**

The ornamental design for a display module, as shown and described.

DESCRIPTION

FIG. 1 is a perspective view of a display module embodying my design;
FIG. 2 is a front elevational view thereof;
FIG. 3 is a rear elevational view thereof;
FIG. 4 is a right side elevational view thereof, the left side elevational view being a mirror image of the right side elevational view; and,
FIG. 5 is a top plan view thereof.

1 Claim, 3 Drawing Sheets



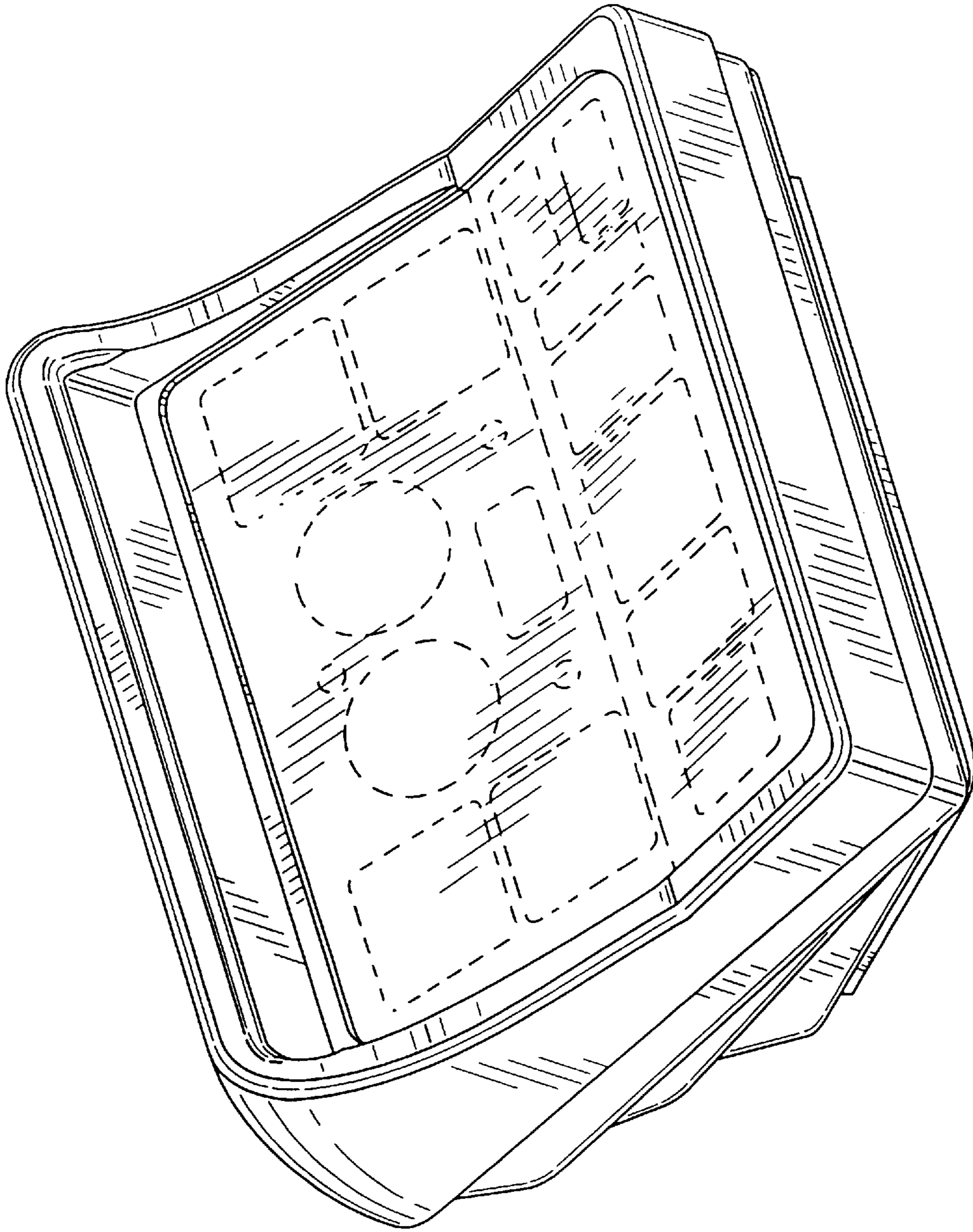


FIG. 1

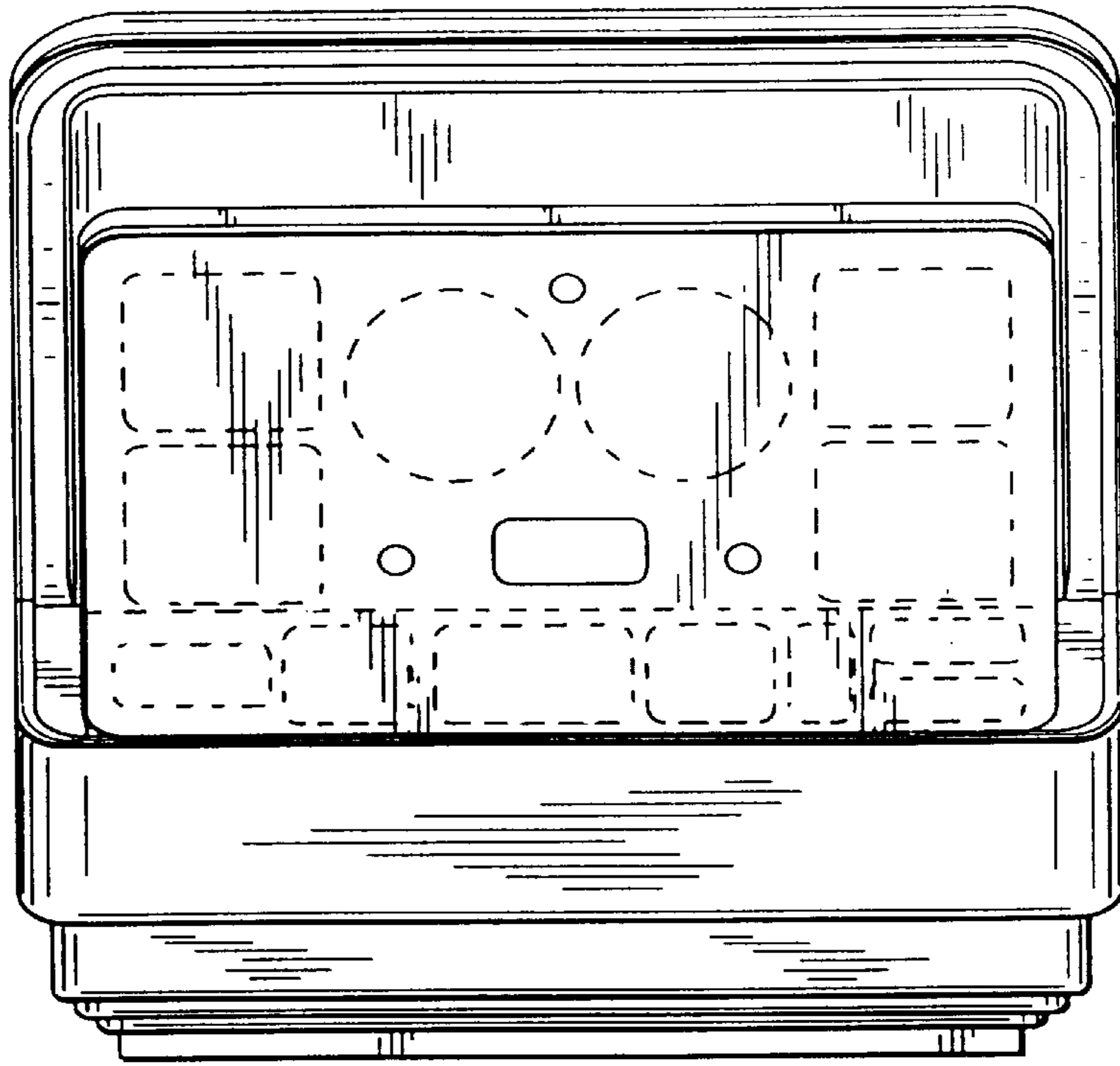


FIG. 2

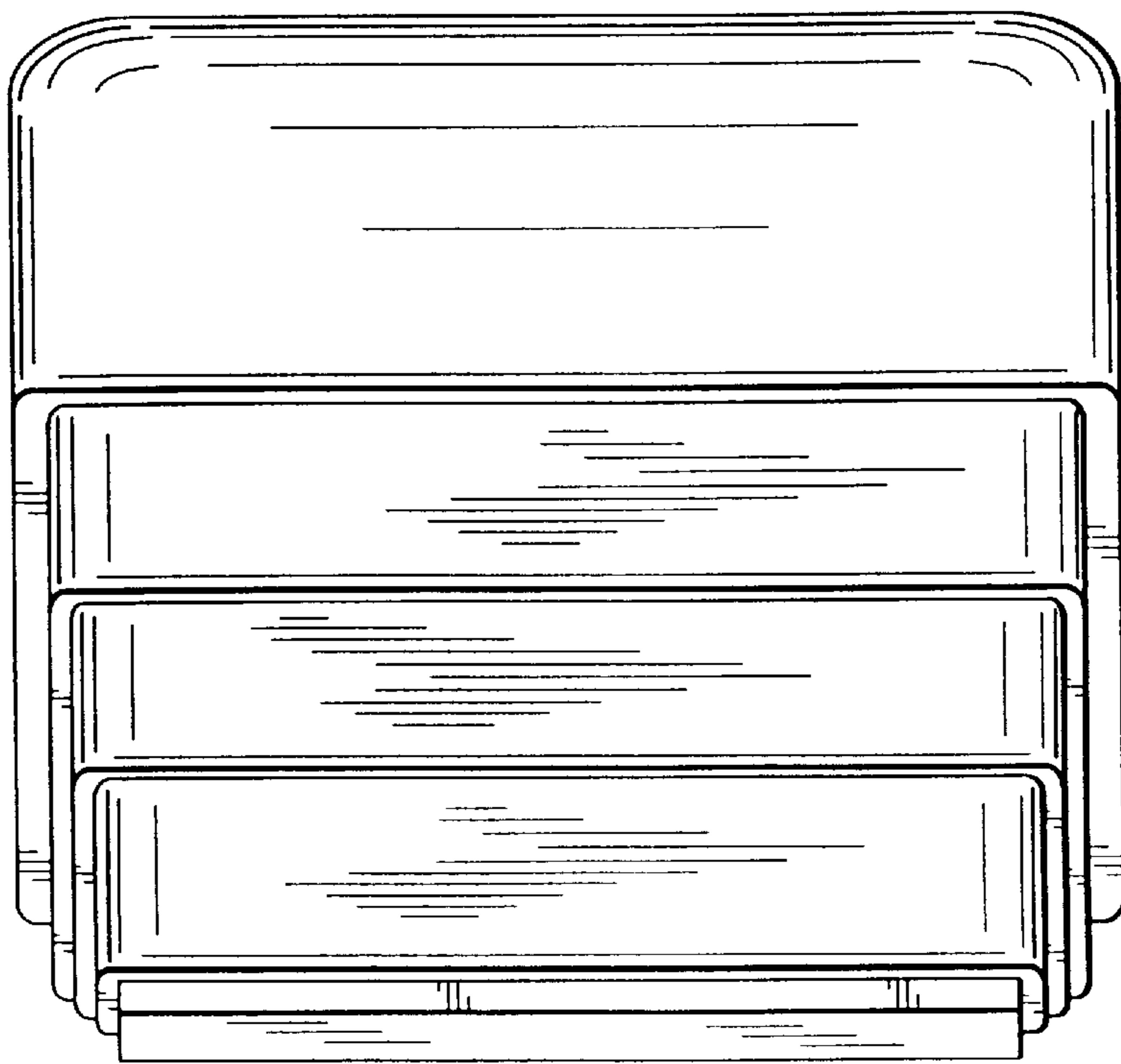


FIG. 3

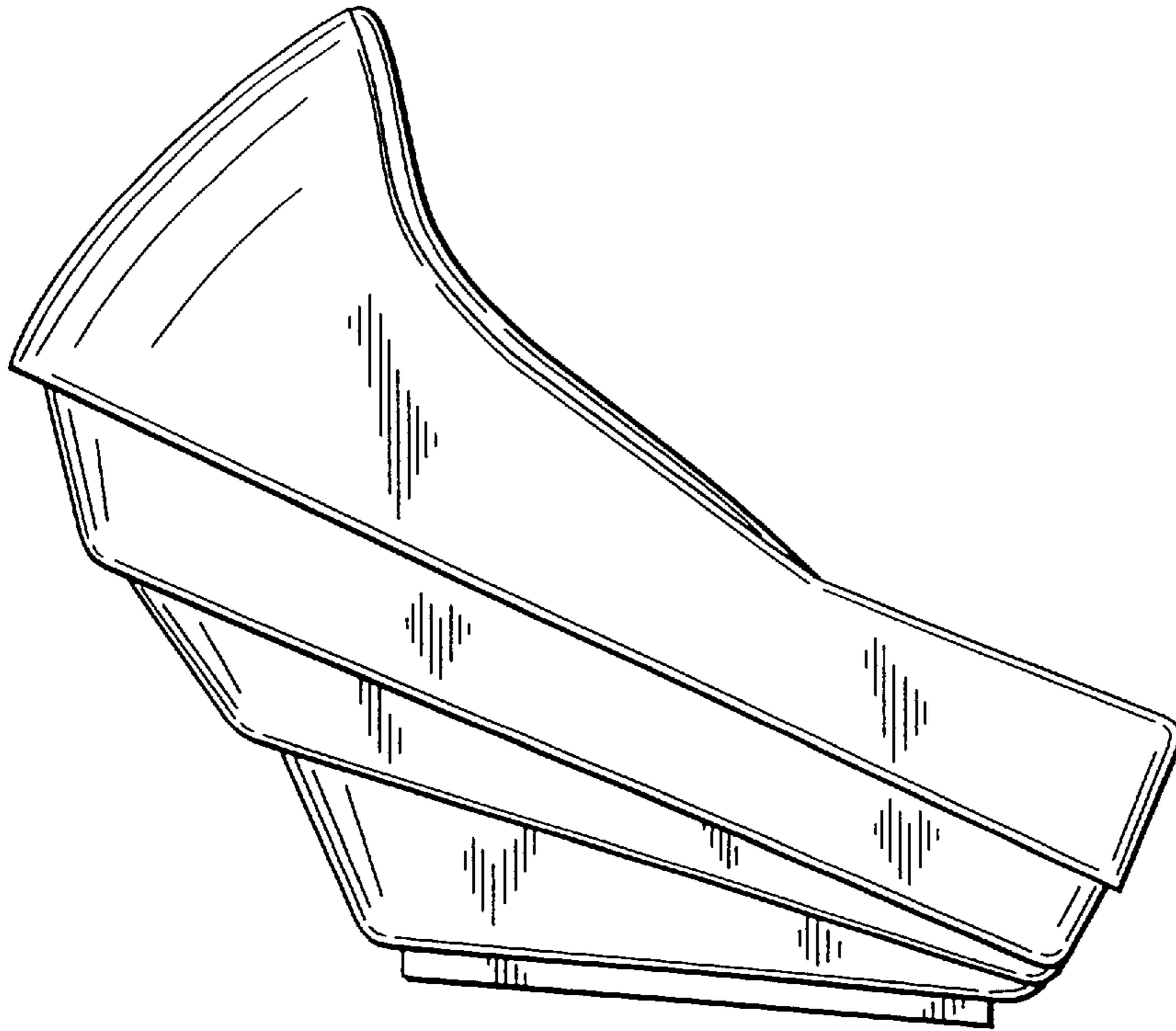


FIG. 4

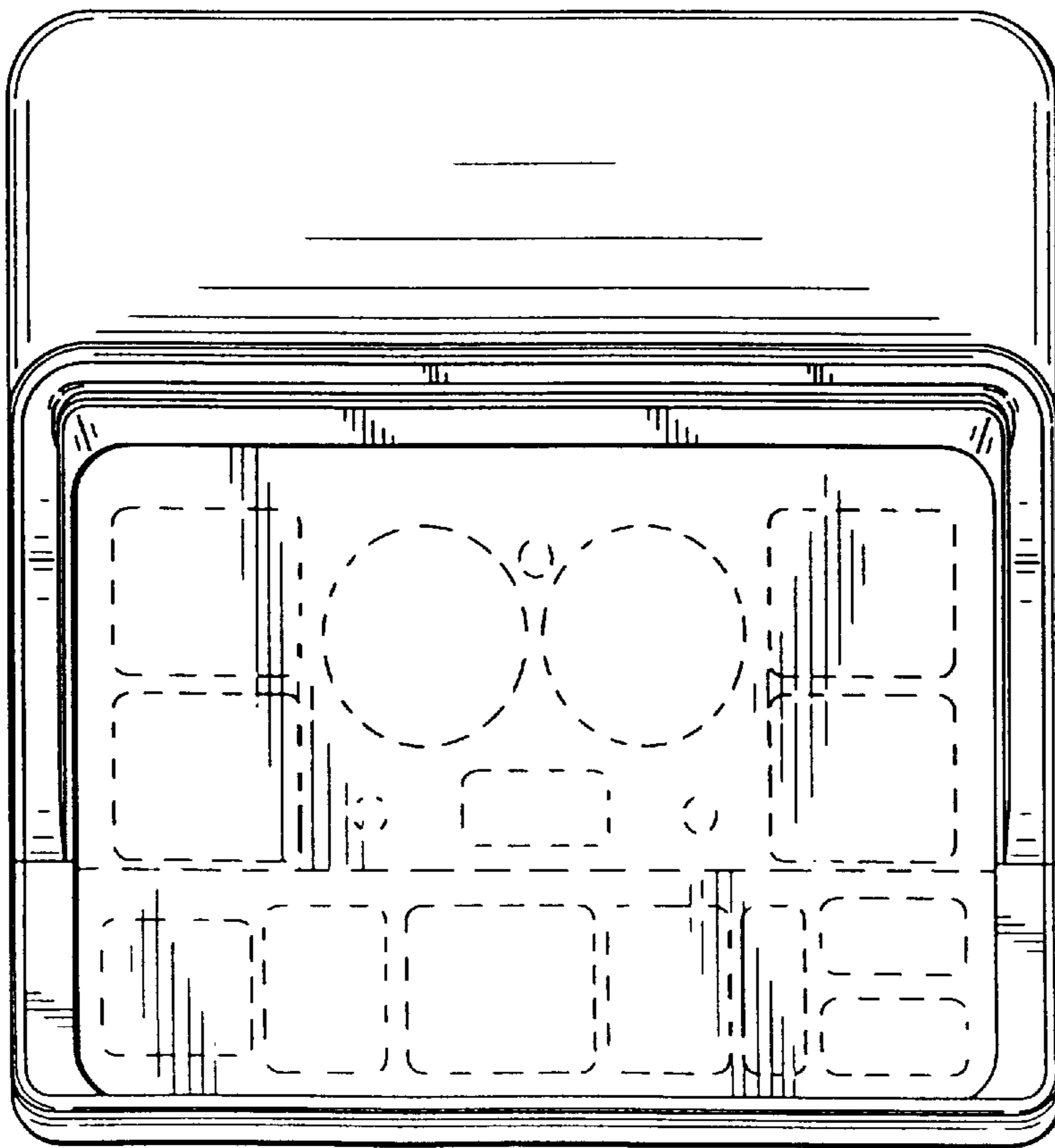


FIG. 5