



US00D411496S

United States Patent [19]

Lagaay

[11] **Patent Number: Des. 411,496**

[45] **Date of Patent: ** Jun. 29, 1999**

[54] **EXTERIOR SURFACE CONFIGURATION OF A MOTOR VEHICLE LEVER**

D. 390,179 2/1998 Barbfunopulos D12/179
5,462,146 10/1995 Doolittle et al. 192/4 A

[75] Inventor: **Harm M. Lagaay**, Marbach, Germany

Primary Examiner—Melody N. Brown
Attorney, Agent, or Firm—Evenson, McKeown, Edwards & Lenahan, PLLC

[73] Assignee: **Ing. h.c.F. Porsche AG**, Weissach, Germany

[**] Term: **14 Years**

[57] **CLAIM**

[21] Appl. No.: **29/079,634**

The ornamental design for an exterior surface configuration of a motor vehicle lever, as shown and described.

[22] Filed: **Dec. 8, 1997**

DESCRIPTION

[30] **Foreign Application Priority Data**

Jun. 7, 1997 [DE] Germany M97 051 446

FIG. 1 is a perspective view from the right of an exterior surface configuration of a motor vehicle lever according to my novel design;

[51] **LOC (6) Cl.** **12-16**

FIG. 2 is a perspective view from the left of an exterior surface configuration of a motor vehicle lever according to my novel design; and,

[52] **U.S. Cl.** **D12/179**

FIG. 3 is a perspective view from the top of an exterior surface configuration of a motor vehicle lever according to my novel design.

[58] **Field of Search** D12/179; 74/489, 74/502.2, 475; D8/330, 331; 192/4 A

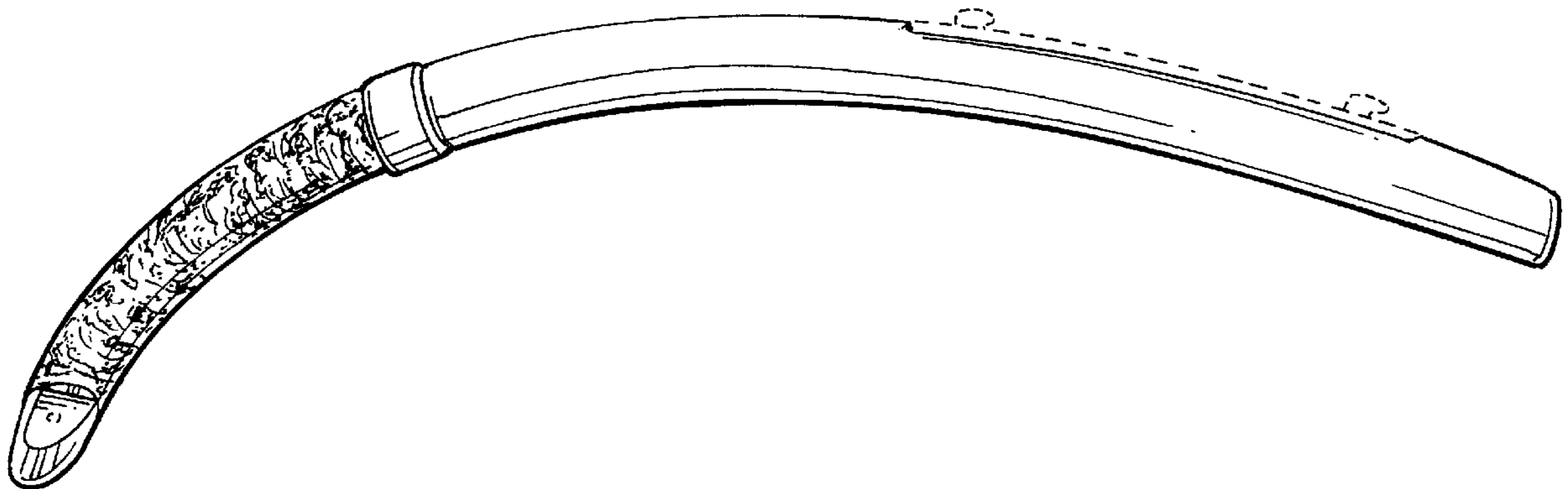
The broken lines shown in all drawing views are for illustrative purposes only and form no part of the claimed design.

[56] **References Cited**

U.S. PATENT DOCUMENTS

D. 205,201 7/1966 Butler D12/179

1 Claim, 1 Drawing Sheet



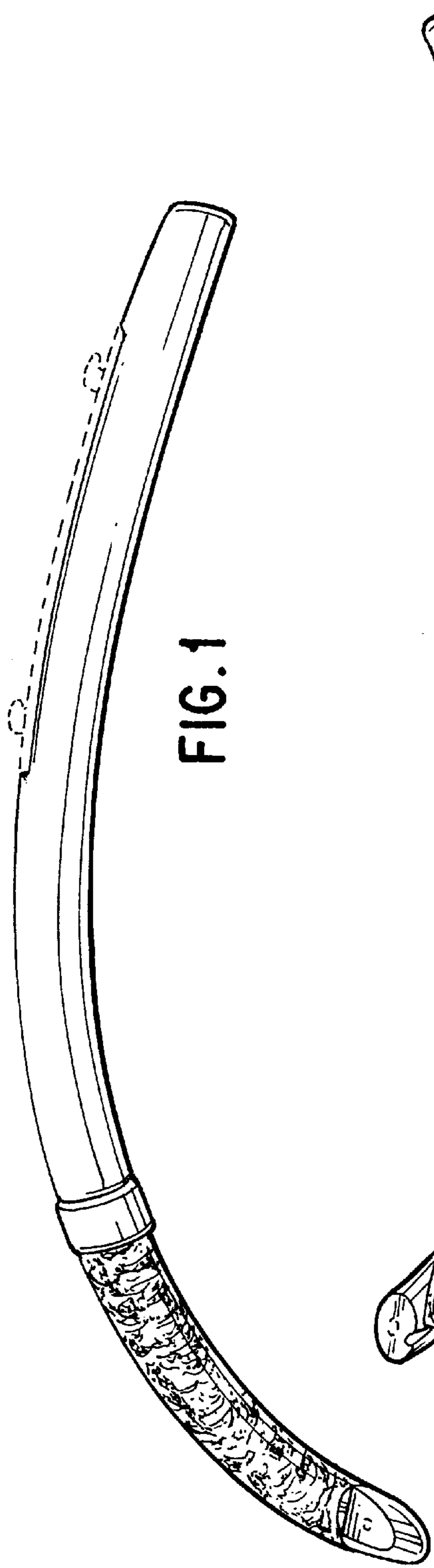


FIG. 1



FIG. 2

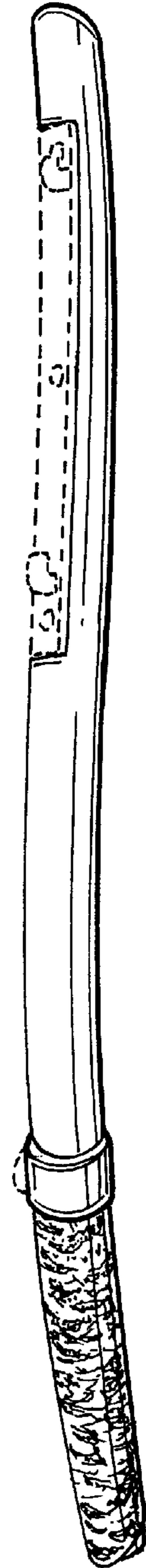


FIG. 3