



US00D411494S

United States Patent [19]

[11] Patent Number: Des. 411,494

Meryman et al.

[45] Date of Patent: ** Jun. 29, 1999

[54] TRUCK HOOD AND BUMPER ASSEMBLY

[75] Inventors: Roy L. Meryman, Renton; Wayne K. Simons, Kent, both of Wash.

[73] Assignee: PACCAR Inc, Bellevue, Wash.

[**] Term: 14 Years

[21] Appl. No.: 29/098,699

[22] Filed: Jan. 5, 1999

Related U.S. Application Data

[62] Division of application No. 29/053,878, May 1, 1996, Pat. No. Des. 403,636.

[51] LOC (6) Cl. 12-16

[52] U.S. Cl. D12/173

[58] Field of Search D12/169, 173, D12/96, 97; 296/190

[56] References Cited

U.S. PATENT DOCUMENTS

D. 312,805	12/1990	Harlow et al.	D12/96
D. 328,273	7/1992	Kerney et al.	D12/96
D. 366,638	1/1996	Tucker et al.	D12/173
D. 367,027	2/1996	Onopa	D12/173
D. 403,636	1/1999	Meryman et al.	D12/173
5,308,134	5/1994	Staneser	296/91

OTHER PUBLICATIONS

“Kenworth’s T600: Ten Years of Innovation”, Kenworth Truck Company brochure, Kirkland, WA (Jun. 1995).

Primary Examiner—Melody N. Brown

Attorney, Agent, or Firm—Wells, St. John, Roberts, Gregory & Matkin, P.S.

[57] CLAIM

We claim the ornamental design for a truck hood and bumper assembly, as shown and described.

DESCRIPTION

FIG. 1 is an environmental front elevational view of a first embodiment of truck hood and bumper assembly according to the invention.

FIG. 2 is an environmental side elevational view of the first embodiment of truck hood and bumper assembly shown in FIG. 1.

FIG. 3 is a front elevational view of the truck hood and bumper assembly of FIG. 1 shown in isolation from the environment truck shown in phantom in FIG. 1.

FIG. 4 is a side elevational view of the truck hood and bumper assembly of FIG. 3. The opposite side elevational view is a mirror image of the view shown in FIG. 3.

FIG. 5 top view of the truck hood and bumper assembly of FIG. 3.

FIG. 6 is a front elevational view of a second embodiment truck hood and bumper assembly according to the invention.

FIG. 7 is a side elevational view of the truck hood and bumper assembly of FIG. 6. The opposite side elevational view is a mirror image of the view shown in FIG. 7.

FIG. 8 is a top view of the truck hood and bumper assembly of FIG. 6.

FIG. 9 is an environmental front elevational view of a third embodiment of truck hood and bumper assembly according to the invention.

FIG. 10 is an environmental side elevational view of the third embodiment of truck hood and bumper assembly shown in FIG. 9.

FIG. 11 is a front elevational view of the truck hood and bumper assembly of FIG. 9 shown in isolation from the environment truck shown in phantom in FIG. 9.

FIG. 12 is a side elevational view of the truck hood and bumper assembly of FIG. 11. The opposite side elevational view is a mirror image of the view shown in FIG. 12.

FIG. 13 top view of the truck hood and bumper assembly of FIG. 11.

FIG. 14 is a front elevational view of a fourth embodiment truck hood and bumper assembly according to the invention.

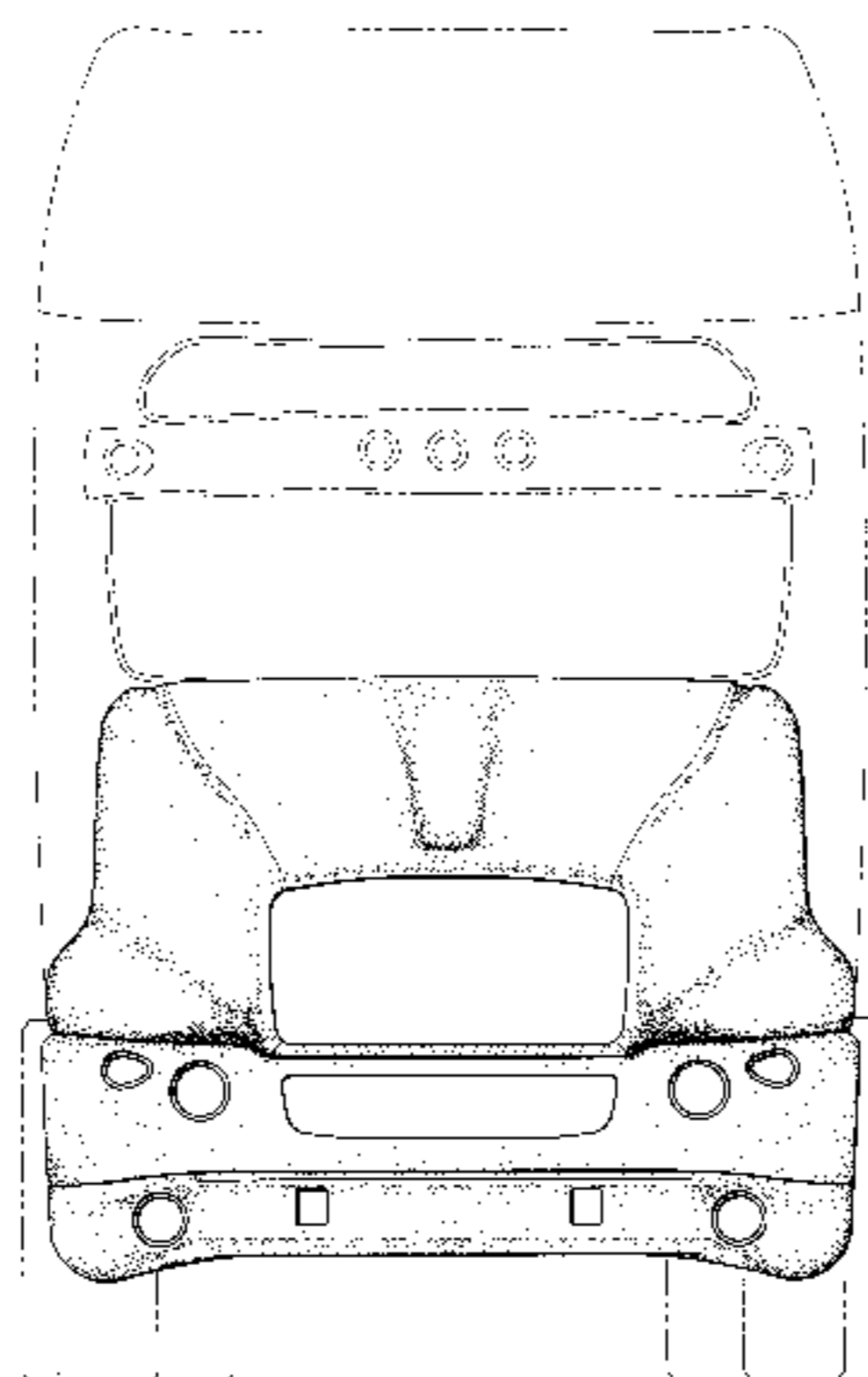
FIG. 15 is a side elevational view of the truck hood and bumper assembly of FIG. 14. The opposite side elevational view is a mirror image of the view shown in FIG. 15; and,

FIG. 16 is a top view of the truck hood and bumper assembly of FIG. 14.

The nature and environmental use of the claimed design is in connection with vehicles, such as trucks. Any portions of the figures which show in broken lines are to indicate the environment of the design and do not form a part of the design sought to be protected.

The bottom and rear elevational views of the truck hood and bumper assembly are unornamented and have not been shown.

1 Claim, 12 Drawing Sheets



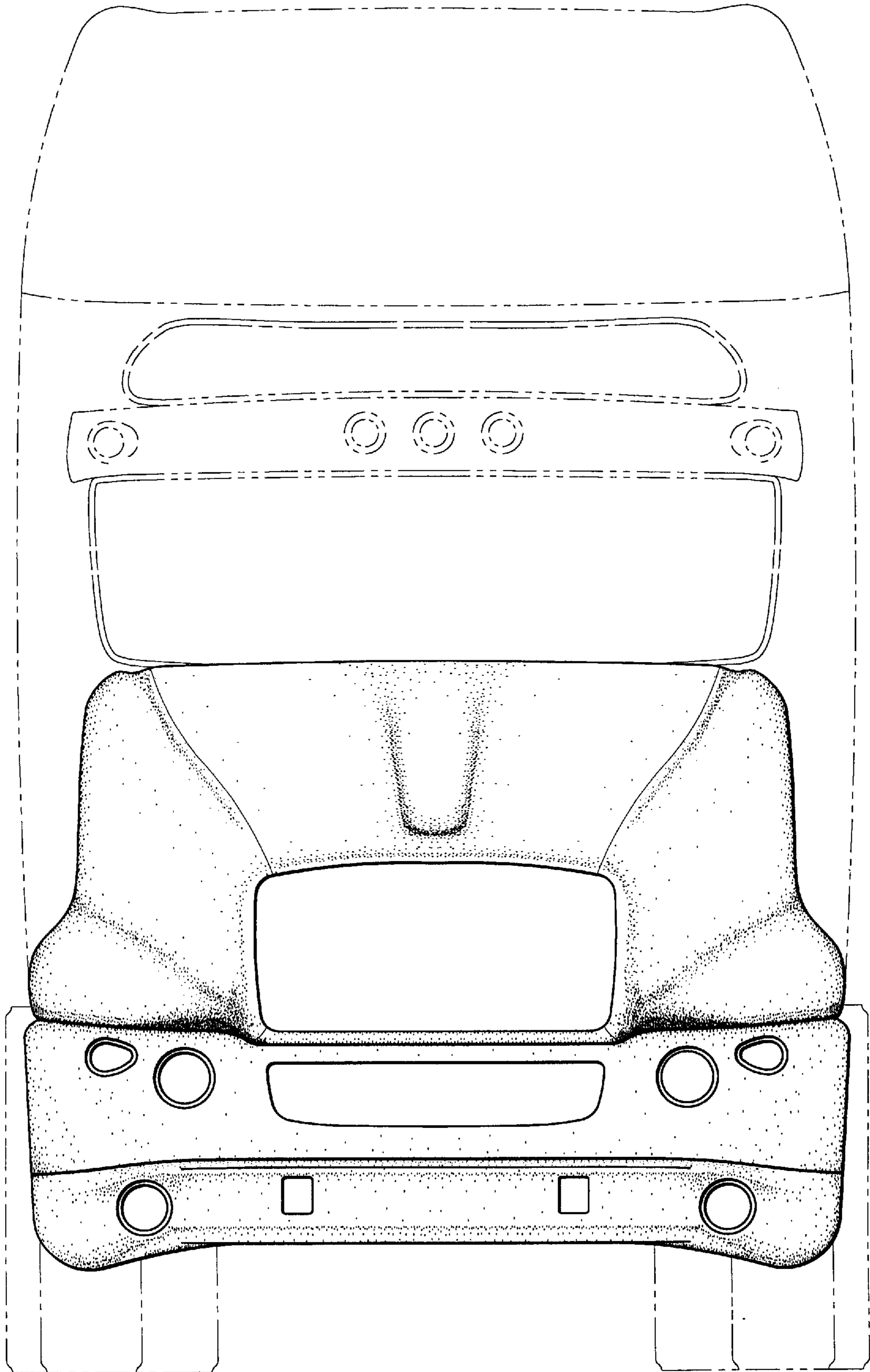


FIG. 1

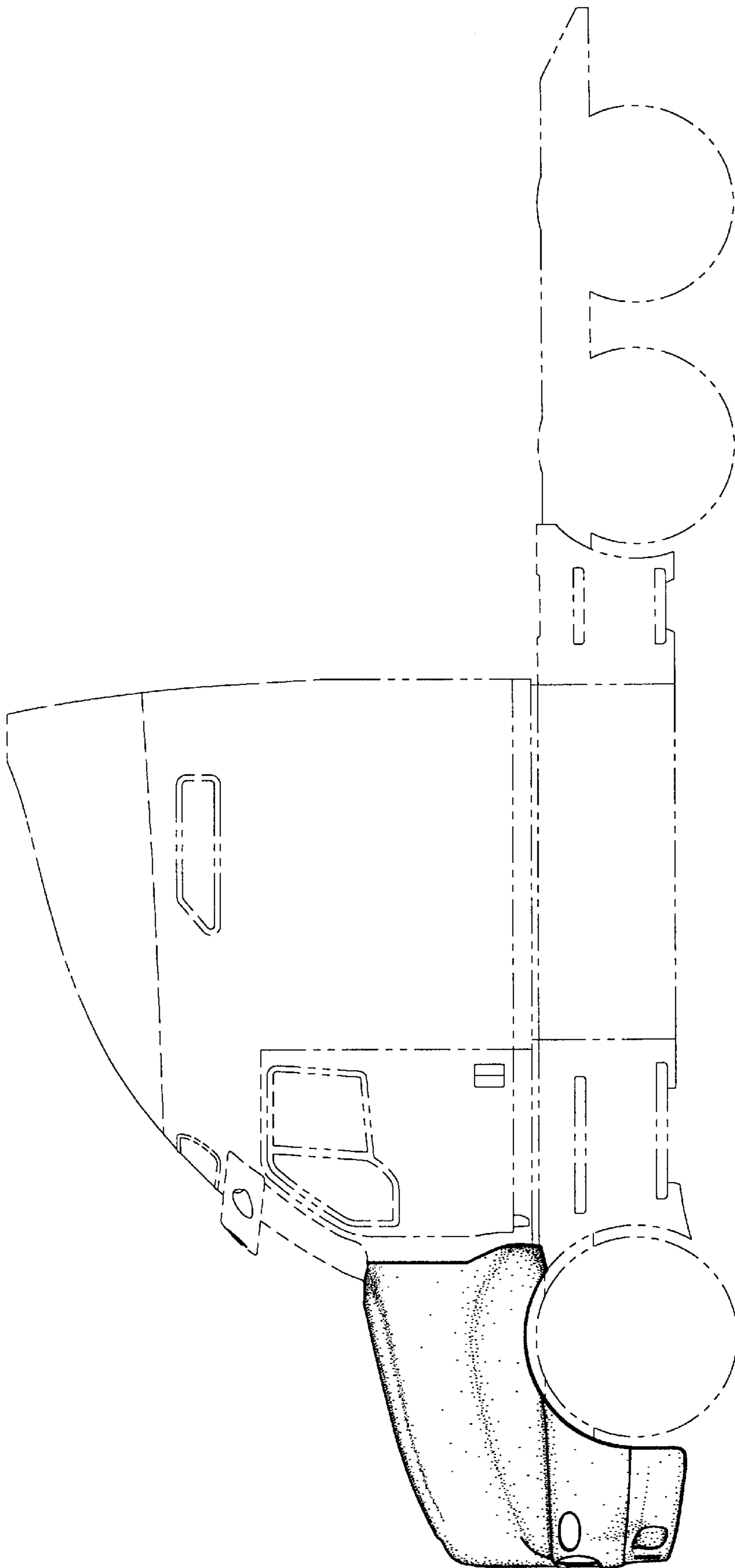


FIG. 2

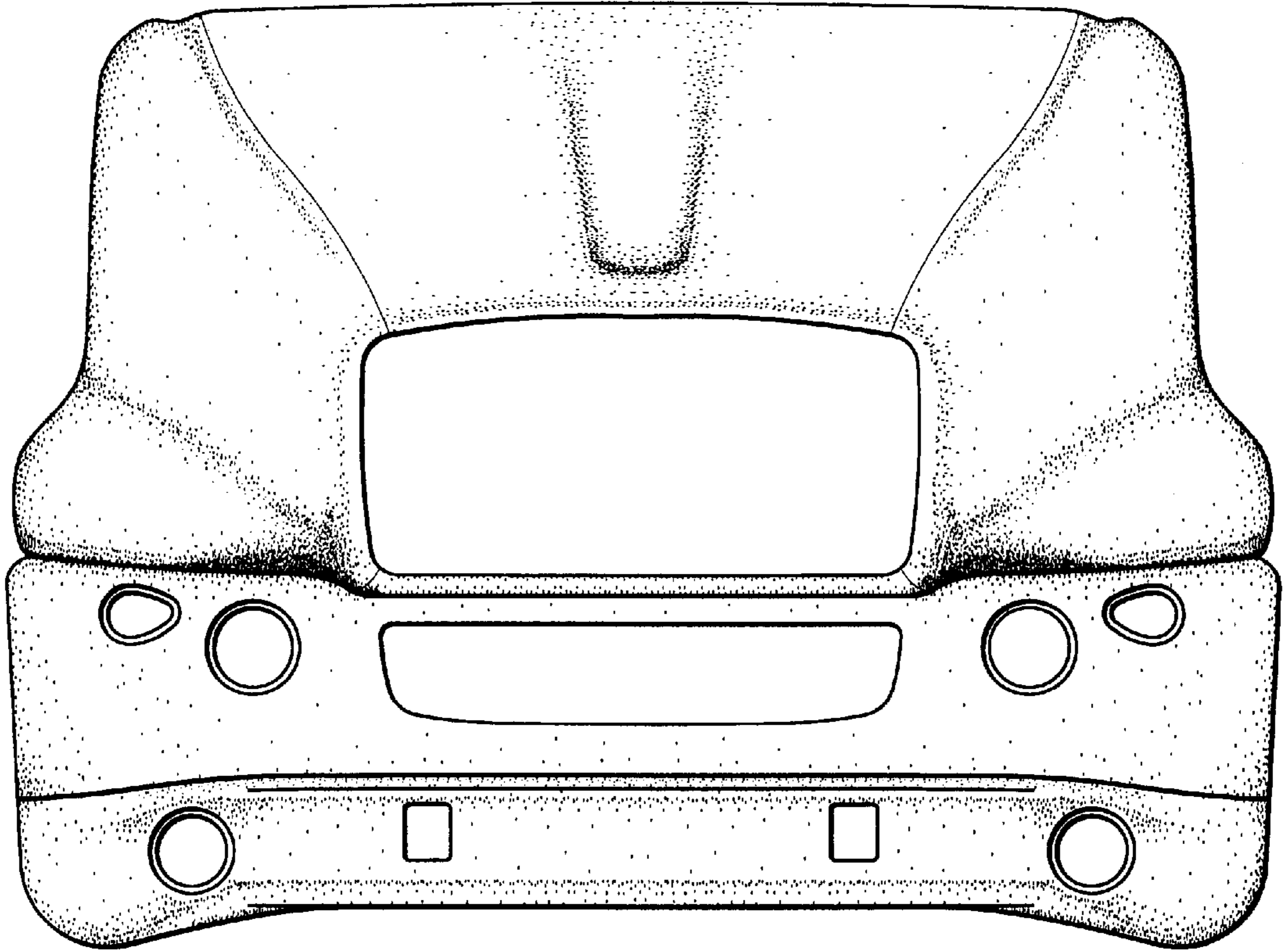


Fig. 3

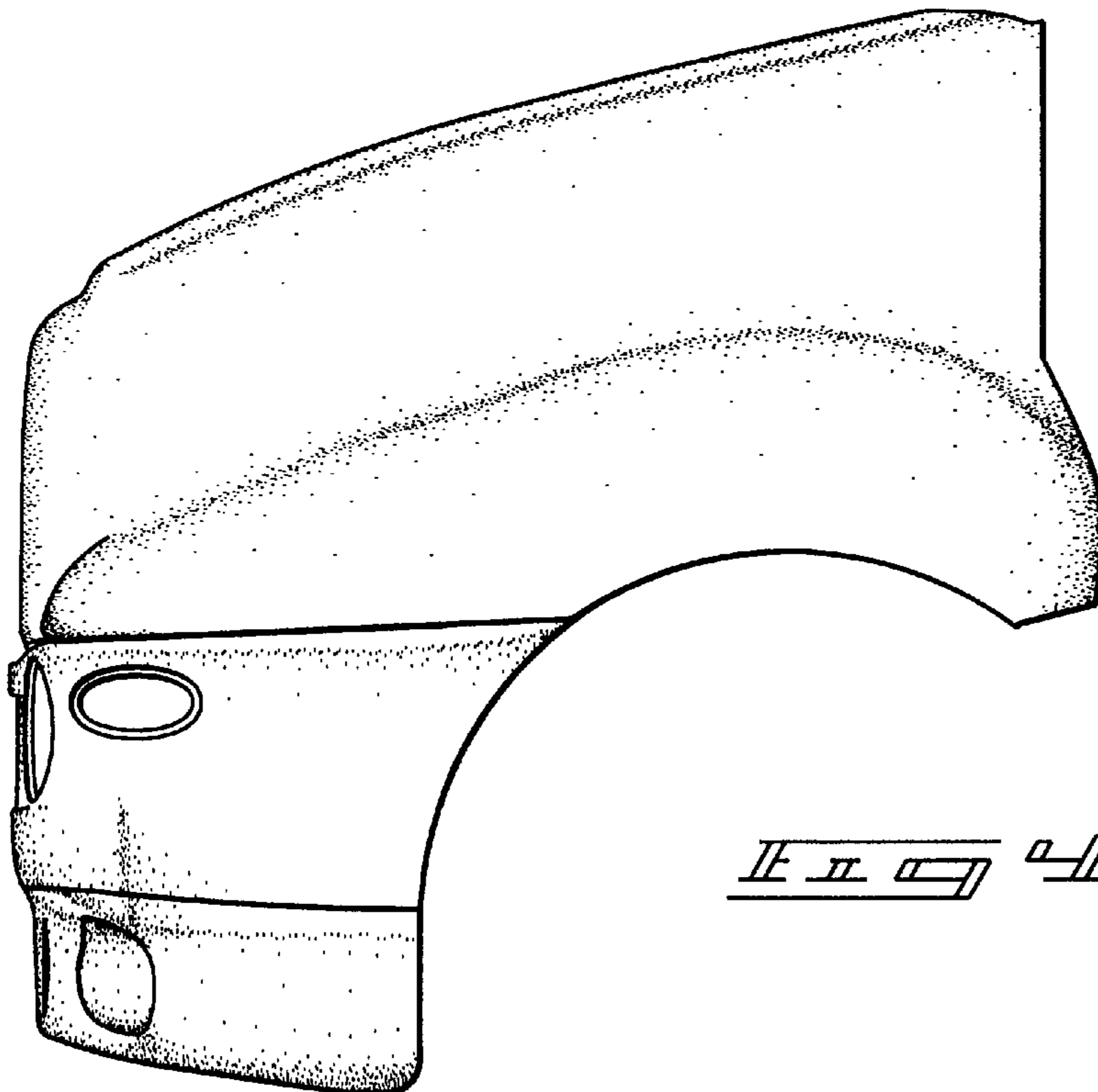


Fig. 4

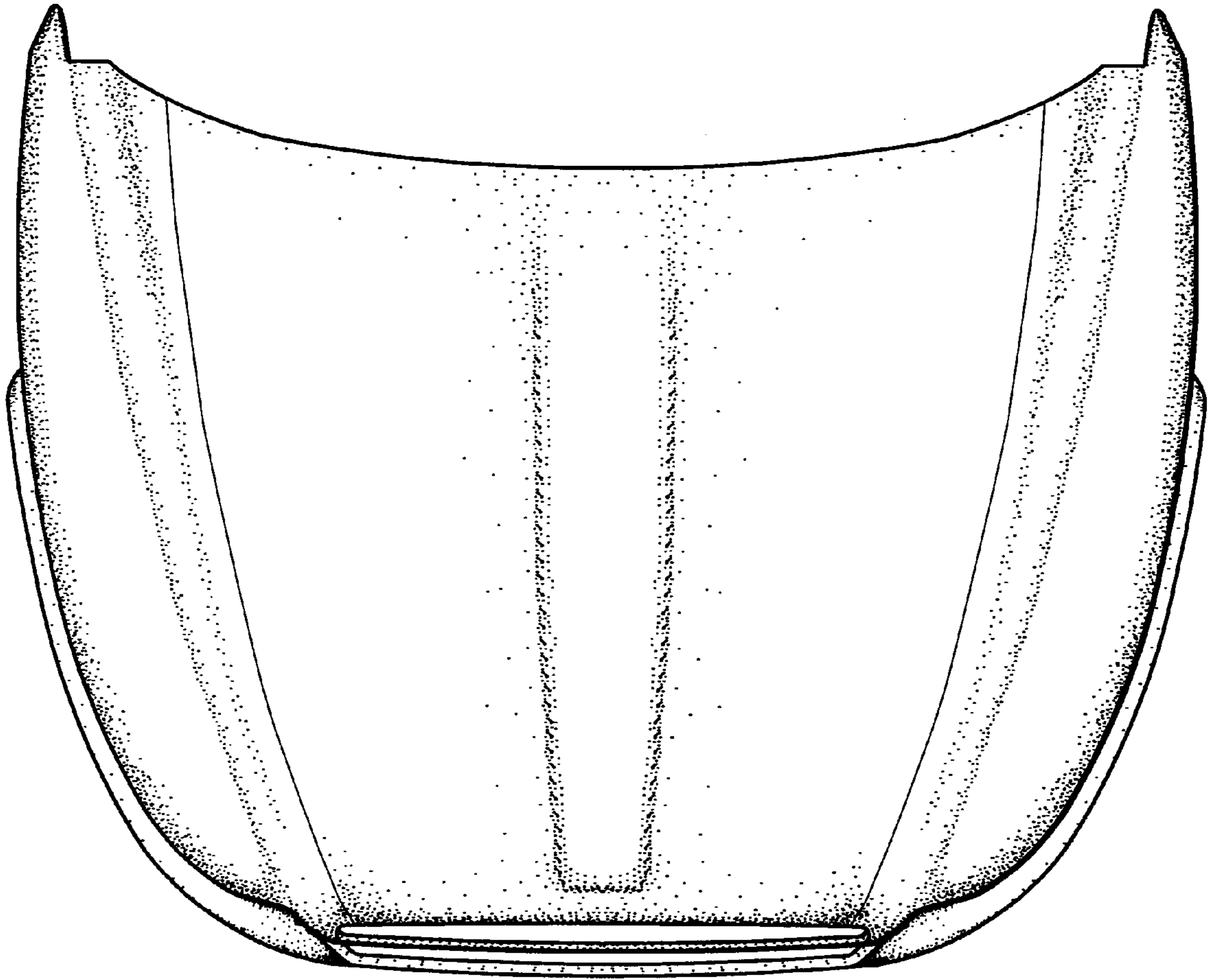


FIG. 5

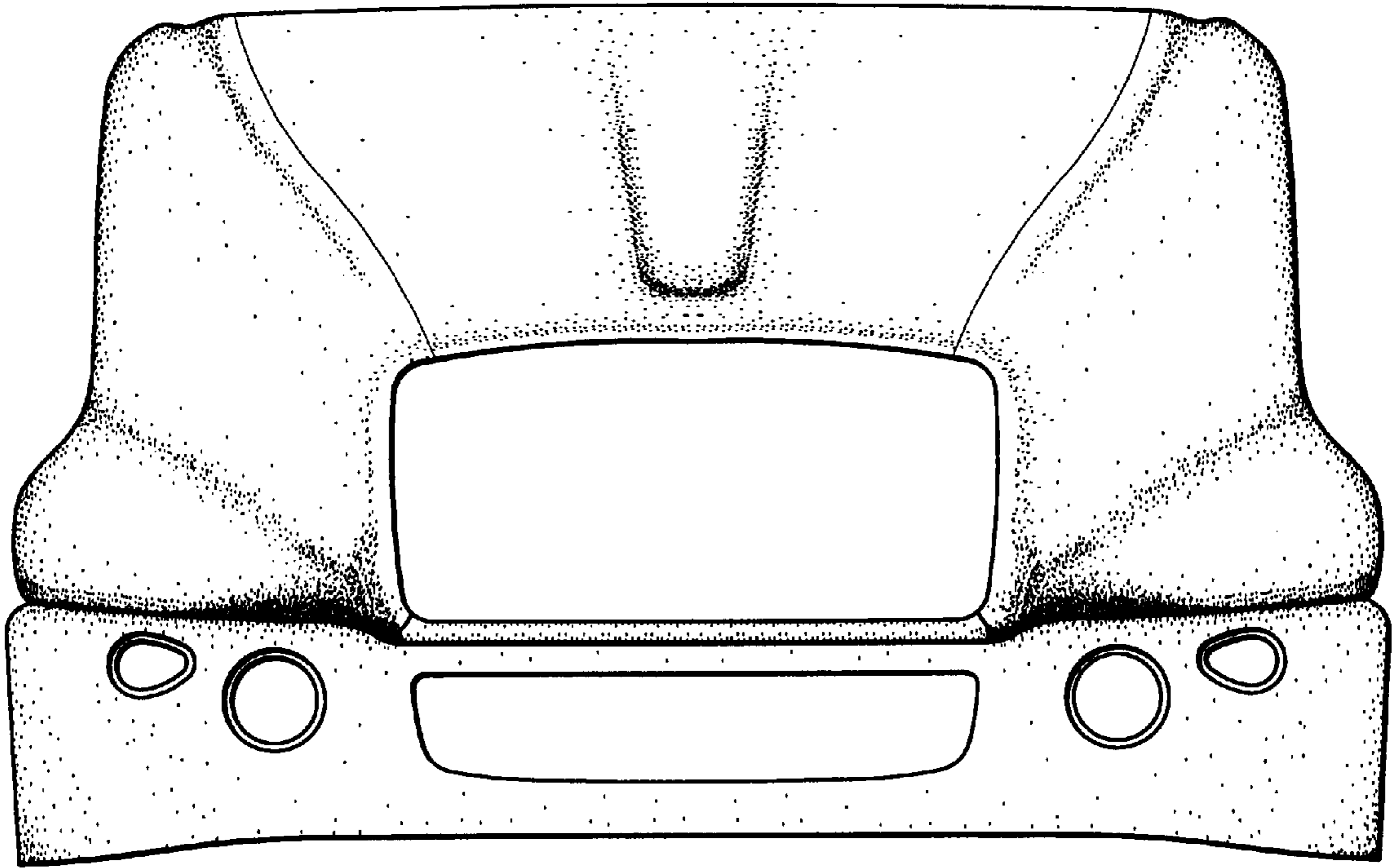


Fig. 5

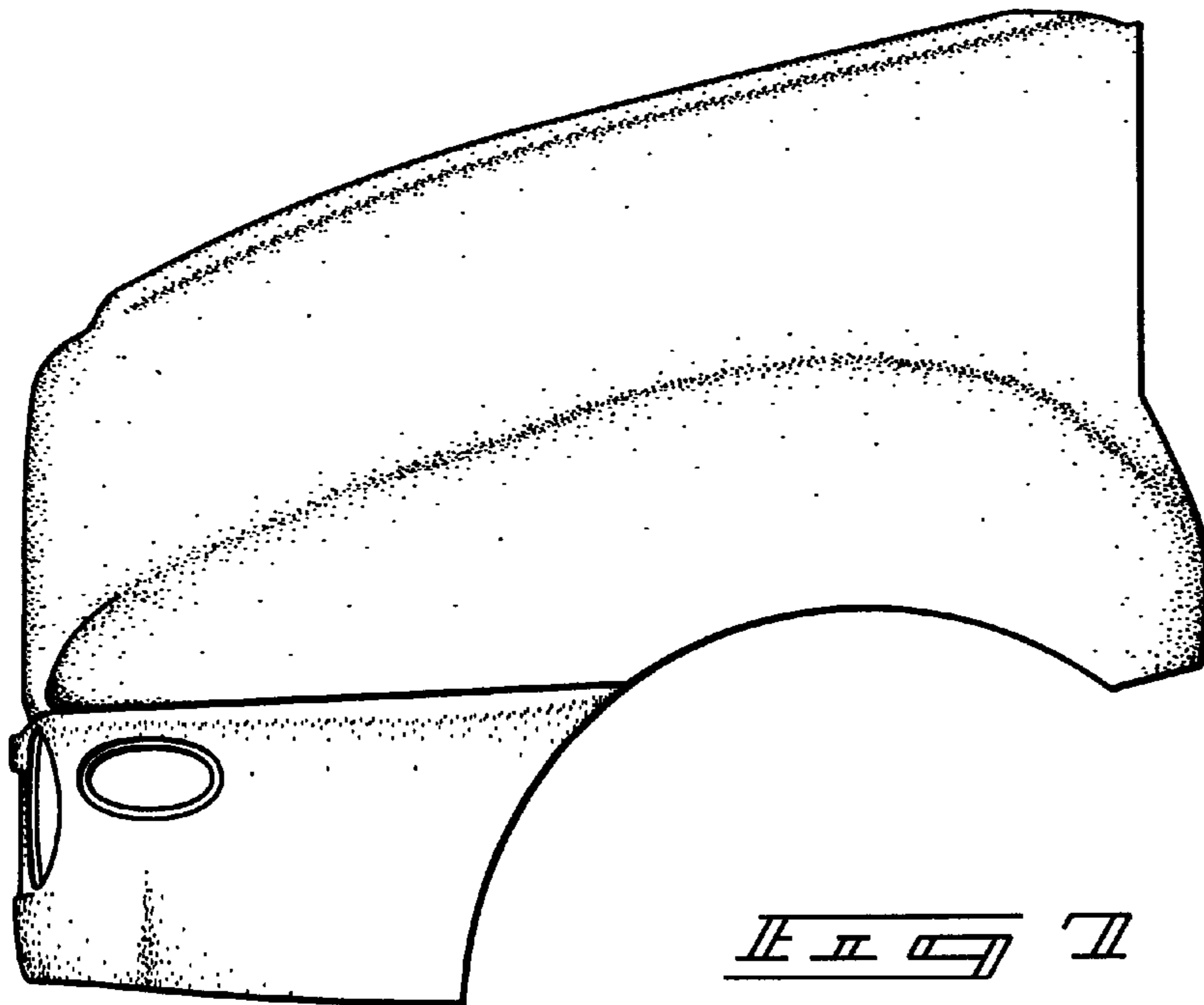
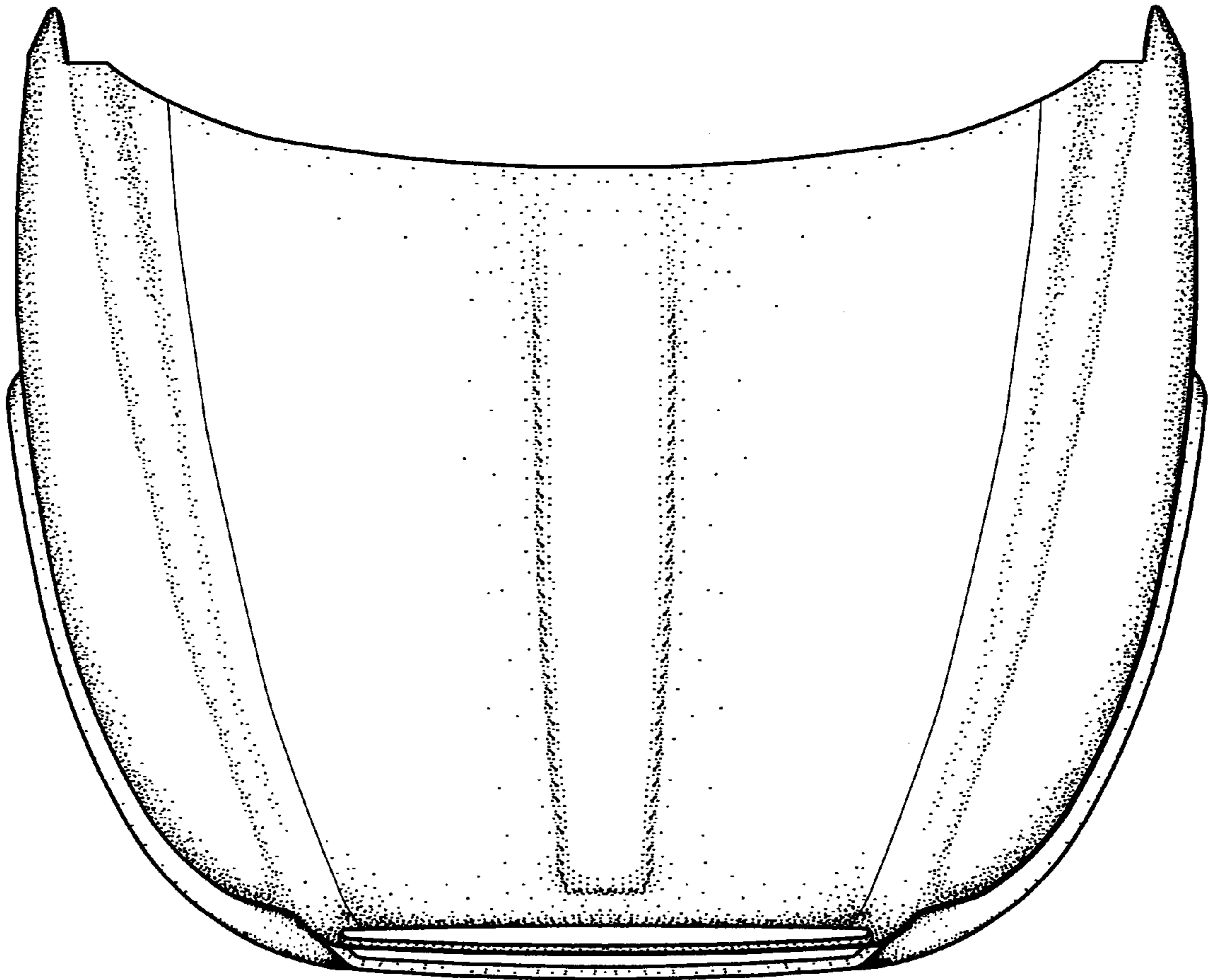


Fig. 6



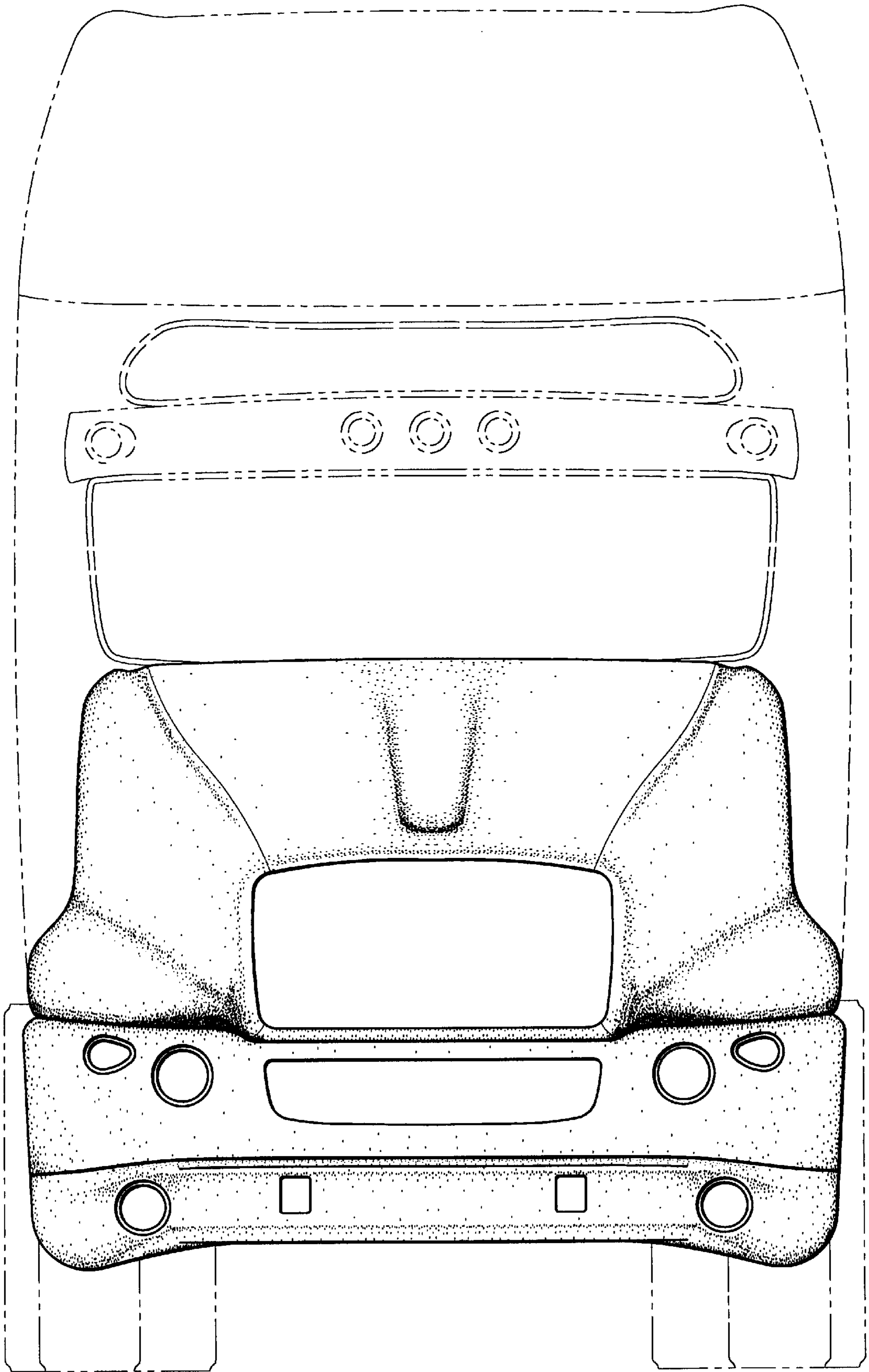
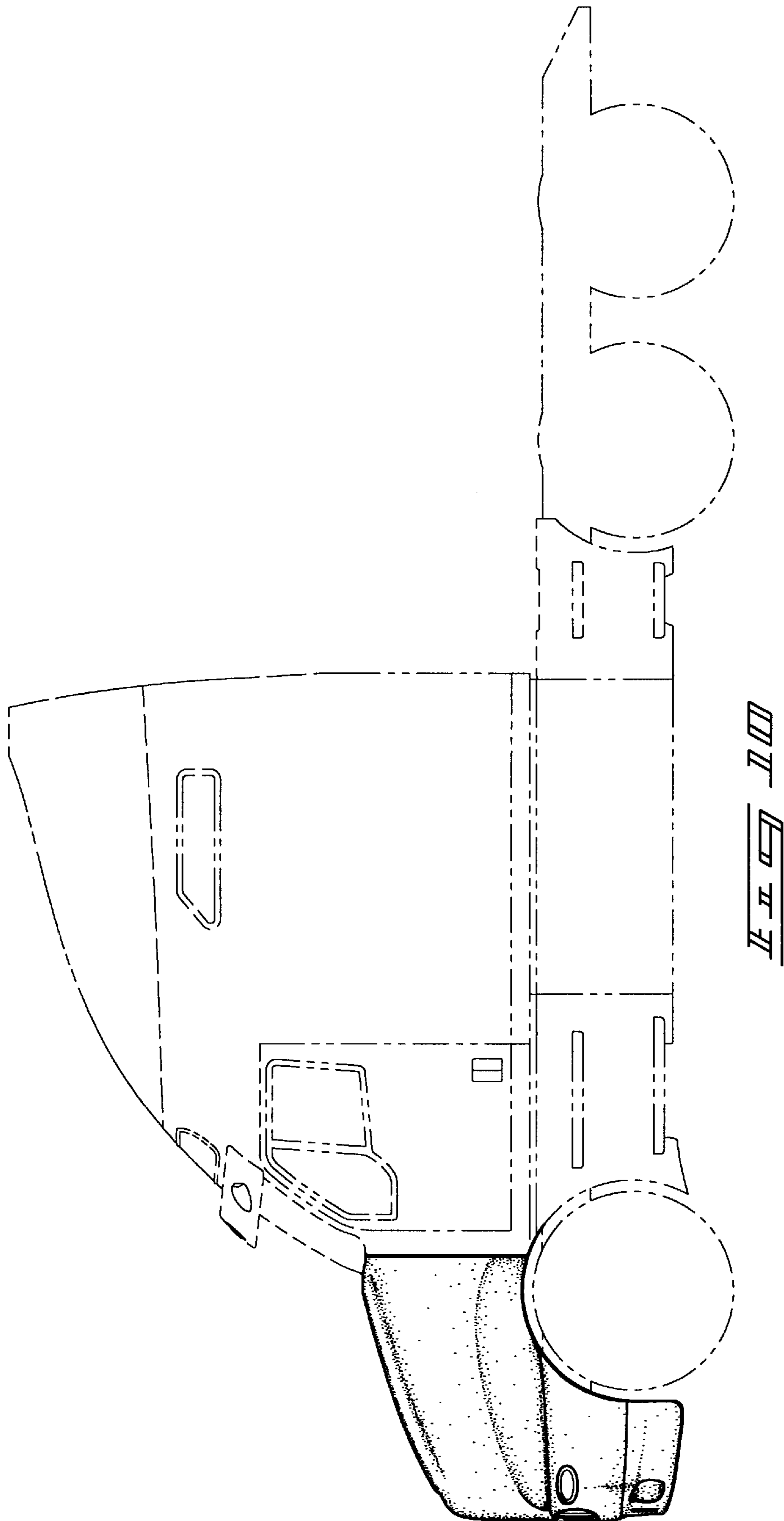


FIG. 9



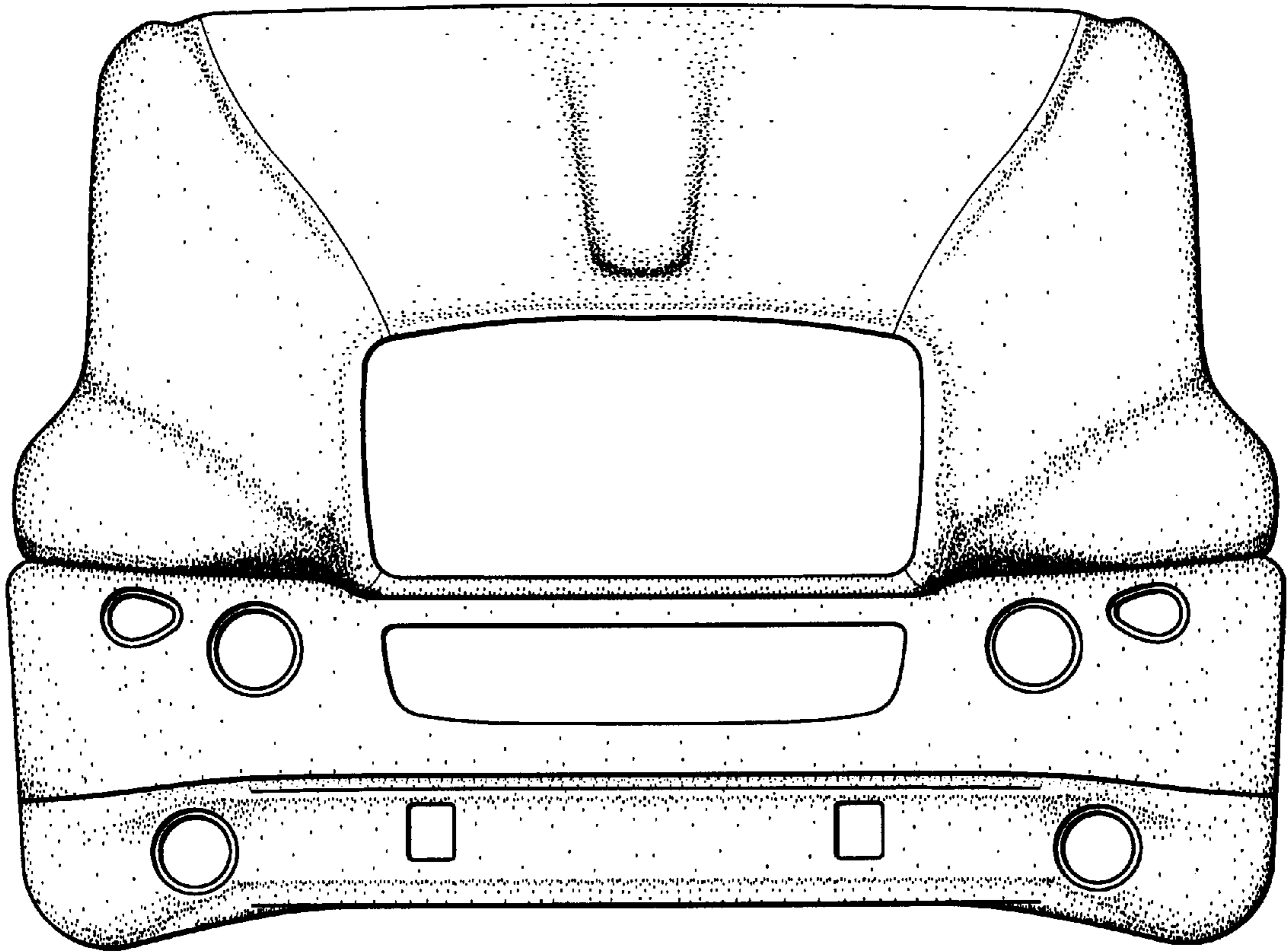


Fig. 11

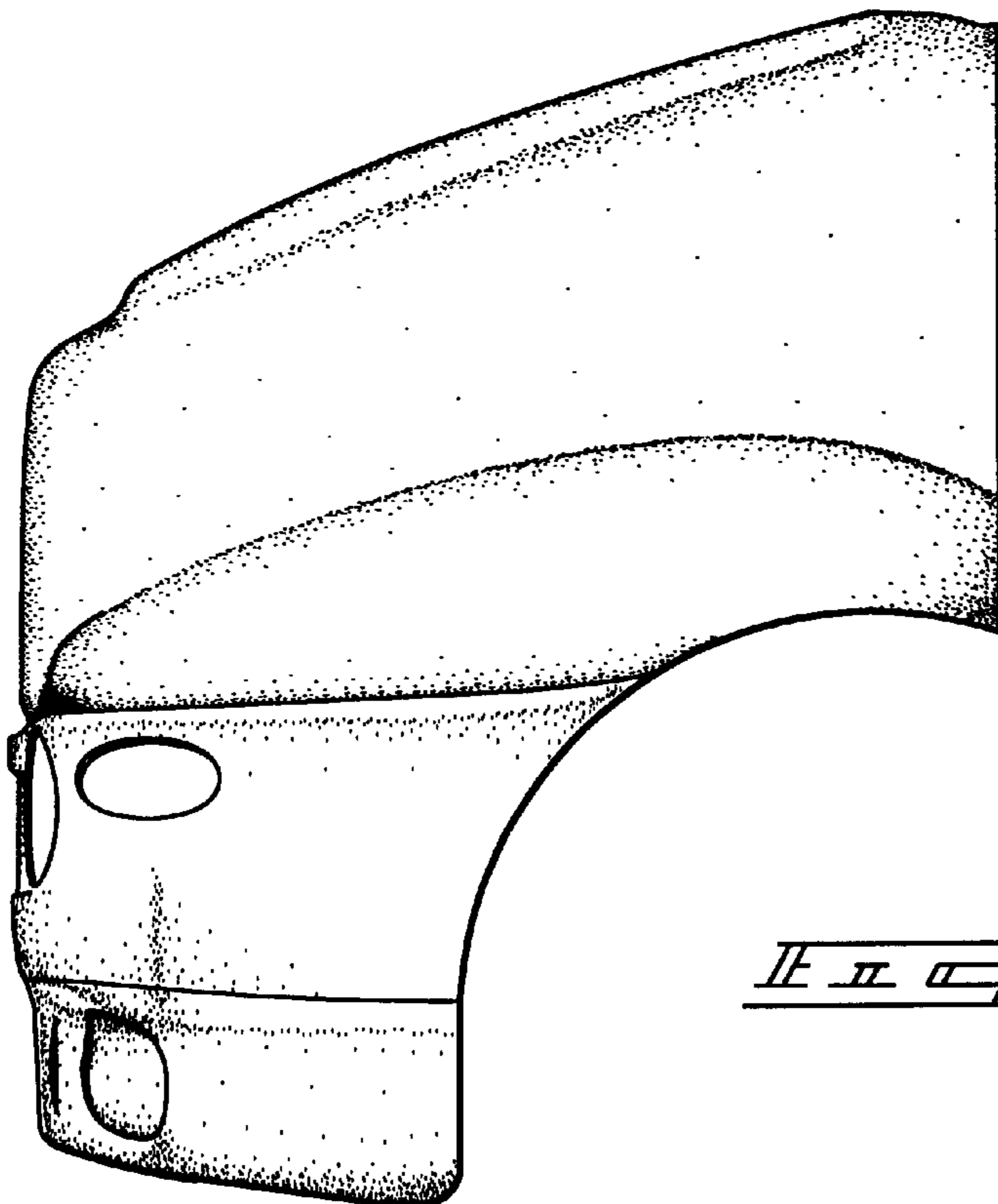


Fig. 12

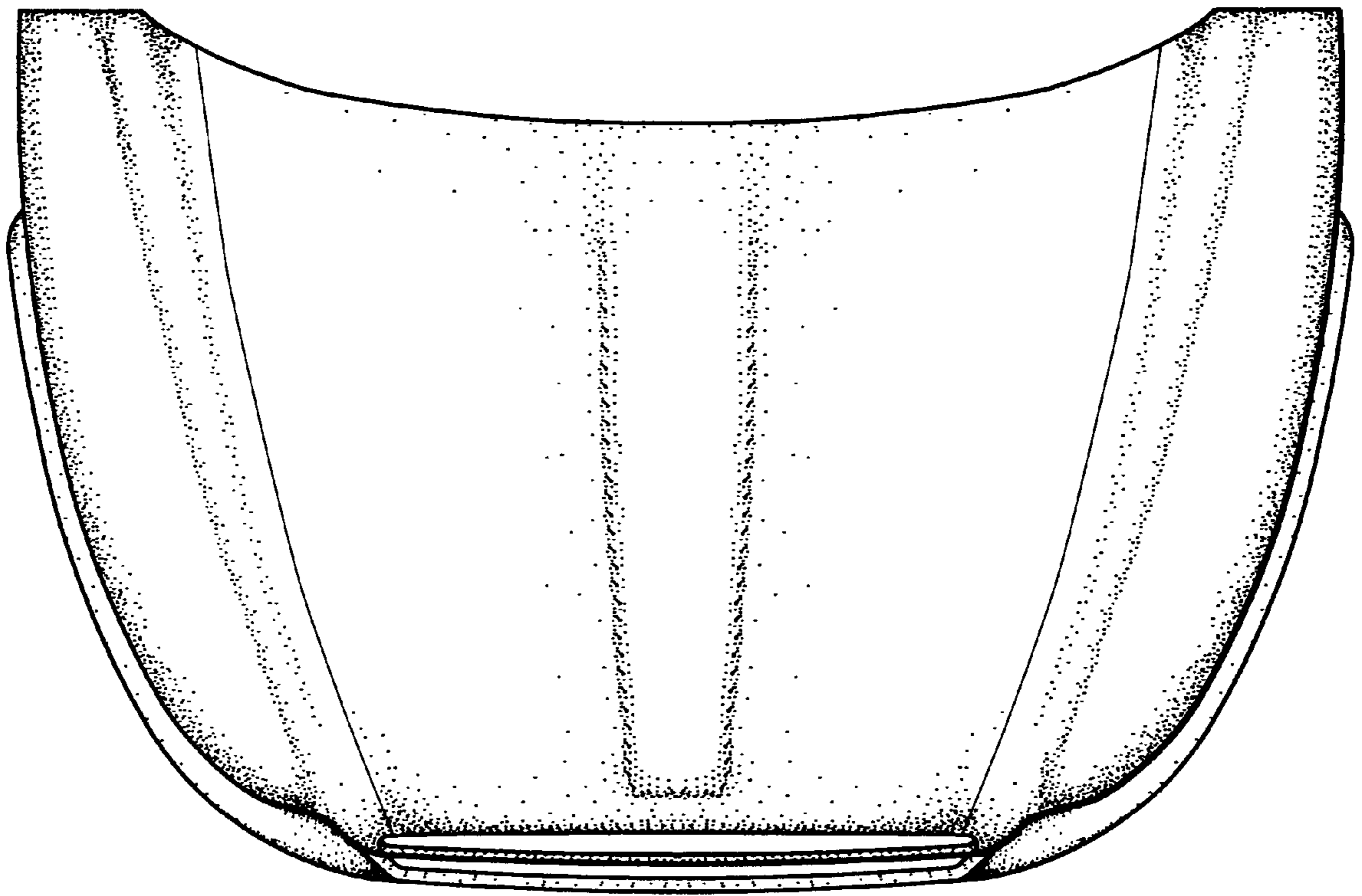


FIG. 10 FIG. 11

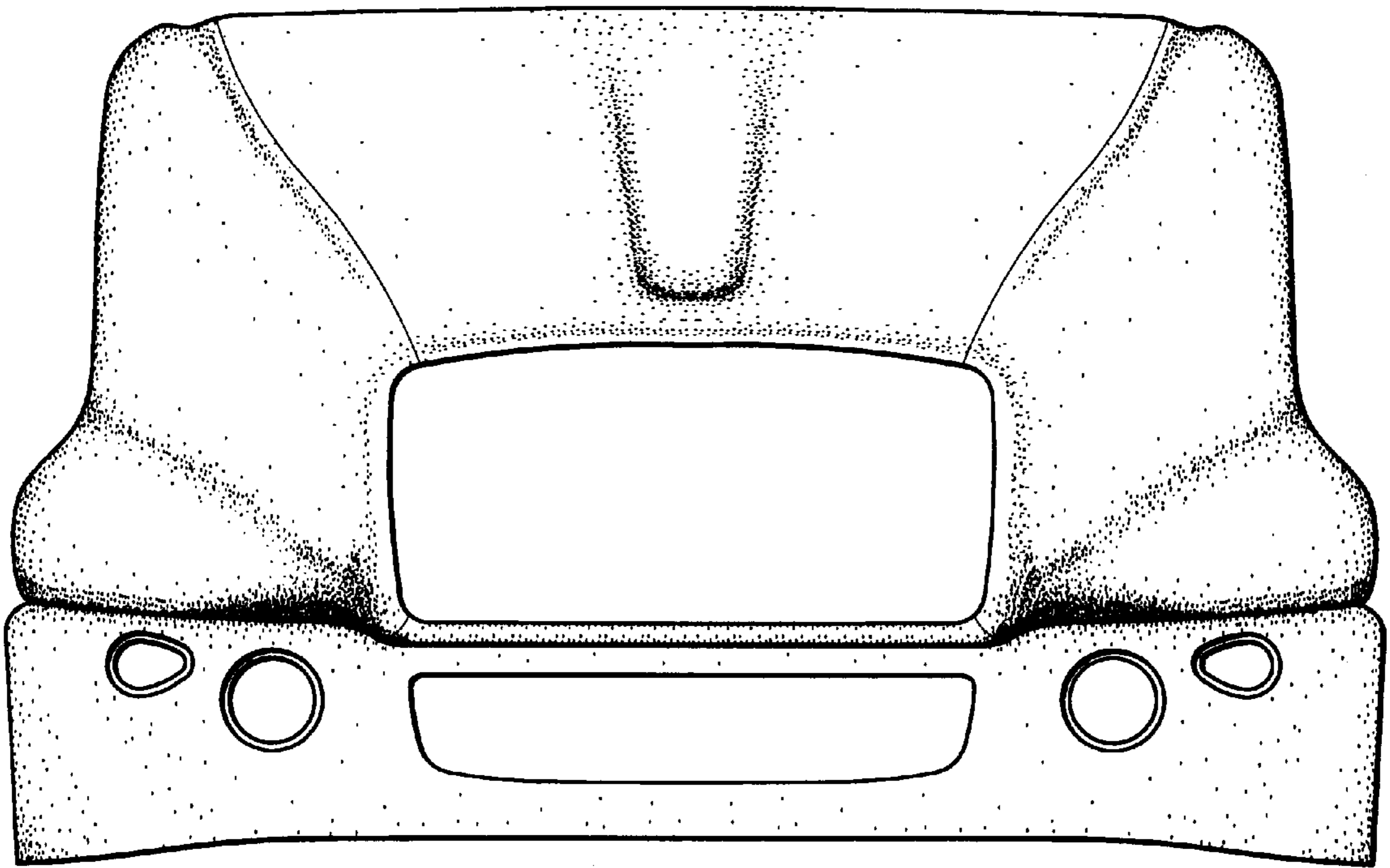


FIG. 14

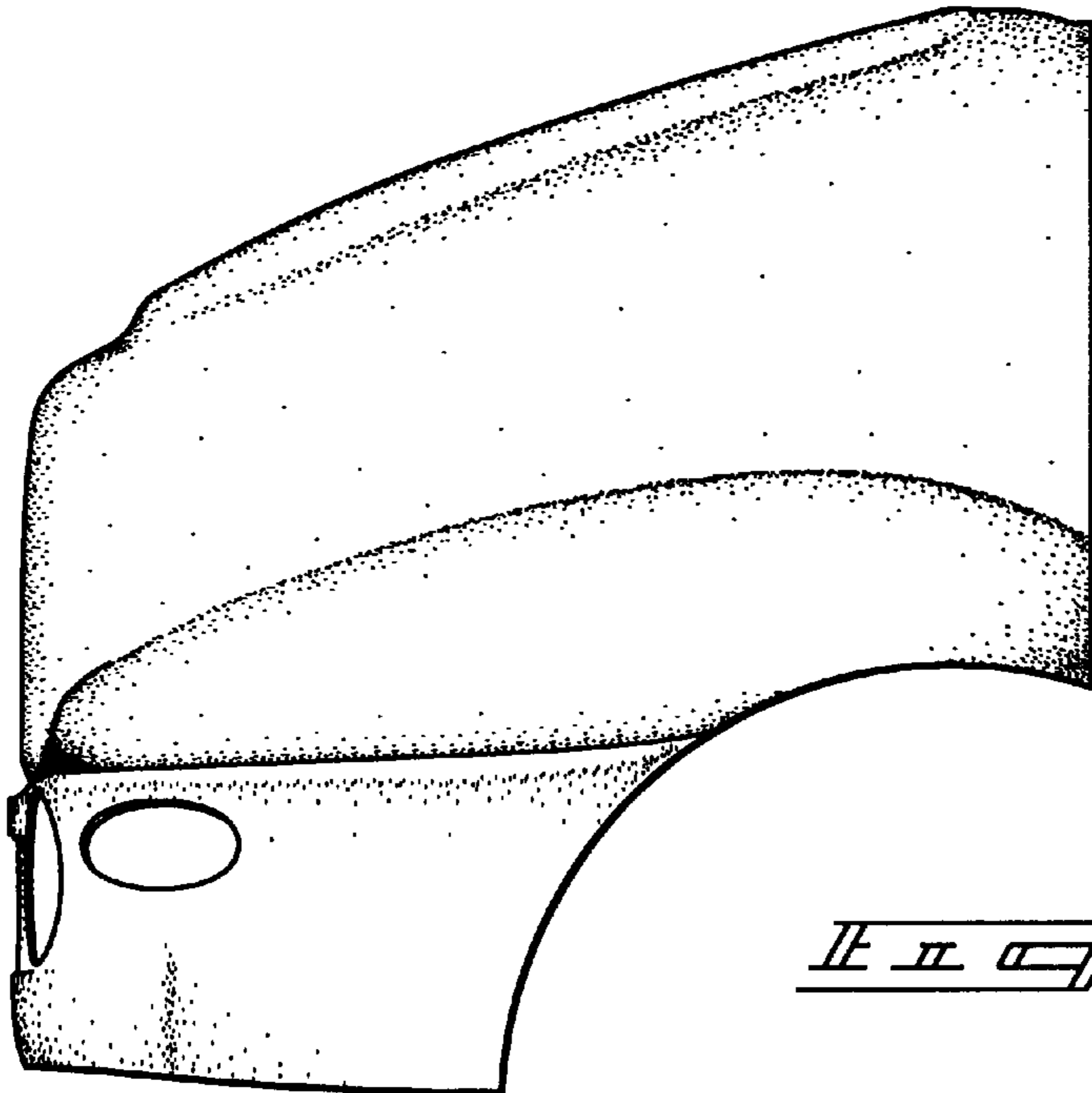
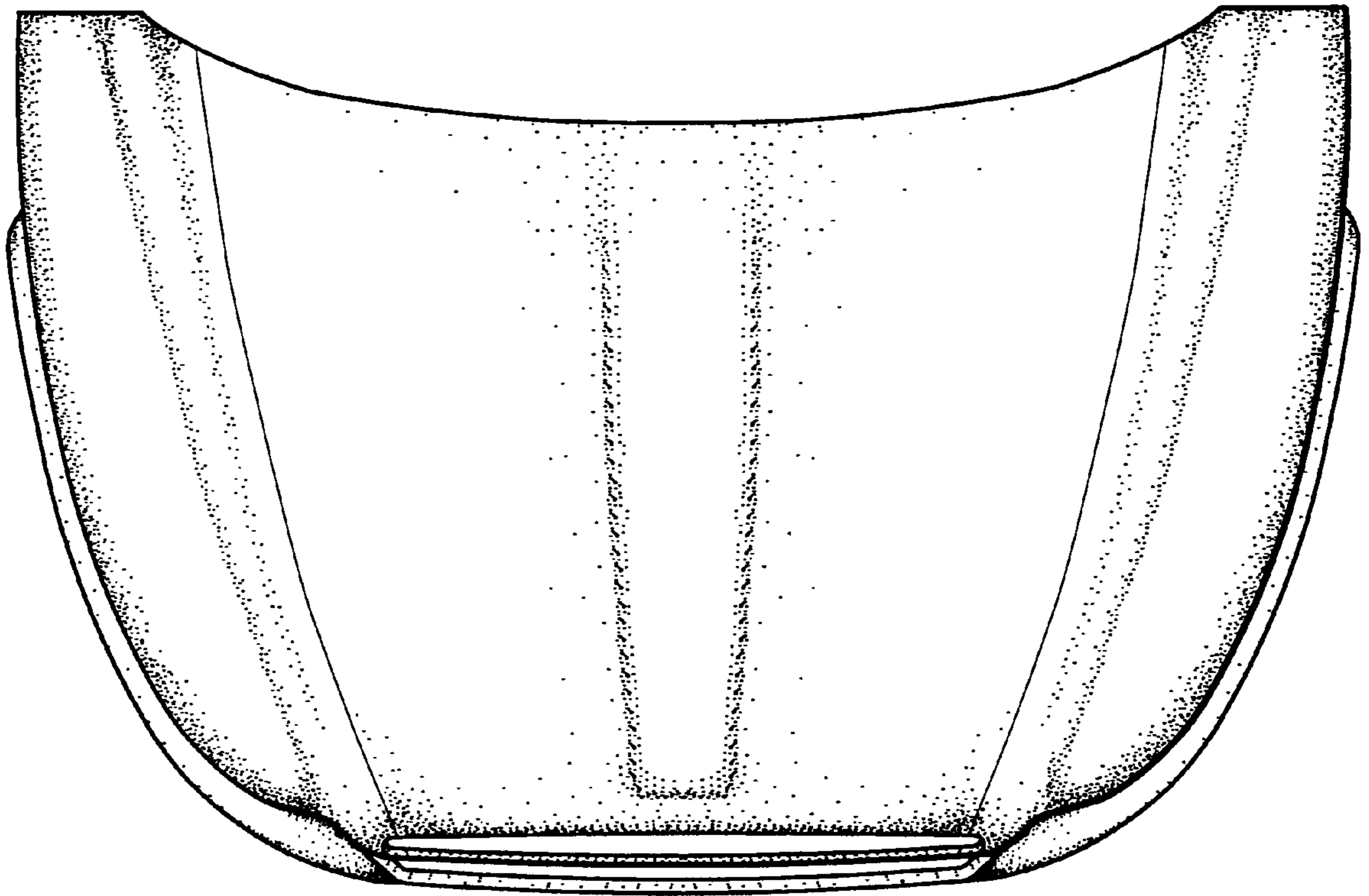


FIG. 15



115 116