



US00D411493S

**United States Patent** [19]  
**Davis, Jr.**

[11] **Patent Number: Des. 411,493**  
[45] **Date of Patent: \*\* Jun. 29, 1999**

[54] **VEHICLE GRILLE**  
[75] Inventor: **Herschel W. Davis, Jr.**, Winter Springs, Fla.  
[73] Assignee: **Wheeled Coach Industries, Inc.**, Winter Park, Fla.  
[\*\*] Term: **14 Years**  
[21] Appl. No.: **29/091,689**  
[22] Filed: **Aug. 4, 1998**  
[51] **LOC (6) Cl.** ..... **12-16**  
[52] **U.S. Cl.** ..... **D12/163**  
[58] **Field of Search** ..... D12/163, 164, D12/170; 180/68.6; 296/194

D. 355,156 2/1995 Davis ..... D12/163  
D. 366,859 2/1996 Davis, Jr. .... D12/163  
D. 401,543 11/1998 Mobley ..... D12/163

*Primary Examiner*—Melody N. Brown  
*Attorney, Agent, or Firm*—Shook, Hardy & Bacon L.L.P.

[57] **CLAIM**

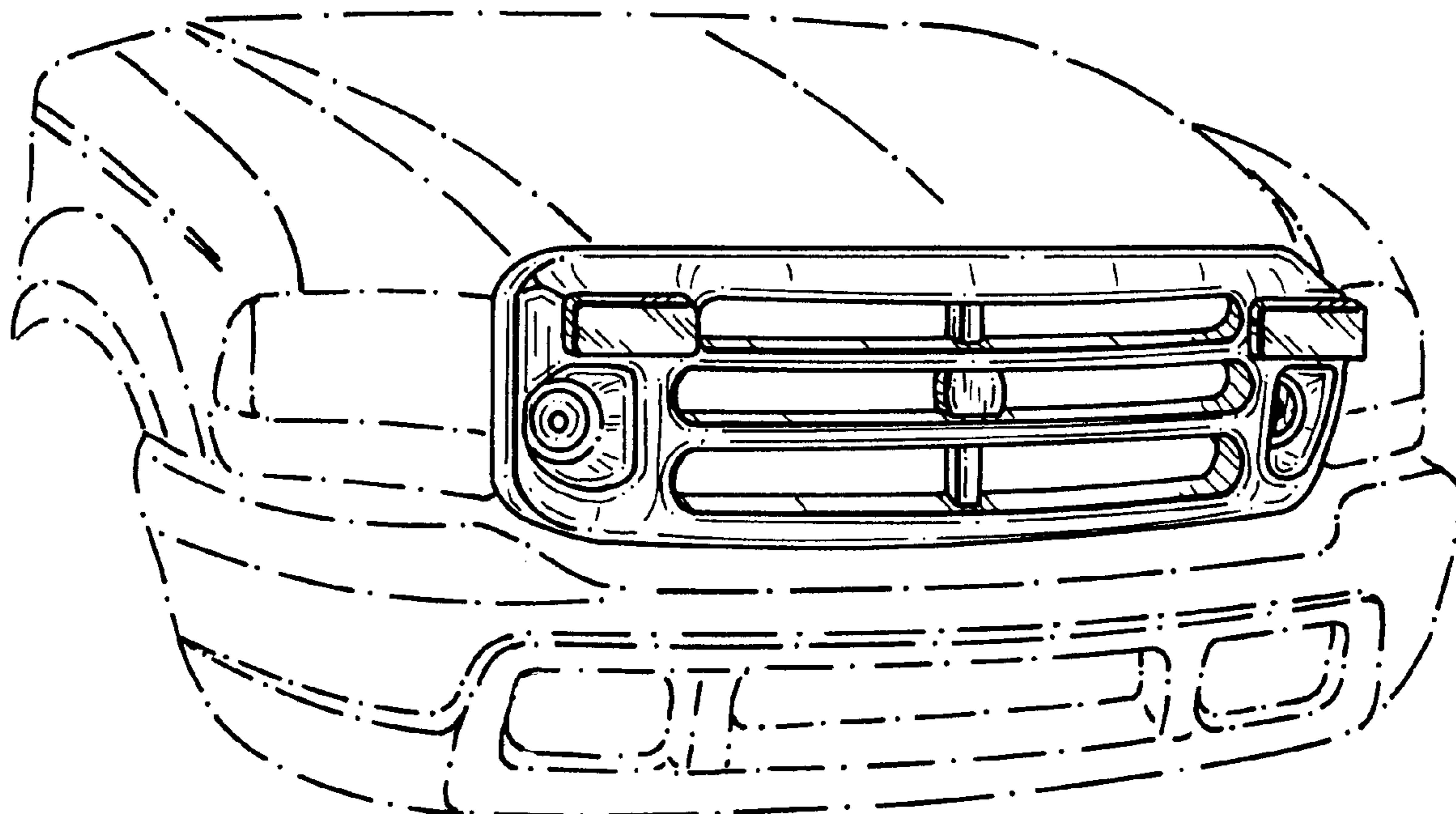
The ornamental design for a vehicle grille, as shown and described.

**DESCRIPTION**

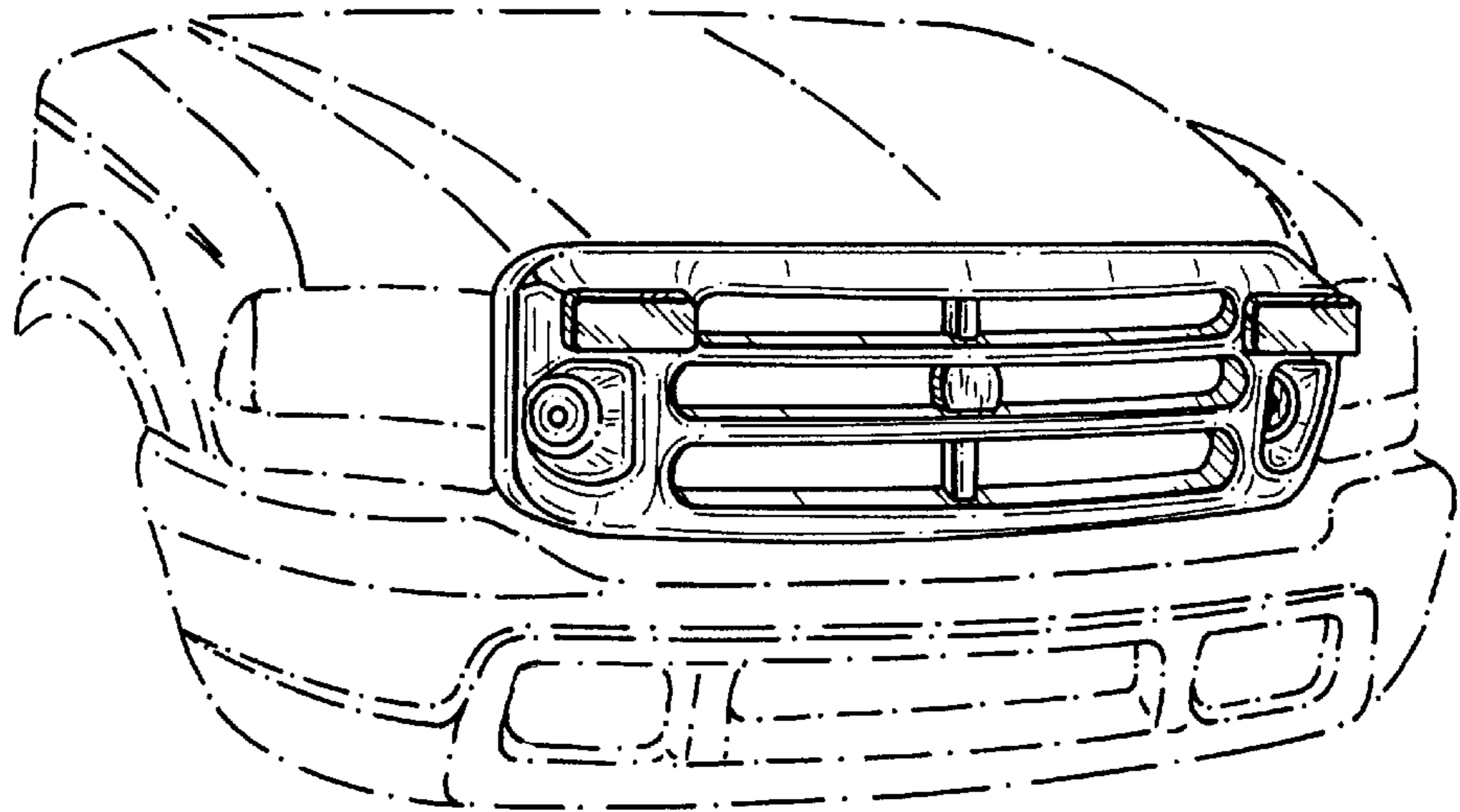
FIG. 1 is a front perspective view of a vehicle grille embodying my new design, the front of an automotive vehicle being shown fragmentally to show the environment in which the grille is used and not being part of the design; FIG. 2 is a front elevational view thereof; FIG. 3 is a rear elevational view thereof; FIG. 4 is a top plan view thereof; FIG. 5 is a bottom plan view thereof; and, FIG. 6 is a side elevational view, the side opposite being a mirror image of the side shown.

[56] **References Cited**  
**U.S. PATENT DOCUMENTS**  
D. 293,095 12/1987 Ienaga ..... D12/163  
D. 310,650 9/1990 Cressoni ..... D12/163  
D. 312,437 11/1990 Yamamoto ..... D12/163

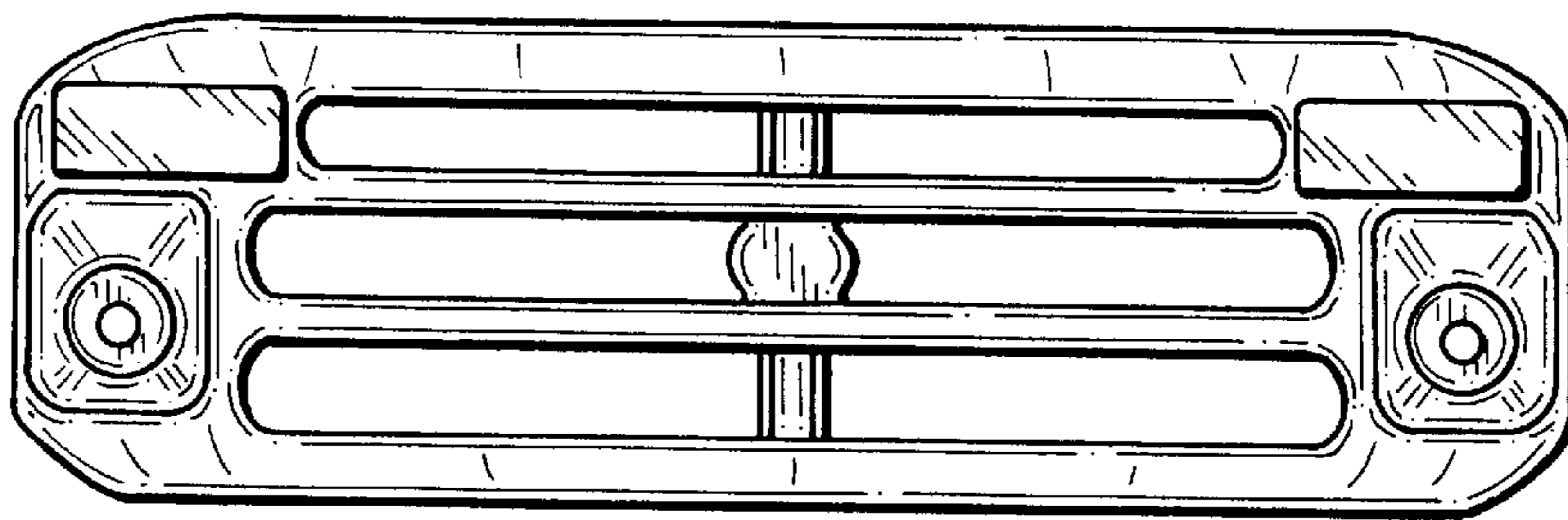
**1 Claim, 2 Drawing Sheets**



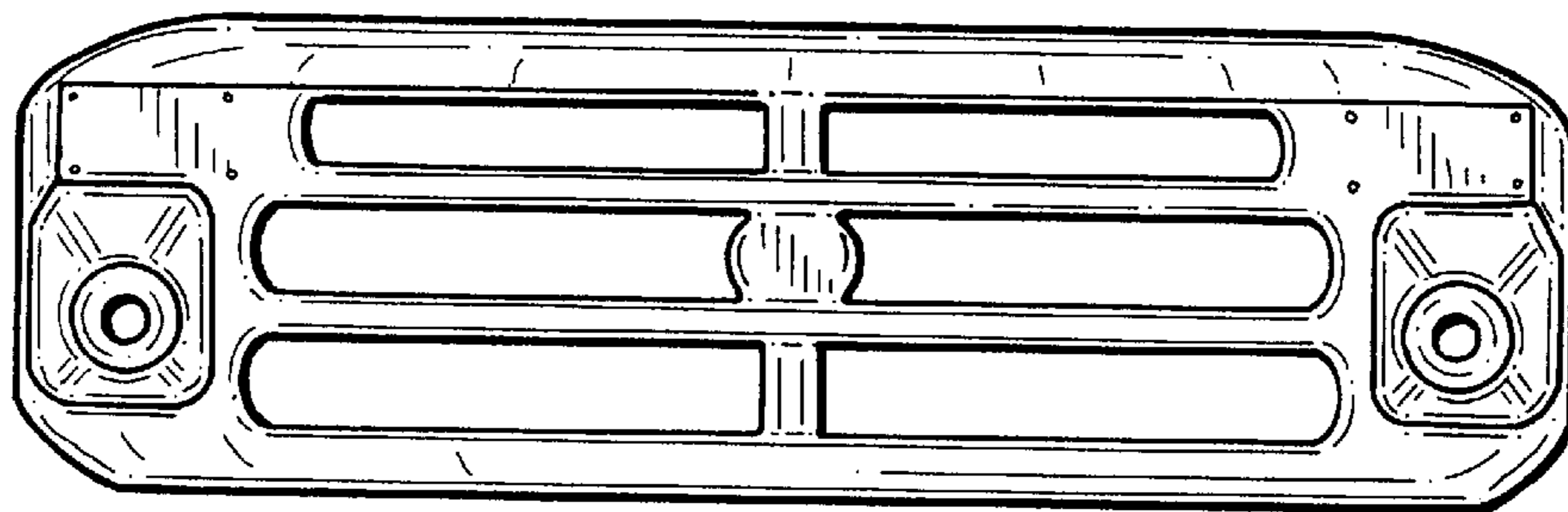
*FIG. 1*



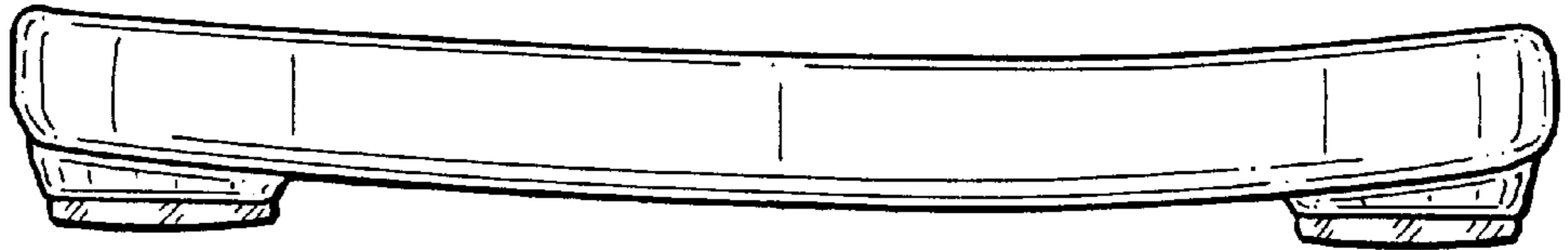
*FIG. 2*



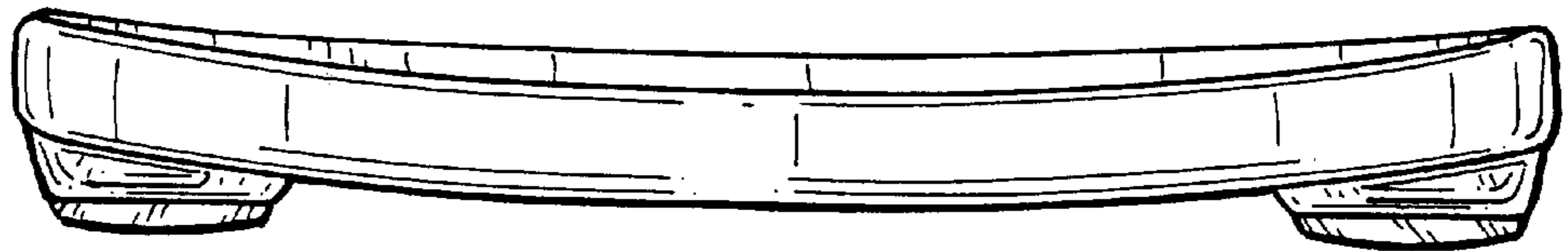
*FIG. 3*



*FIG. 4*



*FIG. 5*



*FIG. 6*

