



US00D411490S

United States Patent [19] Pierce

[11] **Patent Number: Des. 411,490**
[45] **Date of Patent: ** Jun. 29, 1999**

[54] **BOX CAR STROLLER**

[75] Inventor: **Donald L. Pierce**, Honolulu, Hi.

[73] Assignee: **American Box Car, Inc.**, Honolulu, Hi.

[**] Term: **14 Years**

[21] Appl. No.: **29/074,922**

[22] Filed: **Aug. 13, 1997**

[51] **LOC (6) Cl.** **12-12**

[52] **U.S. Cl.** **D12/129**

[58] **Field of Search** D12/129-133;
280/47, 35, 79.3, 650, 647, 37; 296/27,
35.4; D21/71, 72, 76, 78

[56] **References Cited**

U.S. PATENT DOCUMENTS

D. 155,025	8/1949	Nanna	D12/129
D. 361,049	8/1995	Beckman	D12/129
D. 364,132	11/1995	Badon et al.	D12/129
4,089,543	5/1978	Osborne	280/647

OTHER PUBLICATIONS

The Baby Jogger, The Baby Jogger Company.
Combi, 1997 Classic Catalogue, 1997.
JC Penny pp. 639 & 638.
Tricycle BMX MTB Collections.

Primary Examiner—Kay H. Chin
Attorney, Agent, or Firm—Seth M. Reiss

[57] **CLAIM**

I claim the ornamental design for a box car stroller, as shown and described.

DESCRIPTION

FIG. 1 is a perspective view showing the left side and front of my Box Car Stroller with rounded, enclosed trunk and spare tire;

FIG. 2 is a left side elevational view thereof (right-side is a mirror image);

FIG. 3 is a top plan view thereof;

FIG. 4 is a front elevational view thereof;

FIG. 5 is a rear elevational view thereof;

FIG. 6 is a perspective view of the left-side and rear showing a second embodiment of the design FIG. 1 with angular, open trunk;

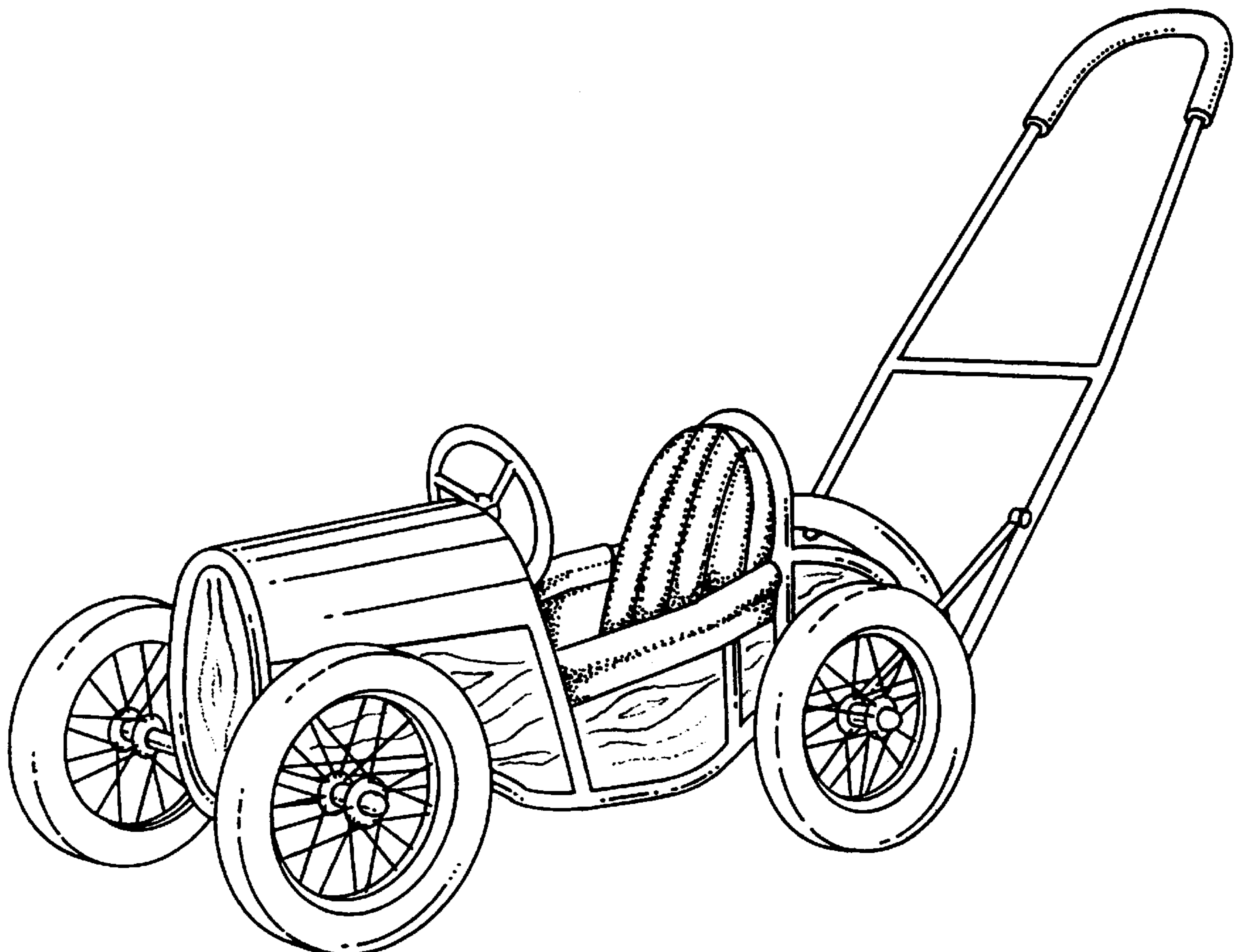
FIG. 7 is a top plan view of the alternate embodiment of FIG. 6 with the trunk in open condition;

FIG. 8 is a perspective view of the left-side and rear showing a third embodiment of the design of FIG. 1 with cylindrical trunk; and,

FIG. 9 is a left-side elevational view of the alternate embodiment of FIG. 8.

The bottom views are flat and unornamented.

1 Claim, 5 Drawing Sheets



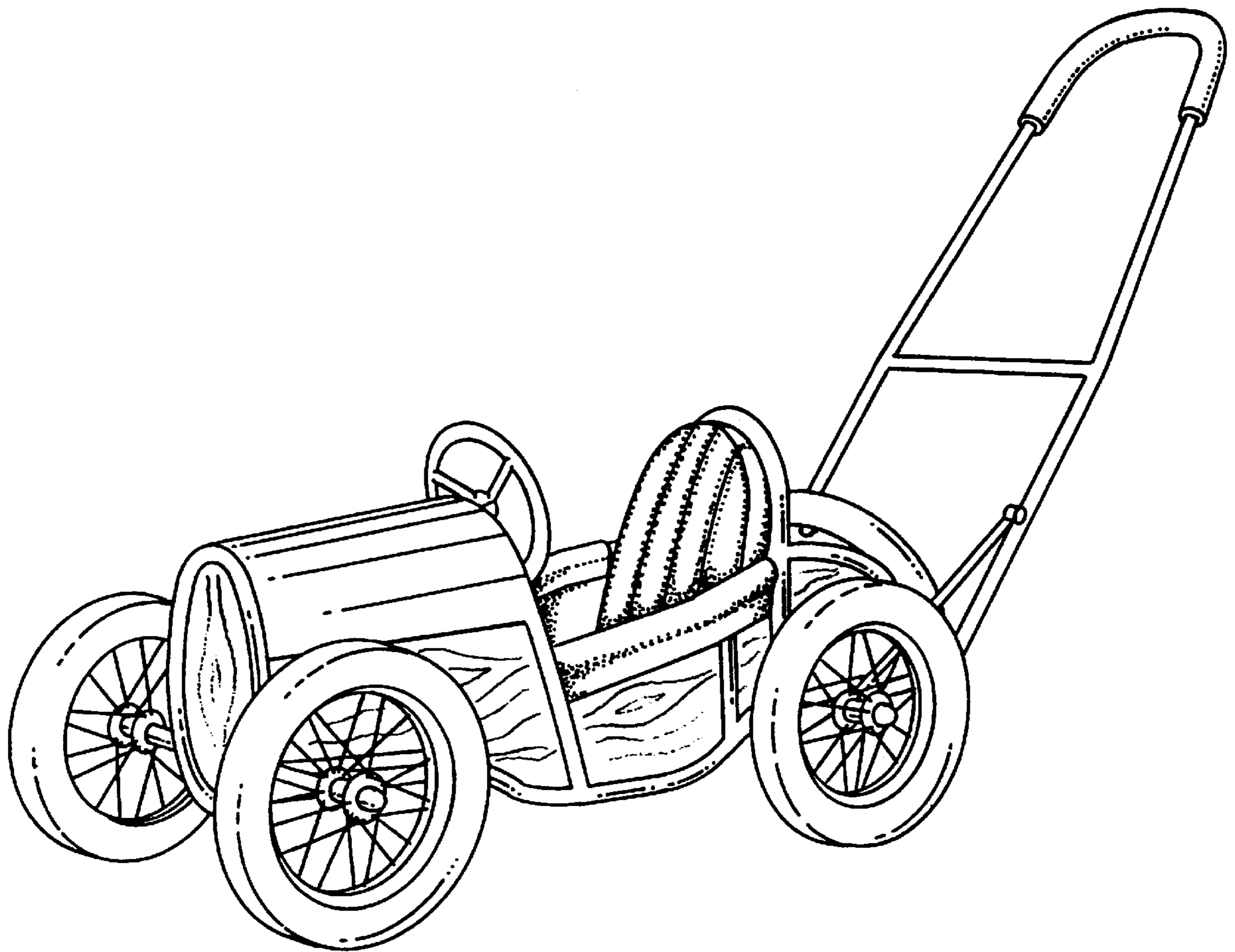


FIG. 1

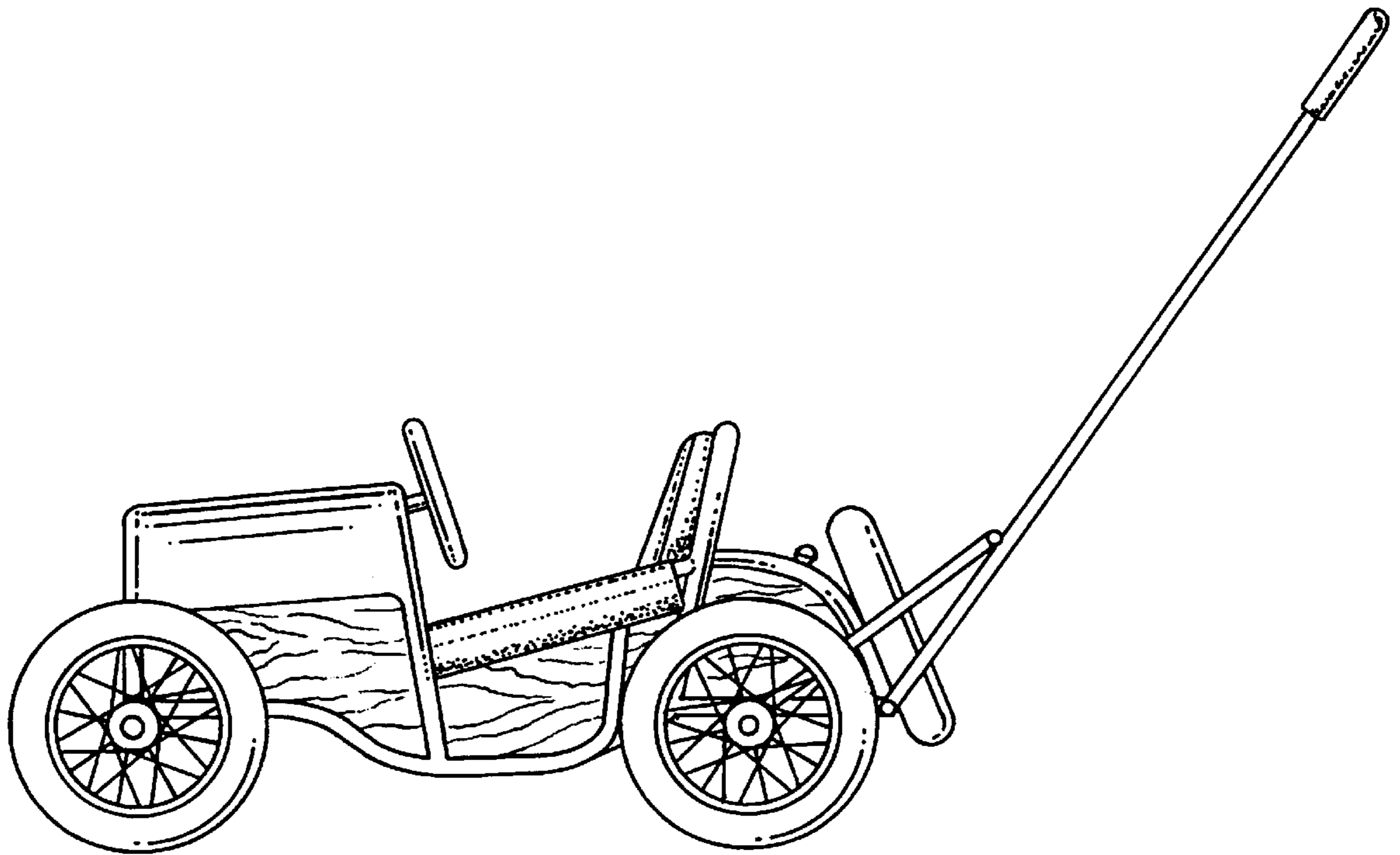


FIG. 2

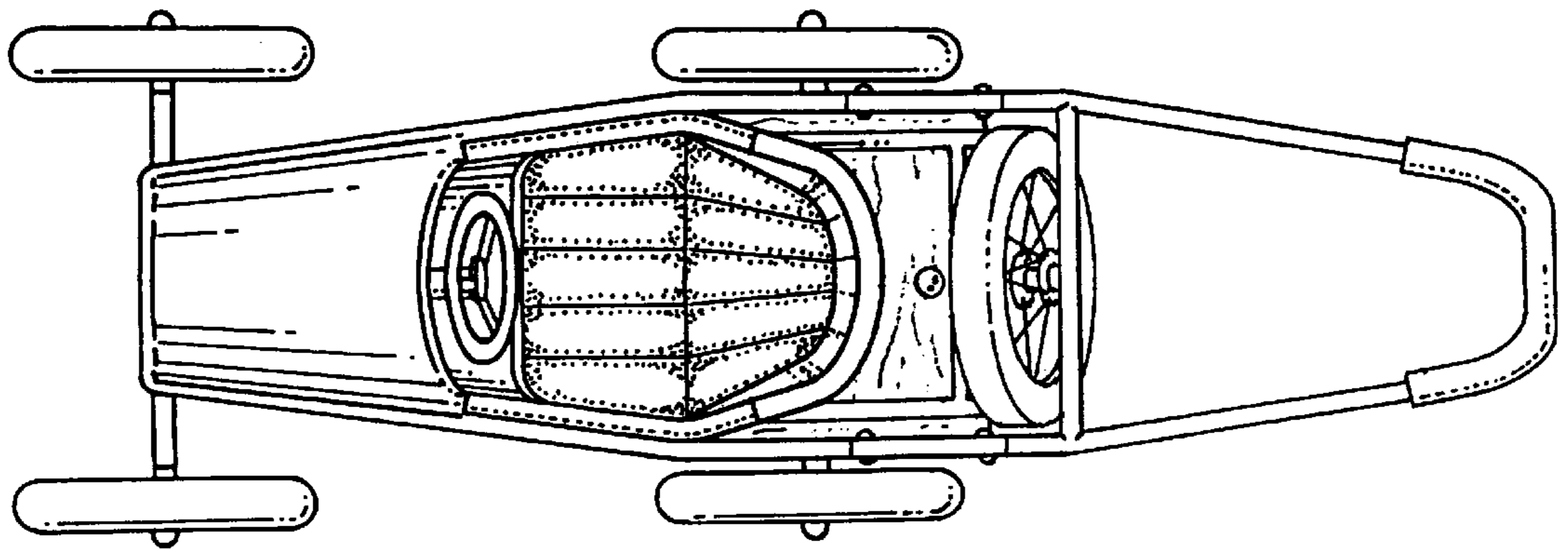


FIG. 3

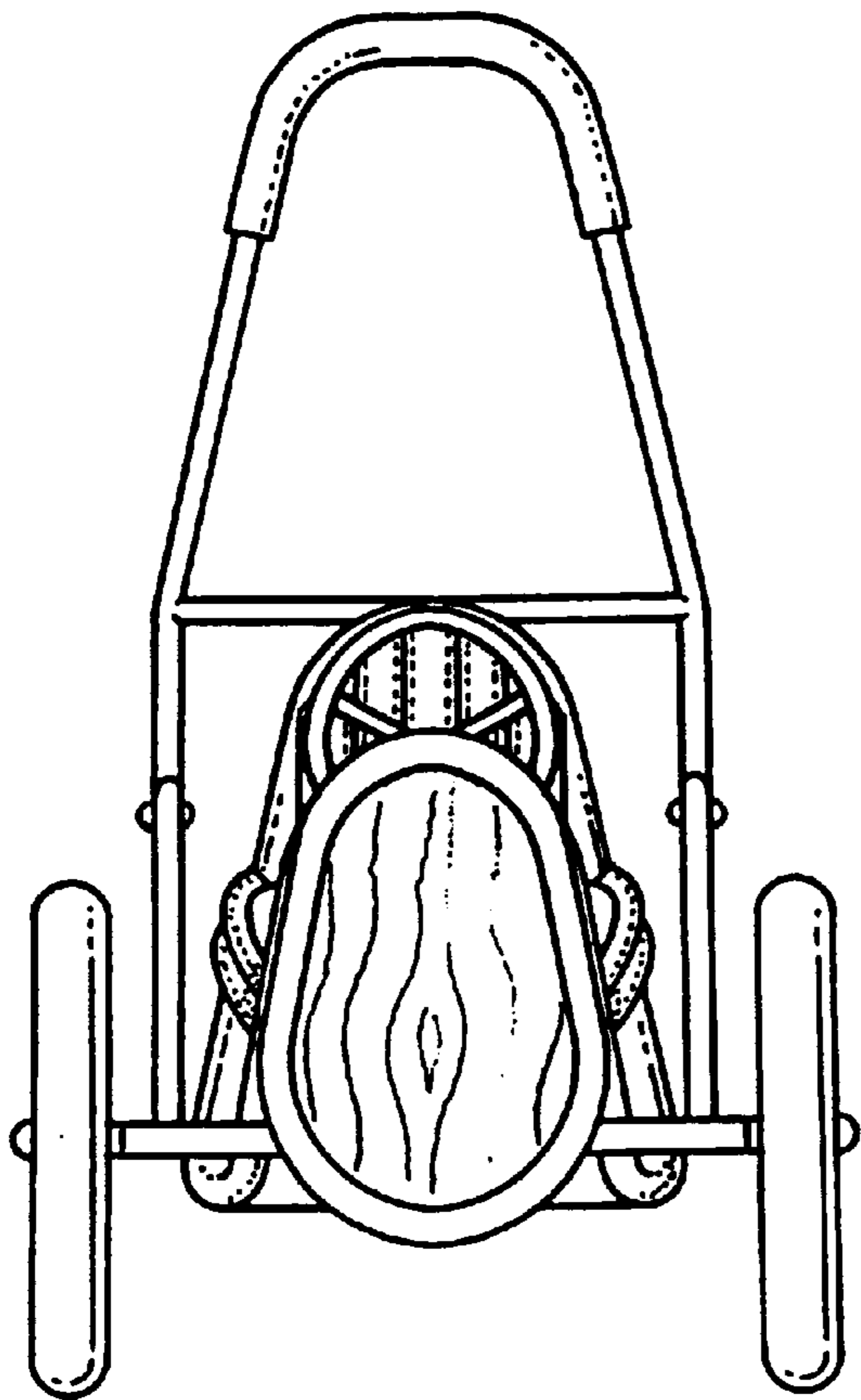


FIG. 4

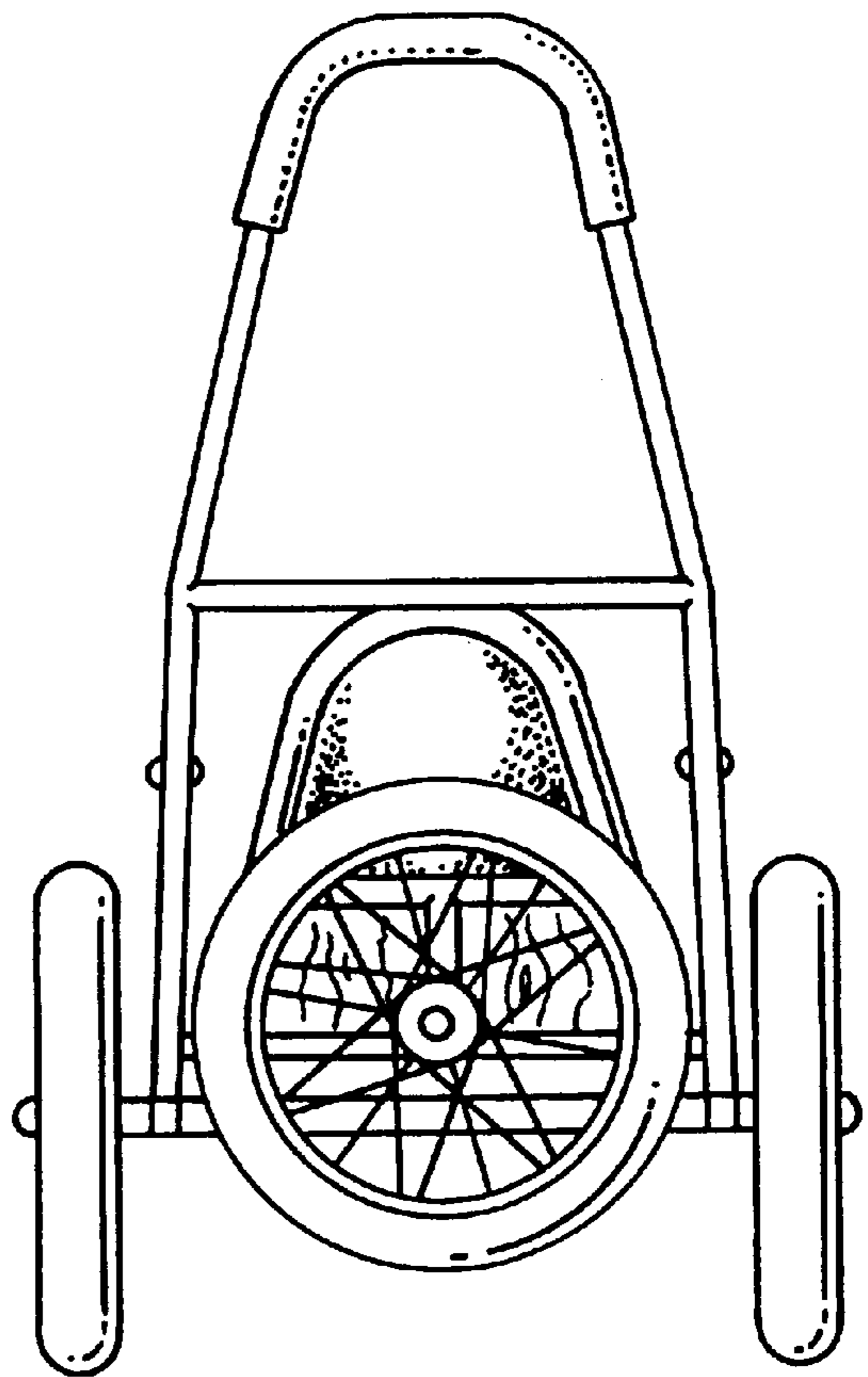


FIG. 5

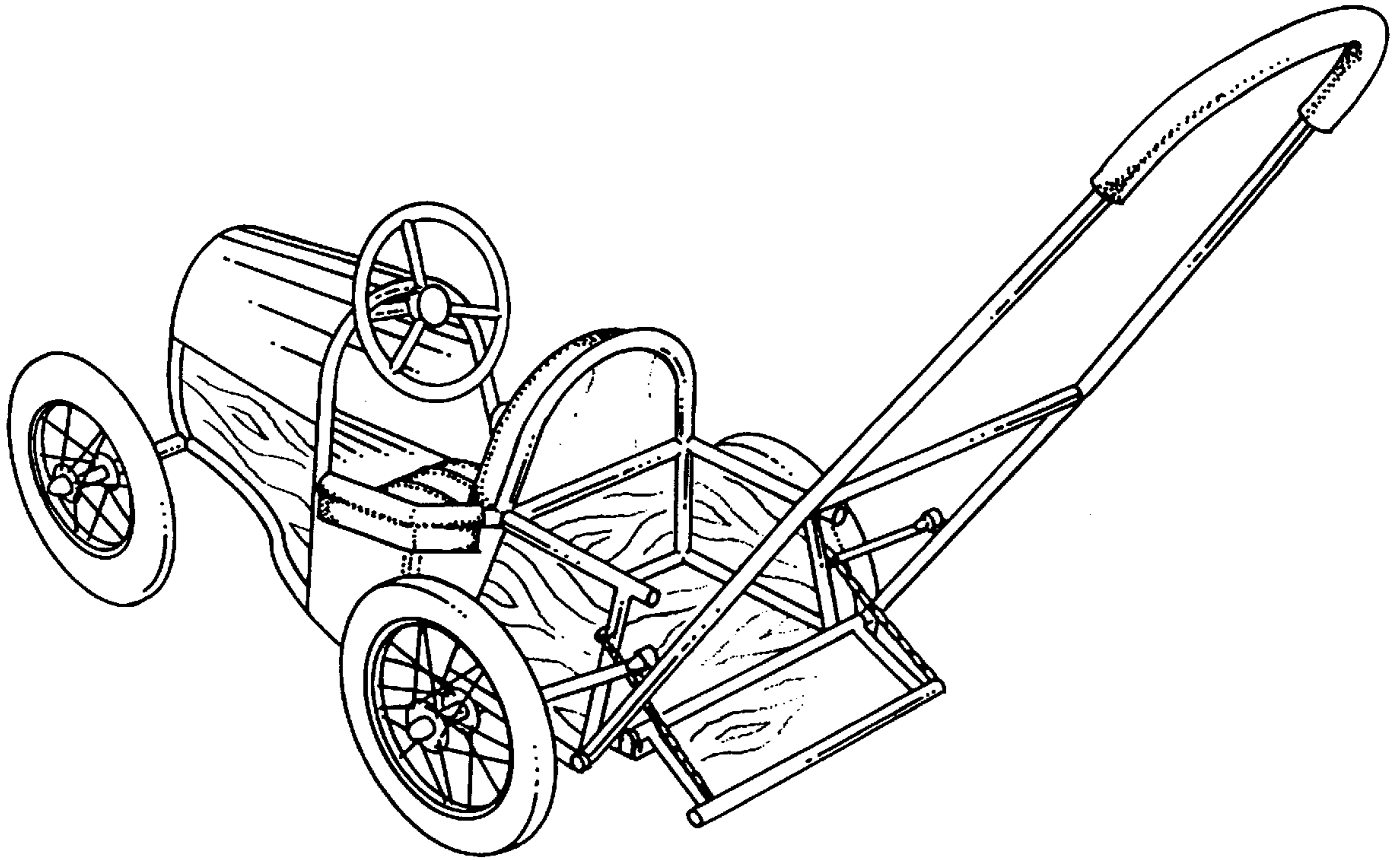


FIG. 6

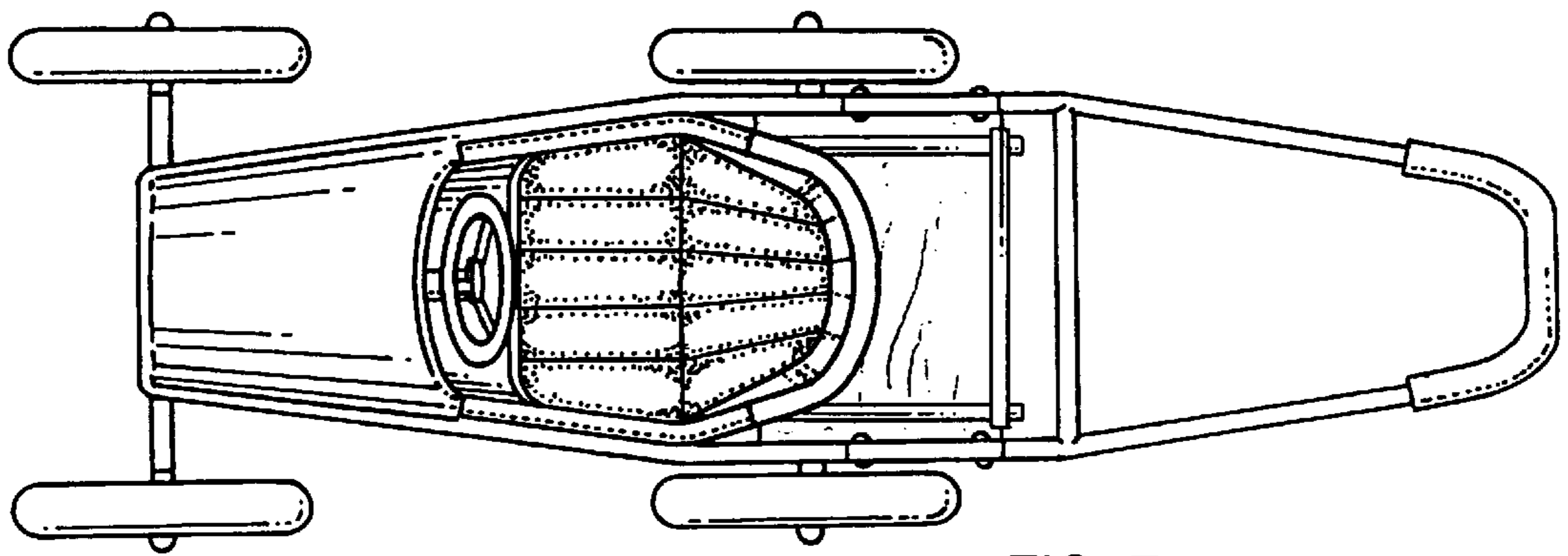


FIG. 7

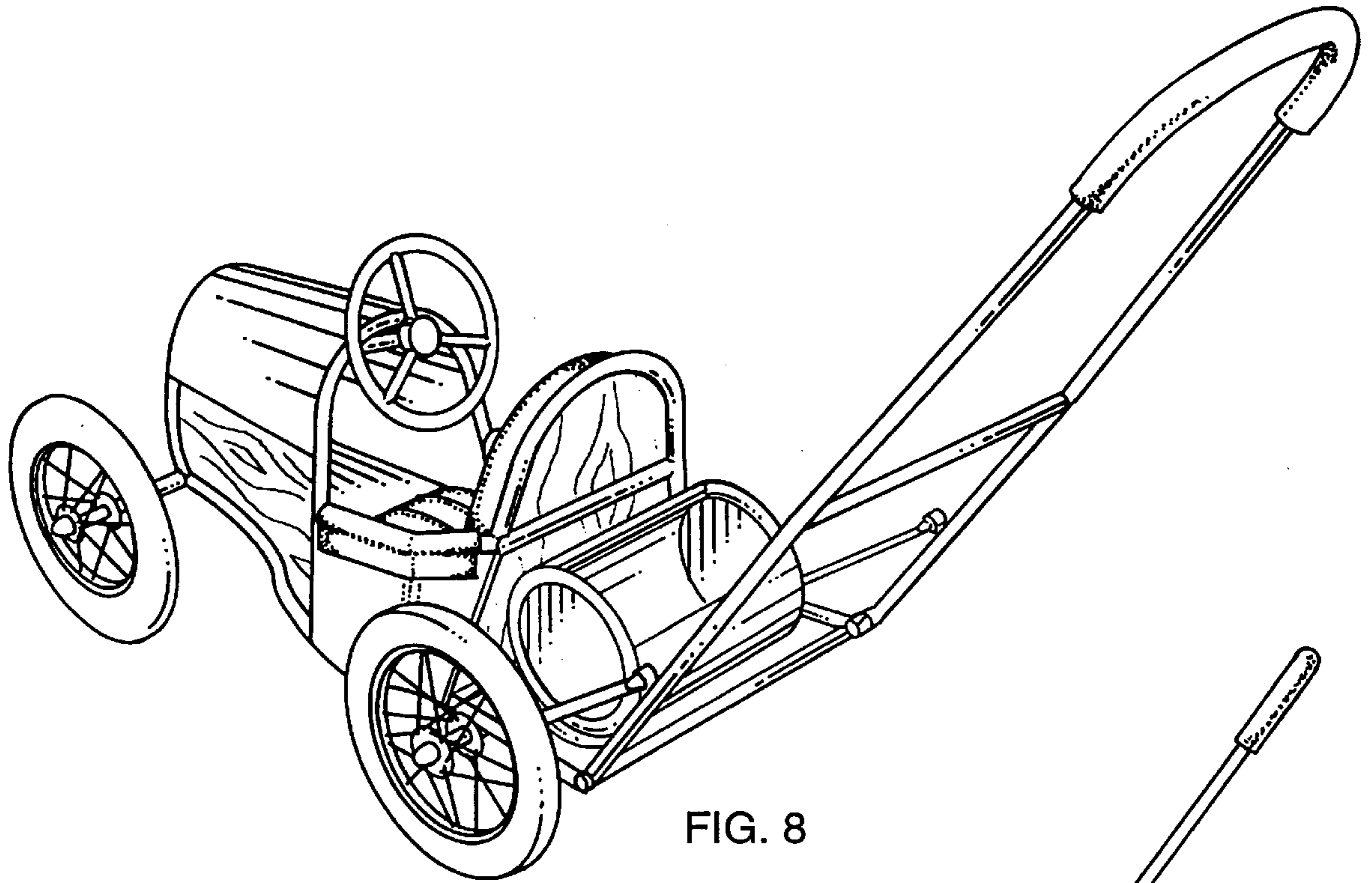


FIG. 8

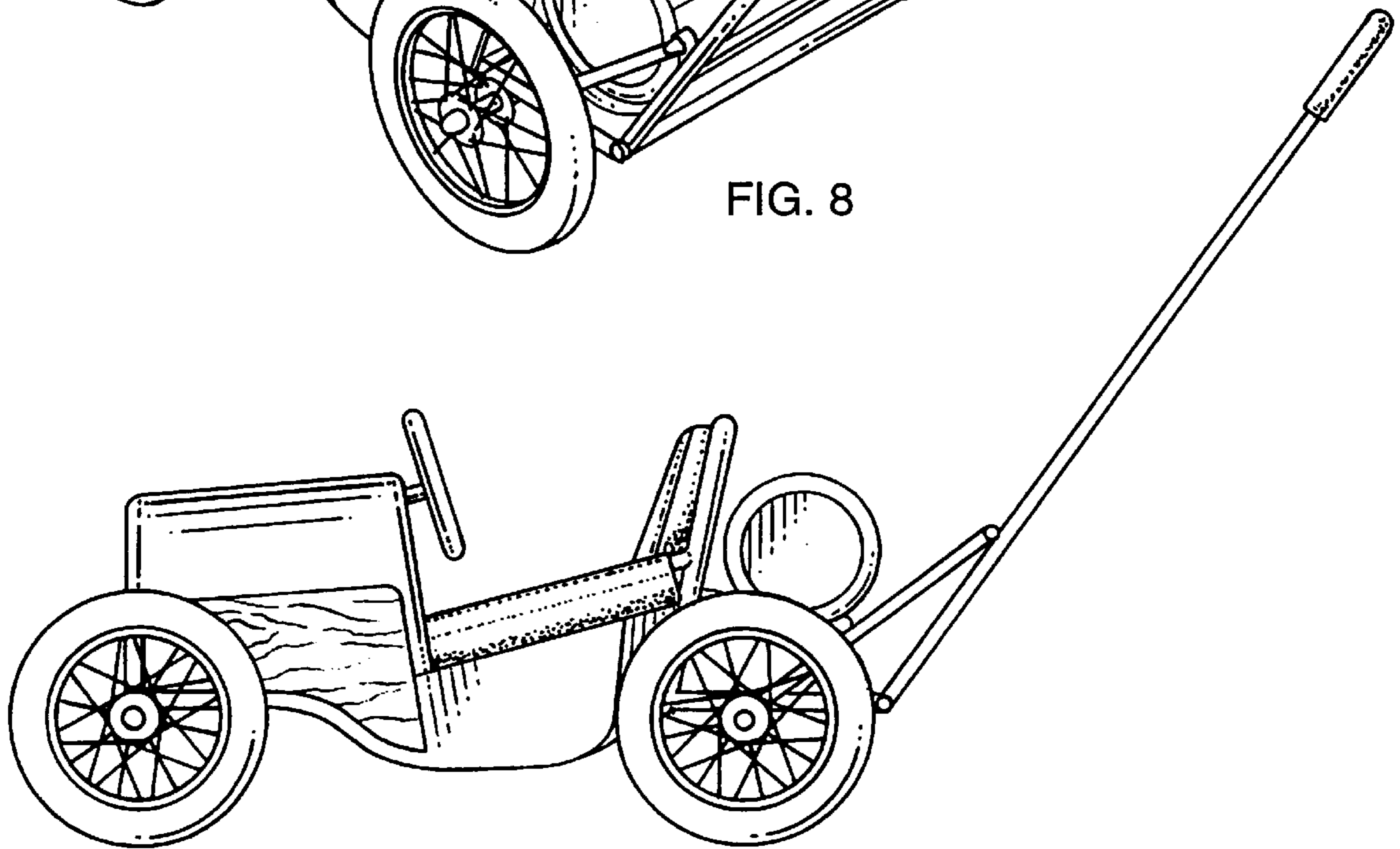


FIG. 9