



US00D411488S

# United States Patent [19]

Tarrence

[11] **Patent Number: Des. 411,488**

[45] **Date of Patent: \*\* Jun. 29, 1999**

[54] **BICYCLE SUPPORT**

[75] Inventor: **Gary R. Tarrence**, 2426 C St., Apt. 5,  
Lincoln, Nebr. 68502

[73] Assignees: **Gary R. Tarrence; Lary P. Lehman**,  
both of Lincoln, Nebr.

[\*\*] Term: **14 Years**

[21] Appl. No.: **29/070,110**

[22] Filed: **Apr. 30, 1997**

[51] **LOC (6) Cl.** ..... **12-11**

[52] **U.S. Cl.** ..... **D12/115**

[58] **Field of Search** ..... D12/115; 211/17-22

[56] **References Cited**

**U.S. PATENT DOCUMENTS**

D. 353,353	12/1994	Katsaros	.....	D12/115
D. 372,691	8/1996	Eason	.....	D12/115
4,846,353	7/1989	Knight et al.	.....	211/22
5,025,932	6/1991	Jay	.....	211/20

5,320,227	6/1994	Minoura	.....	211/22
5,385,246	1/1995	Grossnickle	.....	211/22

*Primary Examiner*—Melody N Brown  
*Attorney, Agent, or Firm*—Zarley,McKee,Thomte, Voorhees  
& Sease; Dennis L. Thomte

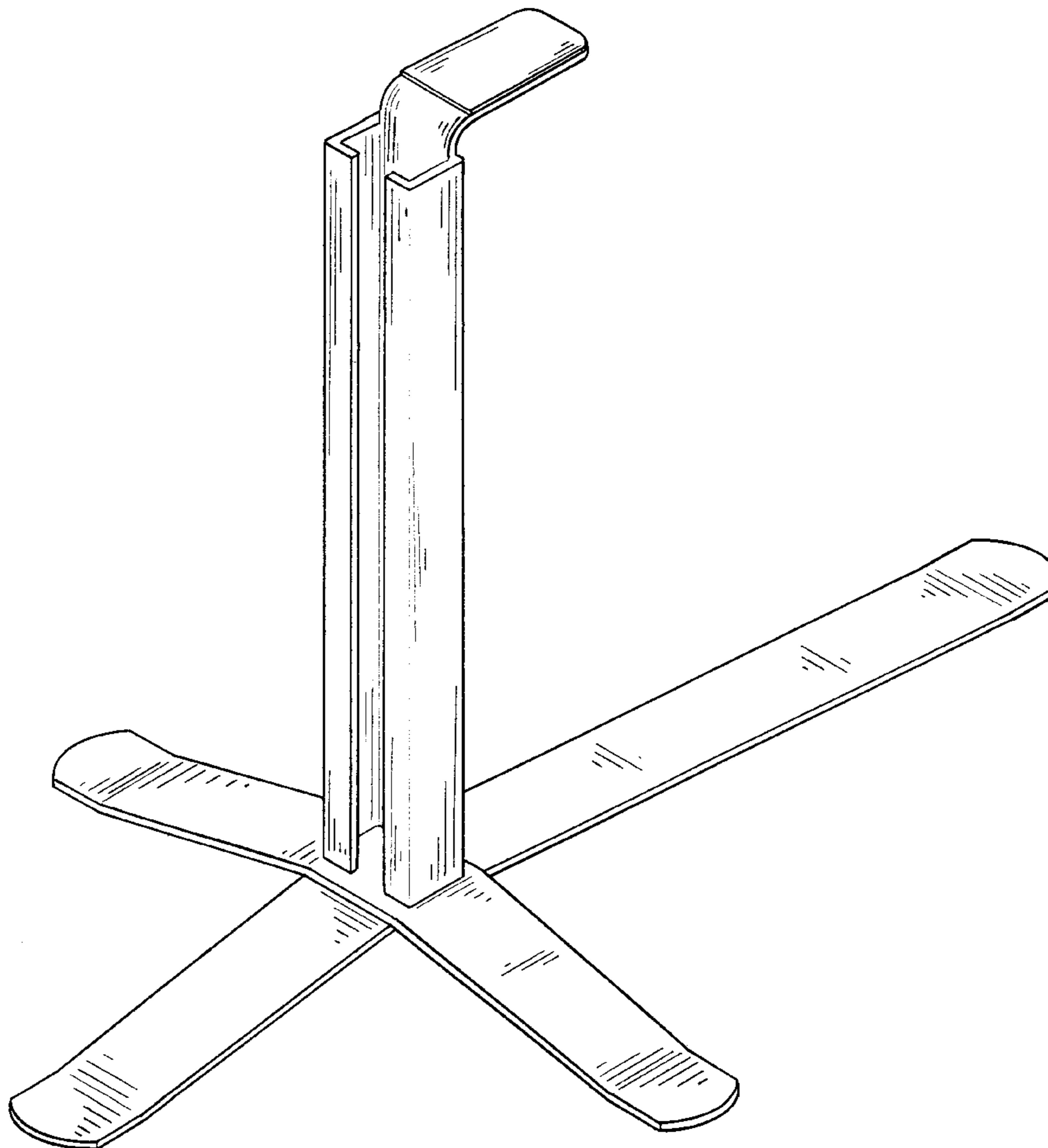
[57] **CLAIM**

The ornamental design for a bicycle support, as shown in the drawings.

**DESCRIPTION**

FIG. 1 is a perspective view of the bicycle support showing my new design;  
FIG. 2 is a side elevational view thereof, taken from the right side of FIG. 1;  
FIG. 3 is a front elevational view thereof, the rear elevational view being a mirror image thereof;  
FIG. 4 is a side elevational view taken from the left side of FIG. 1;  
FIG. 5 is a top plan view thereof; and,  
FIG. 6 is a bottom plan view thereof.

**1 Claim, 2 Drawing Sheets**



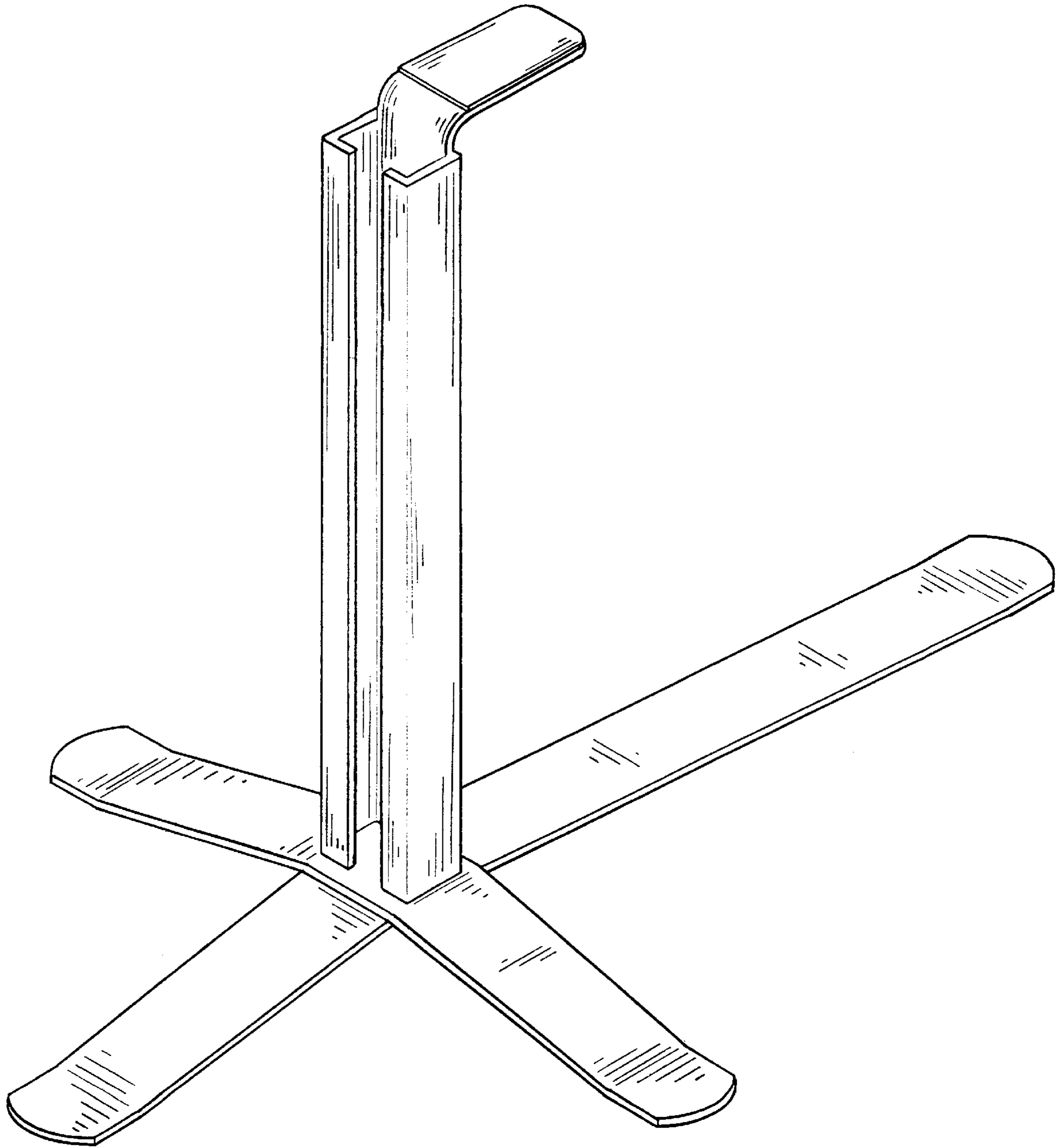


FIG. 1

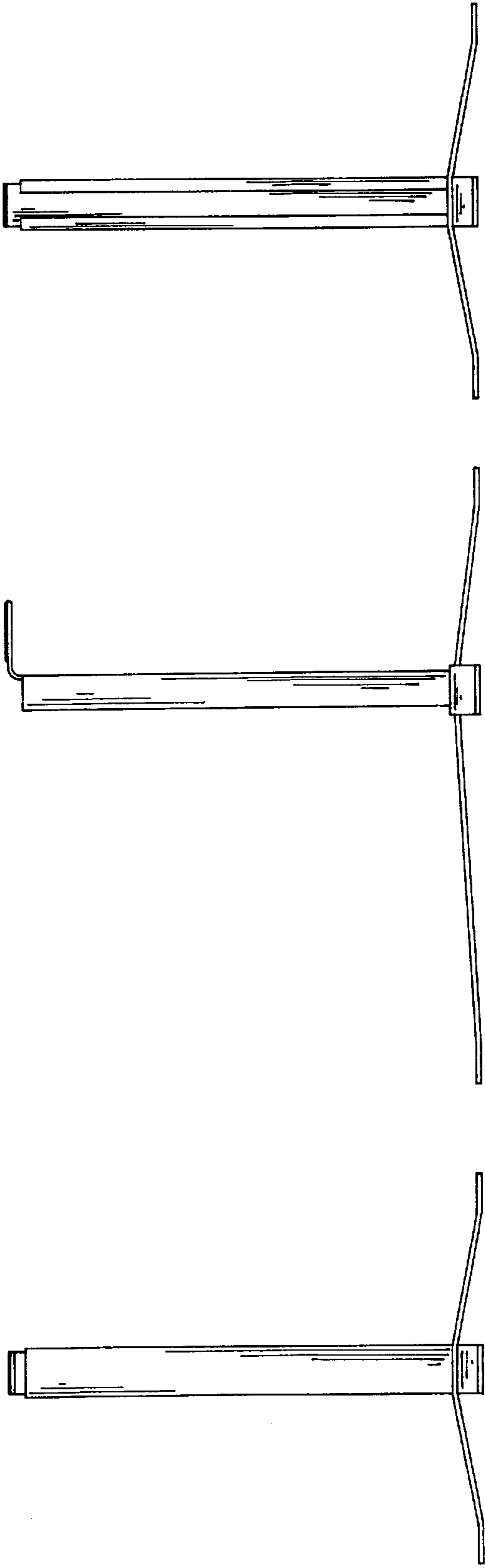


FIG. 2

FIG. 3

FIG. 4

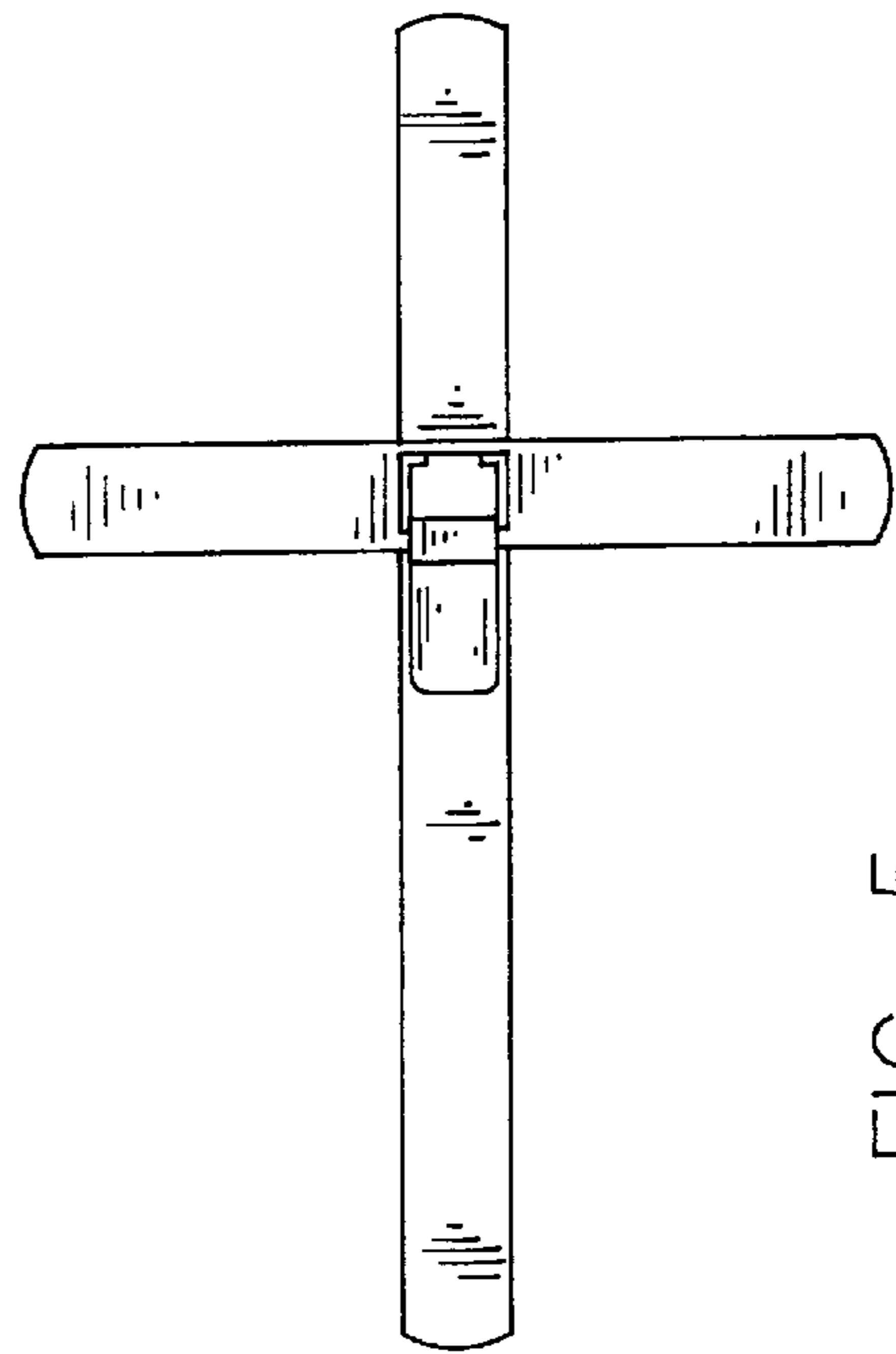


FIG. 5

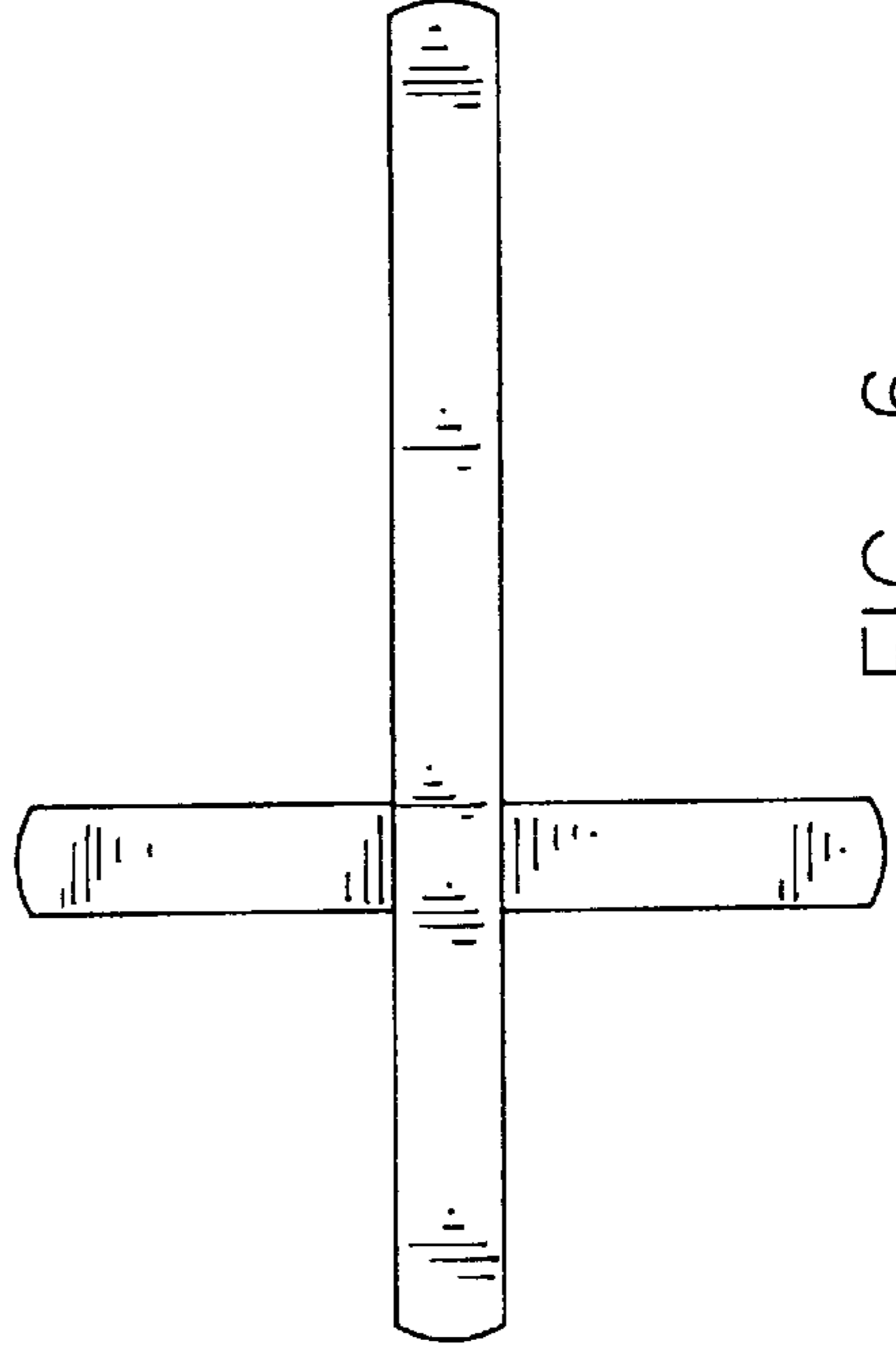


FIG. 6