



US00D411484S

United States Patent [19] Hill

[11] Patent Number: **Des. 411,484**

[45] Date of Patent: **** Jun. 29, 1999**

[54] **NOVELTY FLAG ASSEMBLY FOR A VEHICLE**

[76] Inventor: **Robert M. Hill**, 123 Westlynn Dr., Lebanon, Tenn. 37087

[**] Term: **14 Years**

[21] Appl. No.: **29/087,261**

[22] Filed: **Apr. 29, 1998**

[51] **LOC (6) Cl.** **11-05**

[52] **U.S. Cl.** **D11/183; D11/181; D11/182; D12/400**

[58] **Field of Search** **D11/181, 182, D11/183, 166; D12/162, 400, 190; 248/537, 206.3; 116/63 R; 40/610**

[56] **References Cited**

U.S. PATENT DOCUMENTS

D. 298,311	11/1988	Greenberg	D12/162	X
D. 325,890	5/1992	Doublet	D11/181	
1,857,774	5/1932	Wickman	248/537	
1,859,594	5/1932	Meyer et al.	248/537	
2,109,286	2/1938	Cubby	248/537	X
2,836,914	6/1958	Nelson et al.	40/129	
3,208,173	9/1965	Shank	40/129	
3,234,677	2/1966	McDaniel et al.	40/129	
3,239,957	3/1966	Snediker	248/537	X
3,256,629	6/1966	Whitman	248/537	X
3,701,210	10/1972	Smith	40/129	

5,365,687	11/1994	Slater	40/610	
5,388,546	2/1995	Lombard	116/209	
5,502,909	4/1996	Rabkin	40/603	
5,549,939	8/1996	Ray	428/31	

Primary Examiner—M. N. Pandozzi
Attorney, Agent, or Firm—Wadley & Patterson; Edward D. Lanquist, Jr.

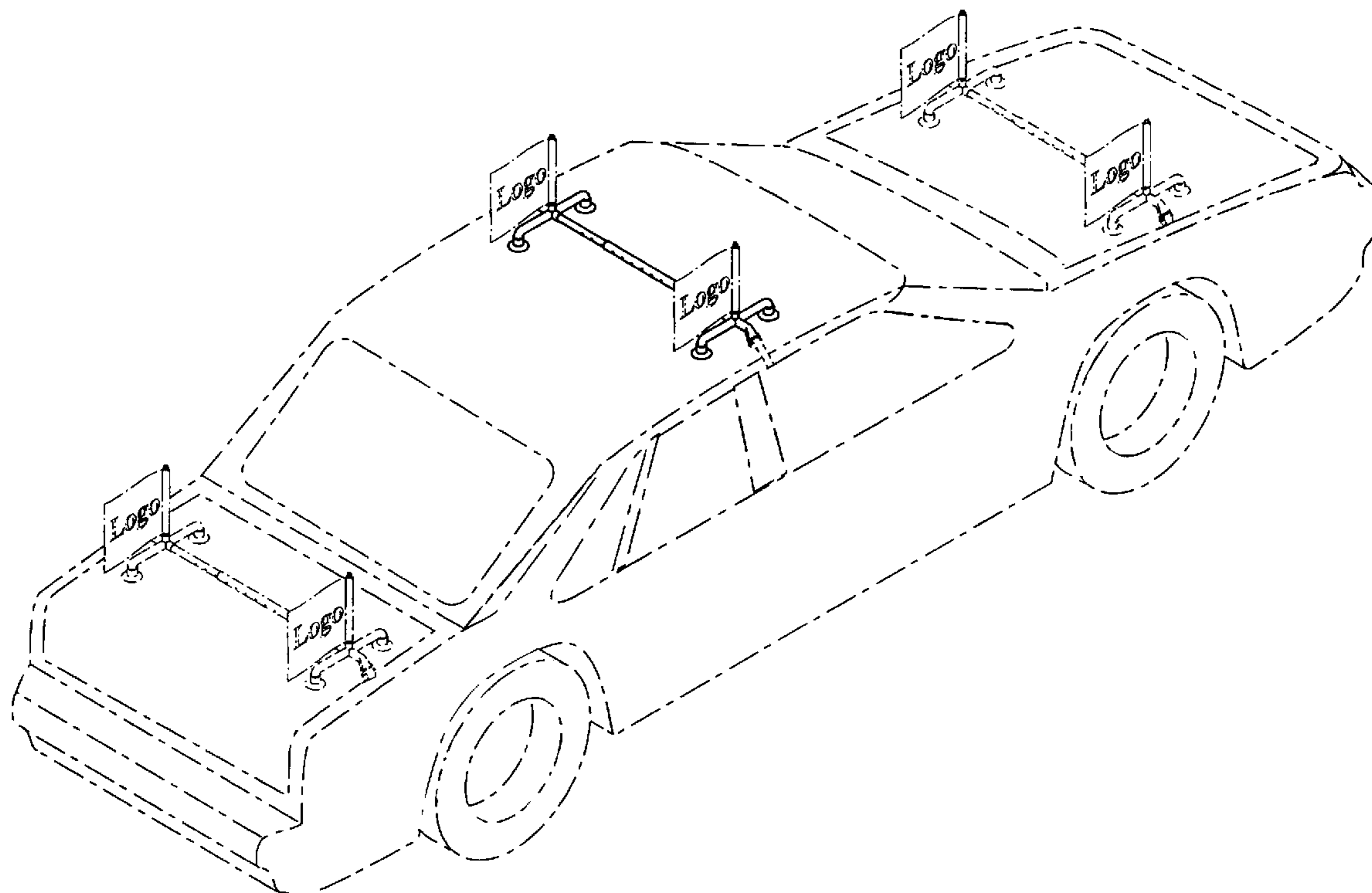
[57] **CLAIM**

The ornamental design for a novelty flag assembly for a vehicle, as shown and described.

DESCRIPTION

FIG. 1 is a top front perspective view of a novelty flag assembly for a vehicle, showing my new design;
 FIG. 2 is a right side elevation of the novelty flag assembly for a vehicle of applicant's invention, both sides being identical;
 FIG. 3 is a front elevation of the novelty flag assembly for a vehicle of applicant's invention, the rear elevation being identical;
 FIG. 4 is a top view of the novelty flag assembly for a vehicle of applicant's invention;
 FIG. 5 is a bottom view of the novelty flag assembly for a vehicle of applicant's invention; and,
 FIG. 6 is a top perspective view thereof in use.
 The broken line showing of a strap in FIG. 1 and a vehicle, flags, and additional flag assembly in FIG. 6 is for illustrative purposes only and forms no part of the claimed design.

1 Claim, 4 Drawing Sheets



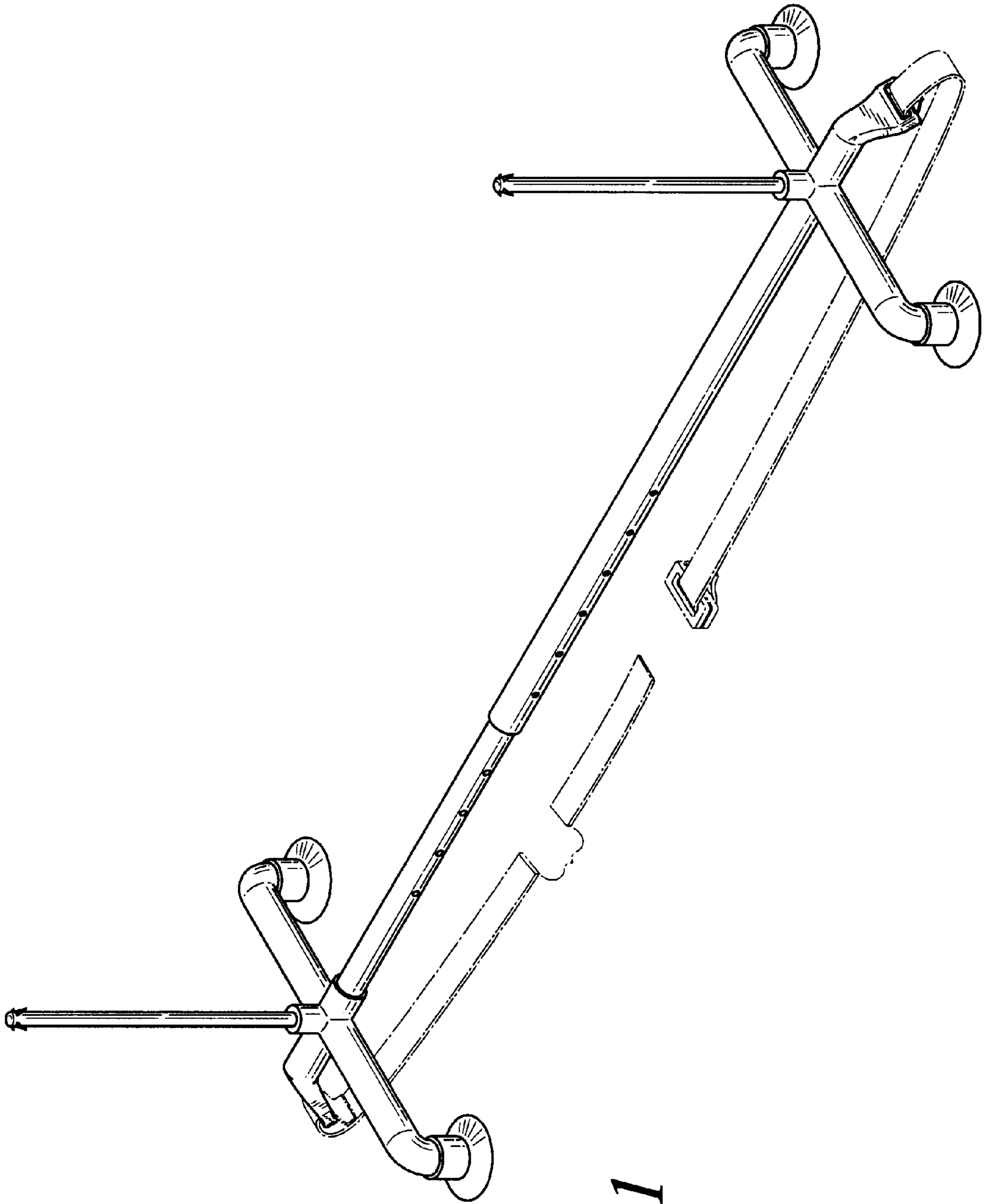


FIG. 1

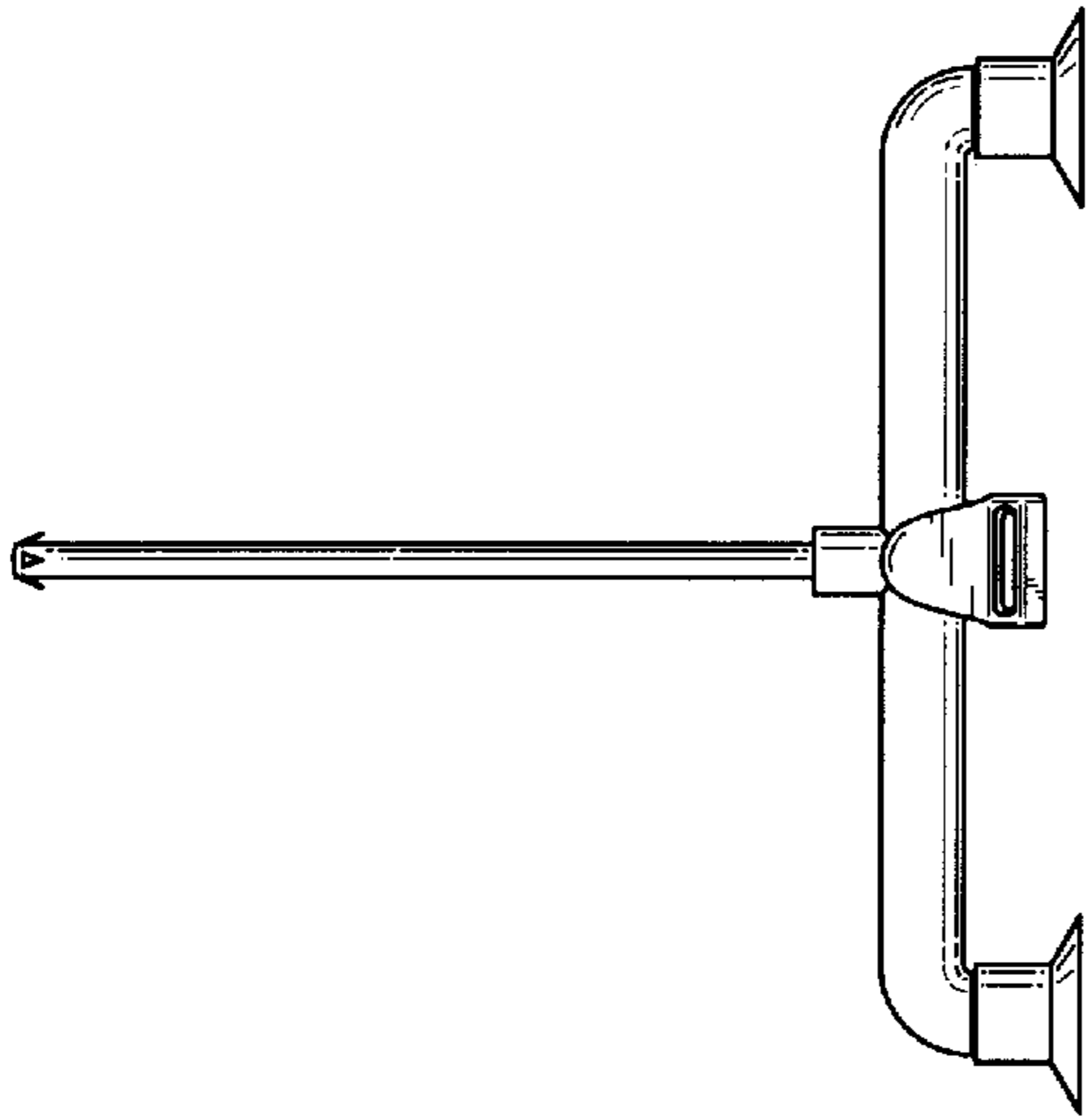


FIG. 2

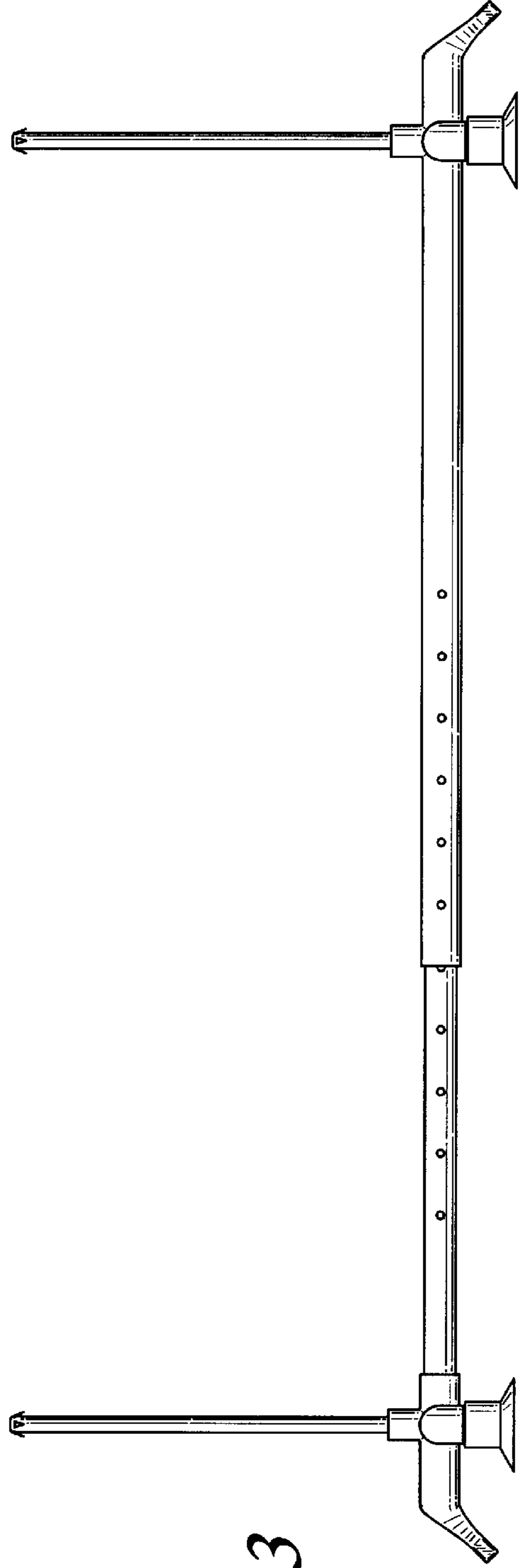


FIG. 3

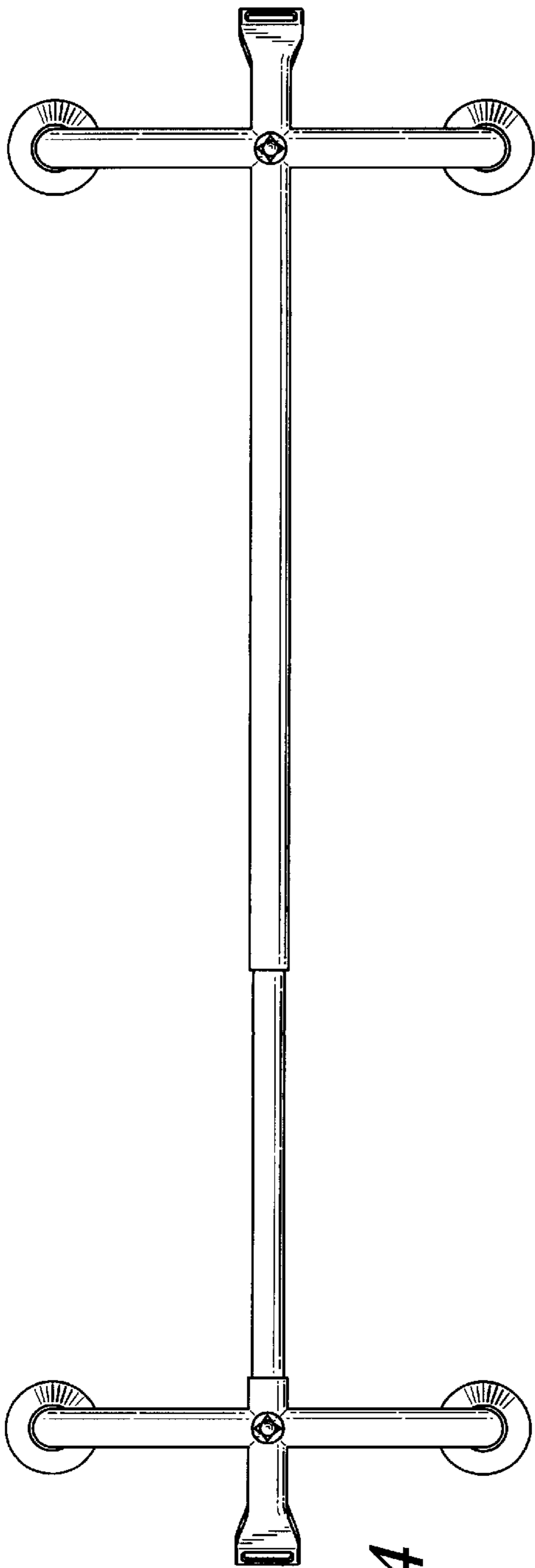


FIG. 4

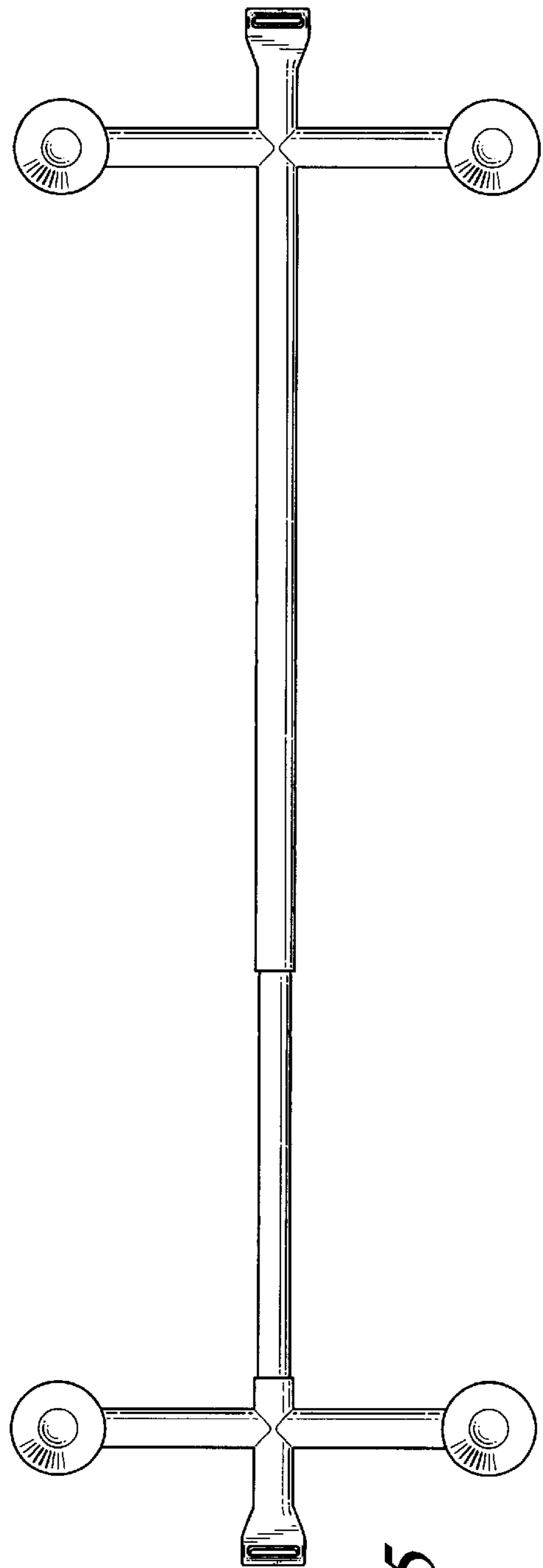


FIG. 5

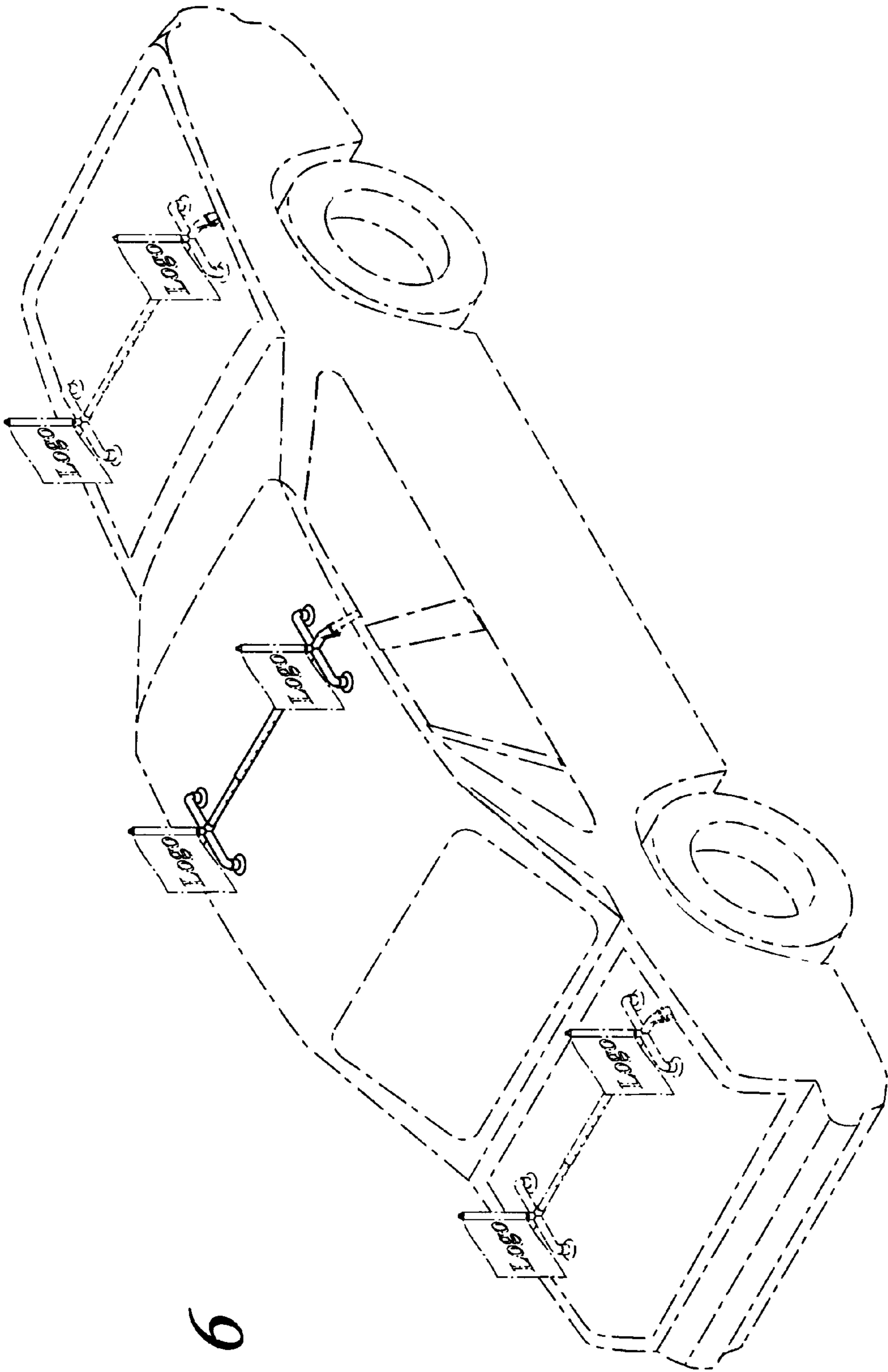


FIG. 6