



US00D411477S

United States Patent [19]

Collins et al.

[11] **Patent Number: Des. 411,477**

[45] **Date of Patent: ** Jun. 29, 1999**

[54] **ORNAMENTAL JEWELRY CATCH**

[75] Inventors: **Virginia Brownlee Collins**, deceased, late of Mableton; **by William Claude Collins**, executor, Powder Springs, both of Ga.

[73] Assignees: **Claudia Remeta; Gini Addington; Janet Edde; Deanna Strickland**, all of, Ga.

[**] Term: **14 Years**

[21] Appl. No.: **29/086,699**

[22] Filed: **Apr. 17, 1998**

[51] **LOC (6) Cl.** **11-01**

[52] **U.S. Cl.** **D11/87**

[58] **Field of Search** D11/87, 88, 200, D11/201, 202, 211, 212, 215, 216, 218, 219; 297/468, 487; 24/598, 500, 615, 163.12, 165, 167, 69 J, 455, 323, 311, 321, 307, 196

[56] **References Cited**

U.S. PATENT DOCUMENTS

D. 240,849 8/1976 Randall D11/87

D. 366,007 1/1996 Colpo D11/87
D. 394,022 5/1998 Tanner D11/87
4,041,579 8/1977 Chappel D11/87

Primary Examiner—Ralf Seifert
Attorney, Agent, or Firm—Eric R. Katz

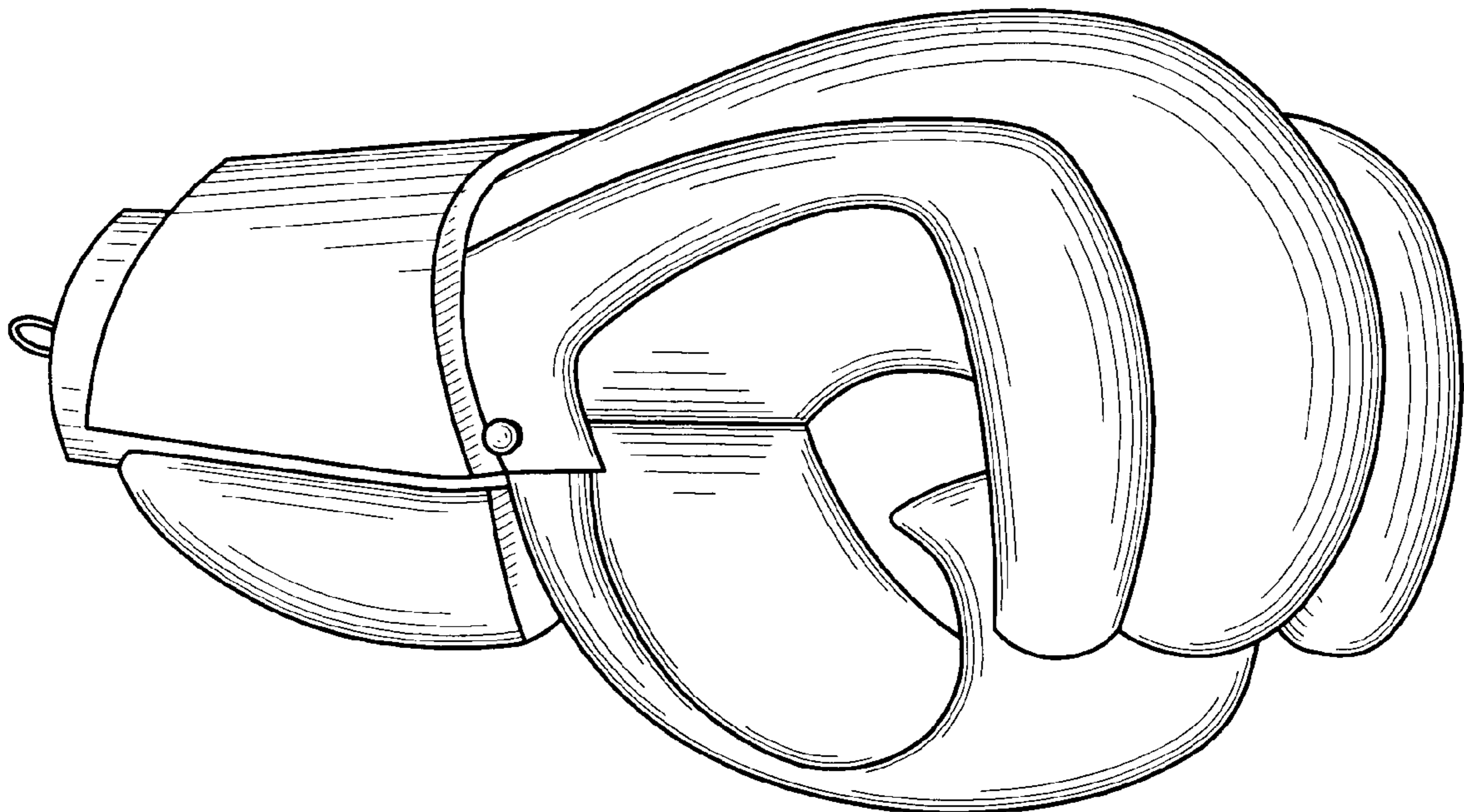
[57] **CLAIM**

The ornamental design for an ornamental jewelry catch, as shown and described.

DESCRIPTION

FIG. 1 is a perspective view of the ornamental jewelry catch of the present invention;
FIG. 2 is a top, planar view of the ornamental jewelry catch of the present invention;
FIG. 3 is a bottom, planar view of the ornamental jewelry catch of the present invention;
FIG. 4 is a side, planar view of the ornamental jewelry catch of the present invention in the closed configuration;
FIG. 5 is a front, planar view of the ornamental jewelry catch of the present invention; and,
FIG. 6 is a side, planar view of the ornamental jewelry catch of the present invention in the open configuration.
The undisclosed rear of the catch is not part of the claimed design.

1 Claim, 3 Drawing Sheets



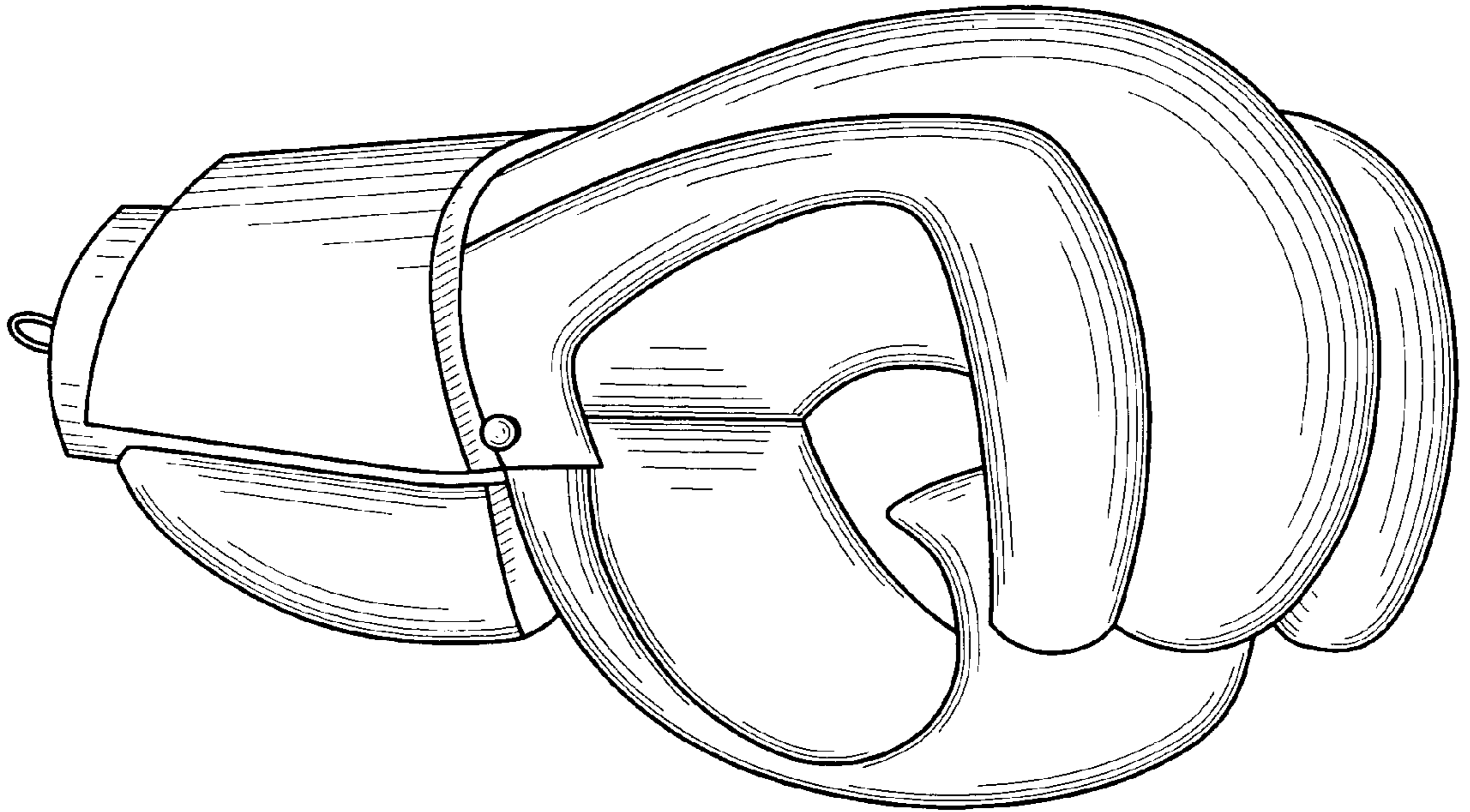


Fig. 1

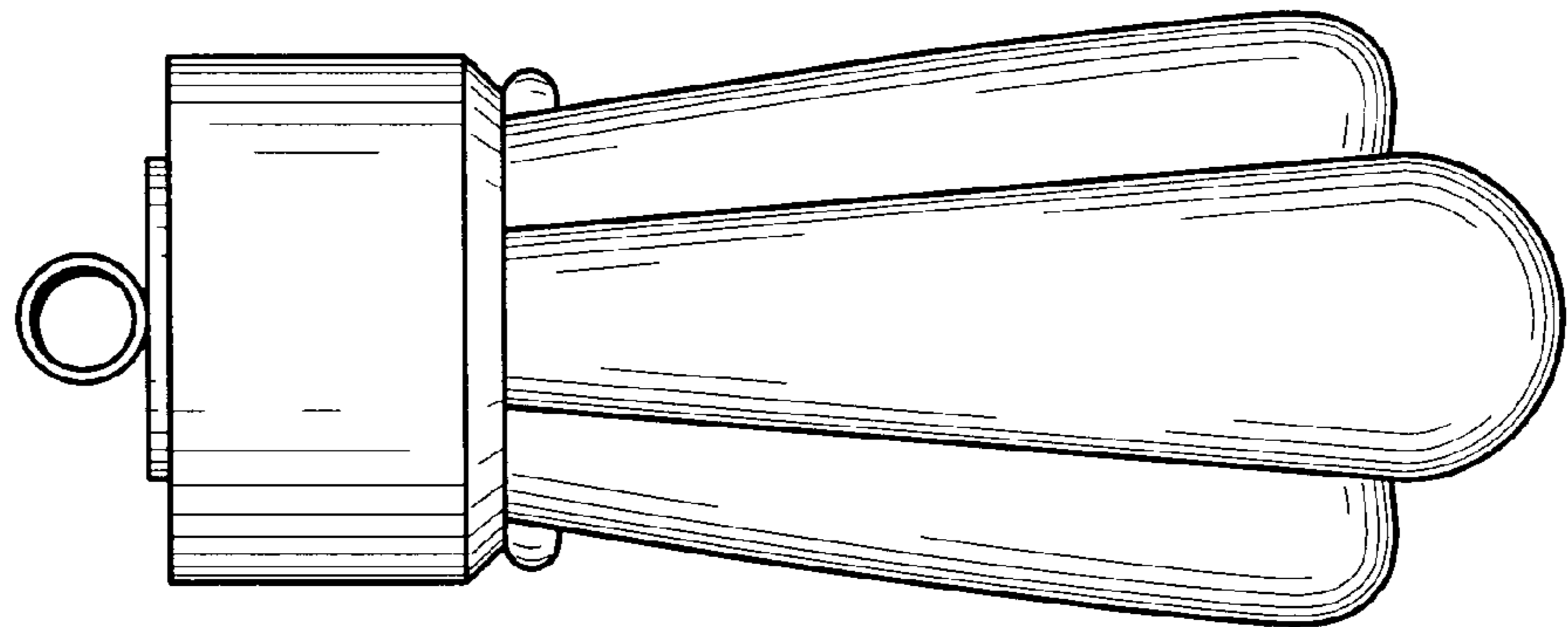


Fig. 2

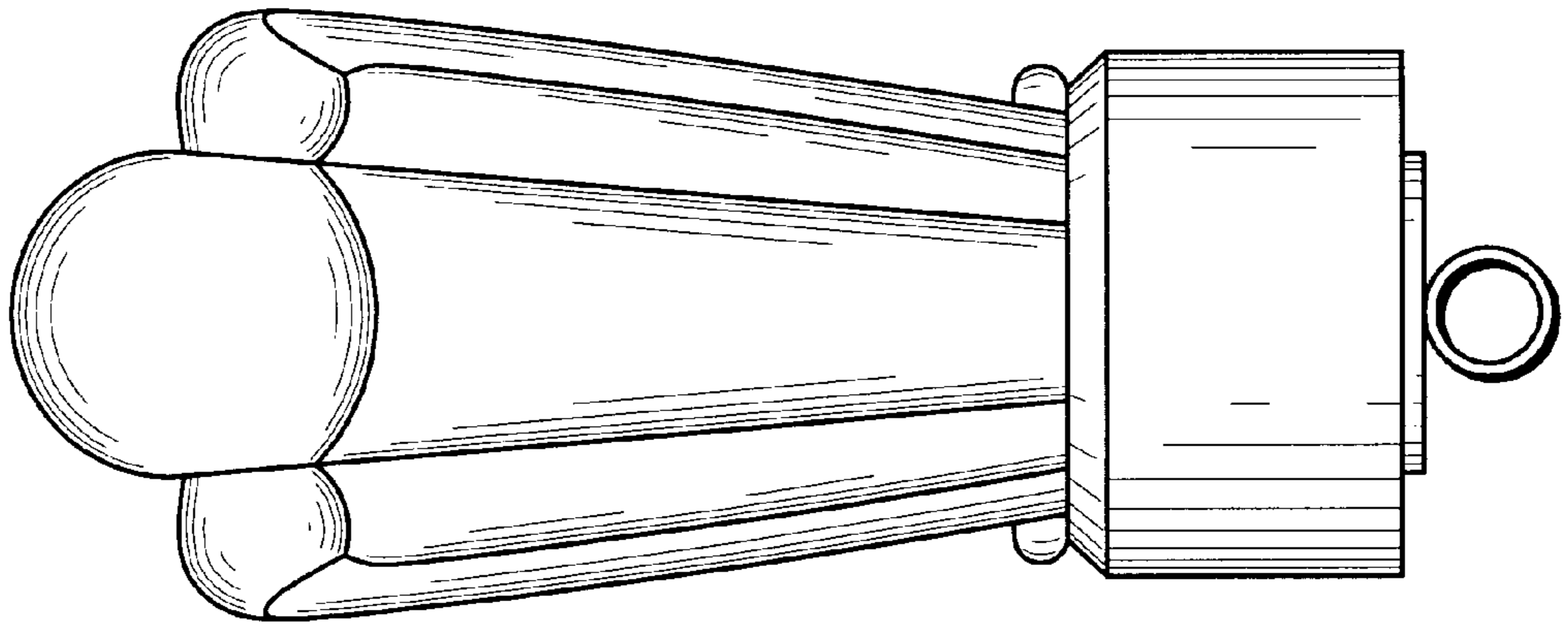


Fig. 3

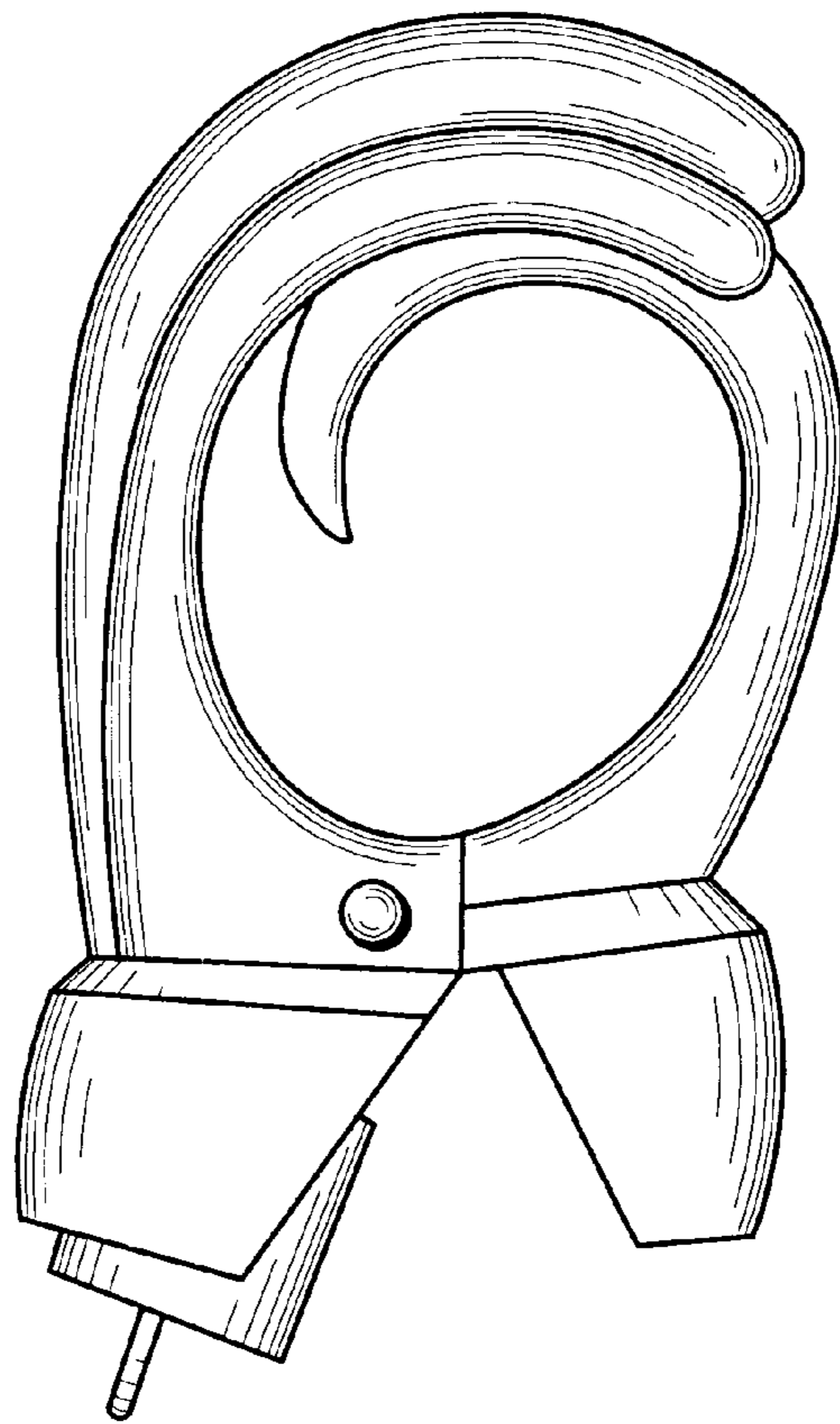


Fig. 4

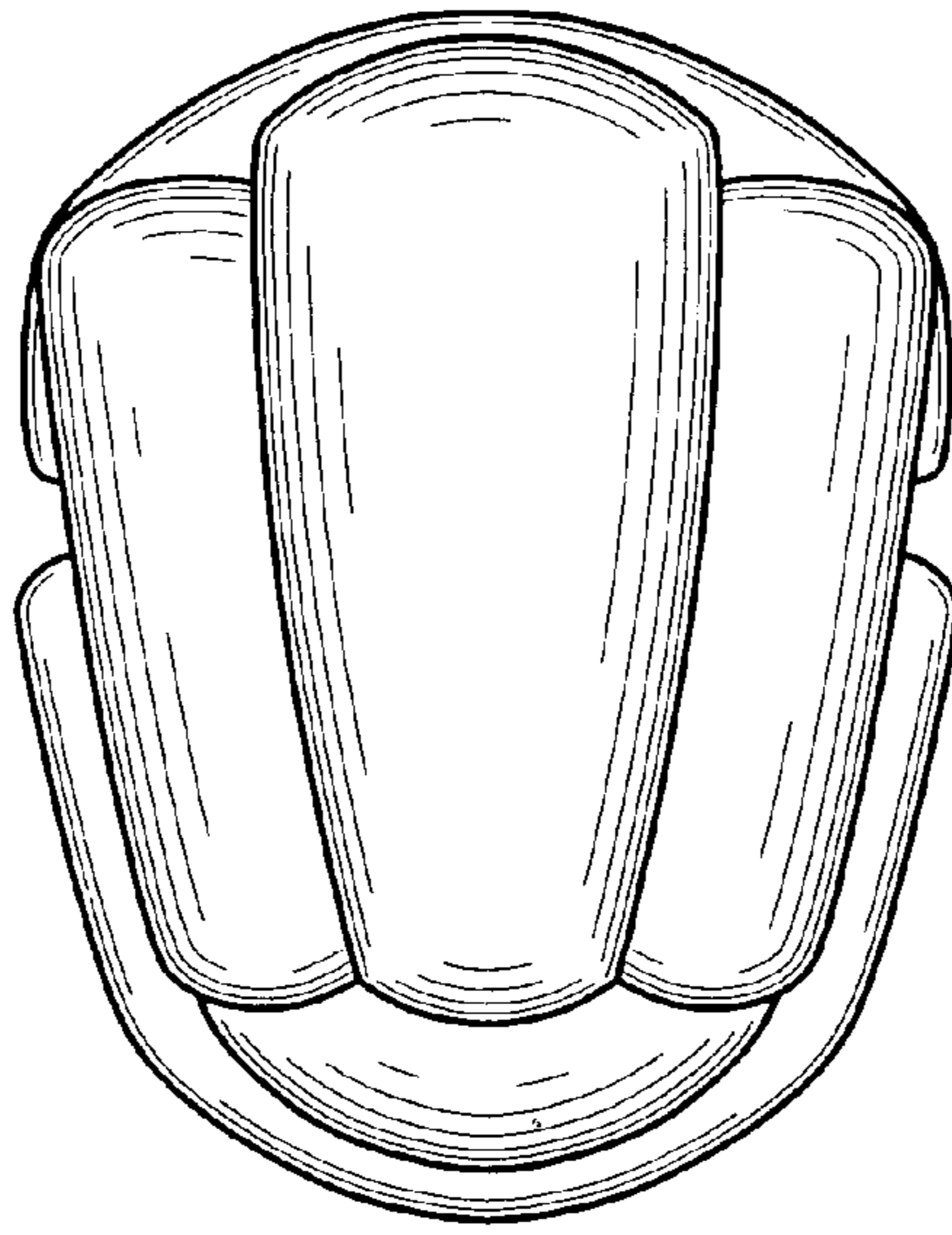


Fig. 5

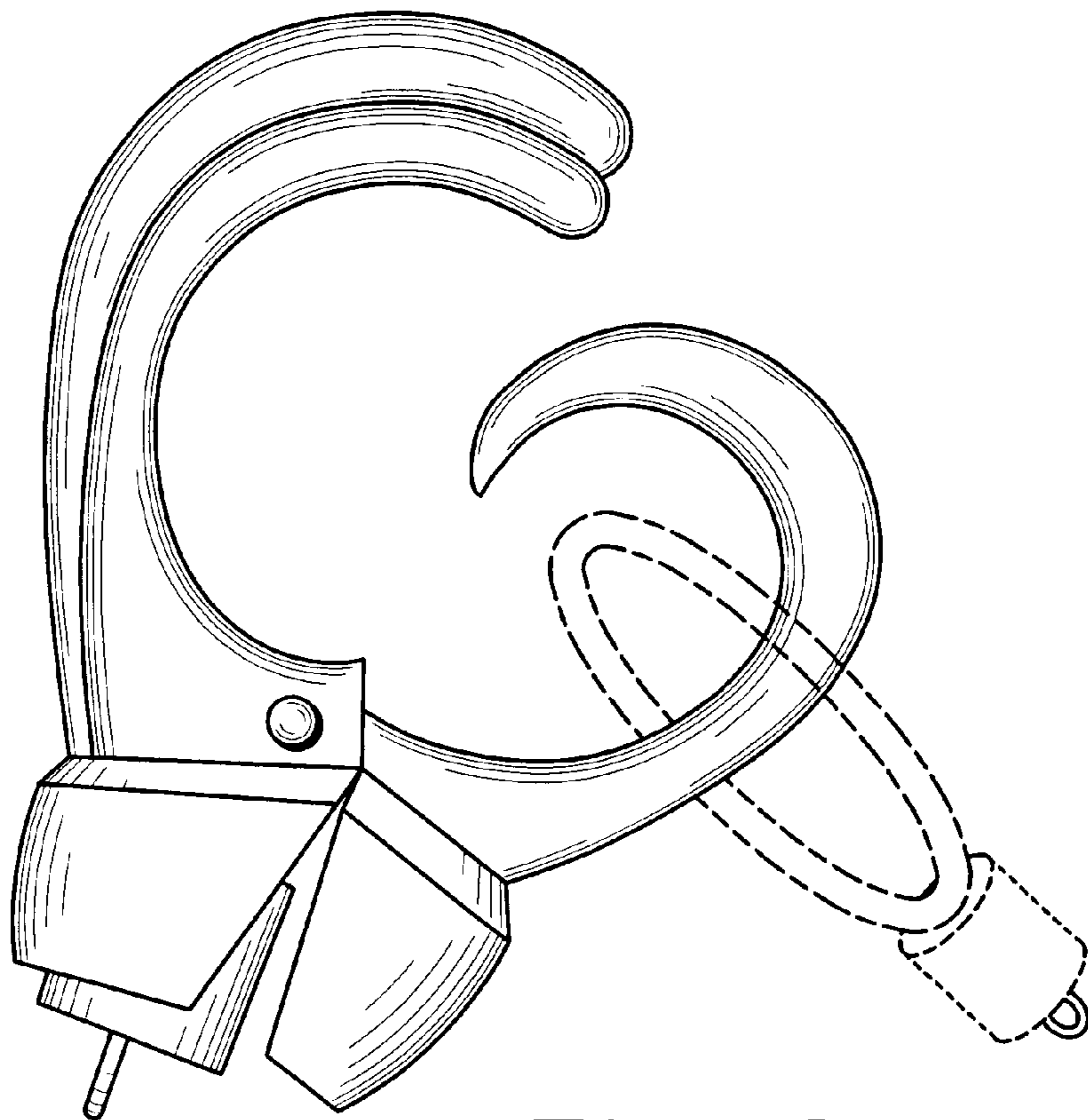


Fig. 6