



US00D411475S

# United States Patent [19]

[11] Patent Number: **Des. 411,475**

Lucas

[45] Date of Patent: **\*\* Jun. 29, 1999**

[54] **CHILD'S PERSONAL SECURITY ASSISTANT UNIT**

D. 387,296 12/1997 Yuen ..... D10/106  
D. 402,208 12/1998 Jones ..... D10/106

[76] Inventor: **Michael Lucas**, 146 Quassaic Ave.,  
New Windsor, Mass. 12553

*Primary Examiner*—Marcus A. Jackson  
*Attorney, Agent, or Firm*—Mark P. White

[\*\*] Term: **14 Years**

[57] **CLAIM**

[21] Appl. No.: **29/095,173**

The ornamental design for a child's personal security assistant unit, as shown and described.

[22] Filed: **Oct. 17, 1998**

**DESCRIPTION**

[51] **LOC (6) Cl.** ..... **10-05**

[52] **U.S. Cl.** ..... **D10/106**

[58] **Field of Search** ..... D10/104, 106,  
D10/121, 116; 340/540, 541, 571, 572,  
573, 393, 440

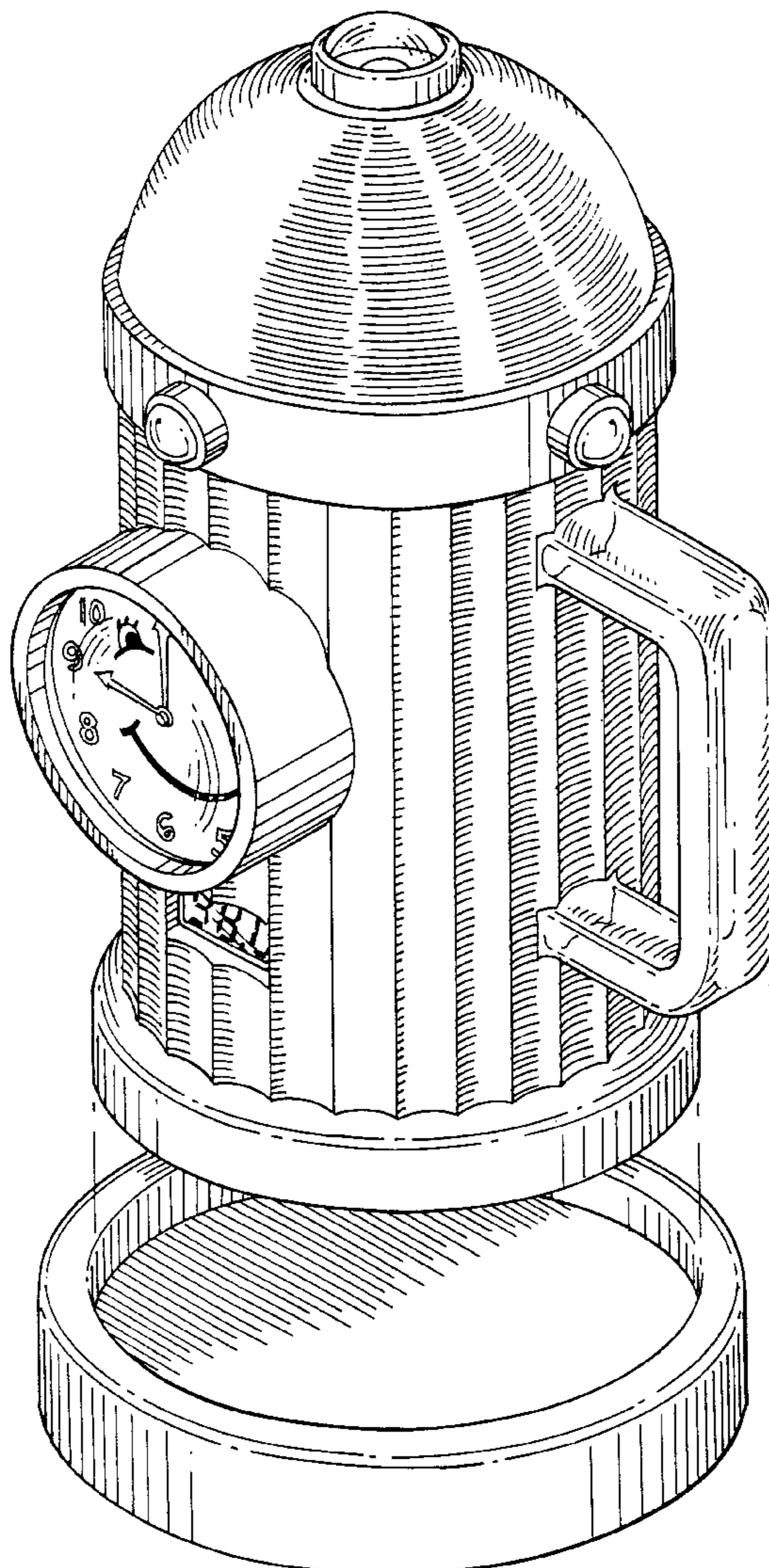
FIG. 1 is an exploded perspective view of a child's personal security assistant unit showing my new design;  
FIG. 2 is a front elevational view thereof;  
FIG. 3 is a rear elevational view thereof;  
FIG. 4 is a side elevational view thereof, with the opposite side being a mirror image except for the handle attachment; and,  
FIG. 5 is a top plan view thereof.

[56] **References Cited**

**U.S. PATENT DOCUMENTS**

D. 349,652 8/1994 Grant, Jr. .... D10/106  
D. 350,903 9/1994 Chern ..... D10/106

**1 Claim, 5 Drawing Sheets**



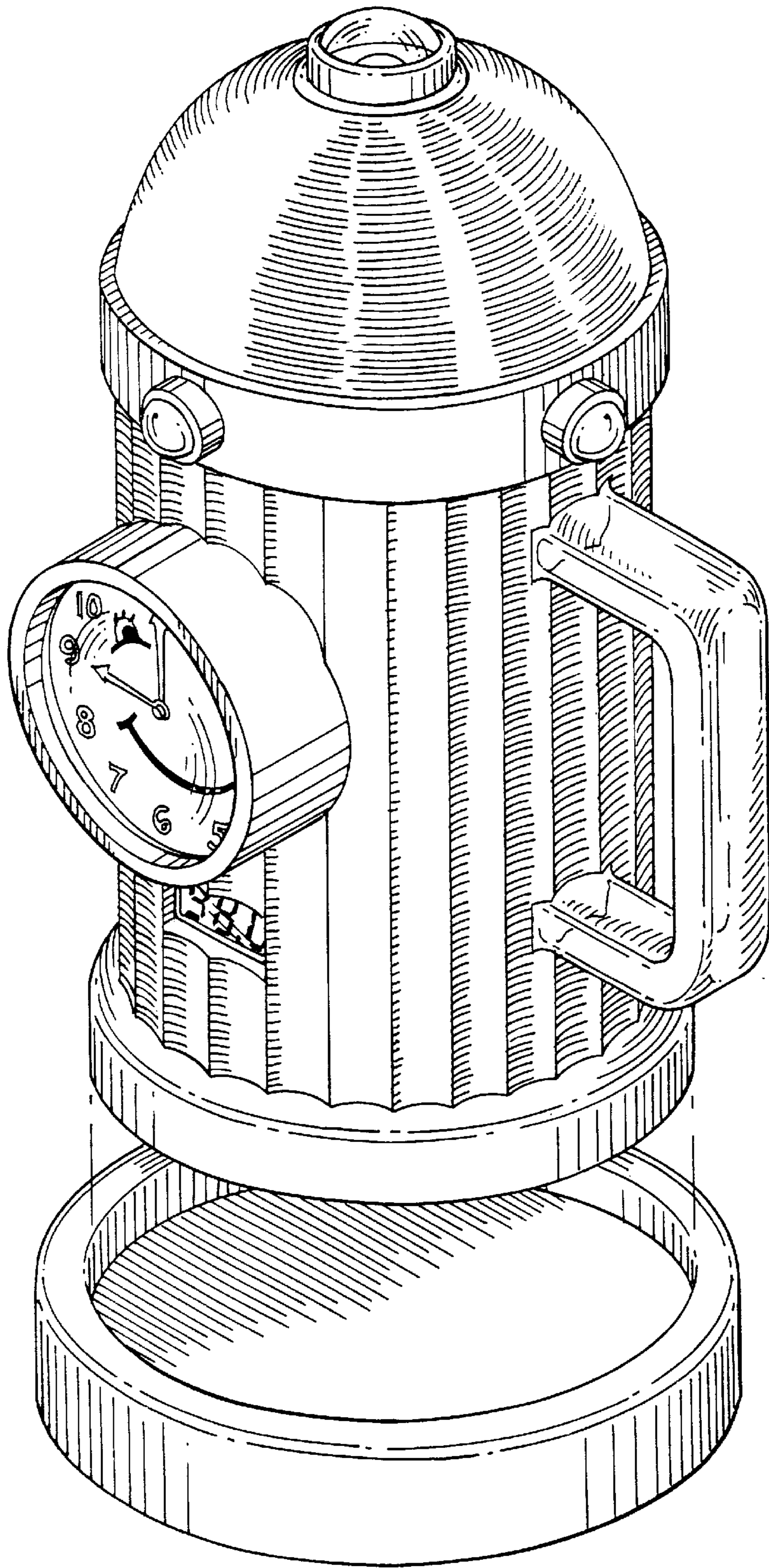


FIG. 1

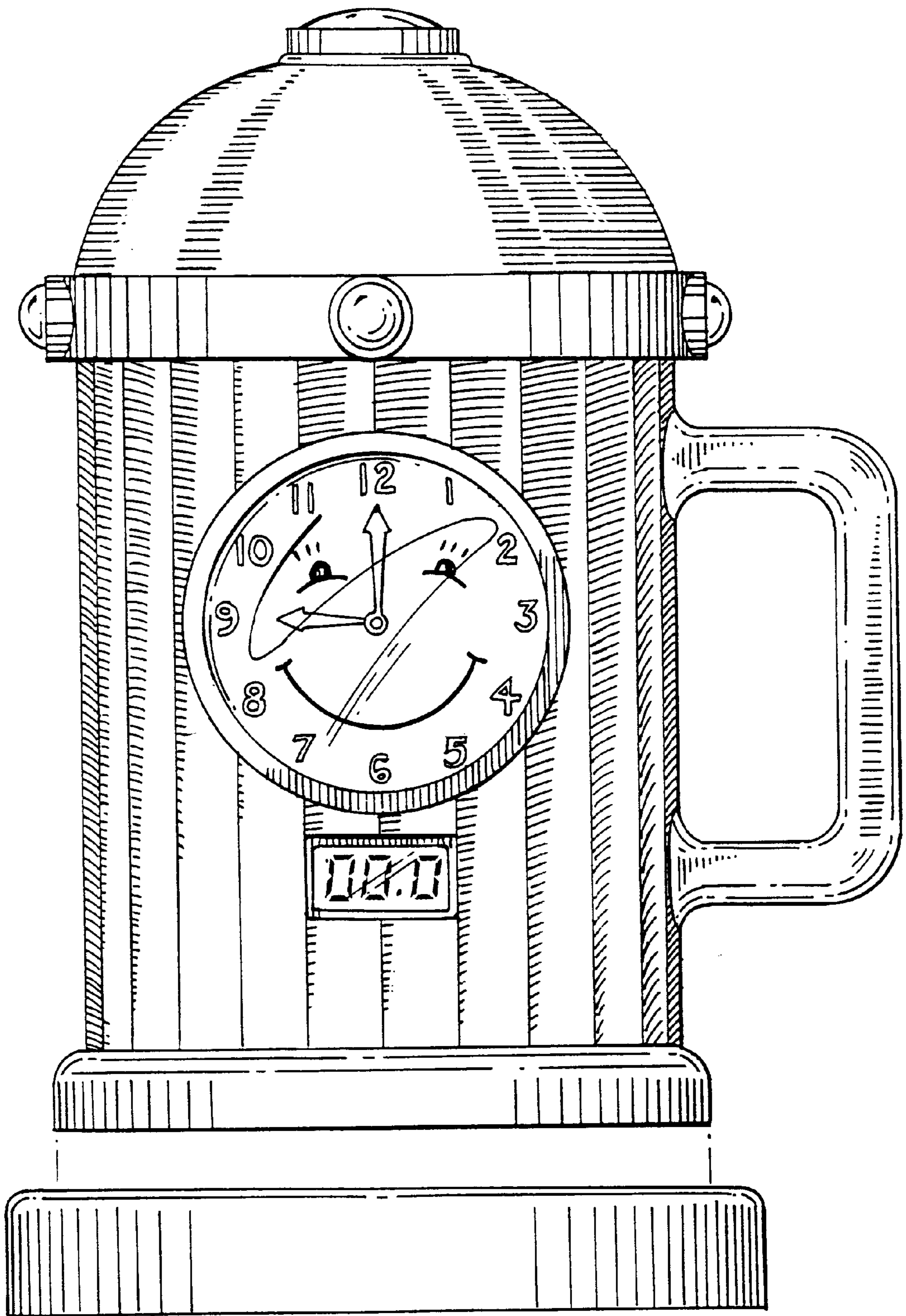


FIG. 2

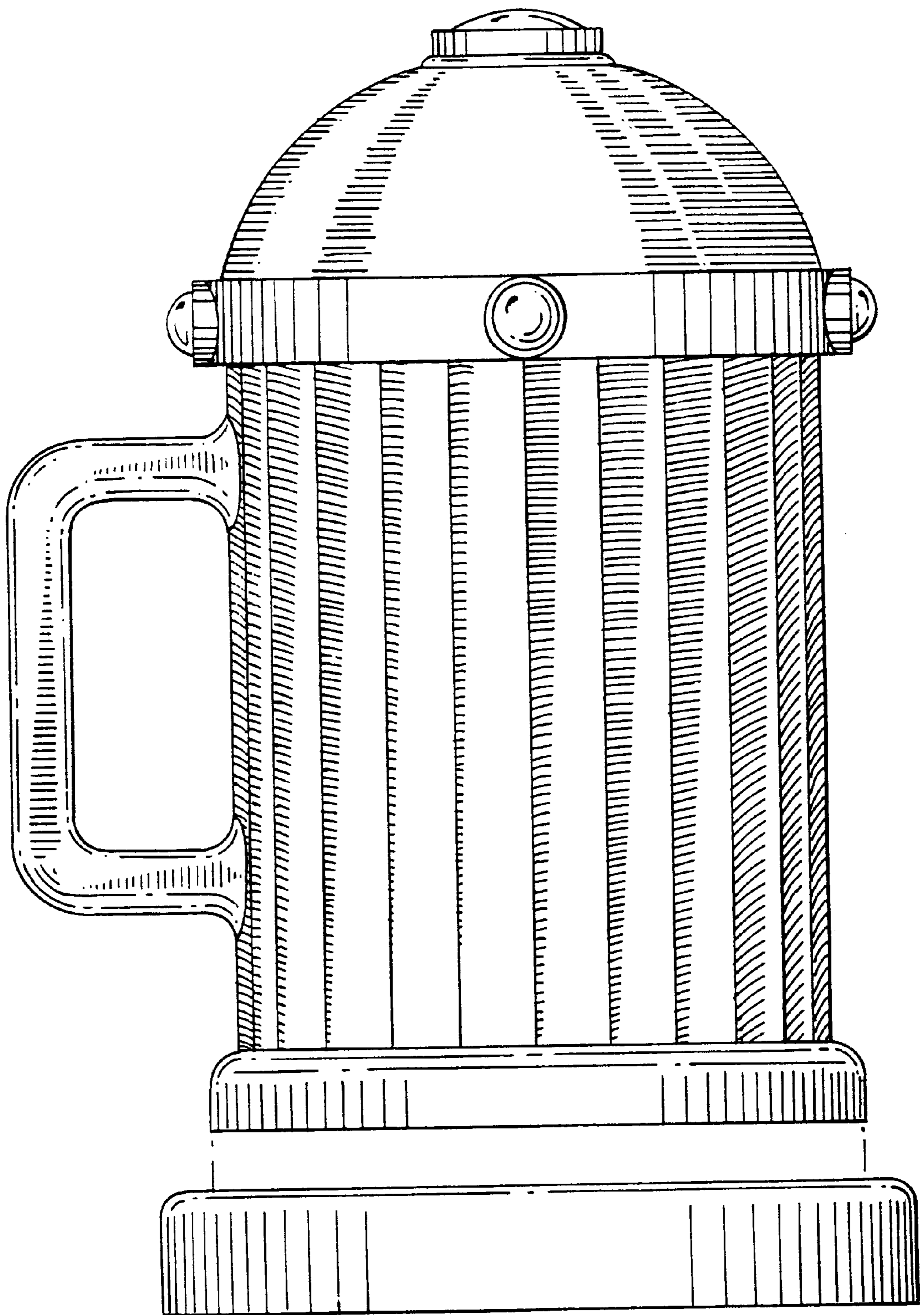


FIG. 3

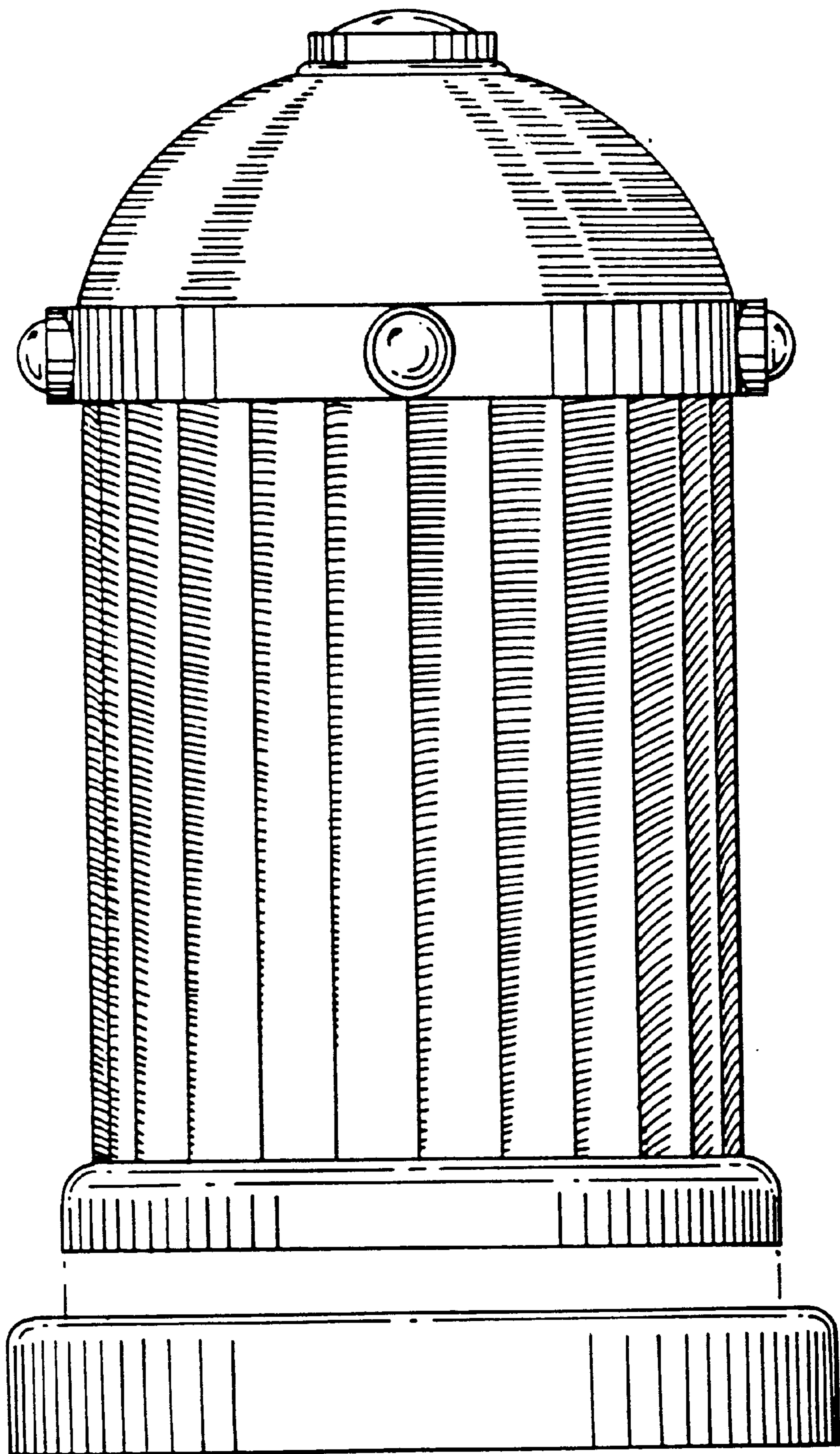


FIG. 4

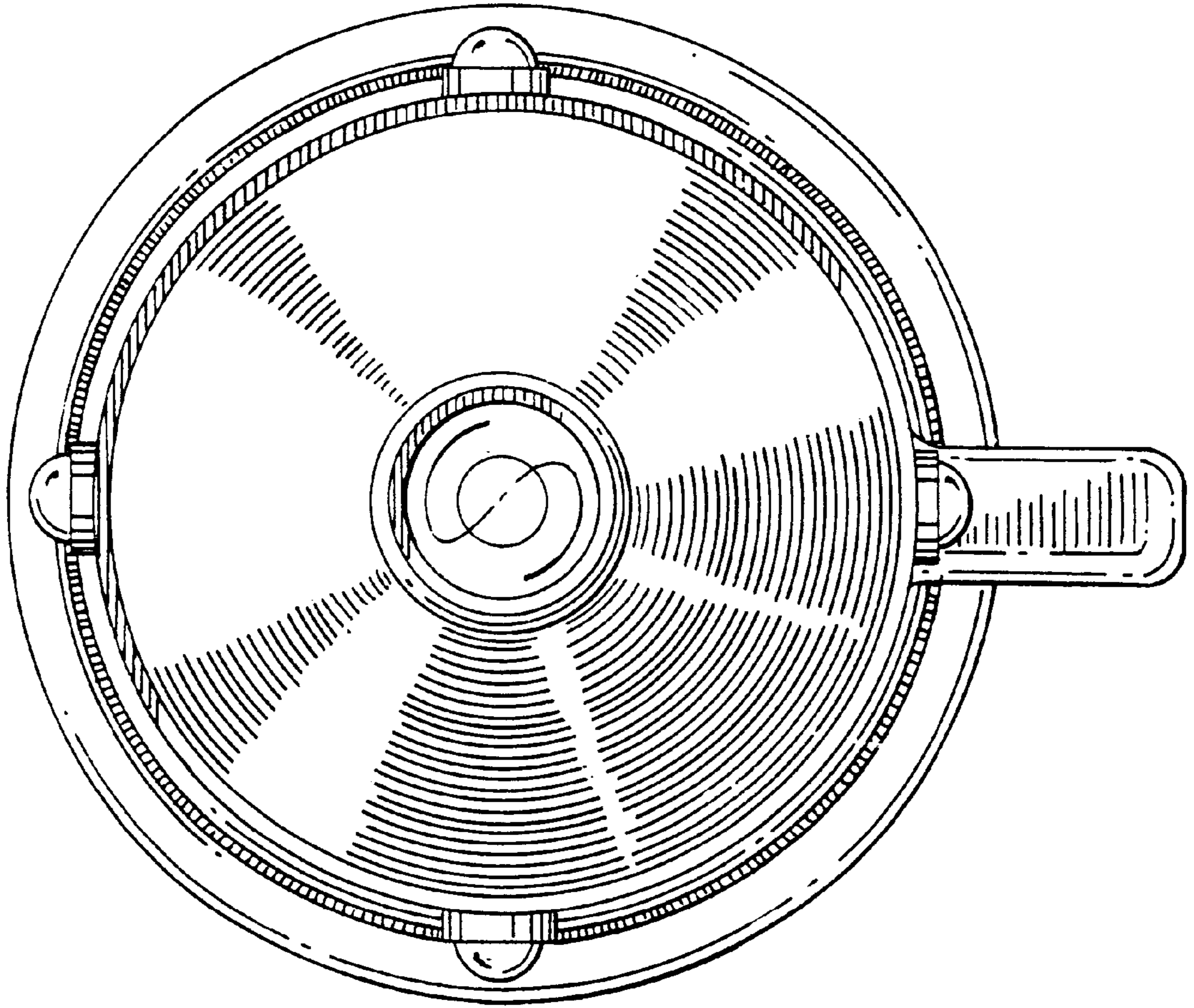


FIG. 5