



US00D411474S

United States Patent [19]
Gairdner

[11] **Patent Number: Des. 411,474**
[45] **Date of Patent: ** Jun. 29, 1999**

[54] **SPEED CONTROL DEVICE FOR SKATERS**

5,653,468 8/1997 Ostapyk 280/809

[76] Inventor: **James R. Gairdner**, 77 Clarendon Avenue, Suite 501, Toronto, Ontario, Canada, M4V 1J2

Primary Examiner—Antoine Duval Davis
Attorney, Agent, or Firm—Bereskin & Parr

[**] Term: **14 Years**

[57] **CLAIM**

The ornamental design for a speed control device for skaters, as shown.

[21] Appl. No.: **29/050,411**

[22] Filed: **Feb. 16, 1996**

DESCRIPTION

[30] **Foreign Application Priority Data**

Feb. 9, 1996 [CA] Canada 1996-0297

FIG. 1 is a top right side perspective view of a speed control device for skaters in accordance with the present invention; FIG. 2 is a right side view of the device of FIG. 1; FIG. 3 is a front view of the device of FIG. 1; FIG. 4 is a left side view of the device of FIG. 1; FIG. 5 is a rear view of the device of FIG. 1; FIG. 6 is a top view of the device of FIG. 1; and, FIG. 7 is a bottom view of the device of FIG. 1.

[51] **LOC (6) Cl.** **10-04**

[52] **U.S. Cl.** **D10/98; D10/70**

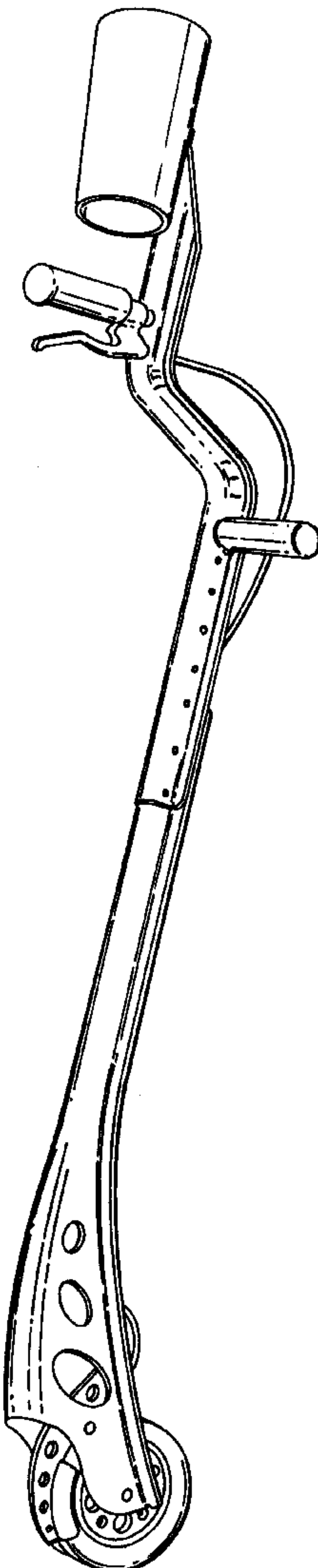
[58] **Field of Search** D10/70, 96, 98; 280/809, 816, 826; 135/66, 85

[56] **References Cited**

U.S. PATENT DOCUMENTS

D. 361,249 8/1995 Bonte D10/70 X

1 Claim, 3 Drawing Sheets



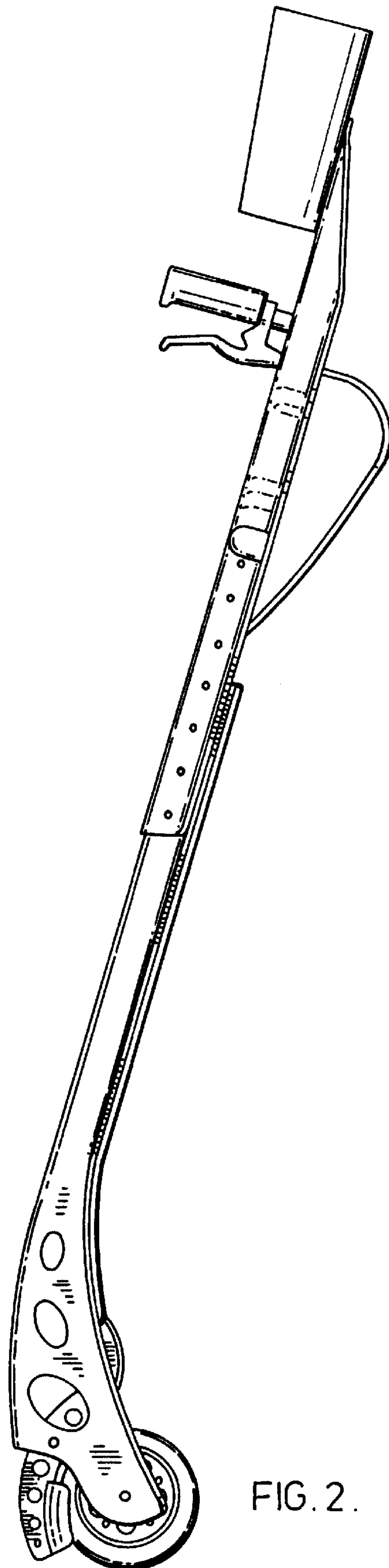
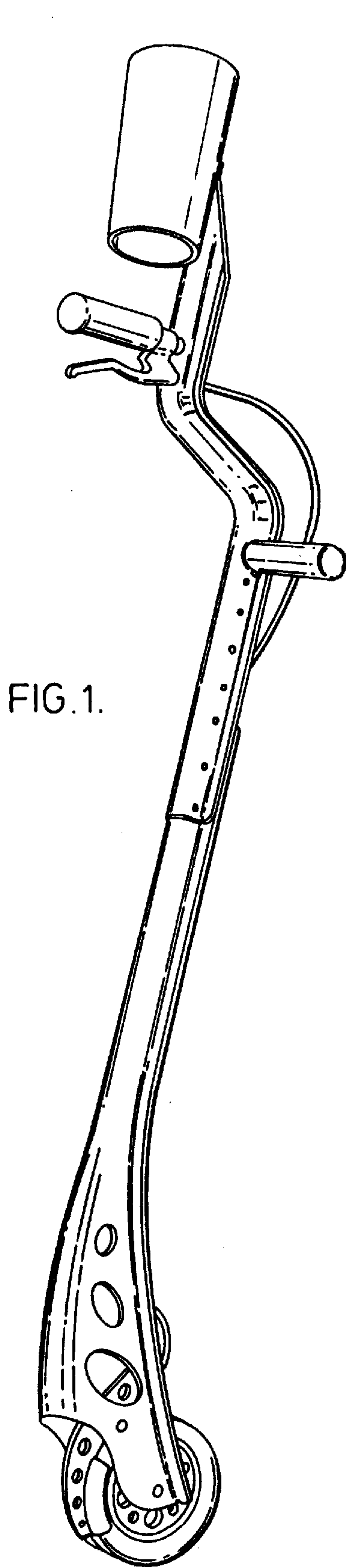


FIG. 2.

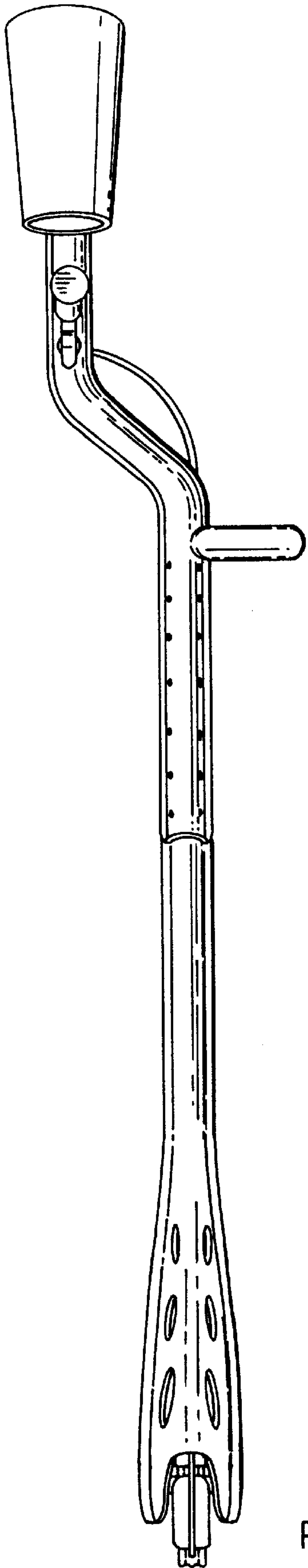


FIG. 3.

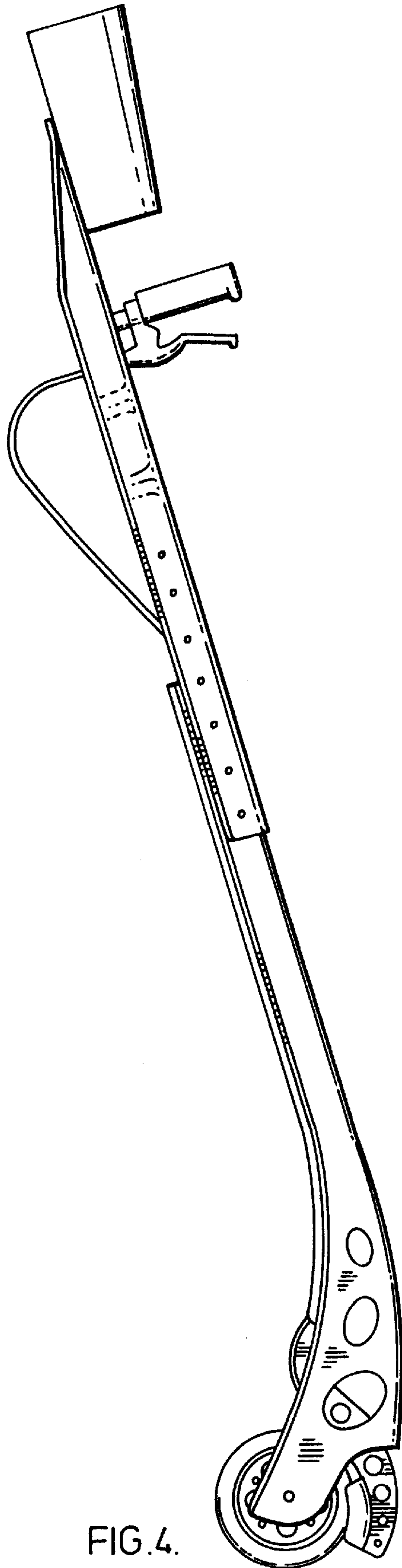


FIG. 4.

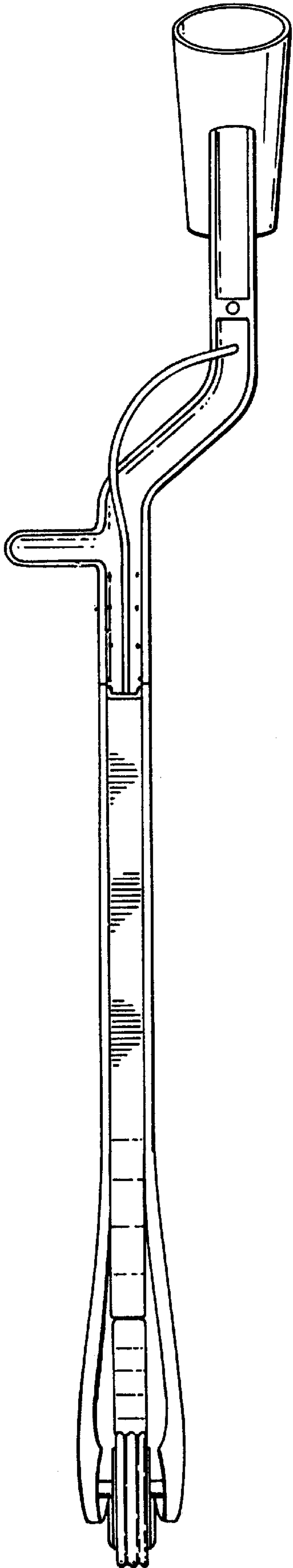


FIG. 5.

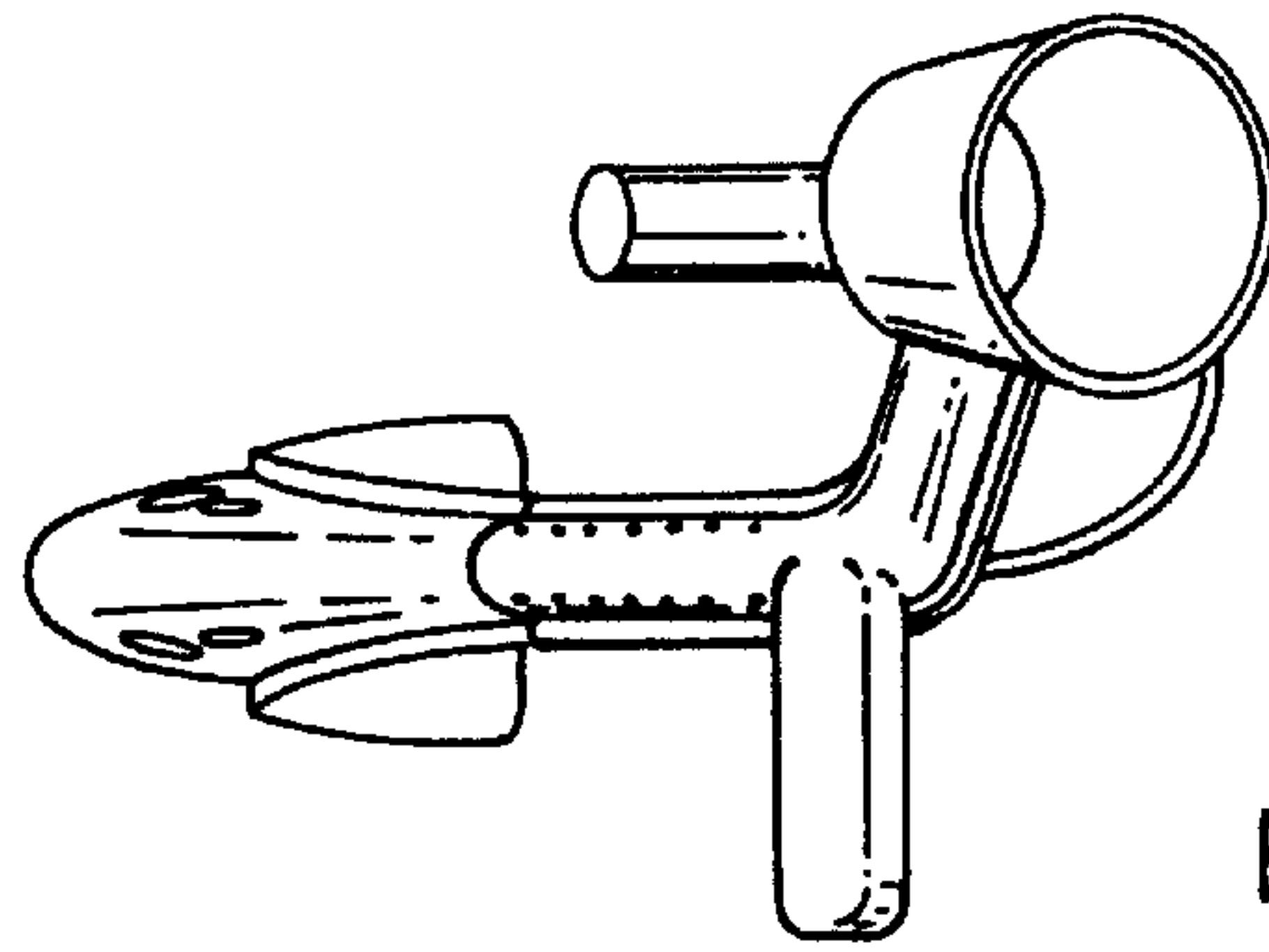


FIG. 6.

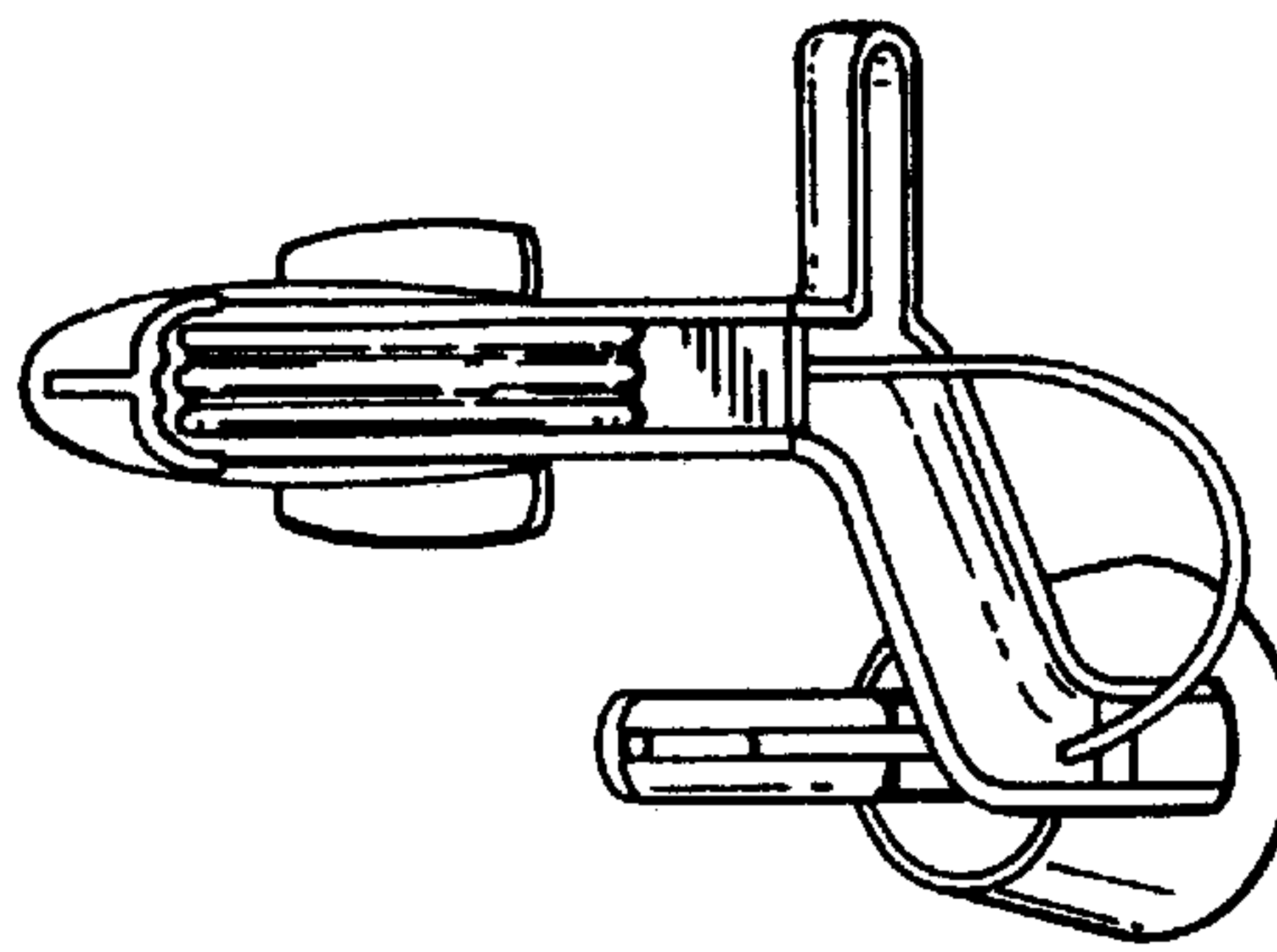


FIG. 7.