



US00D411473S

United States Patent [19] Hampf

[11] **Patent Number: Des. 411,473**

[45] **Date of Patent: ** Jun. 29, 1999**

[54] **RADAR LEVEL GAUGE**

[75] Inventor: **Jan Hampf**, Saro, Sweden

[73] Assignee: **SAAB Marine Electronics AB**,
Göteborg, Sweden

[**] Term: **14 Years**

[21] Appl. No.: **29/079,865**

[22] Filed: **Nov. 24, 1997**

[51] **LOC (6) Cl. 10-04**

[52] **U.S. Cl. D10/96; D10/65**

[58] **Field of Search D10/65, 96; 342/124,
342/142, 188; 73/290 V; 367/908**

[56] **References Cited**

U.S. PATENT DOCUMENTS

5,136,299 8/1992 Edvardsson 342/124
5,614,831 3/1997 Edvardsson 342/142 X

Primary Examiner—Antoine Duval Davis
Attorney, Agent, or Firm—Pollock, Vande Sande &
Amernick

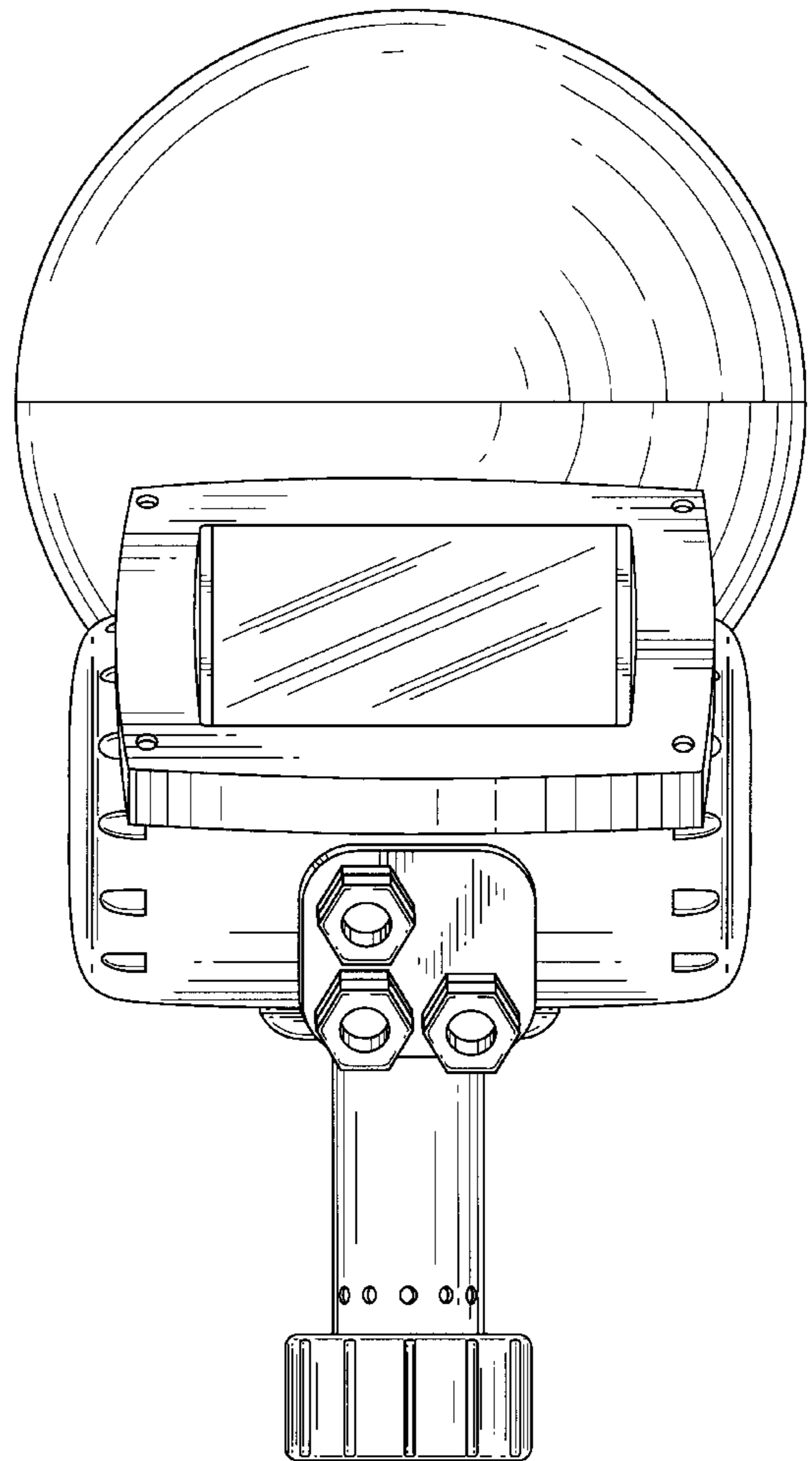
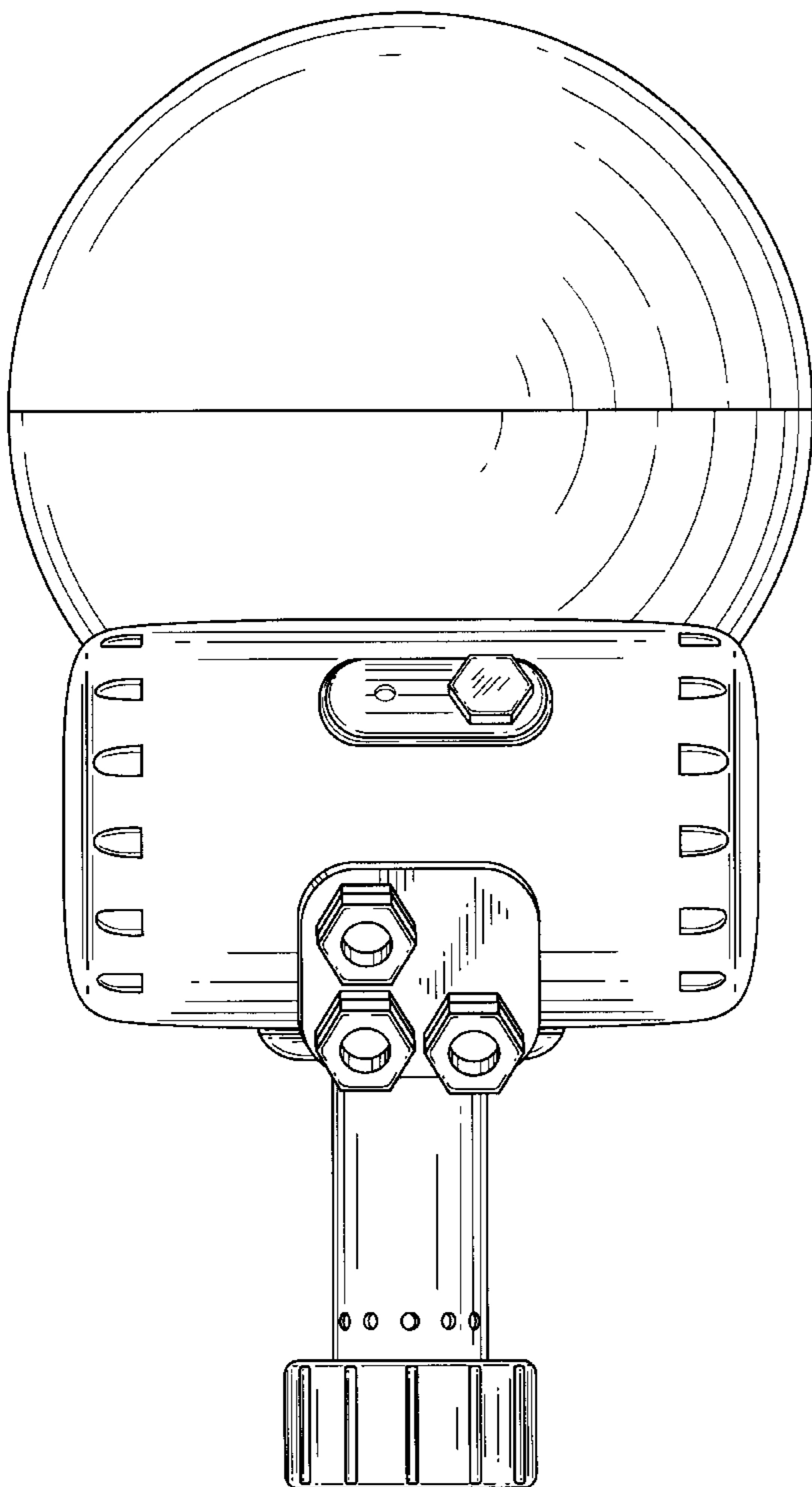
[57] **CLAIM**

The ornamental on the design for a radar level gauge, as shown and described.

DESCRIPTION

FIG. 1 is a front elevational view thereof;
FIG. 2 is a left side elevational view thereof; the right side being a mirror image;
FIG. 3 is a rear elevational view thereof;
FIG. 4 is a front elevational view of a second embodiment incorporating a display panel;
FIG. 5 is a left side elevational view of the second embodiment; the right side being a mirror image; and,
FIG. 6 is a rear elevational view of the second embodiment.

1 Claim, 6 Drawing Sheets



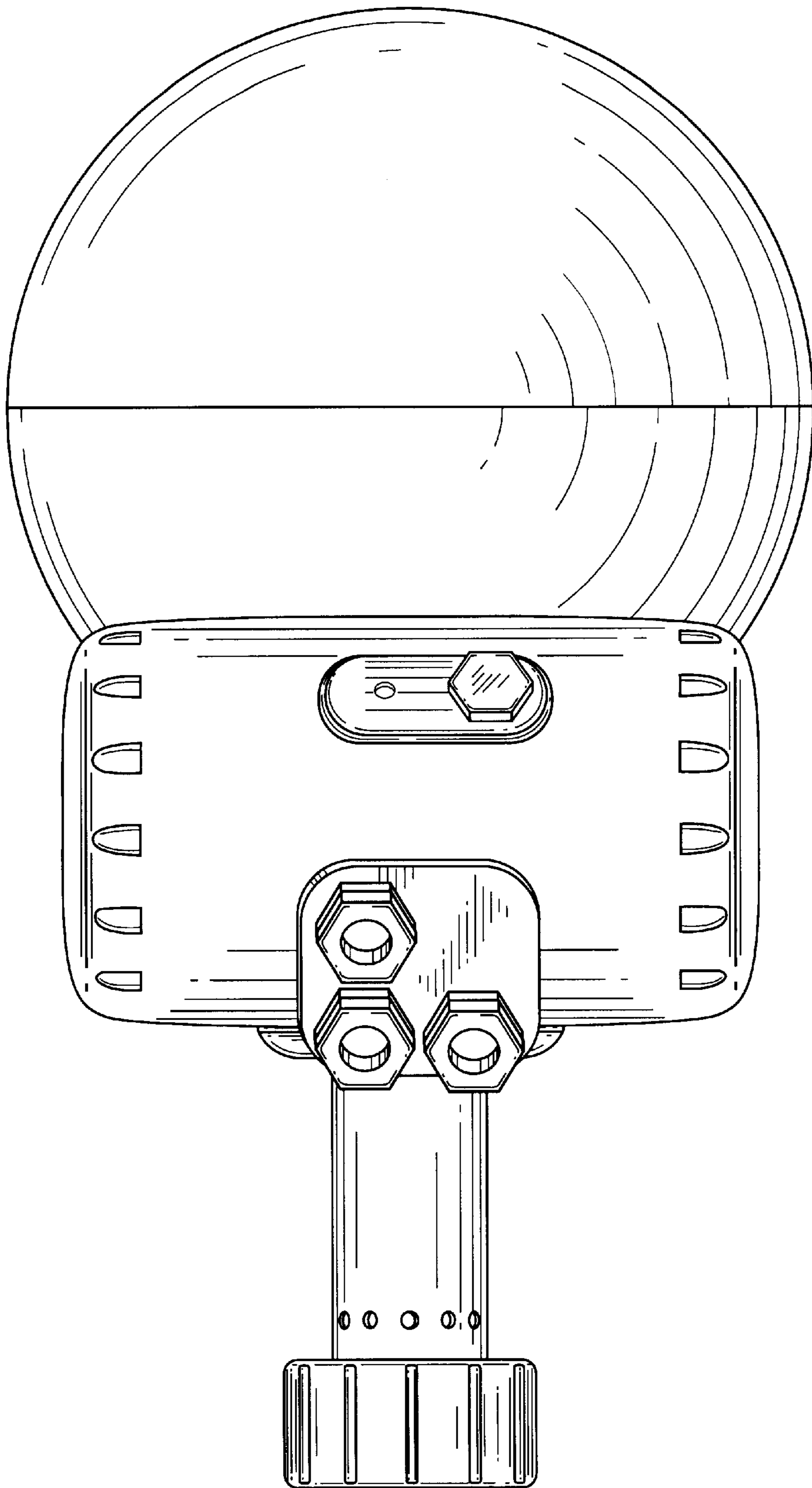


FIG. 1

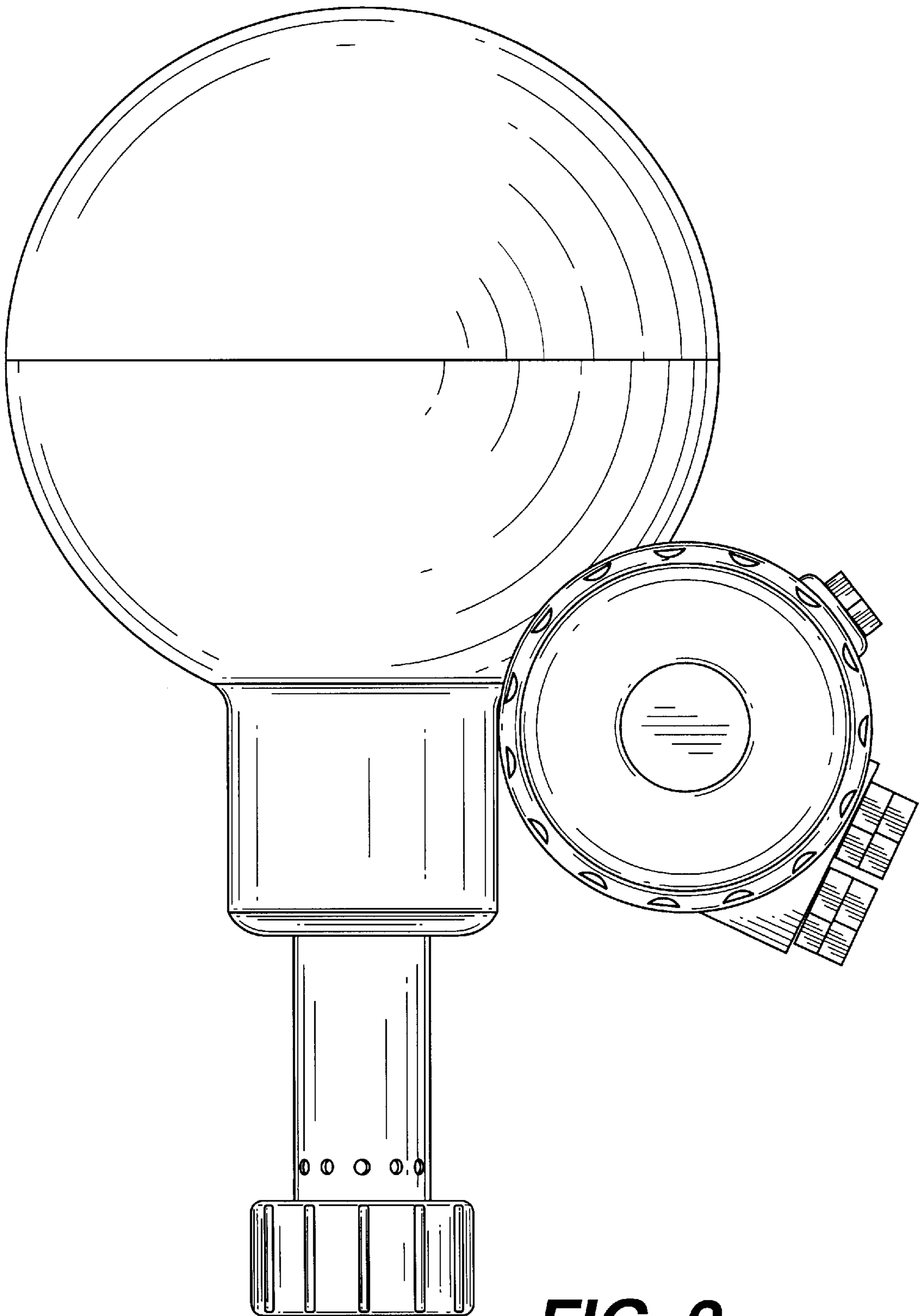


FIG. 2

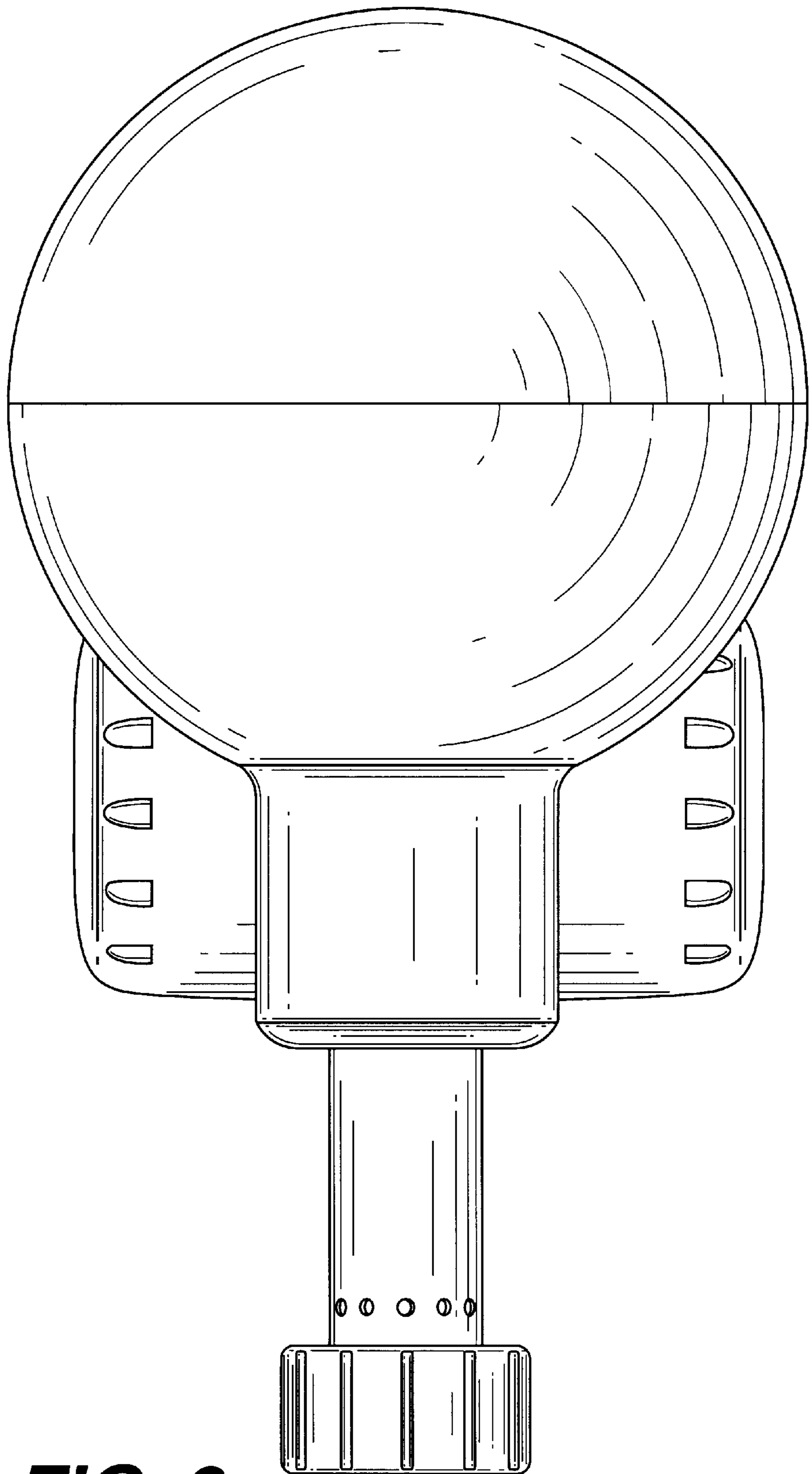


FIG. 3

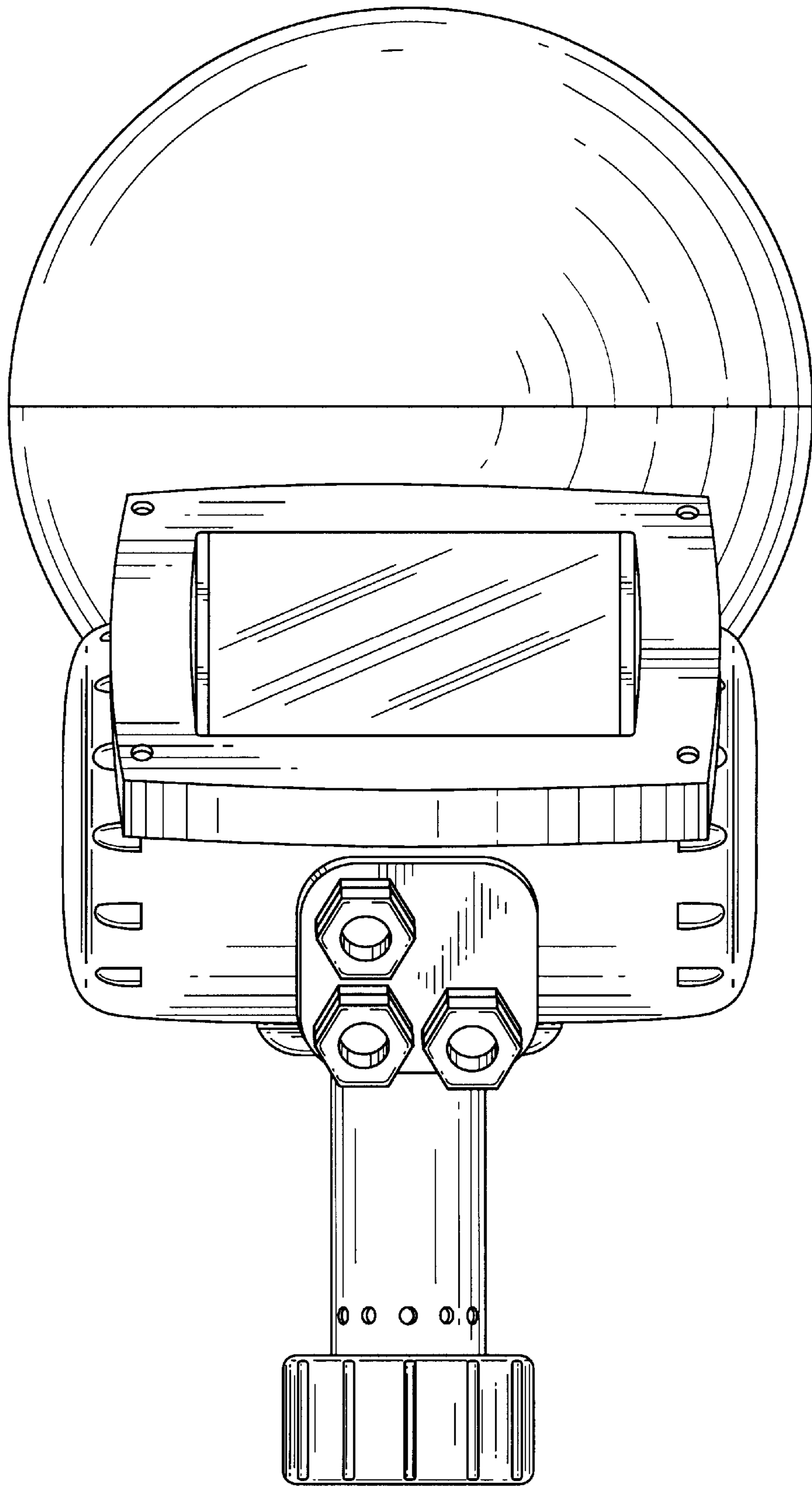


FIG. 4

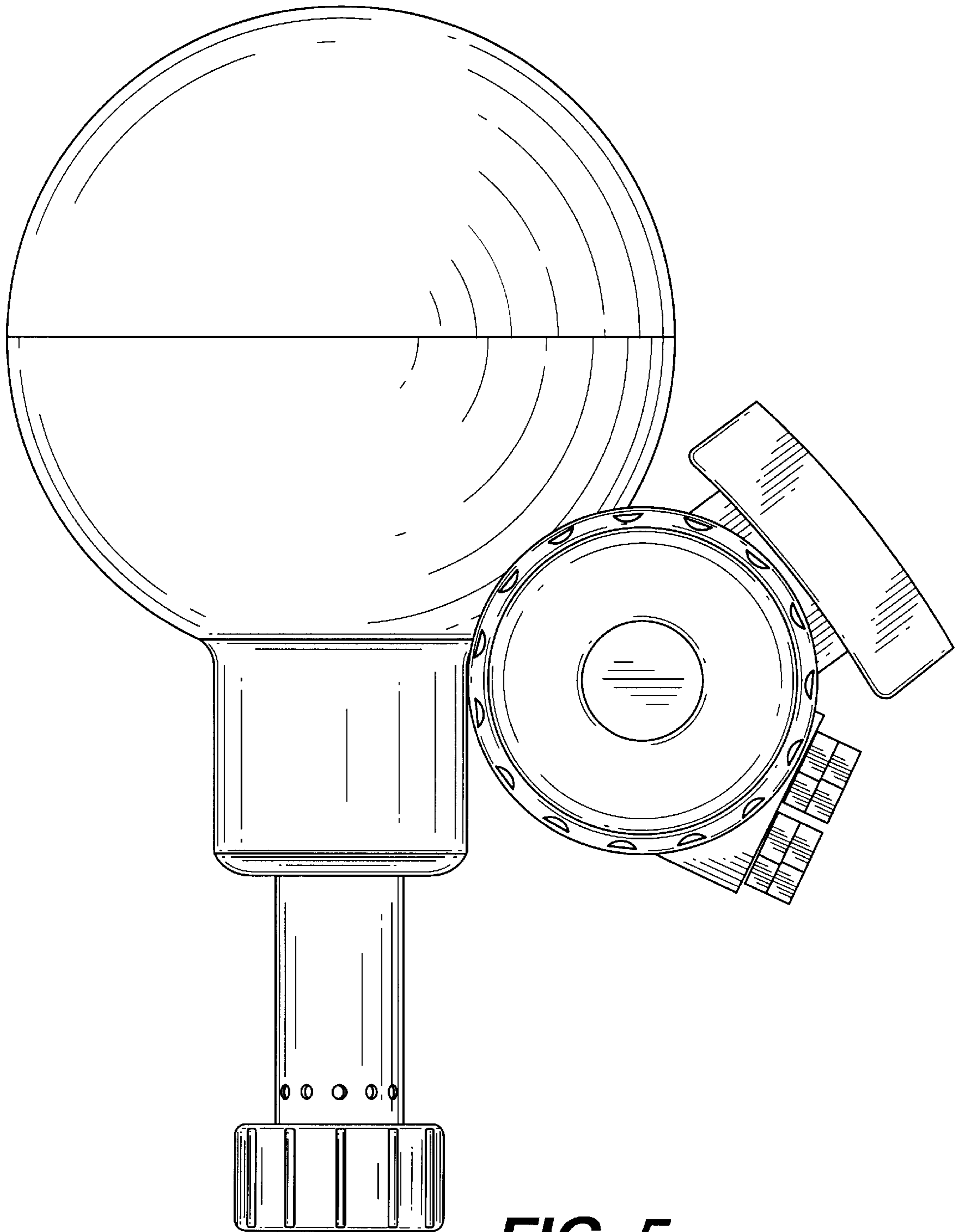


FIG. 5

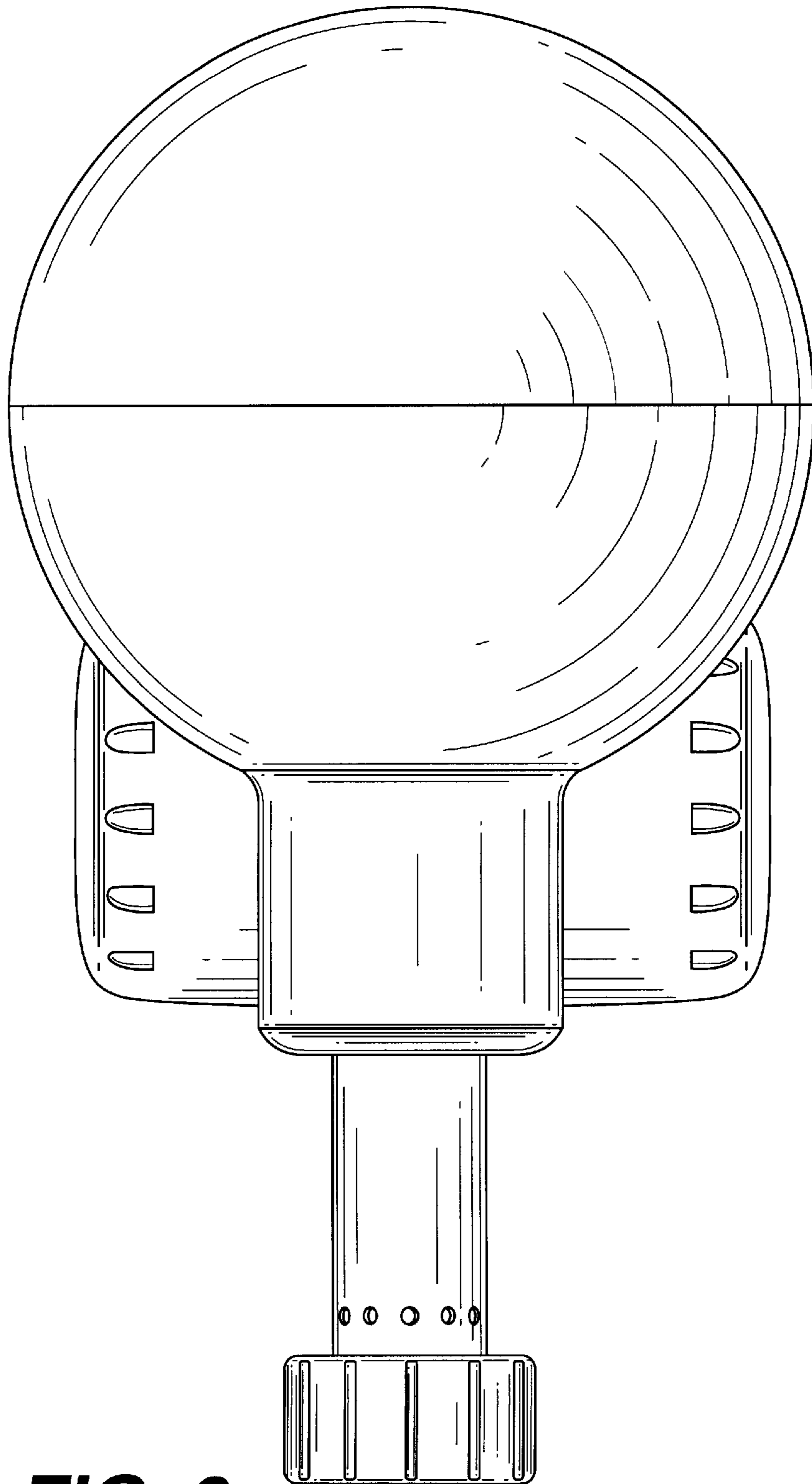


FIG. 6