



US00D411470S

United States Patent [19]
Webb

[11] **Patent Number: Des. 411,470**

[45] **Date of Patent: ** Jun. 29, 1999**

[54] **LASER BEAM LEVEL**

[76] Inventor: **James Webb**, 3112 Kashiwa St.,
Torrance, Calif. 90505

[**] Term: **14 Years**

[21] Appl. No.: **29/096,651**

[22] Filed: **Nov. 17, 1998**

[51] **LOC (6) Cl. 10-04**

[52] **U.S. Cl. D10/69**

[58] **Field of Search D10/69; 33/365-390,**
33/347, 348, 348.2

[56] **References Cited**

U.S. PATENT DOCUMENTS

D. 371,309 7/1996 Webb D10/69

Primary Examiner—Antoine Duval Davis
Attorney, Agent, or Firm—Roger A. Marrs

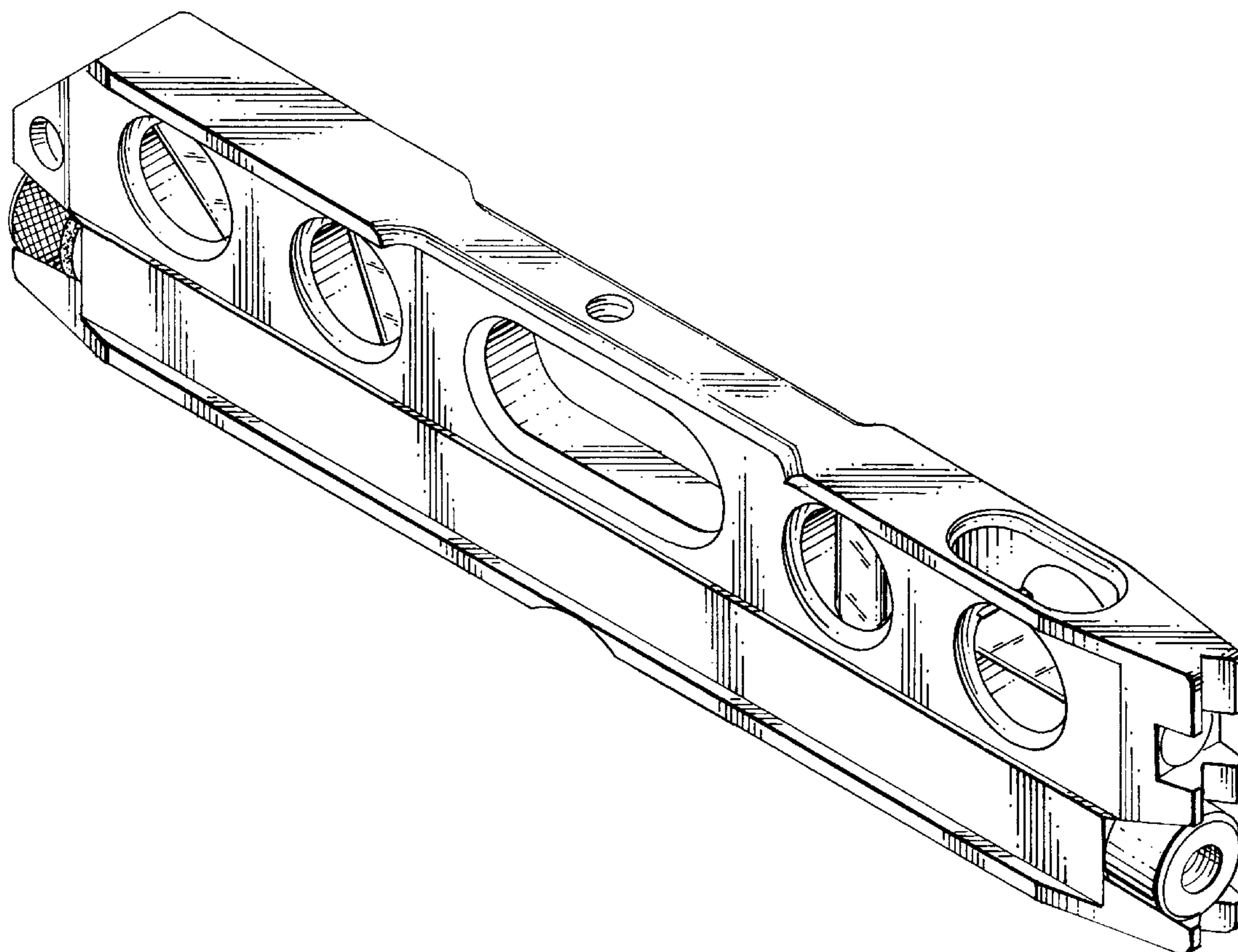
[57] **CLAIM**

The ornamental design for laser beam level, as shown and described.

DESCRIPTION

FIG. 1 is a perspective view showing my new design for a laser beam level;
FIG. 2 is a side elevational view thereof with the opposite side being a mirror image thereof;
FIG. 3 is a top view thereof;
FIG. 4 is a bottom view thereof;
FIG. 5 is a front end view thereof; and,
FIG. 6 is a rear end view thereof.

1 Claim, 2 Drawing Sheets



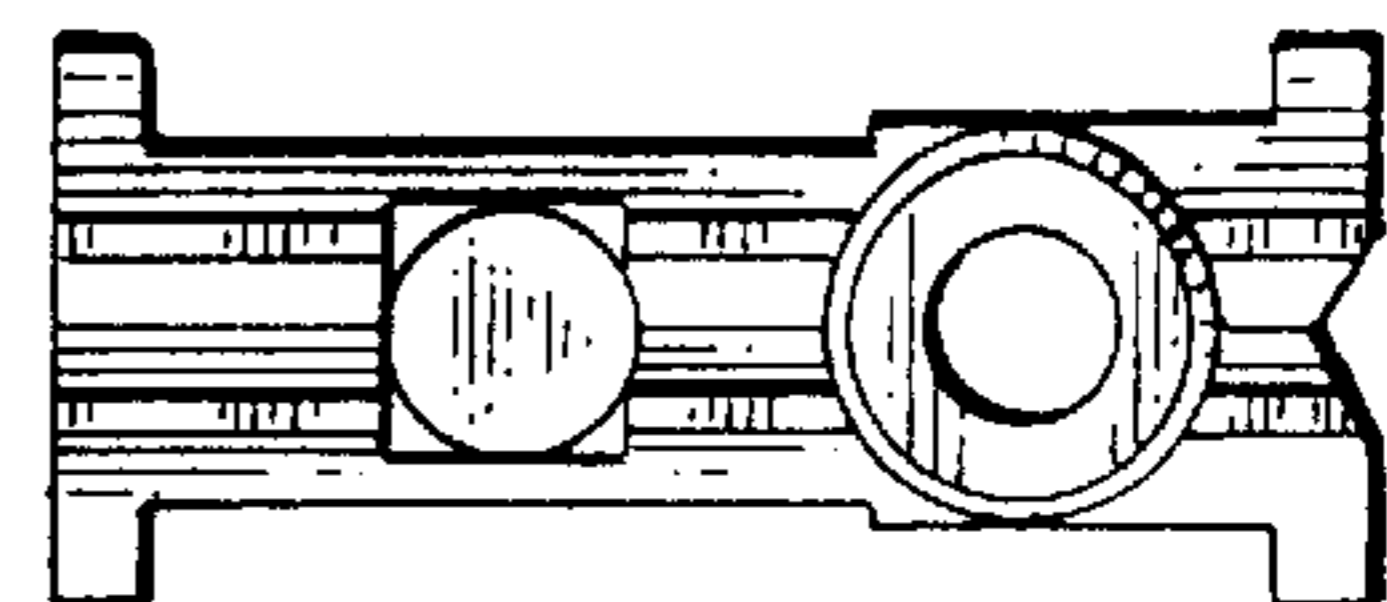
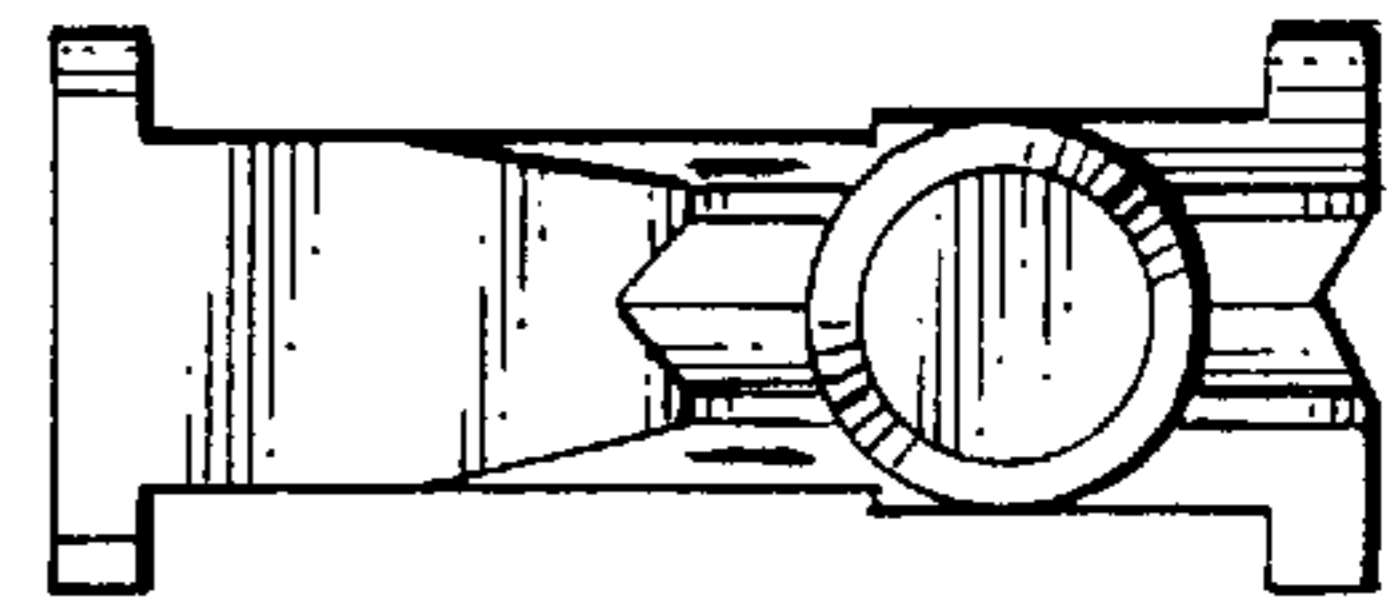
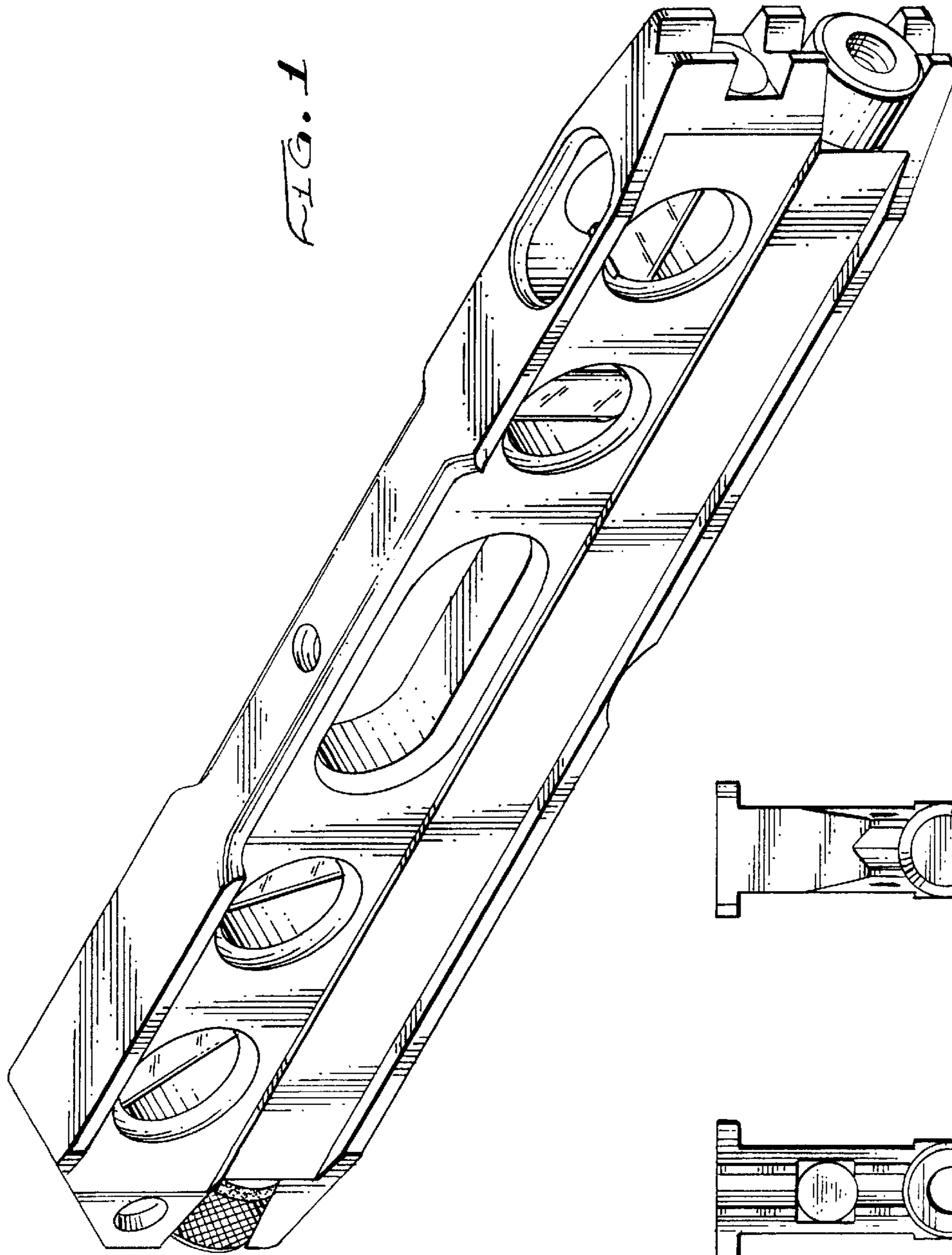


FIG. 2

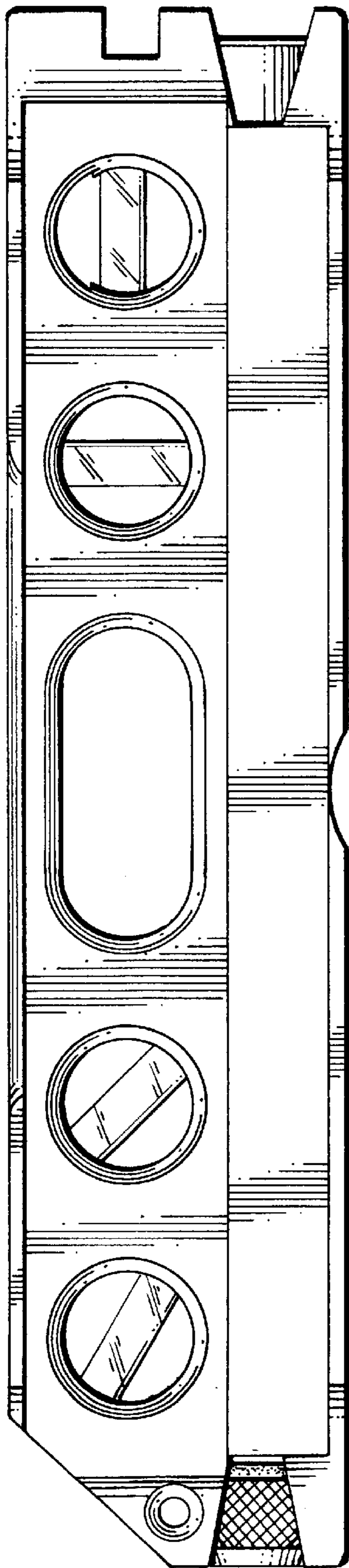


FIG. 3

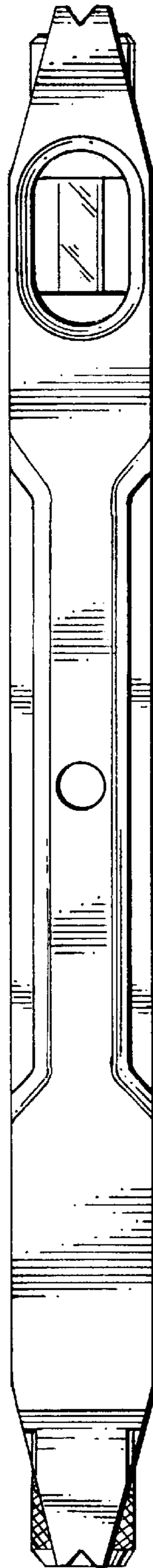


FIG. 4

