



US00D411469S

United States Patent [19] Smith

[11] Patent Number: **Des. 411,469**

[45] Date of Patent: **** Jun. 29, 1999**

[54] **SHINGLING GAUGE**

[76] Inventor: **Thomas L. Smith**, 300 Kilbourn Ave.,
Denmark, Iowa 52624

[**] Term: **14 Years**

[21] Appl. No.: **29/090,405**

[22] Filed: **Jul. 8, 1998**

[51] **LOC (6) Cl.** **10-04**

[52] **U.S. Cl.** **D10/65**

[58] **Field of Search** D10/65, 70; 33/648,
33/647, 649; 7/122; 52/DIG. 1; 81/45

[56] **References Cited**

U.S. PATENT DOCUMENTS

2,762,130	9/1956	Olson	33/188
2,887,781	5/1959	Mills	33/188
4,010,592	3/1977	Nixon	52/748
4,056,889	11/1977	Barnett, III	33/188
4,110,911	9/1978	Sucheck	33/188
4,183,144	1/1980	Barnett, III	33/648
4,266,388	5/1981	Flood	52/748

4,285,134	8/1981	Schmanski	33/188
5,050,357	9/1991	Lawson	52/314
5,197,257	3/1993	Nietling	52/749

Primary Examiner—Antoine Duval Davis
Attorney, Agent, or Firm—John D Gugliotta

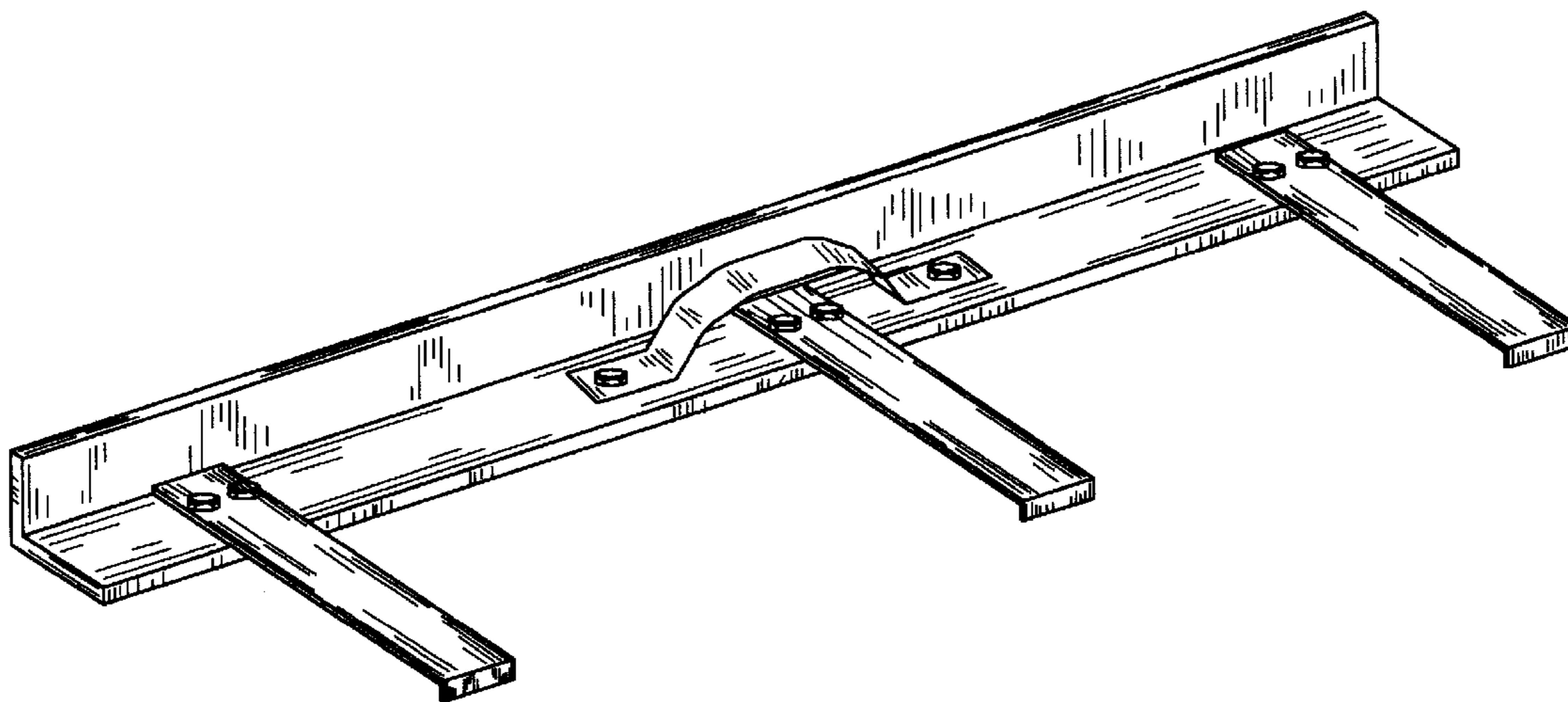
[57] **CLAIM**

The ornamental design for a shingling gauge, as shown and described.

DESCRIPTION

FIG. 1 is a perspective view of a shingling gauge showing my new design;
FIG. 2 is a top plan view thereof;
FIG. 3 is a bottom plan view thereof;
FIG. 4 is a left side elevational view thereof;
FIG. 5 is a right side elevational view thereof;
FIG. 6 is a front elevational view thereof;
FIG. 7 is a rear elevational view thereof; and,
FIG. 8 is a perspective view depicting the use thereof.
The broken line showing is for illustrative purposes only and forms no part of the claimed design.

1 Claim, 4 Drawing Sheets



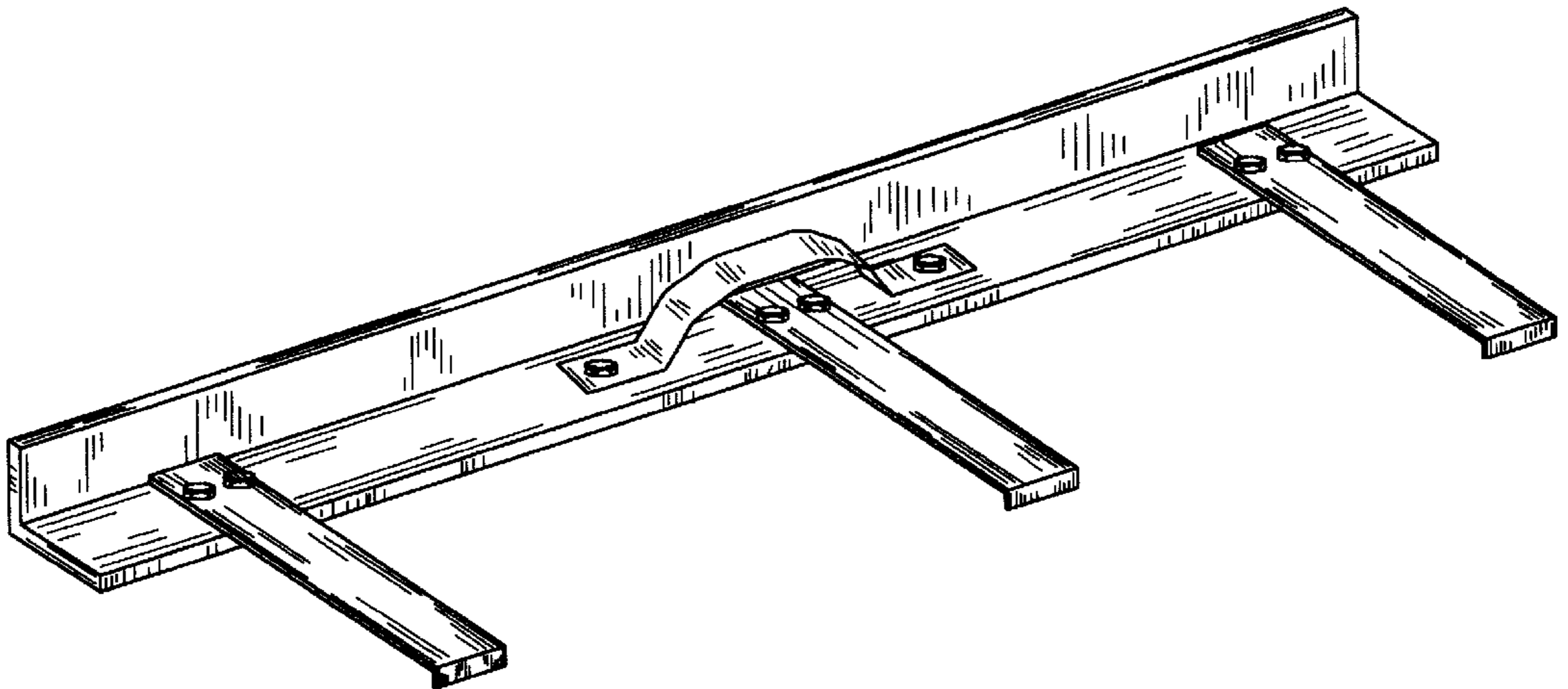


Figure 1

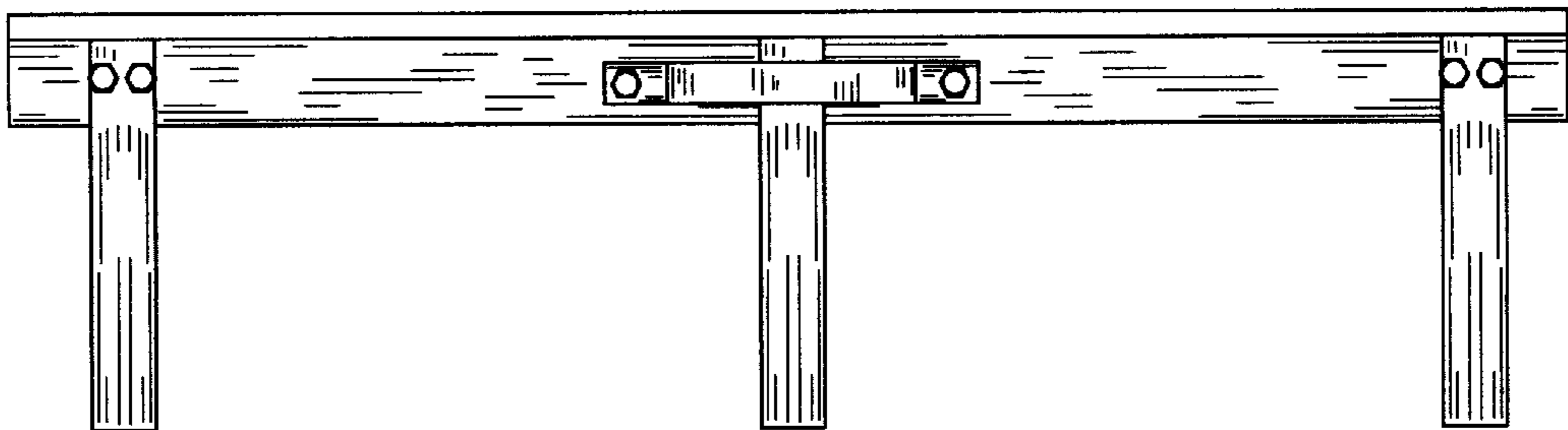


Figure 2

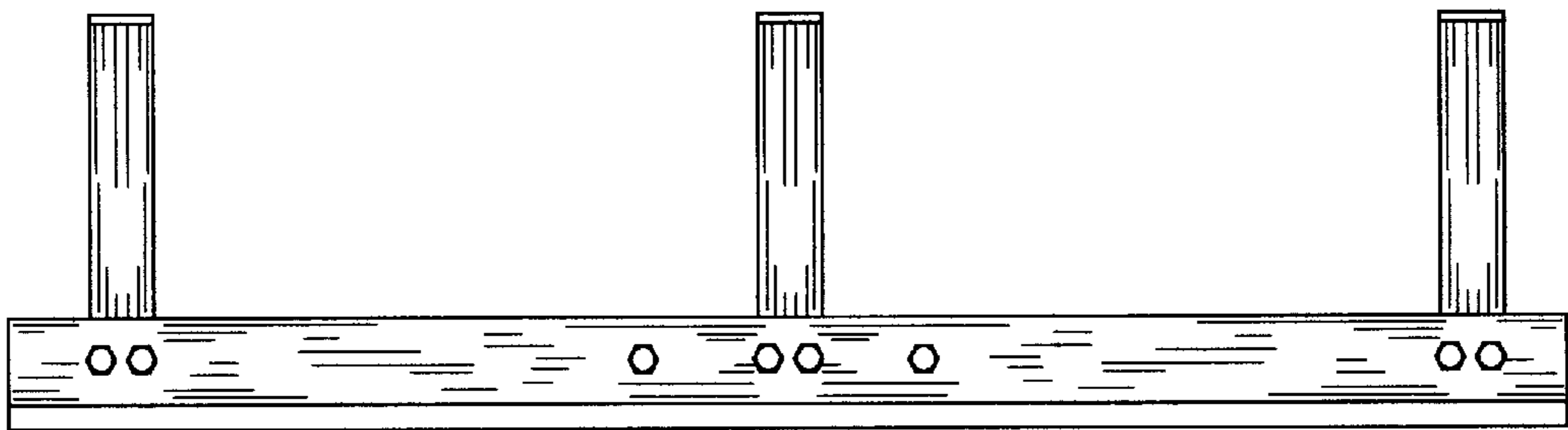


Figure 3

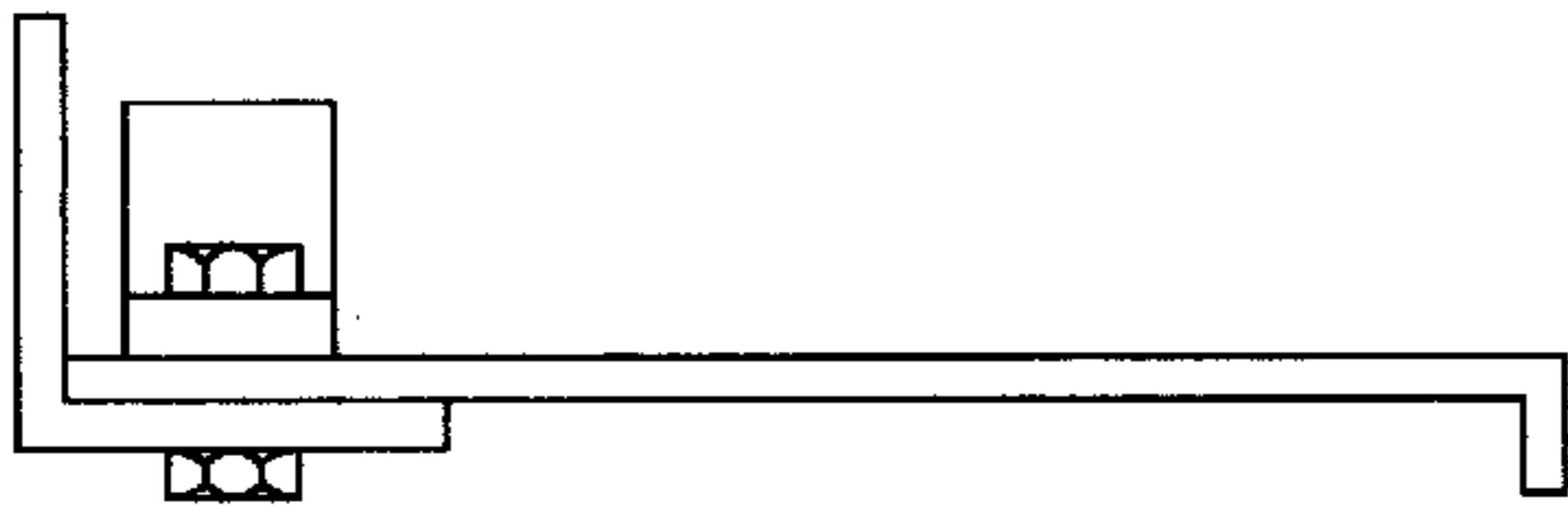


Figure 4

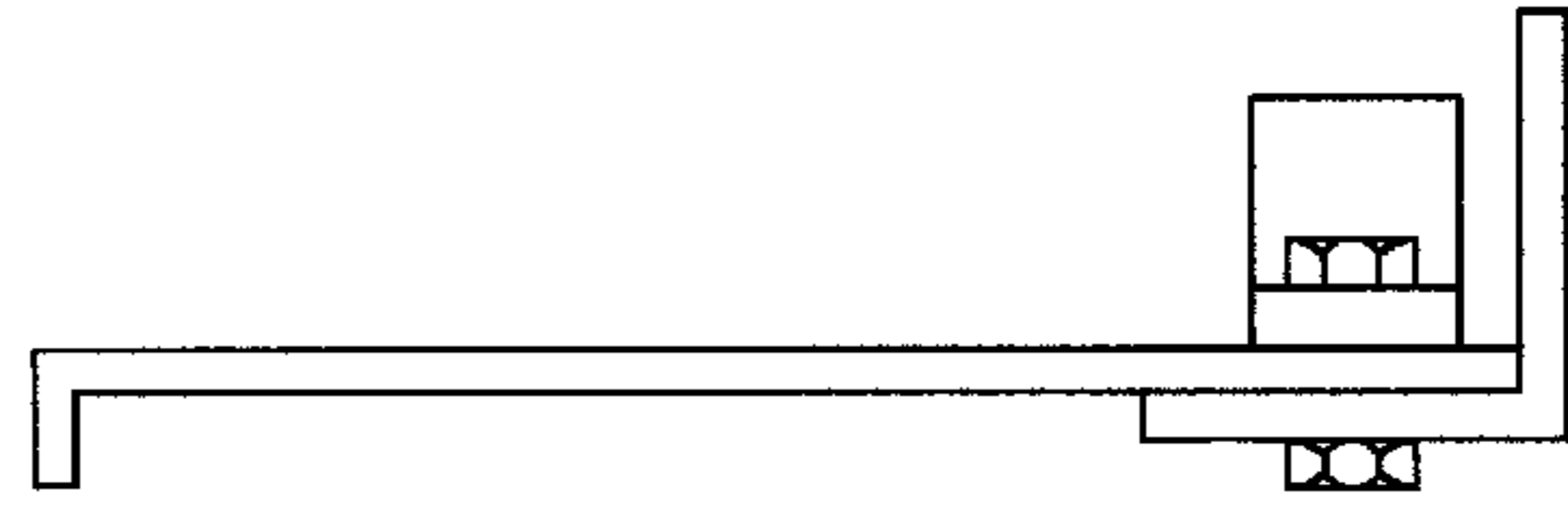


Figure 5

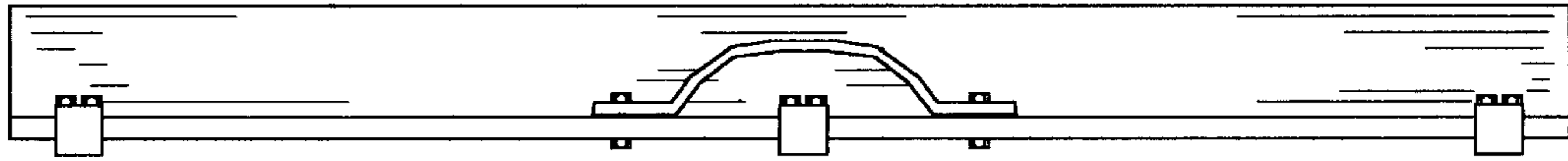


Figure 6



Figure 7

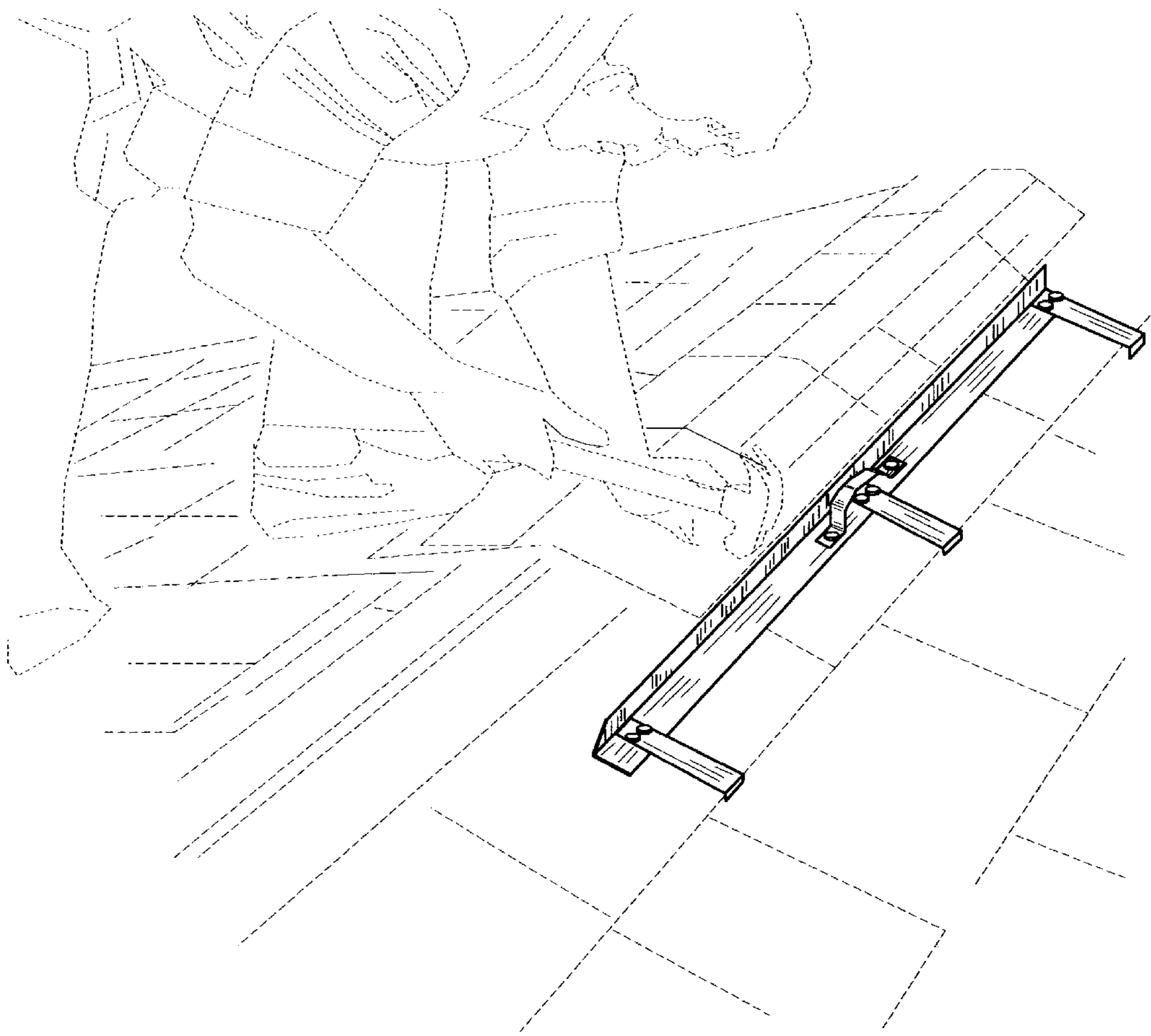


Figure 8