



US00D411465S

United States Patent [19]

[11] Patent Number: **Des. 411,465**

Nasca et al.

[45] Date of Patent: **** Jun. 29, 1999**

[54] **ALARM CLOCK**

D. 334,384	3/1993	Nye	D14/142
D. 356,508	3/1995	Chen	D10/6
D. 358,773	5/1995	Sutherland	D10/2
D. 371,974	7/1996	Wong	D10/6

[76] Inventors: **Kimberly Ann Nasca; Michael Pearson**, both of 1830 N. 75th Ct., Elmwood Park, Ill. 60635

Primary Examiner—Nelson C. Holtje

[**] Term: **14 Years**

[57] CLAIM

[21] Appl. No.: **29/072,966**

The ornamental design for a alarm clock, as shown.

[22] Filed: **Jun. 26, 1997**

DESCRIPTION

[51] **LOC (6) Cl.** **10-01**

FIG. 1 is a front plan view of the alarm clock of the present invention;

[52] **U.S. Cl.** **D10/6; D14/170; D14/171**

FIG. 2 is a back plan view of the alarm clock of FIG. 1; FIG. 3 is a left side plan view of the alarm clock of FIG. 1; FIG. 4 is a right side plan view of the alarm clock of FIG. 1;

[58] **Field of Search** D10/2, 6, 15; D14/142, D14/143, 144, 170, 171; 368/10, 11

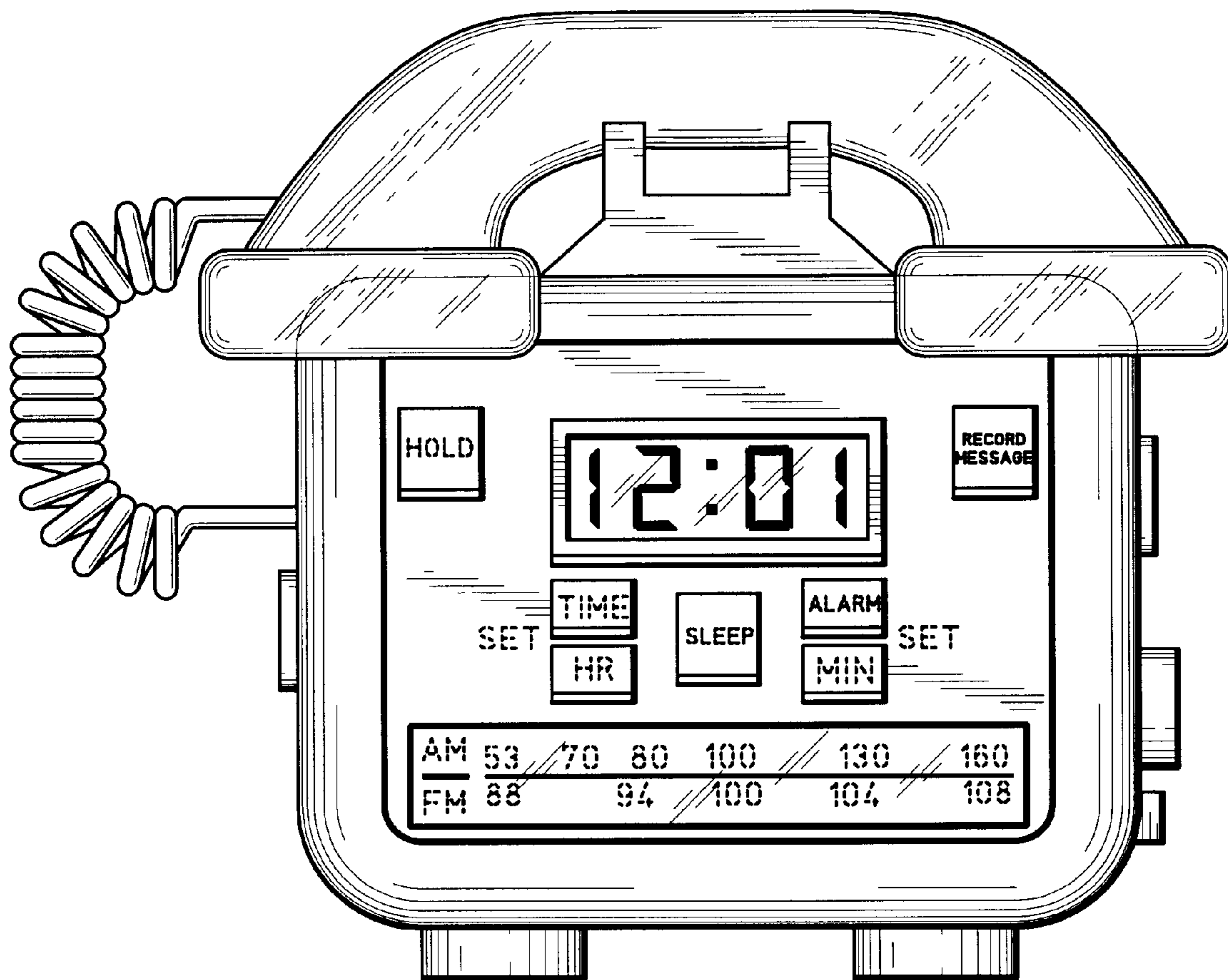
FIG. 5 is a top plan view of the alarm clock of FIG. 1; and, FIG. 6 is a bottom plan view of the alarm clock of FIG. 1.

[56] References Cited

U.S. PATENT DOCUMENTS

D. 273,787	5/1984	Matthews	D14/144
D. 303,525	9/1989	Stewart	D14/142
D. 312,457	11/1990	Inatomi	D14/144

1 Claim, 3 Drawing Sheets



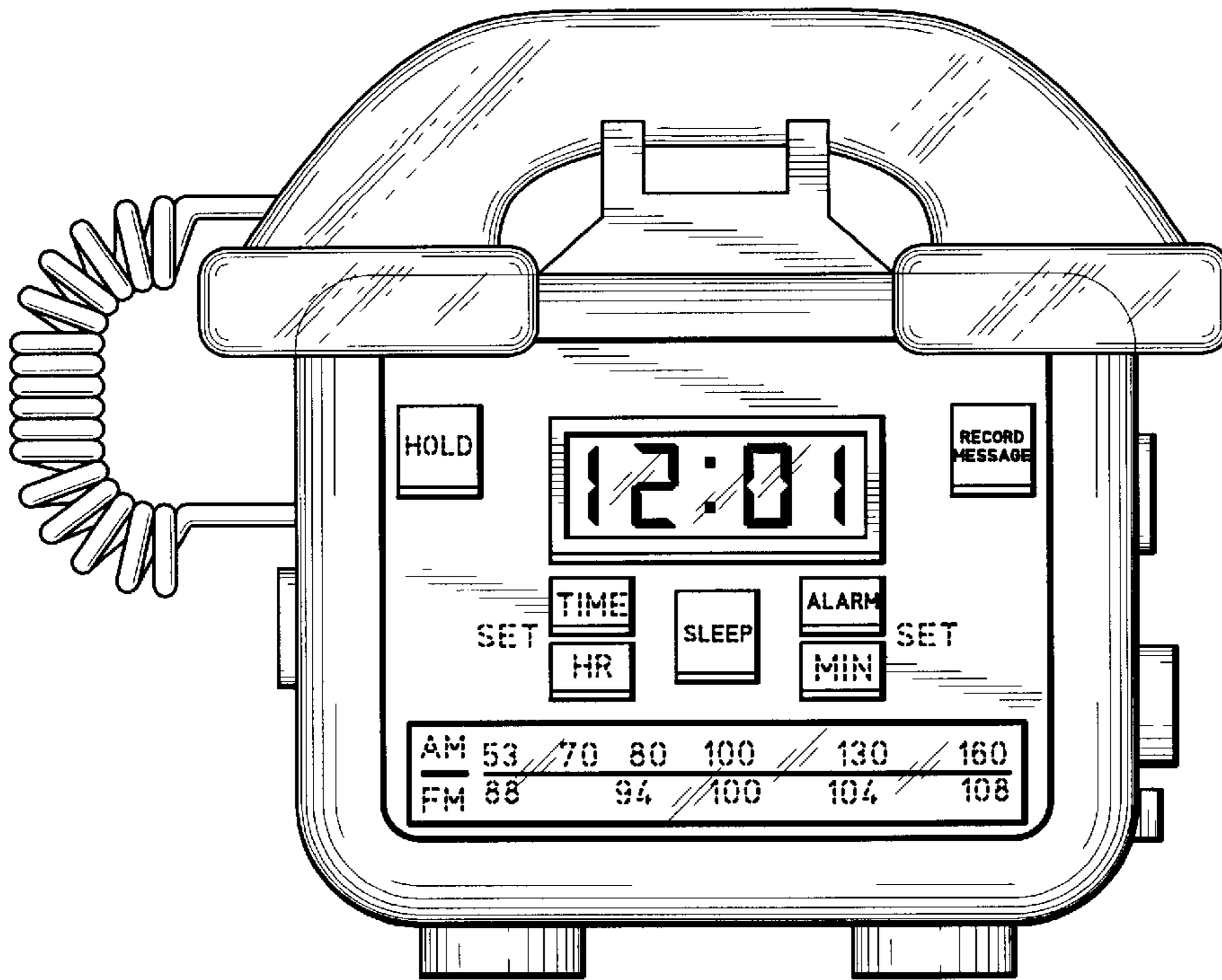


Fig. 1

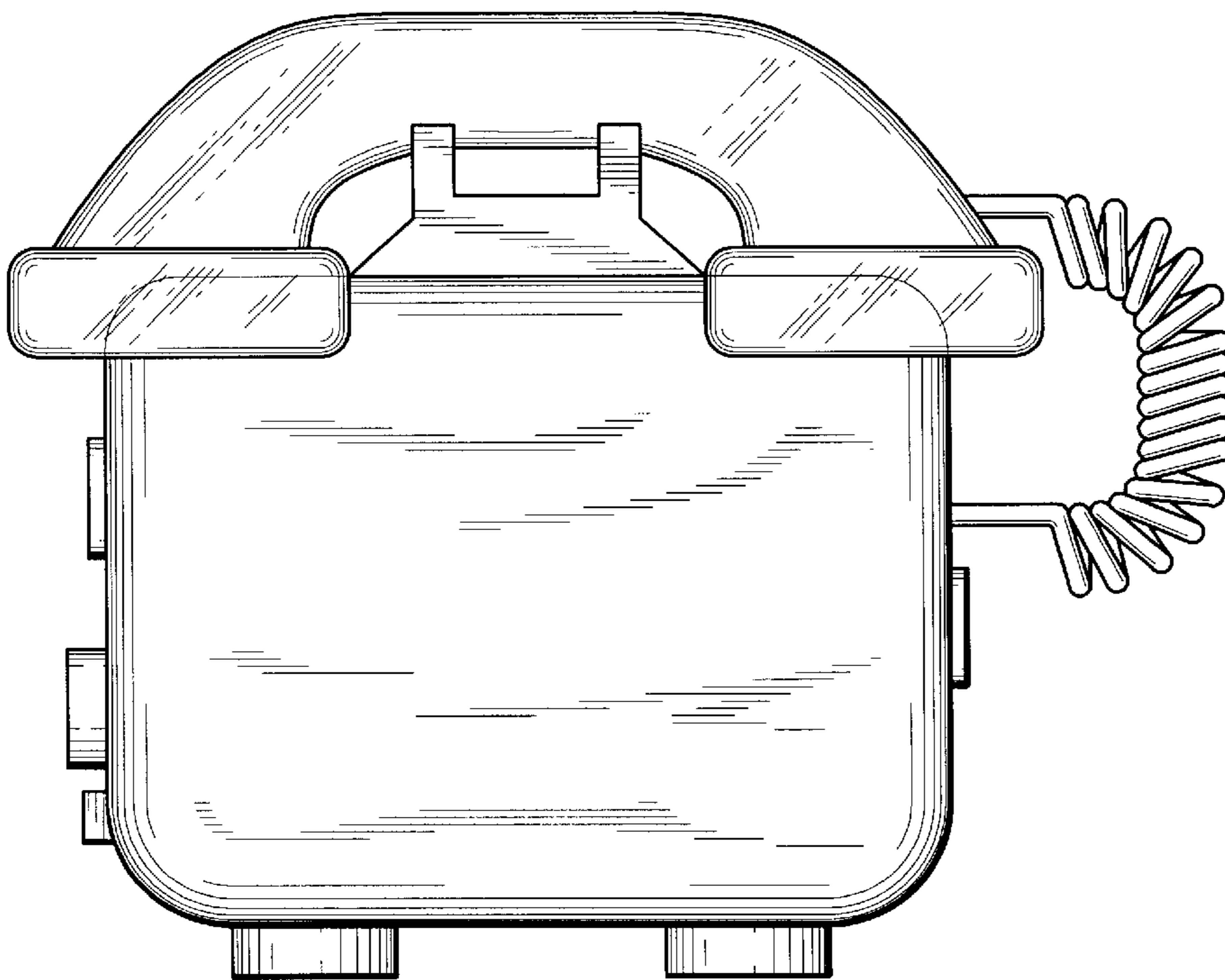


Fig. 2

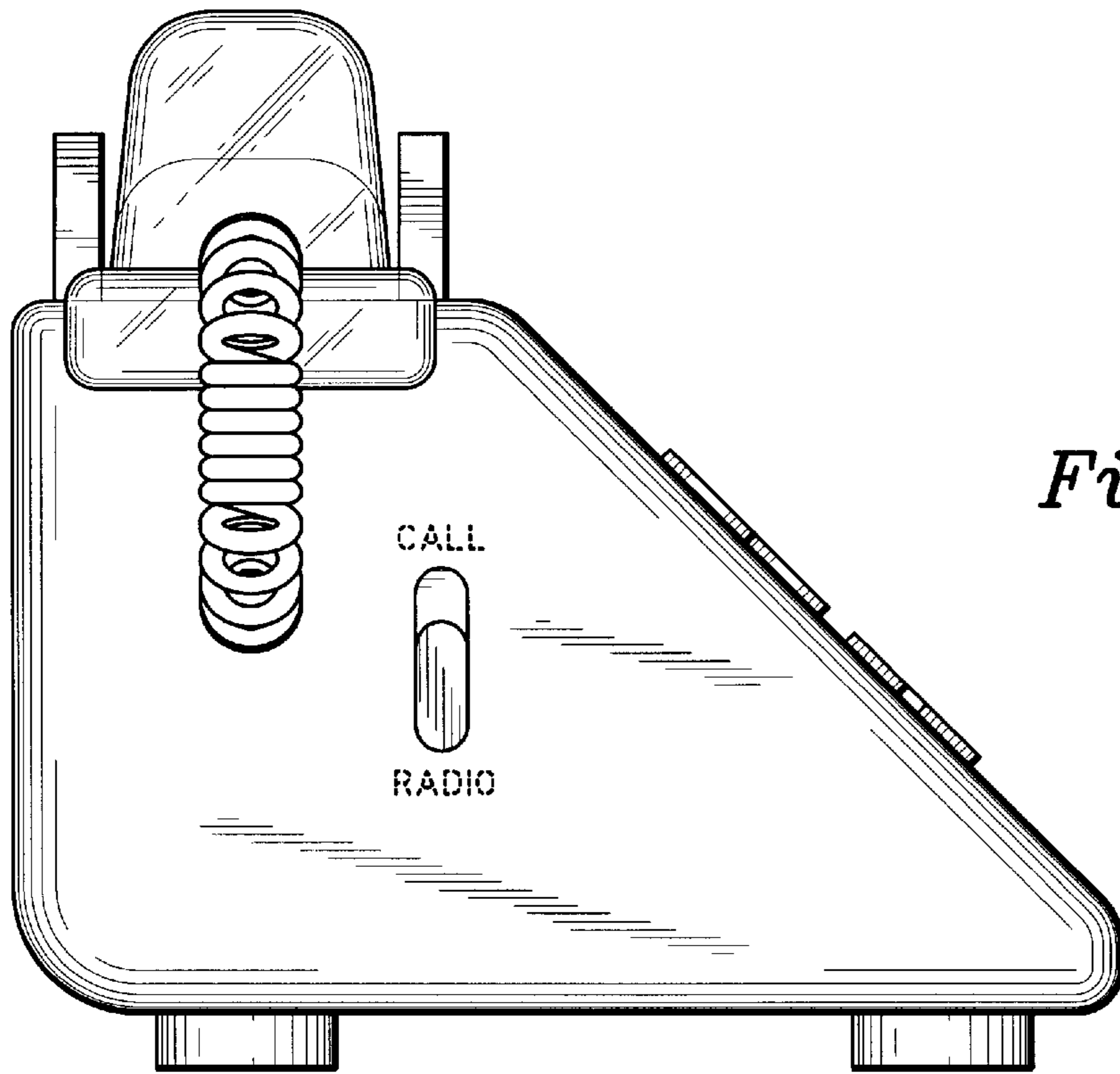


Fig. 3

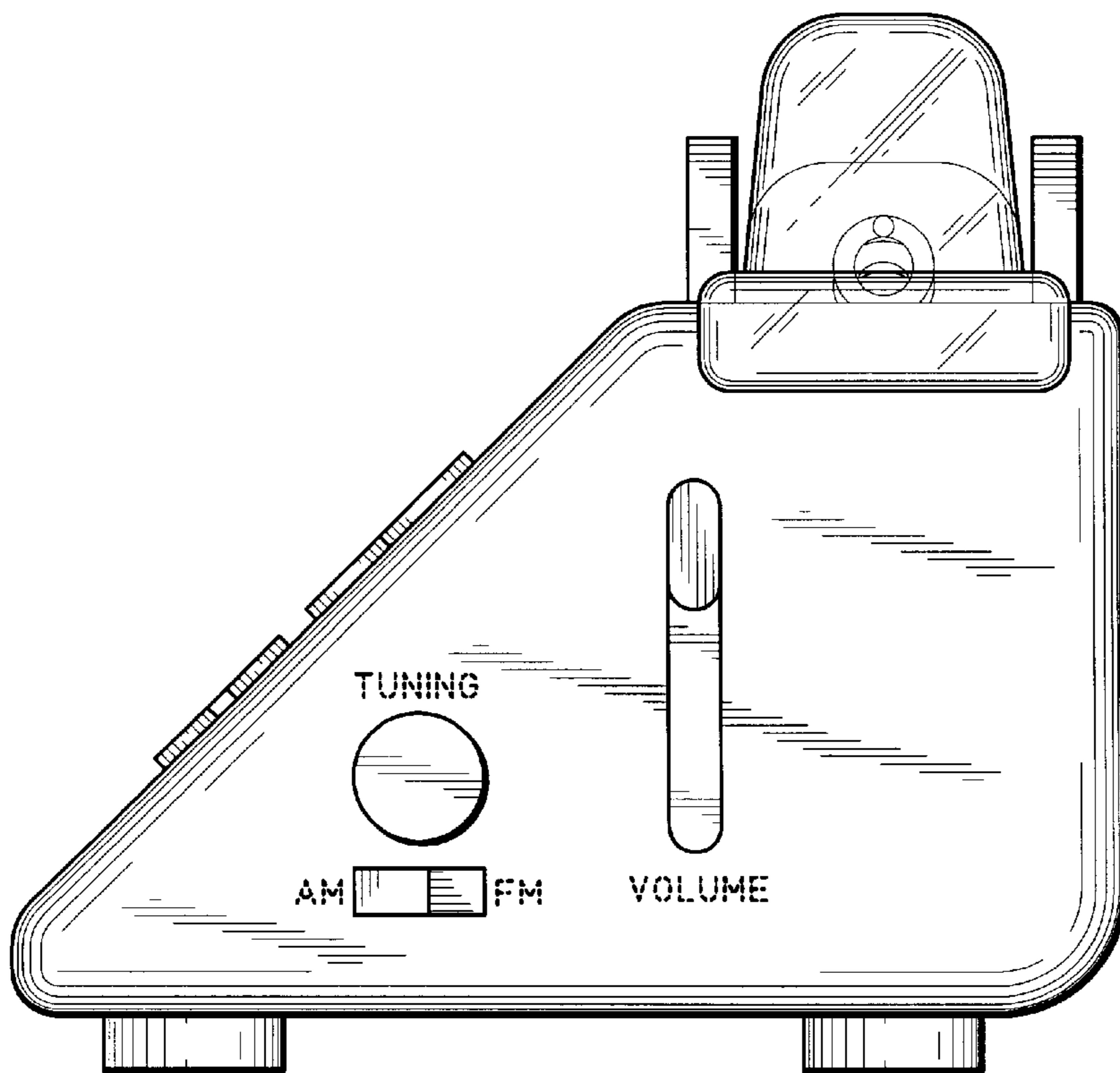


Fig. 4

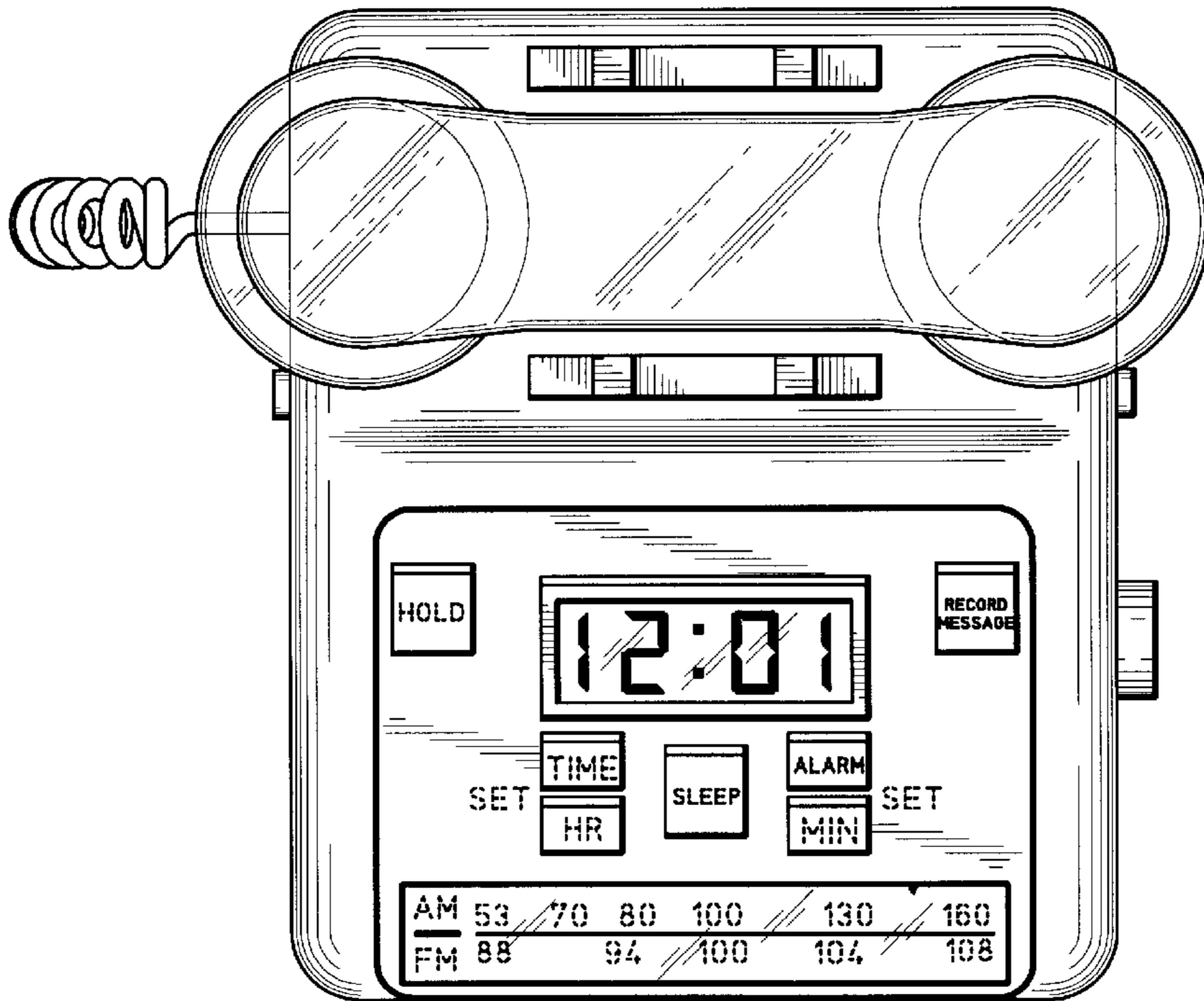


Fig. 5

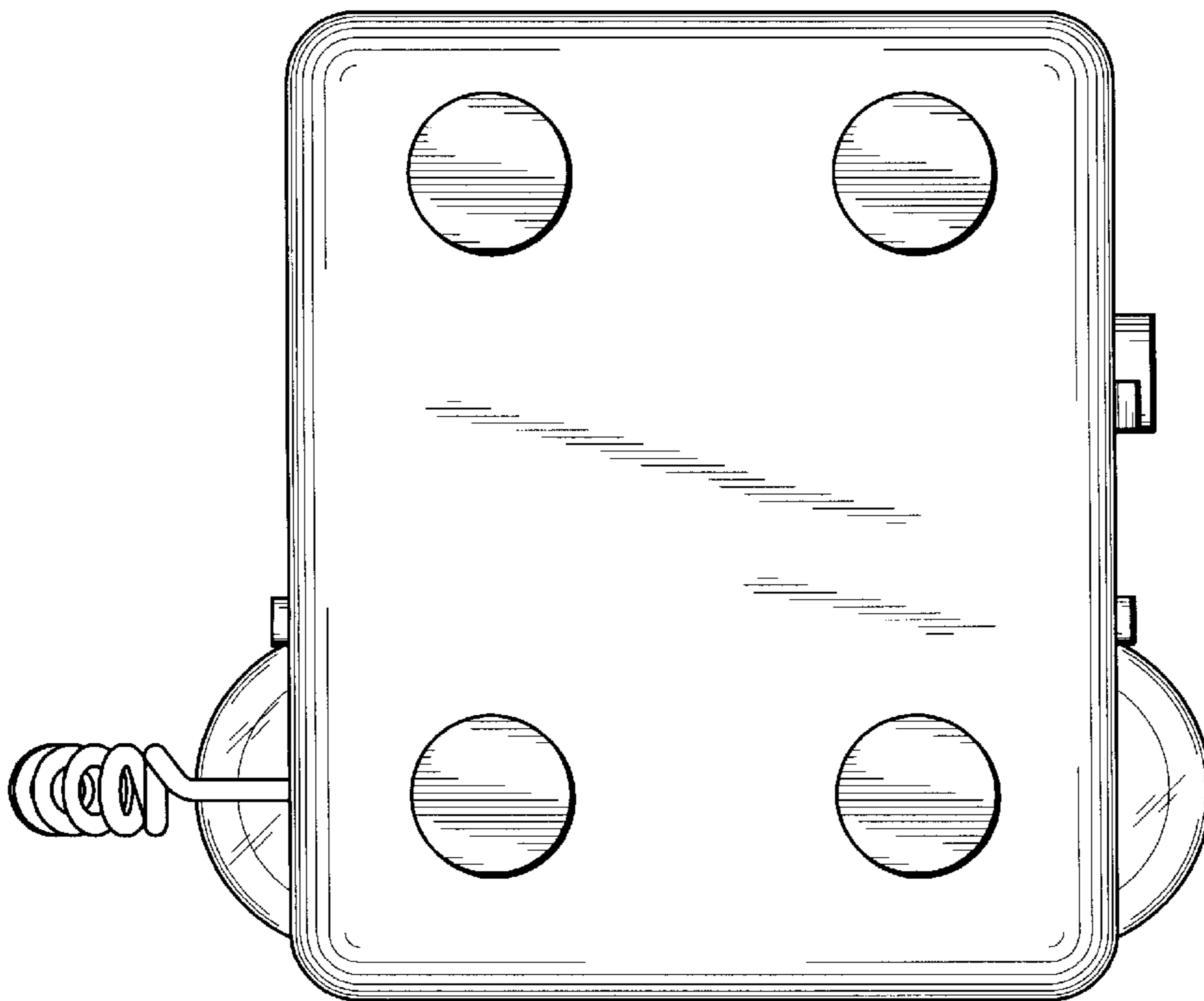


Fig. 6