



US00D411451S

United States Patent [19]
Young

[11] **Patent Number: Des. 411,451**

[45] **Date of Patent: ** Jun. 22, 1999**

[54] **CONTAINER CLOSURE**

5,358,129 10/1994 Watts 215/206

[75] Inventor: **Tyler F. Young**, Hampden, Mass.

Primary Examiner—Doris V. Coles

Assistant Examiner—Cathron B. Matta

[73] Assignee: **W. F. Young**, Springfield, Mass.

Attorney, Agent, or Firm—McCormick, Paulding & Huber

[**] Term: **14 Years**

[57] **CLAIM**

[21] Appl. No.: **29/080,425**

A new and ornamental design for a container closure, as shown and described.

[22] Filed: **Dec. 9, 1997**

DESCRIPTION

[51] **LOC (6) Cl.** **09-07**

[52] **U.S. Cl.** **D9/443**

[58] **Field of Search** D9/435, 443, 446,
D9/453, 454; 215/206, 295, 302, 305

FIG. 1 is a top perspective view of the container closure showing my new design;

FIG. 2 is a top plan view of the container closure of FIG. 1;

FIG. 3 is a side elevation view of the container closure of FIG. 1, the opposite side view being a mirror image;

FIG. 4 is a front elevation view of the container closure of FIG. 1, the rear elevation view being a mirror image; and,

FIG. 5 is a bottom view of the container closure of FIG. 1.

[56] **References Cited**

U.S. PATENT DOCUMENTS

- D. 329,980 10/1992 Powell et al. D9/443
- D. 381,907 8/1997 King D9/443
- D. 385,491 10/1997 Mueller et al. D9/446

1 Claim, 1 Drawing Sheet

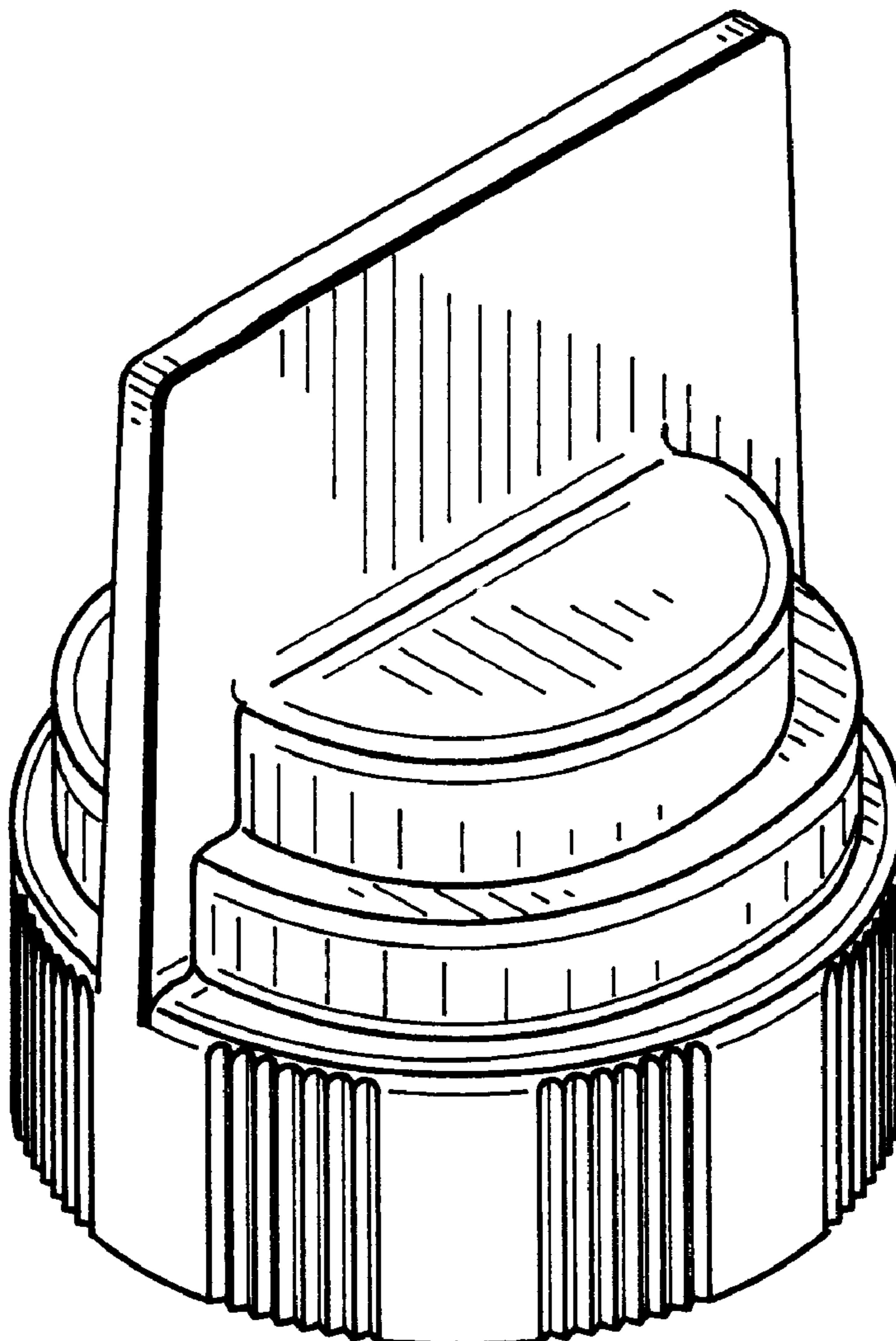


FIG. 1

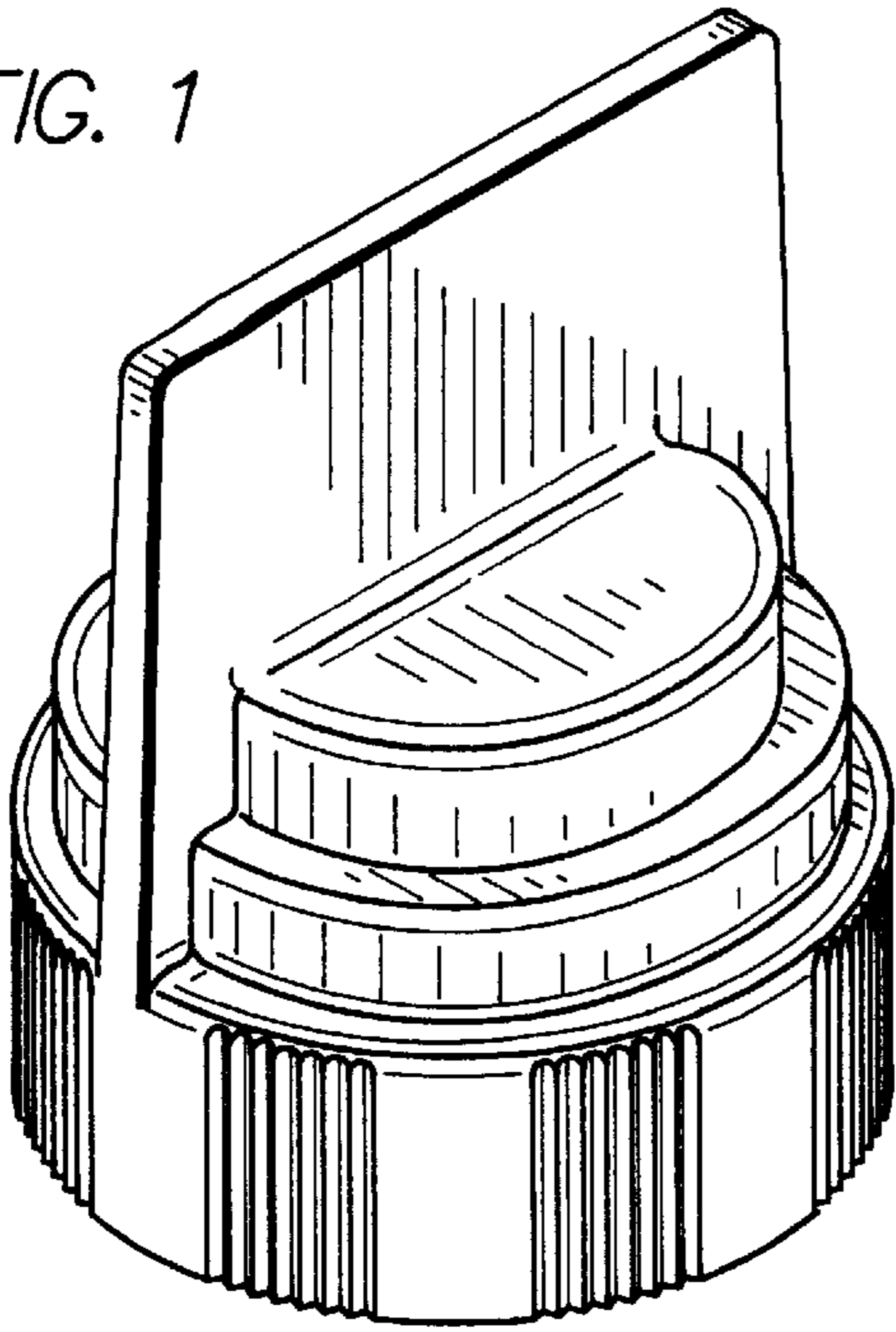


FIG. 2

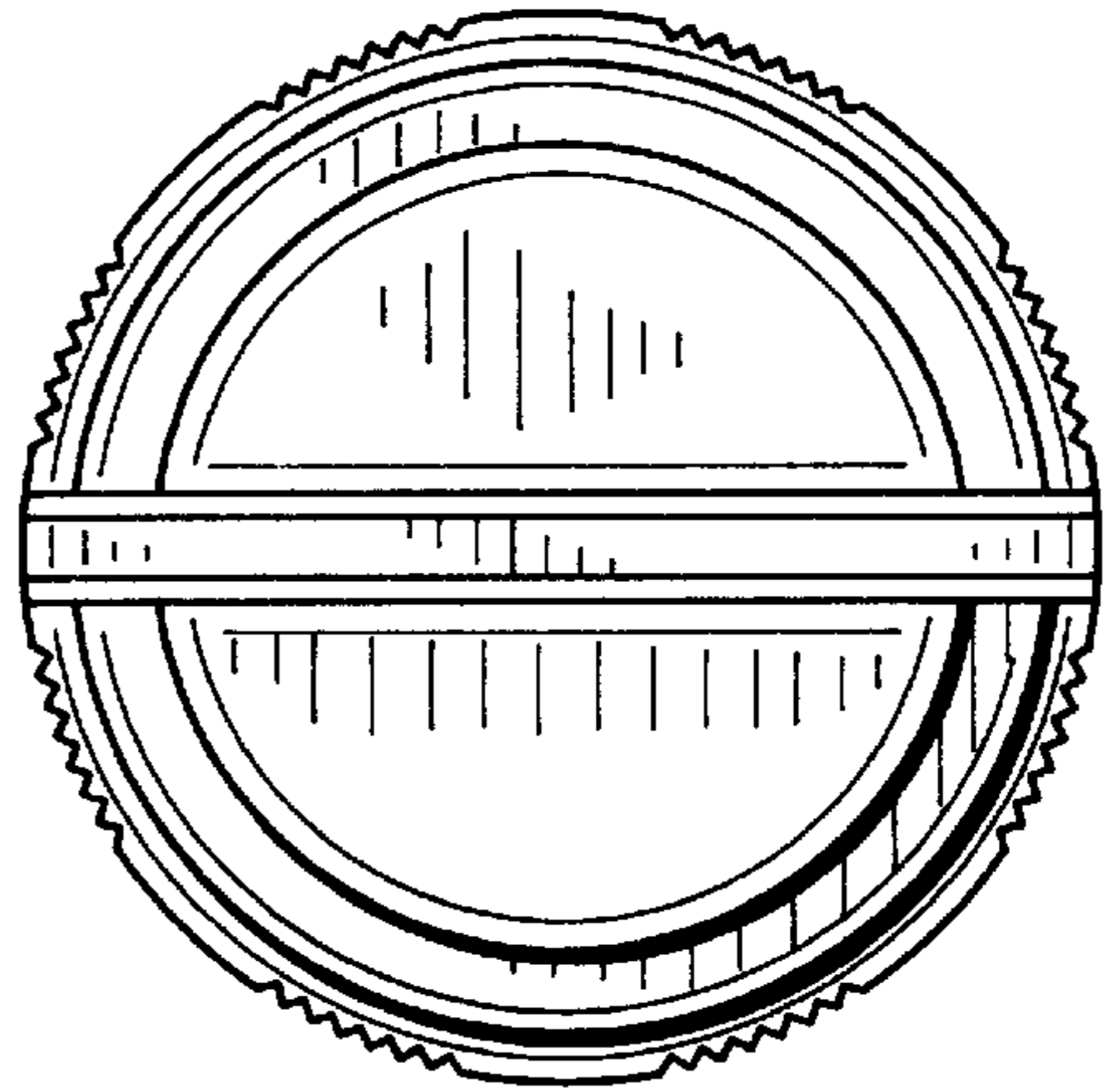


FIG. 3

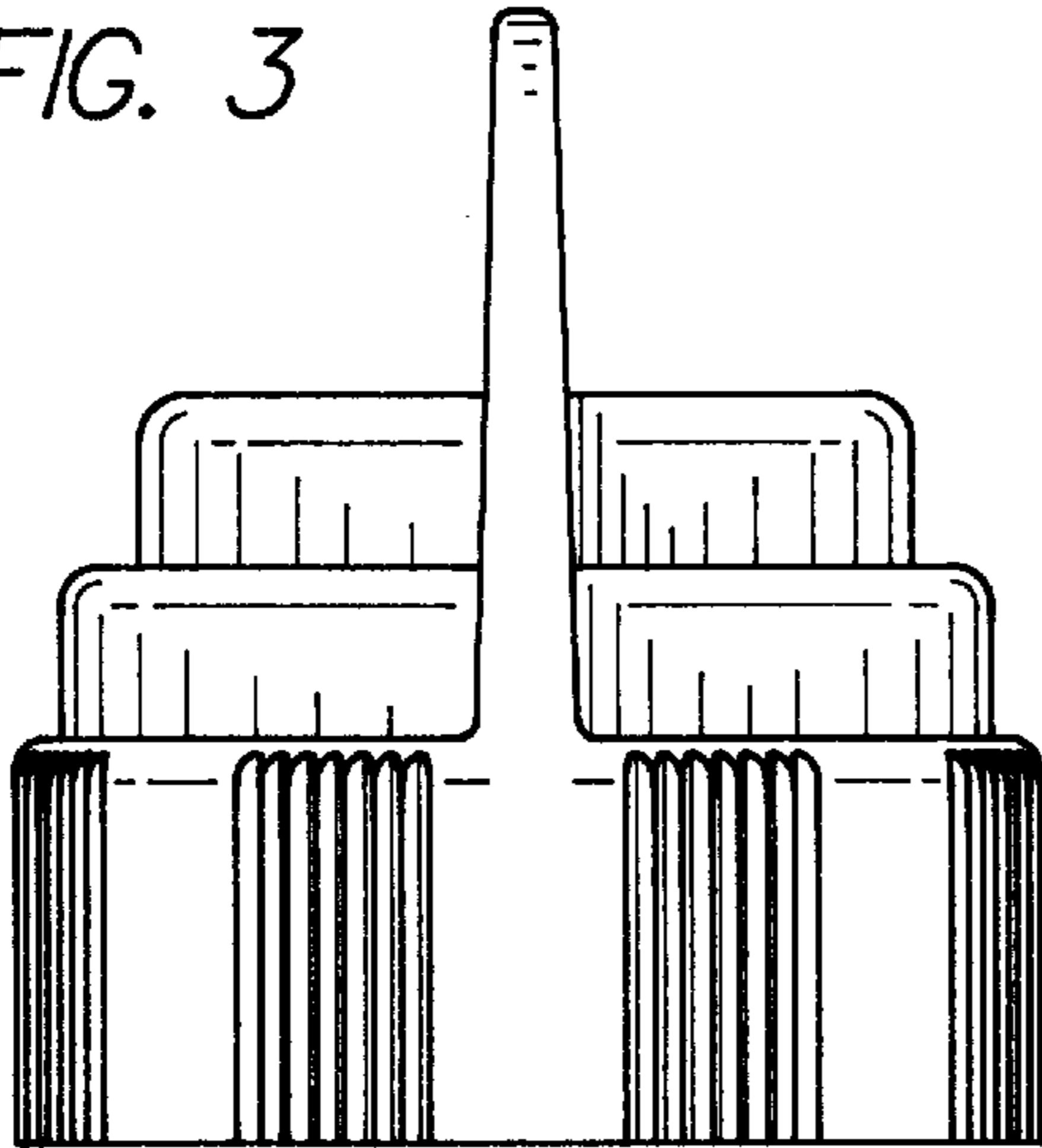


FIG. 4

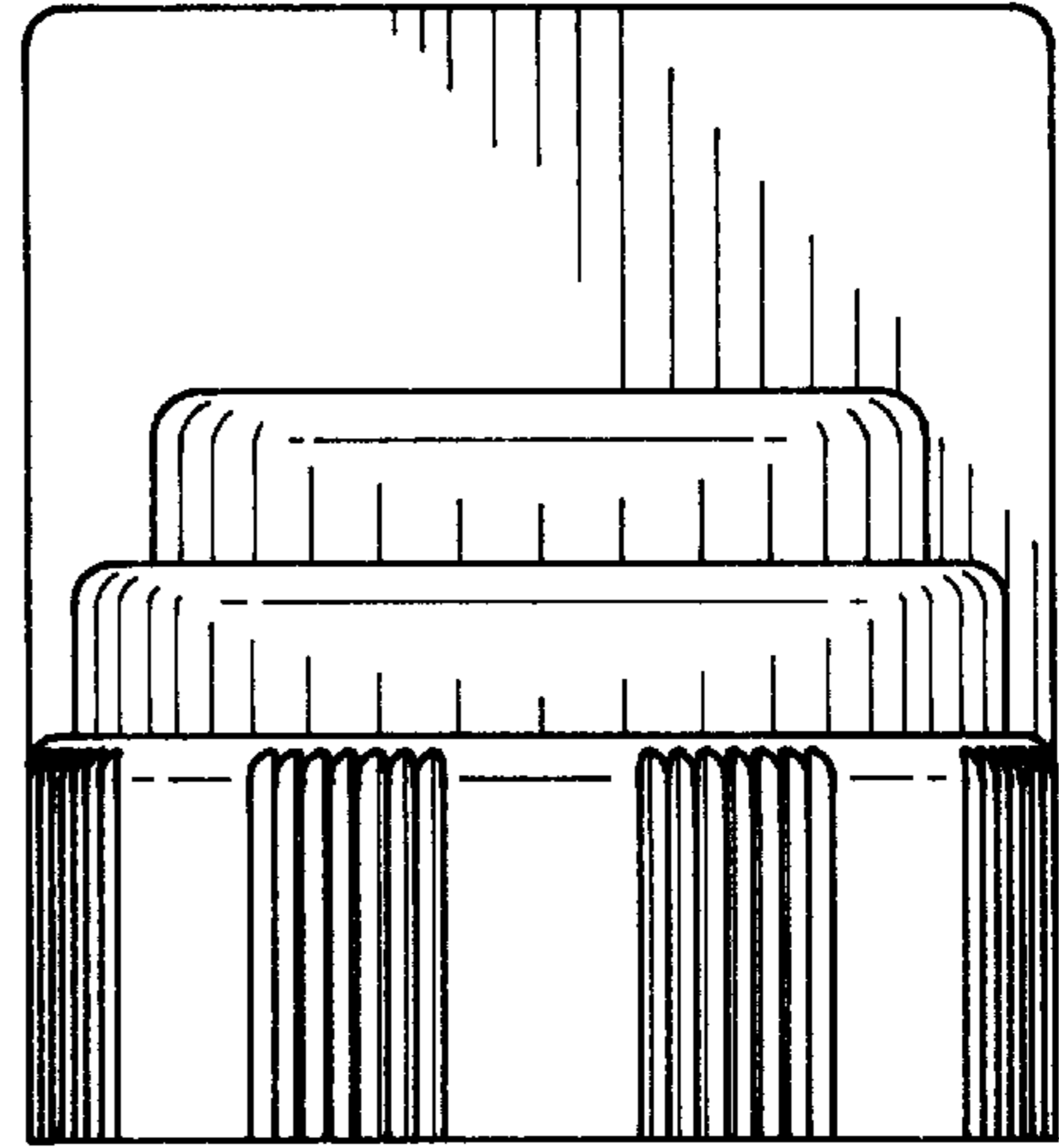


FIG. 5

