



US00D411449S

United States Patent [19]

[11] Patent Number: Des. 411,449

Voden

[45] Date of Patent: ** Jun. 22, 1999

[54] DART PACKAGE

[75] Inventor: Nicholas L. Voden, New Berlin, Wis.

[73] Assignee: Great Lakes Dart Mfg., Inc., Muskego, Wis.

[**] Term: 14 Years

[21] Appl. No.: 29/096,979

[22] Filed: Nov. 25, 1998

[51] LOC (6) Cl. 09-07

[52] U.S. Cl. D9/415

[58] Field of Search D9/415, 418, 341, D9/428, 337; 206/461-471, 806, 495, 579, 315.11, 315.1; D21/387

[56] References Cited

U.S. PATENT DOCUMENTS

D. 256,727	9/1980	Borg et al.	D9/415 X
D. 285,121	8/1986	Schwartz	D9/415 X
D. 310,137	8/1990	Mays	D3/39
D. 330,325	10/1992	Kocon	D9/415 X
D. 343,575	1/1994	Edelson	D9/415
D. 375,258	11/1996	Weder et al.	D9/329
D. 394,003	5/1998	Tate	D9/415
D. 403,150	12/1998	Diener et al.	D9/415 X
1,627,145	5/1927	Breed	.	
2,687,157	8/1954	Cowan	150/0.5
3,043,354	7/1962	Fitzgerald	150/0.5
3,151,741	10/1964	Haecker	206/315.1 X
3,612,261	10/1971	Cicero	206/37 R
3,648,400	3/1972	Wolfe	43/54.5
3,952,873	4/1976	Pampuch et al.	206/528
3,960,271	6/1976	Nelson	206/315 R
4,349,102	9/1982	Strongwater	206/45.34
4,632,242	12/1986	Choi et al.	206/45.34
4,773,578	9/1988	Braun	224/252

4,884,718	12/1989	Leahy	220/339
5,067,610	11/1991	Jensen	206/315.1
5,085,319	2/1992	Wellman et al.	206/315.1
5,165,537	11/1992	Neff et al.	206/315.1
5,209,345	5/1993	Haugabook	206/45.13
5,238,108	8/1993	Velezis et al.	206/315.1
5,263,889	11/1993	Ledonne	446/5
5,409,109	4/1995	Smith	206/315.1
5,450,992	9/1995	Coffee	224/240
5,522,508	6/1996	Pesola	206/579
5,533,625	7/1996	Mikkelsen	206/565
5,586,677	12/1996	Foos	220/260
5,775,313	7/1998	Bresette et al.	206/315.1 X

FOREIGN PATENT DOCUMENTS

1480373	4/1967	France	.	
1583862	2/1981	United Kingdom	B65D 43/16

Primary Examiner—Prabhakar Deshmukh
Attorney, Agent, or Firm—Timothy J. Ziolkowski; Whyte Hirschboeck Dudek

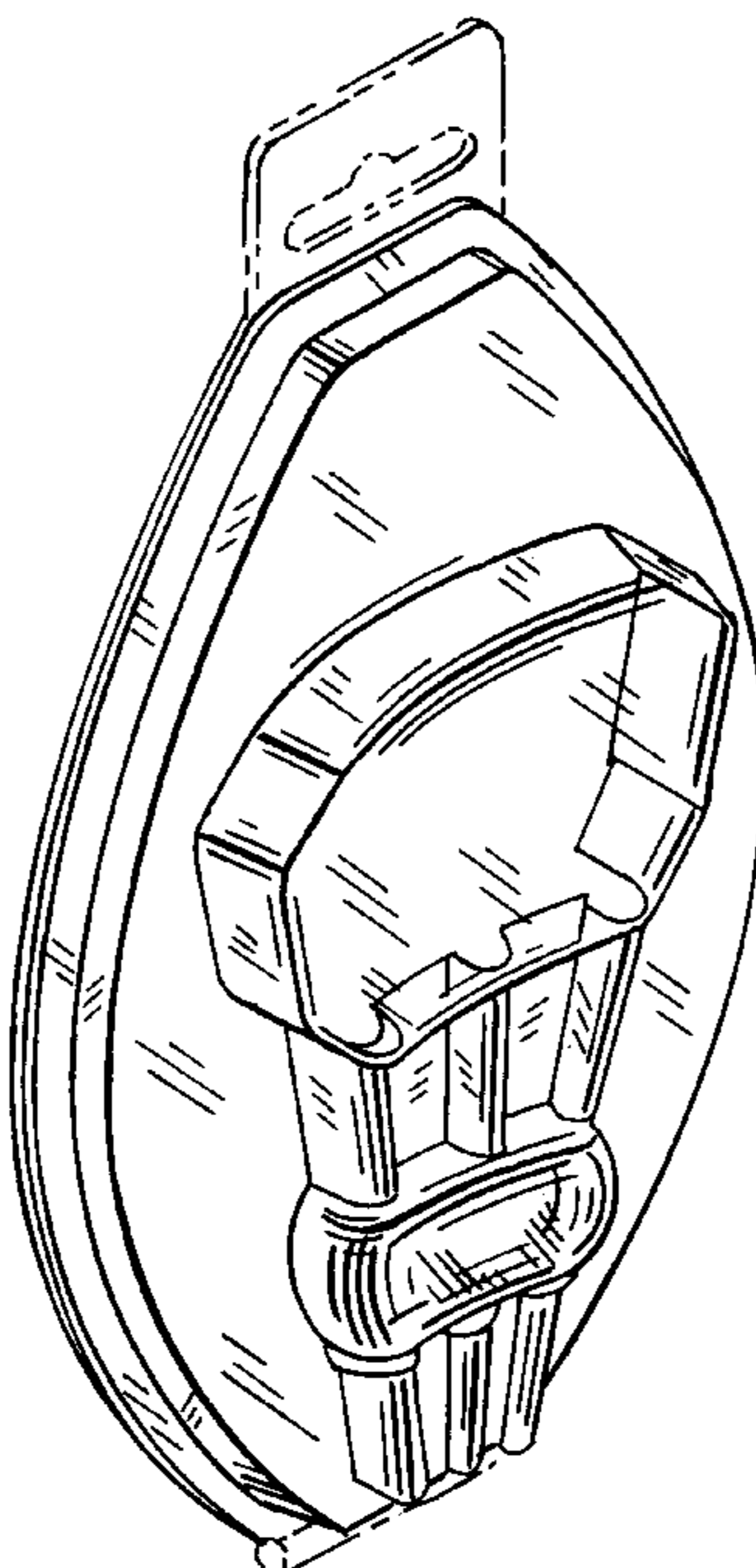
[57] CLAIM

The ornamental design of a dart package, as shown and described.

DESCRIPTION

FIG. 1 is perspective view of a dart package showing my new design;
FIG. 2 is a front elevational view thereof;
FIG. 3 is a right side elevational view thereof; the left side elevational view being a mirror image thereto;
FIG. 4 is a rear elevational view thereof;
FIG. 5 is a top plan view thereof; and,
FIG. 6 is a bottom plan view thereof.
The portions of the design shown in broken lines and darts in broken lines are for illustrative purpose only and forms no part of the claimed design.

1 Claim, 2 Drawing Sheets



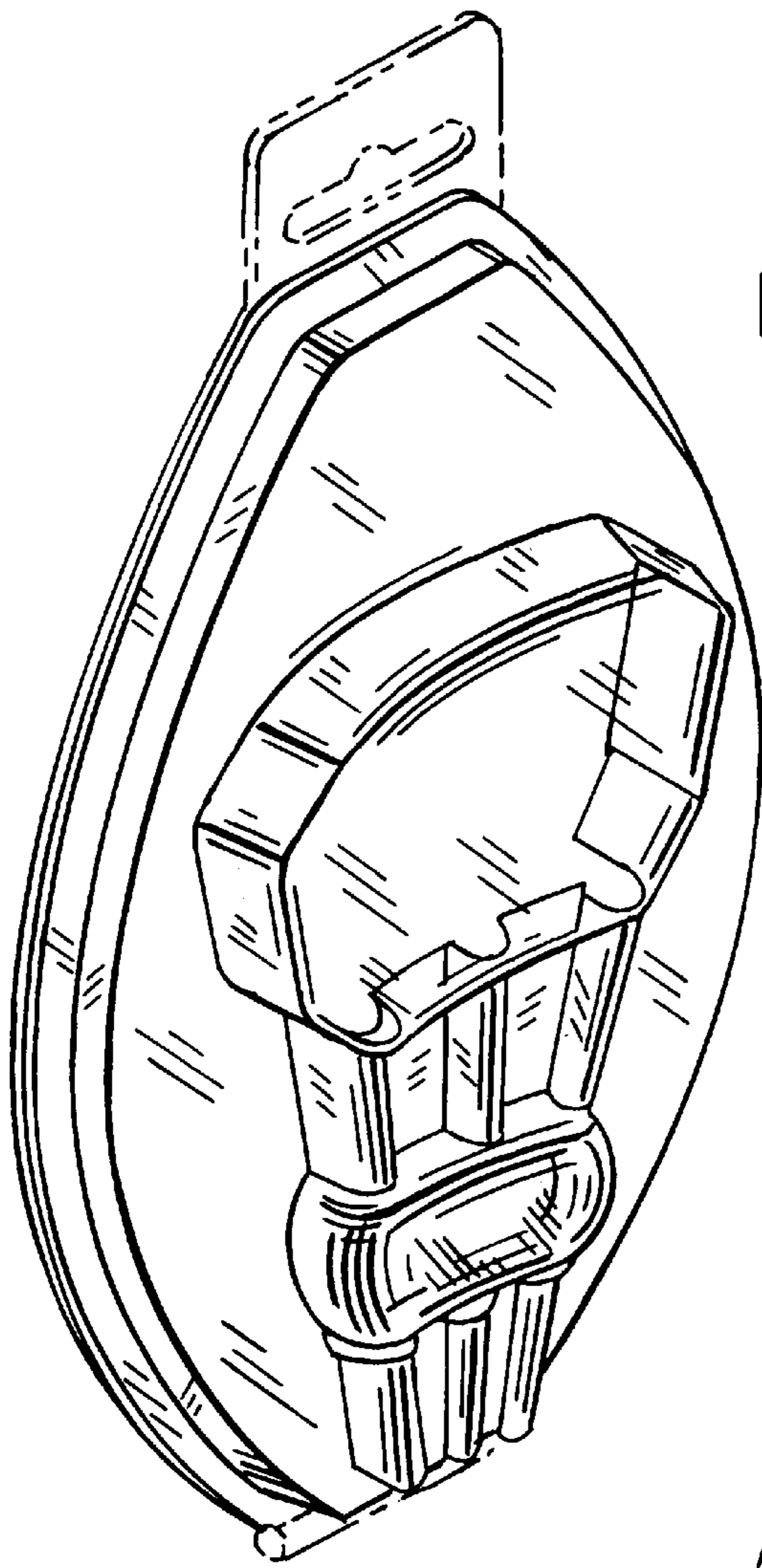


FIG. 1

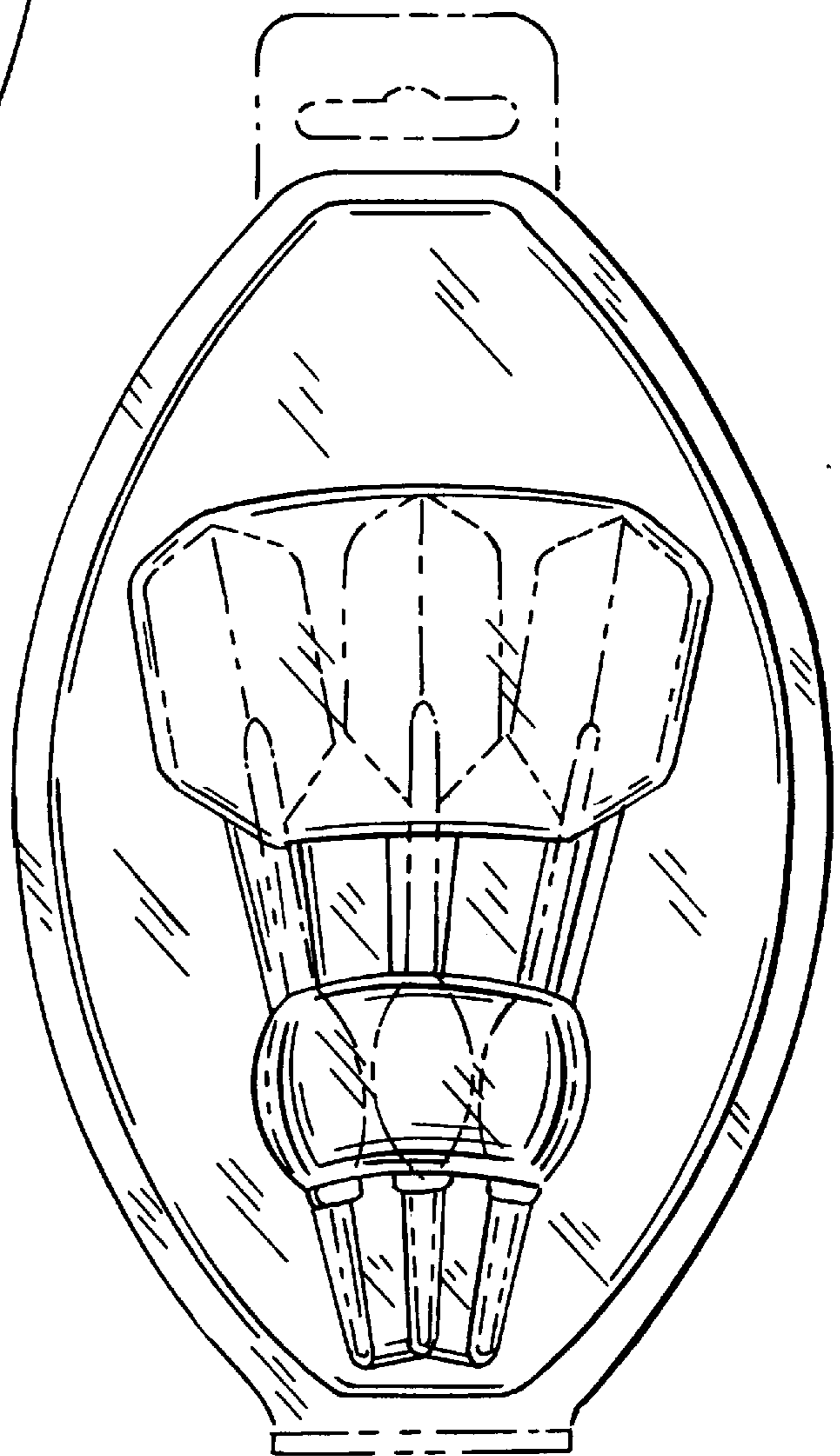


FIG. 2

FIG. 3

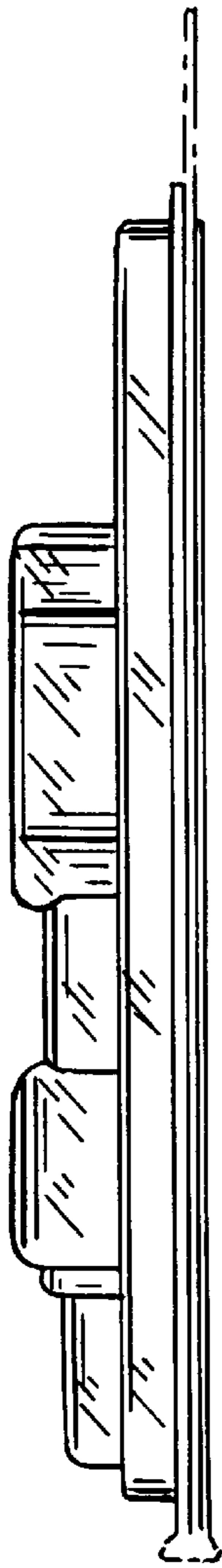


FIG. 4

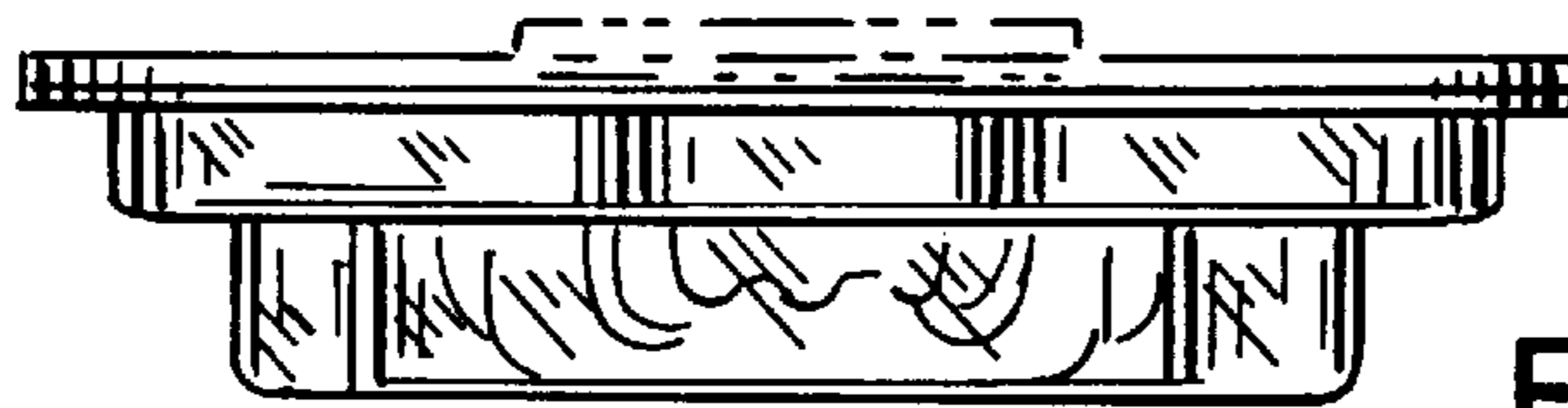
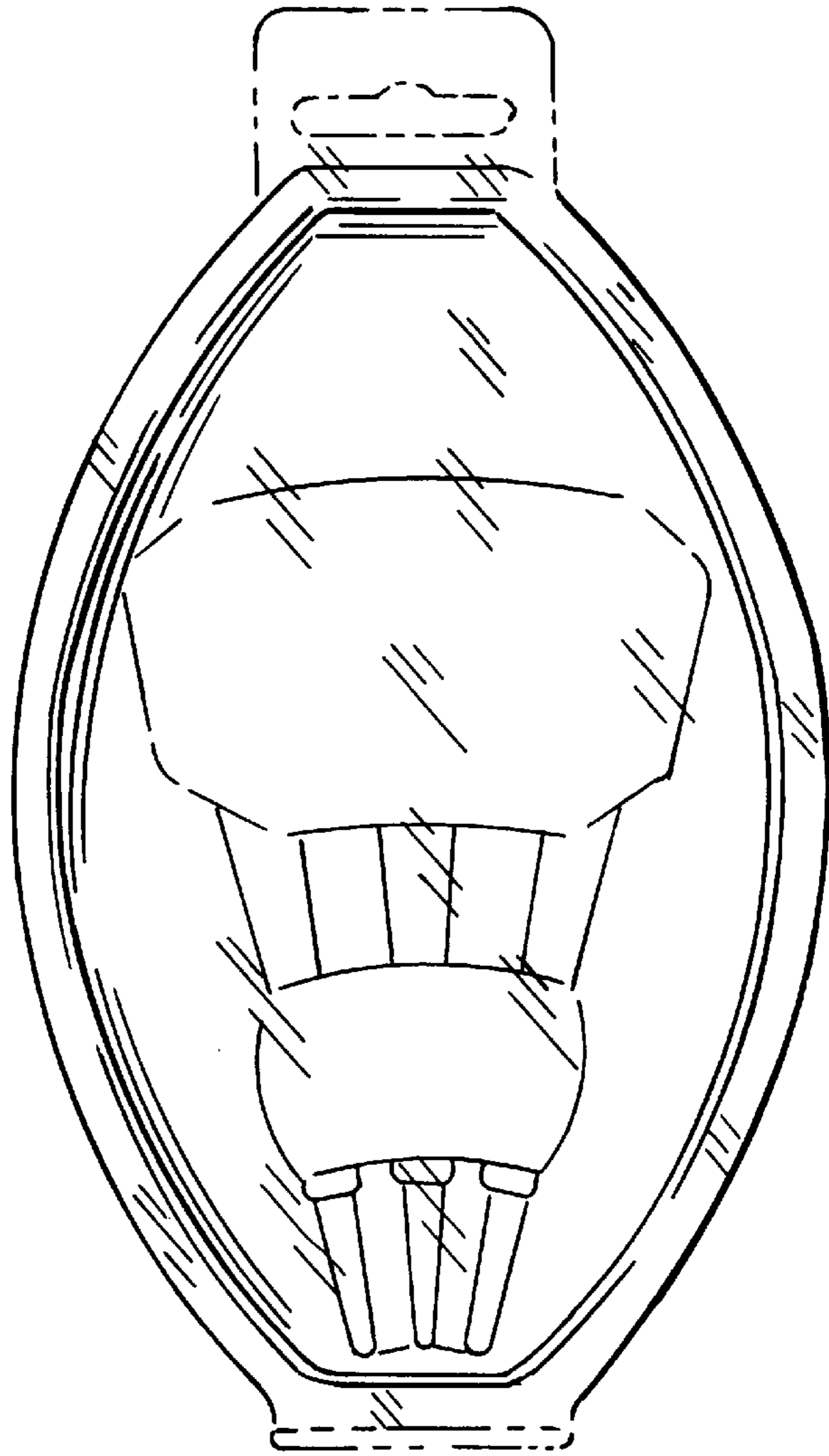


FIG. 5

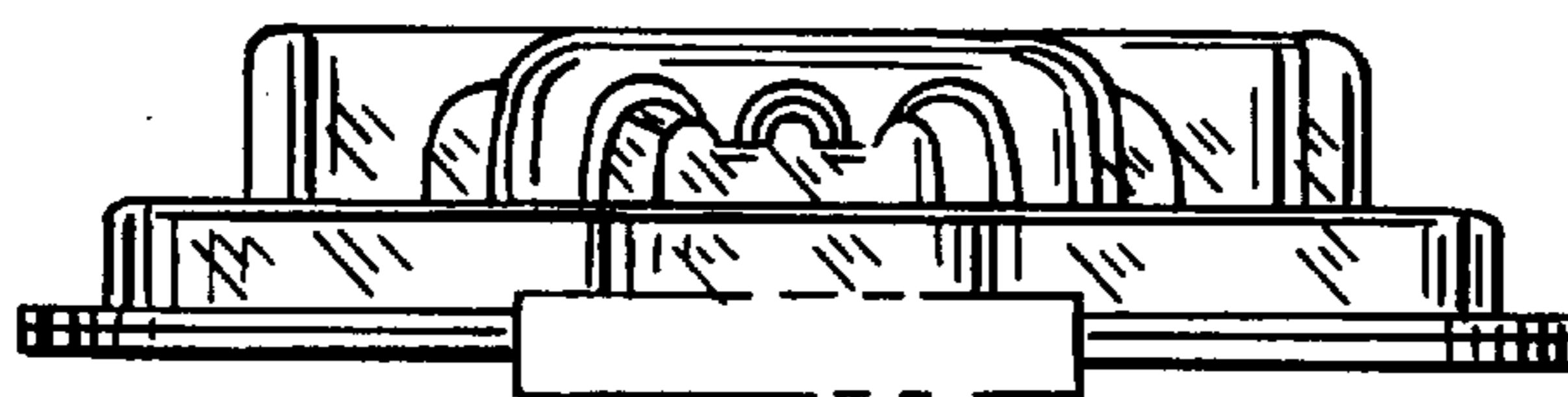


FIG. 6