



US00D411446S

United States Patent [19] Cautereels

[11] **Patent Number: Des. 411,446**

[45] **Date of Patent: ** Jun. 22, 1999**

[54] **STORAGE CONTAINER FOR EGGS**

[75] **Inventor: Victor J. J. Cautereels, Ranst, Belgium**

[73] **Assignee: Dart Industries Inc., Orlando, Fla.**

[**] **Term: 14 Years**

[21] **Appl. No.: 29/097,617**

[22] **Filed: Dec. 10, 1998**

[51] **LOC (6) Cl. 09-03**

[52] **U.S. Cl. D9/341; D9/424**

[58] **Field of Search** D3/201, 294; D9/341, D9/345, 347, 348, 420, 423, 424, 426, 428; D28/77, 83; 206/521, 521.1, 521.15, 521.7, 521.8, 528-540; 220/252, 253, 331, 334-337, 508, 675

[56] **References Cited**

U.S. PATENT DOCUMENTS

D. 159,157 6/1950 Koester D9/341
D. 287,336 12/1986 Roehrig D9/341

D. 341,778 11/1993 D'Amico et al. D9/424 X
D. 374,177 10/1996 Onneweer D9/341
D. 381,512 7/1997 Green D3/294
4,462,501 7/1984 Franchi 206/540 X

Primary Examiner—Nanda Bondade
Attorney, Agent, or Firm—Taylor J. Ross

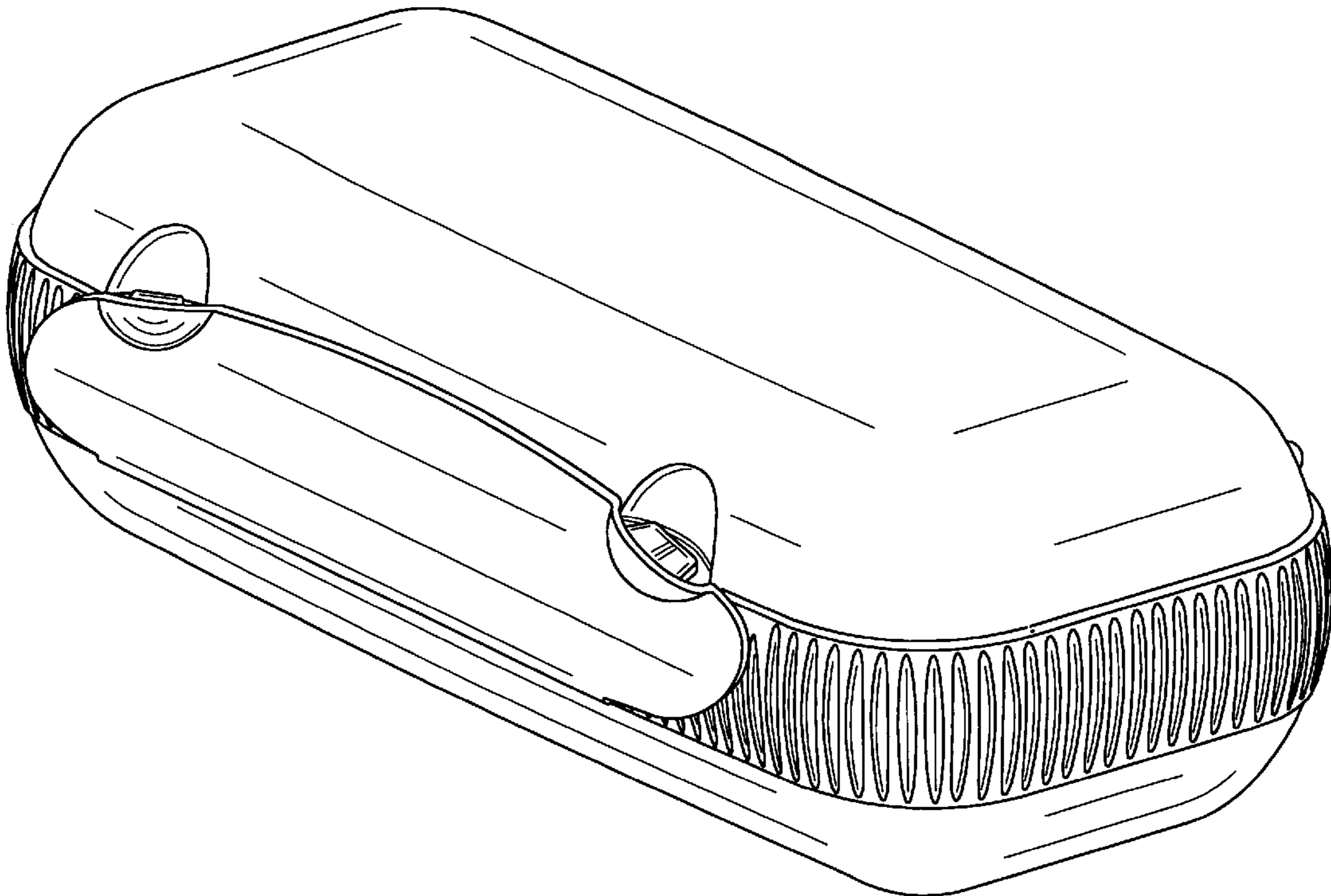
[57] CLAIM

The ornamental design for a storage container for eggs, as shown and described.

DESCRIPTION

FIG. 1 is a top, side and front perspective view of a storage container for eggs showing the new design; FIG. 2 is a top, side and rear perspective view thereof; FIG. 3 is a front elevation view thereof; FIG. 4 is a rear elevation view thereof; FIG. 5 is a top plan view thereof; FIG. 6 is a bottom plan view thereof; FIG. 7 is a right side elevation view thereof; and, FIG. 8 is a left side elevation view thereof.

1 Claim, 4 Drawing Sheets



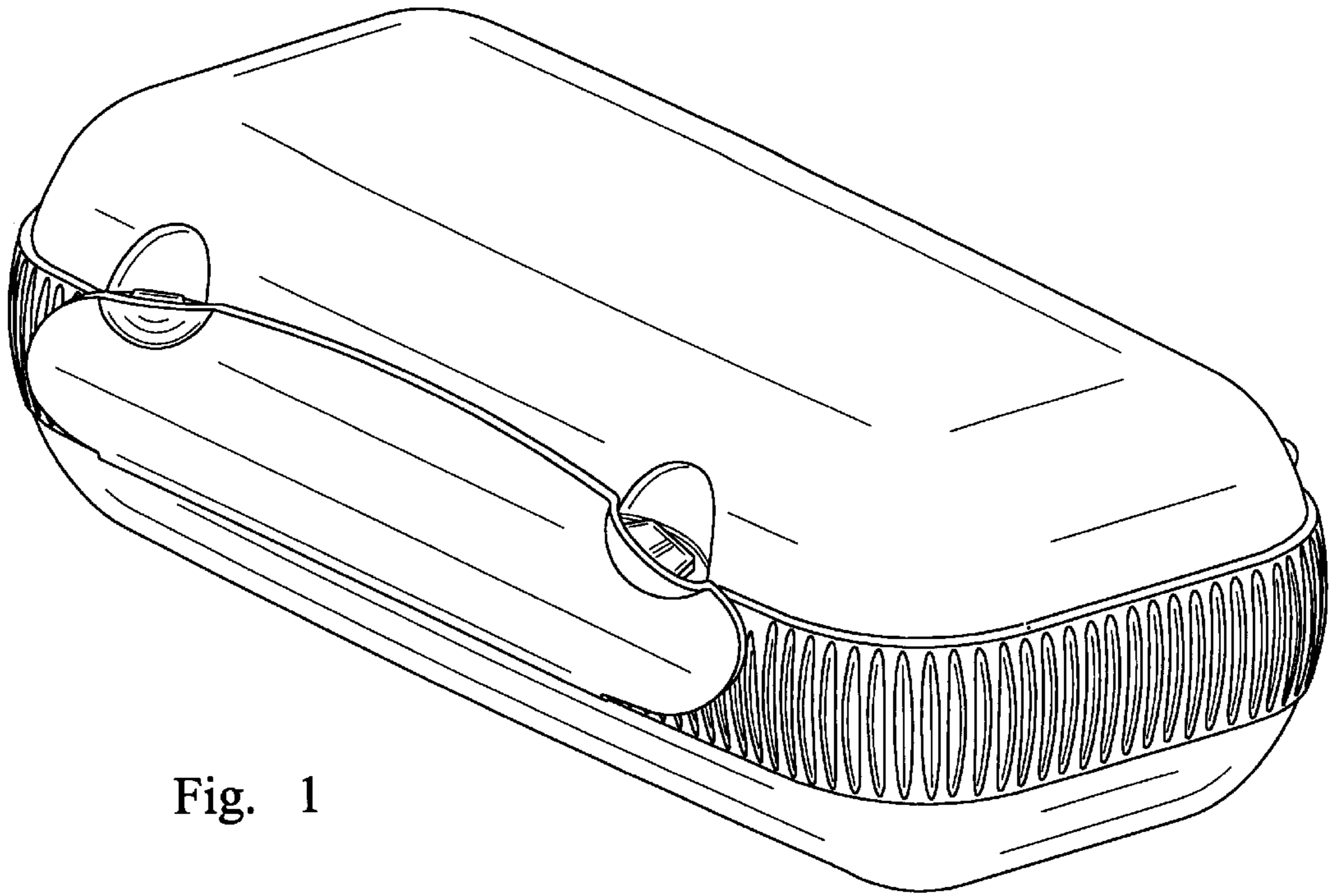


Fig. 1

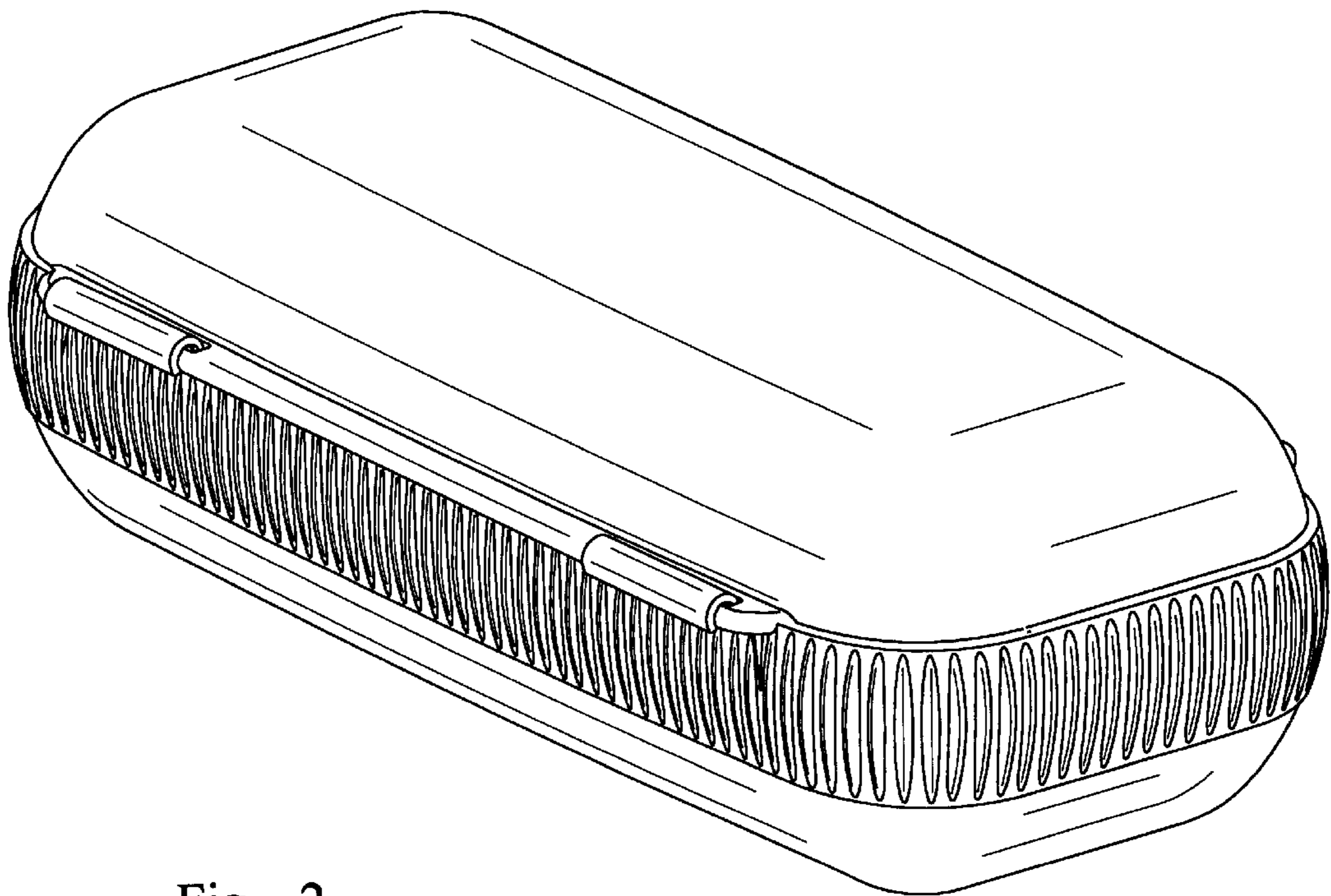


Fig. 2

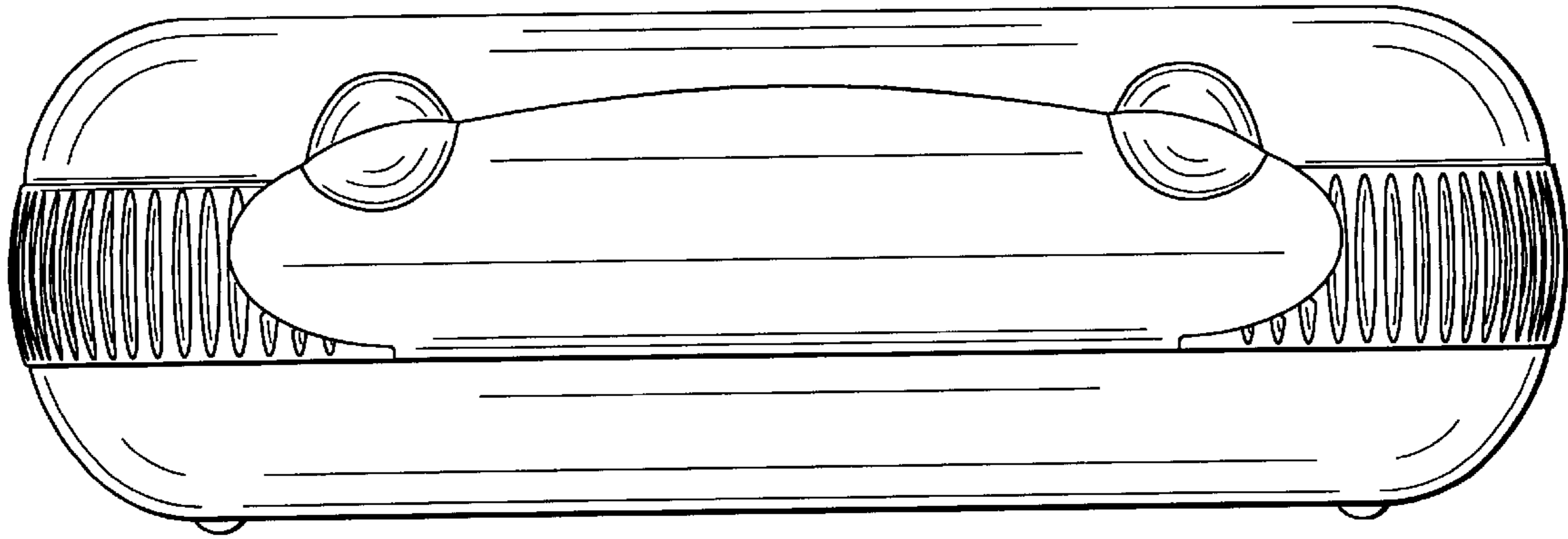


Fig. 3

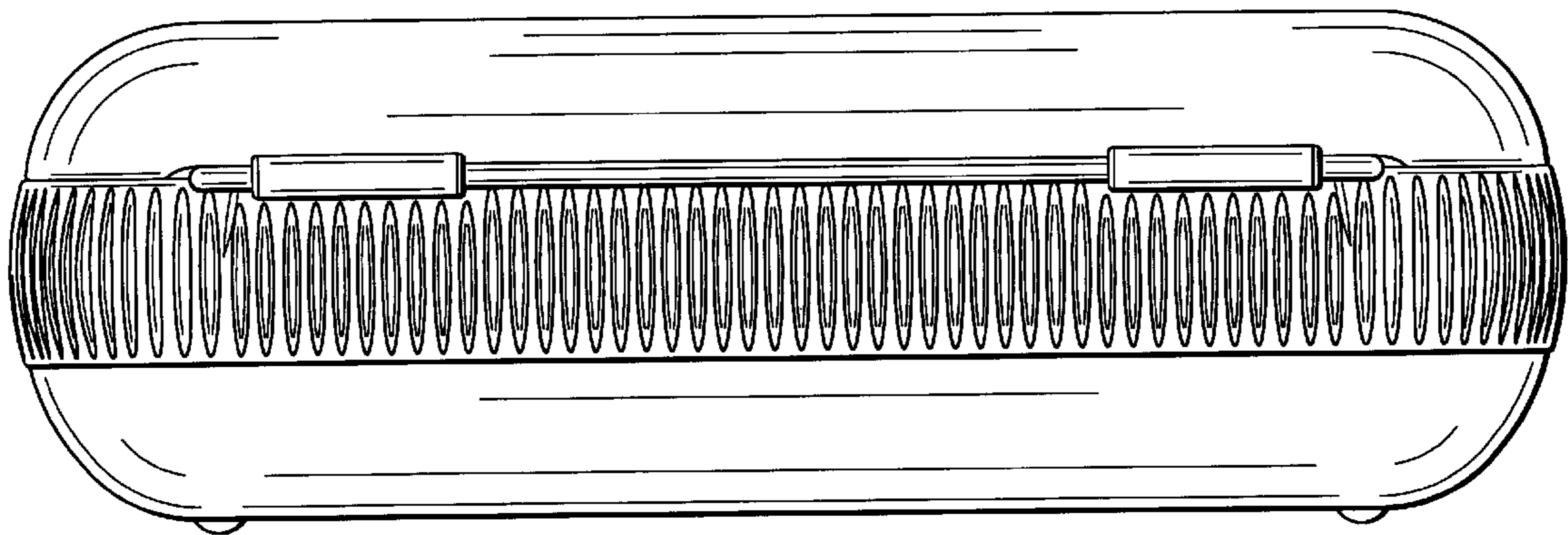


Fig. 4

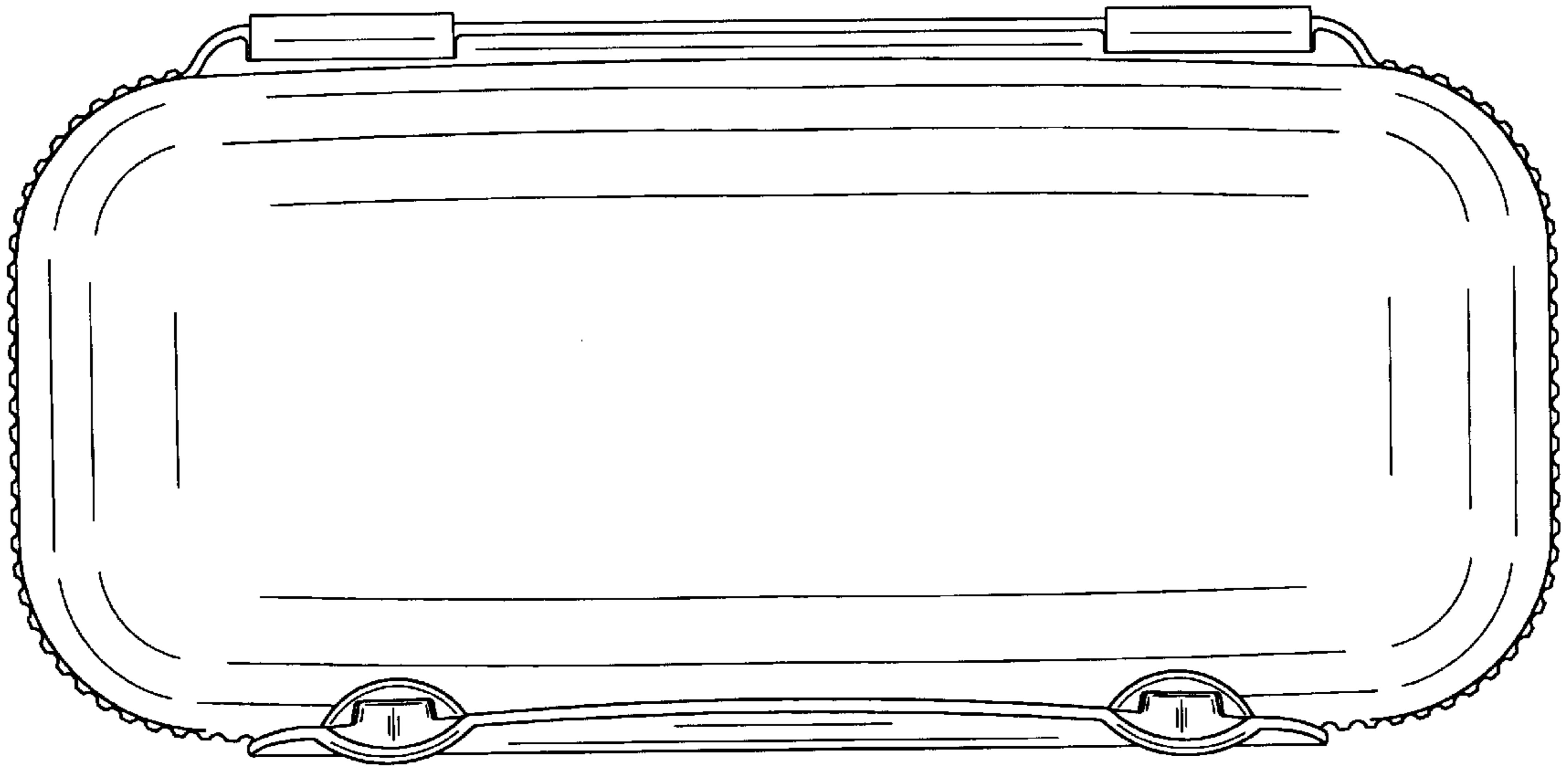


Fig. 5

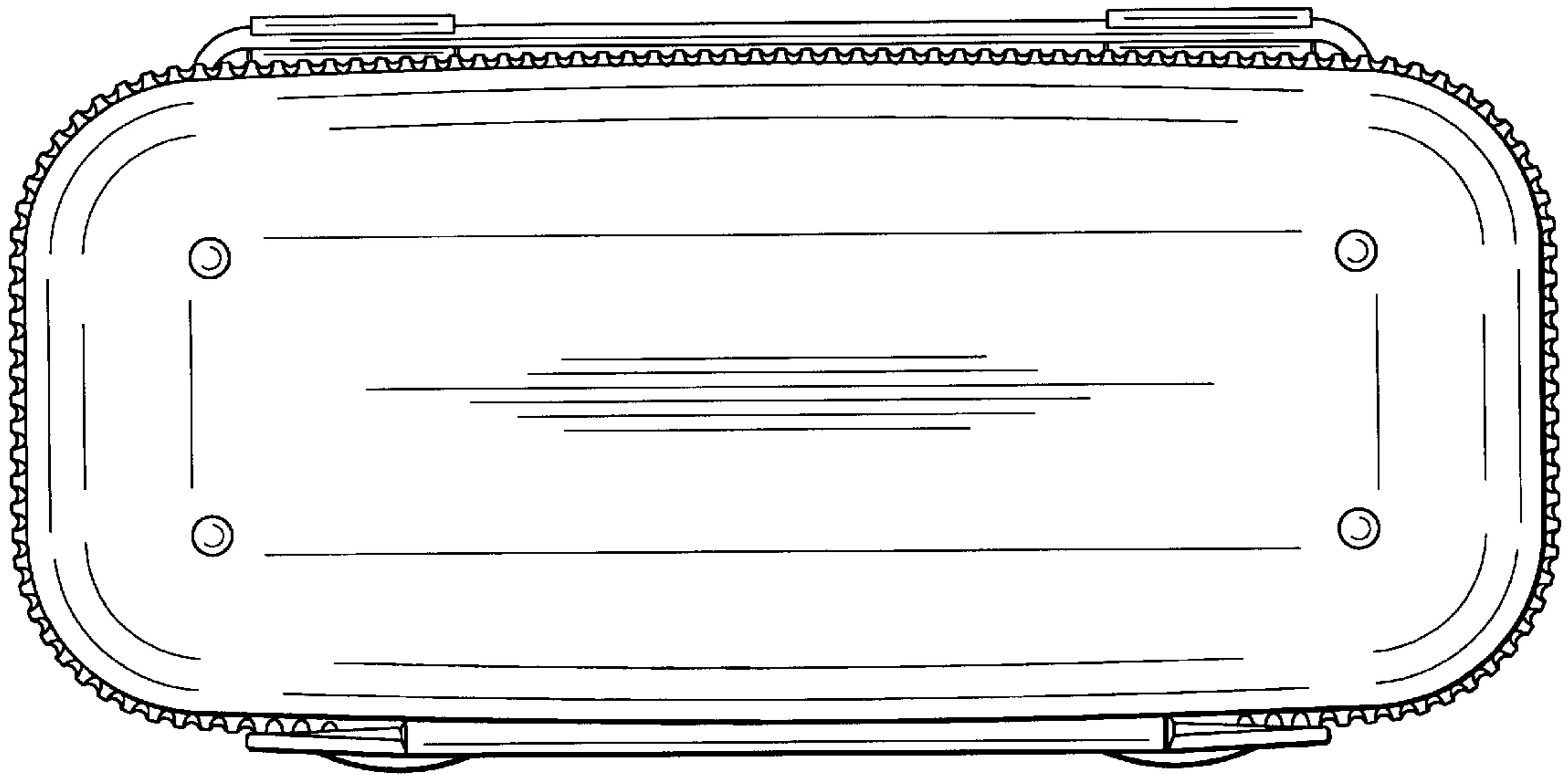


Fig. 6

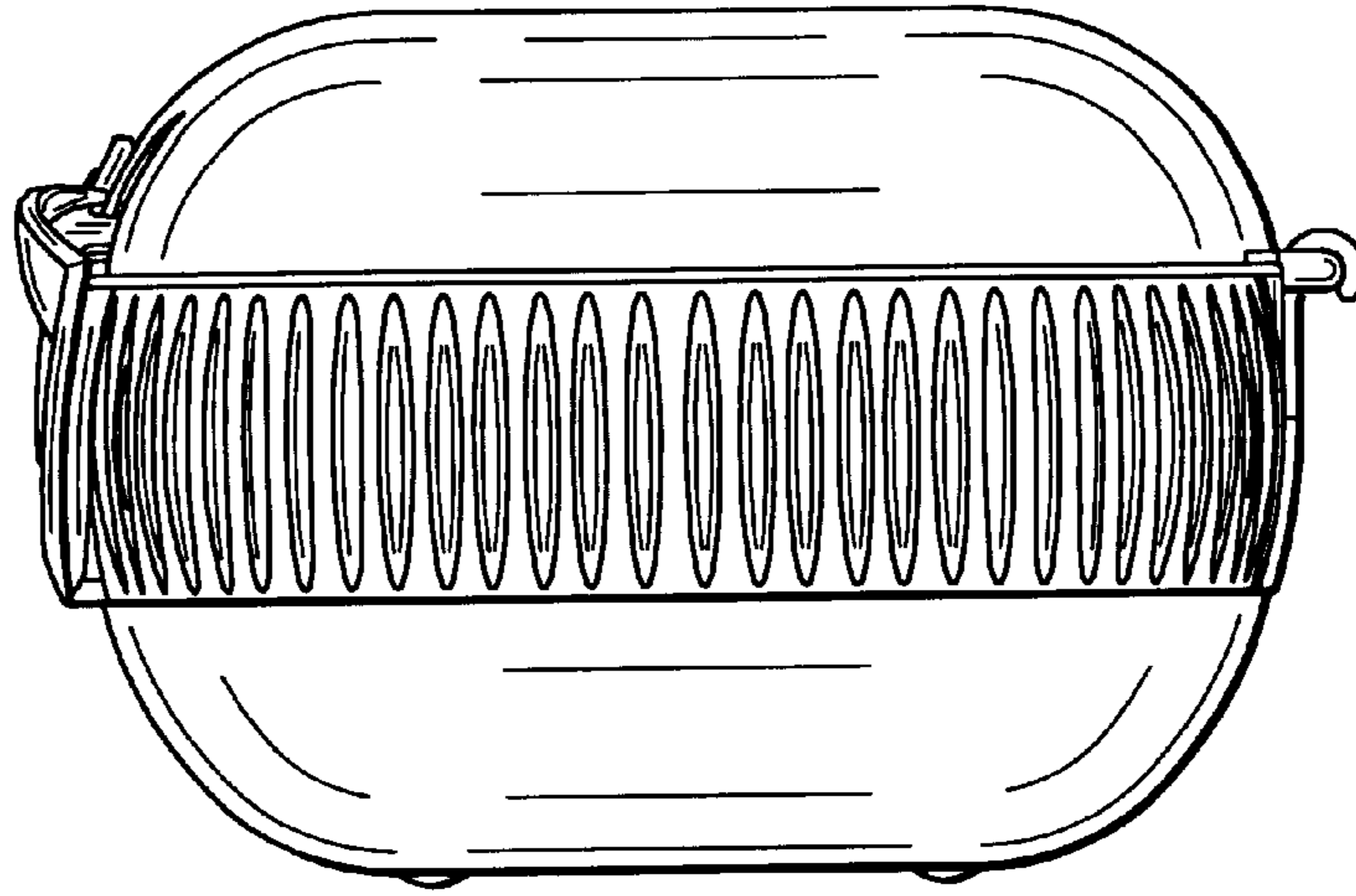


Fig. 7

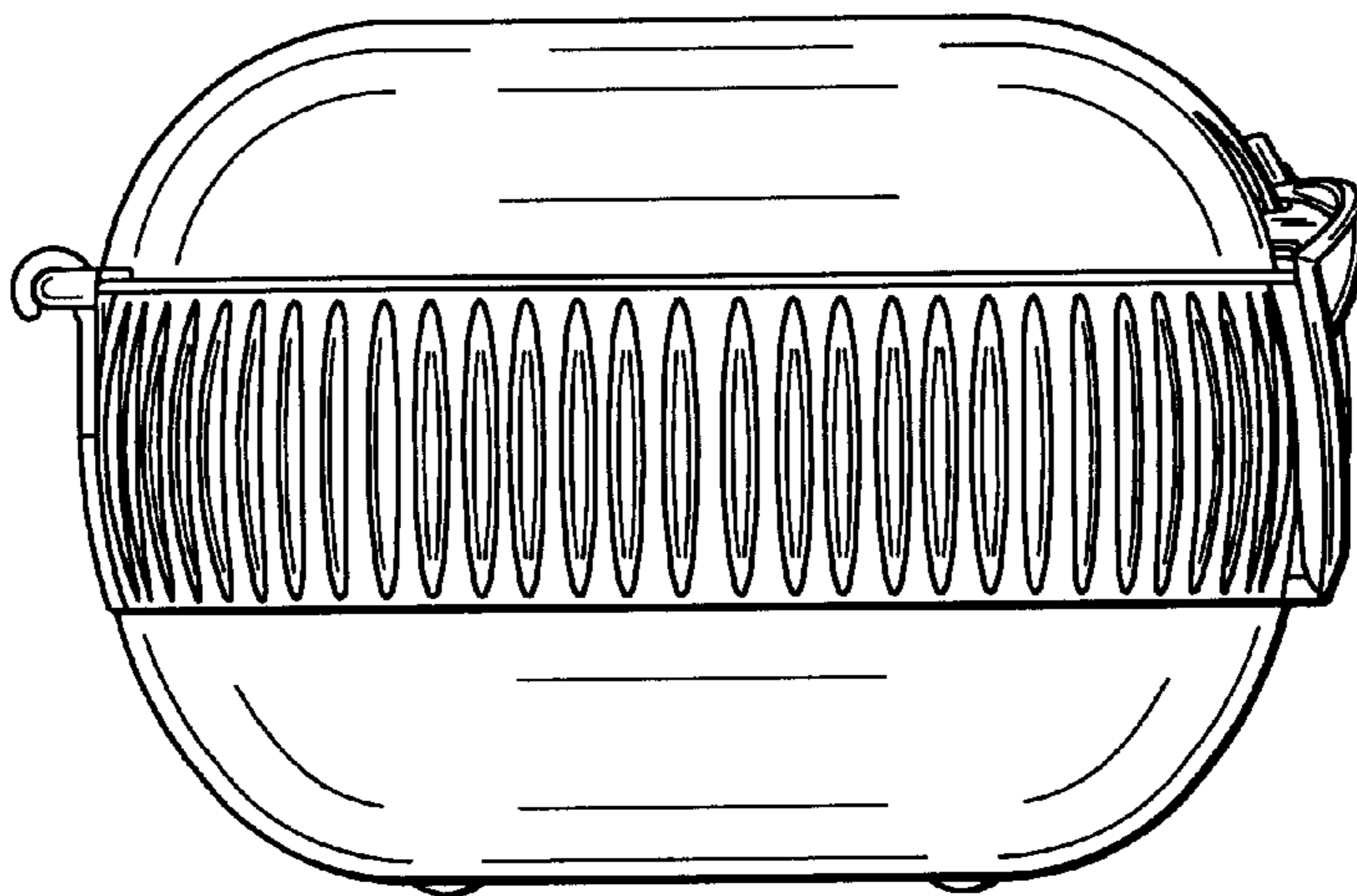


Fig. 8