



US00D411445S

United States Patent [19] Anderson

[11] Patent Number: Des. 411,445
[45] Date of Patent: ** *Jun. 22, 1999

[54] **HOLDER FOR BLISTER PACKS**

[75] Inventor: **Gregor J.M. Anderson**, Ware, United Kingdom

[73] Assignee: **Glaxo Group Limited**, United Kingdom

[*] Notice: This patent is subject to a terminal disclaimer.

[**] Term: **14 Years**

[21] Appl. No.: **29/081,517**

[22] Filed: **Dec. 30, 1997**

[30] **Foreign Application Priority Data**
 Jun. 30, 1997 [GB] United Kingdom 2067023

[51] **LOC (6) Cl.** **09-03**

[52] **U.S. Cl.** **D9/341**

[58] **Field of Search** D9/341, 345, 347, D9/348, 415, 418, 419, 424; 206/461-471, 526, 528, 531, 532, 534, 538, 539, 820

0 703 157 A1 3/1996 European Pat. Off. .
 3838144 11/1968 Germany .
 3428295 10/1985 Germany .
 3832049 A1 3/1990 Germany .
 3832084A1 3/1990 Germany .
 3840080 5/1990 Germany .
 4101265A1 7/1992 Germany .
 4429503A1 2/1996 Germany .
 1026808 of 0000 United Kingdom .
 1032400 of 0000 United Kingdom .
 2 020 725 11/1979 United Kingdom .
 2040693 7/1994 United Kingdom .
 2052889 6/1995 United Kingdom .
 WO 84/01556 4/1984 WIPO .
 WO 91/09637 7/1991 WIPO .
 WO 94/27555 12/1994 WIPO .
 WO 95/23101 8/1995 WIPO .
 WO
 9603329A1 2/1996 WIPO .
 WO 96/07601 3/1996 WIPO .
 WO 97/02192 1/1997 WIPO .

[56] **References Cited**

U.S. PATENT DOCUMENTS

D. 262,190 12/1981 Stanton .
 D. 293,887 1/1988 Webster D9/341
 D. 306,825 3/1990 Slegel .
 D. 358,762 5/1995 Walchek, Jr. et al. D9/346
 3,584,598 6/1971 Gayle et al. D9/314 X
 3,809,221 5/1974 Compere .
 3,872,970 3/1975 Edison .
 3,905,479 9/1975 Gerner et al. .
 3,921,804 11/1975 Tester 206/531

(List continued on next page.)

FOREIGN PATENT DOCUMENTS

9528437 8/1994 Australia .
 2001-949-A 11/1989 Canada .
 0 210 820 2/1987 European Pat. Off. .
 0 304 340 2/1989 European Pat. Off. .
 0 542 324 A1 5/1993 European Pat. Off. .
 0 547 426 A1 6/1993 European Pat. Off. .
 0 634 342 A2 1/1995 European Pat. Off. .

Primary Examiner—Ted Shooman
Assistant Examiner—Nanda Bondade
Attorney, Agent, or Firm—Nixon & Vanderhye

[57] CLAIM

The ornamental design for a “holder for blister packs”, as shown and described.

DESCRIPTION

FIG. 1 is an exploded perspective view of a holder for blister packs shown without the parts of the holder for the blister packs for clarity of illustration, illustrated in a partially open position in accordance with my design.

FIG. 2 is a bottom perspective view illustrating the parts of the holder for the blister packs in an open position, shown without the cap for clarity of illustration;

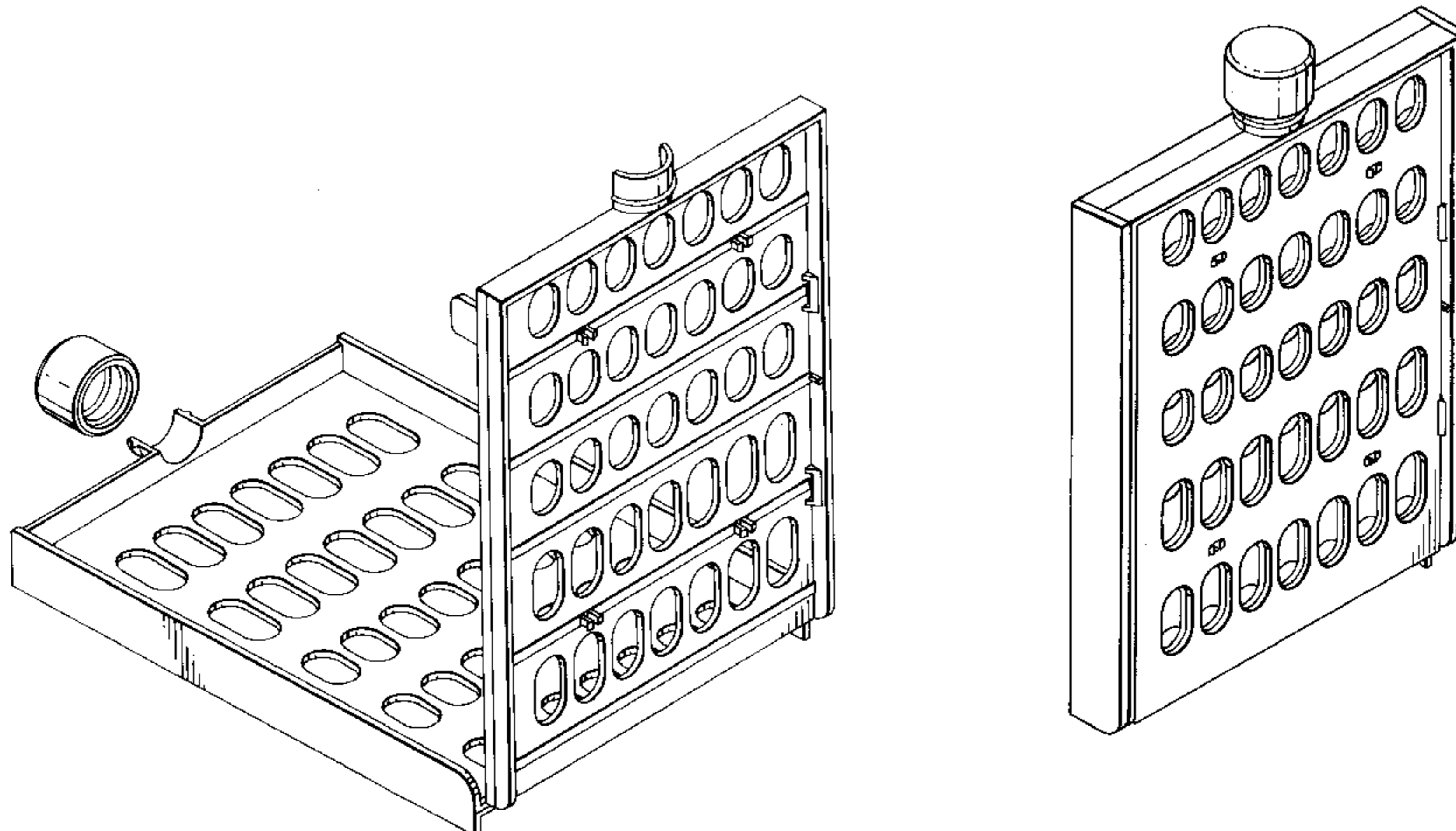
FIG. 3 is a top plan view of FIG. 2, with the parts of the holder for the blister packs separated from in another;

FIG. 4 is a bottom plan view thereof;

FIG. 5 is a cross-sectional view taken generally about the line 5—5 in IFG. 3; and,

FIG. 6 is a perspective view of the holder for blister packs, fully assembled and in a closed position.

1 Claim, 6 Drawing Sheets



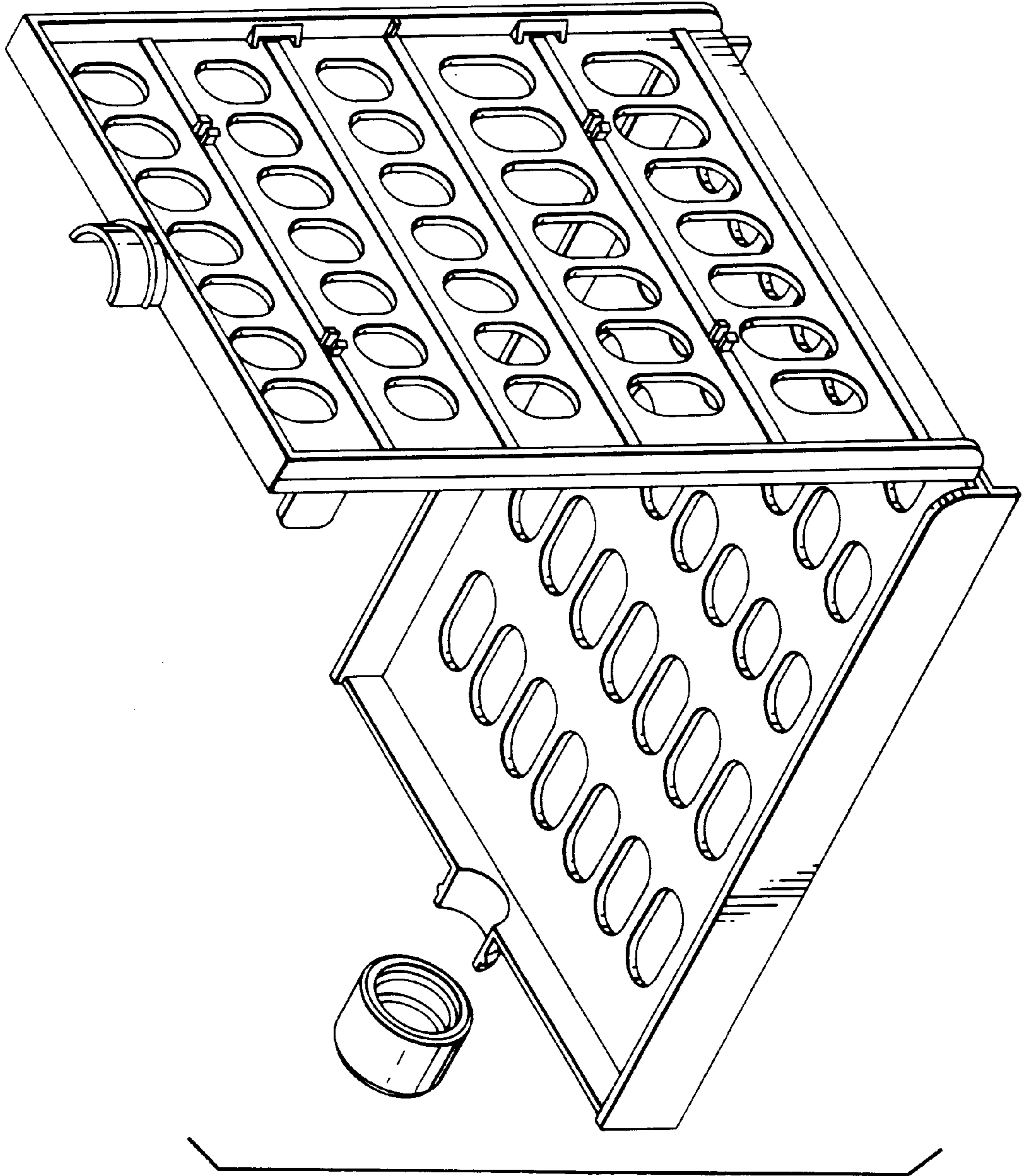
Des. 411,445

Page 2

U.S. PATENT DOCUMENTS

4,125,190	11/1978	Davie, Jr. et al. .	5,076,461	12/1991	Nichols .
4,196,809	4/1980	Tonrey .	5,088,603	2/1992	Kirkpatrick .
4,231,477	11/1980	De Felice .	5,109,984	5/1992	Romick 206/531
4,243,144	1/1981	Margulies .	5,129,527	7/1992	Lataix .
4,280,621	7/1981	Tonrey .	5,150,793	9/1992	Tannenbaum .
4,485,915	12/1984	Berghahn .	5,172,812	12/1992	Wharton et al. .
4,506,789	3/1985	Dlugosz .	5,310,060	5/1994	Bitner .
4,537,312	8/1985	Intini .	5,323,907	6/1994	Kalvelage 206/531
4,594,865	6/1986	Parcell .	5,339,960	8/1994	Price .
4,615,054	10/1986	Buecheler et al. .	5,346,069	9/1994	Intini .
4,889,236	12/1989	Bartell et al. .	5,437,371	8/1995	Lataix .
4,958,736	9/1990	Urheim .	5,464,118	11/1995	Grau et al. .
4,988,004	1/1991	Intini .	5,469,968	11/1995	Matthews et al. .
5,035,635	7/1991	Tsai et al. .	5,511,665	4/1996	Dressel .
5,046,618	9/1991	Wood .	5,529,188	6/1996	Coggsell .
			5,575,399	11/1996	Intini .

FIG. 1.



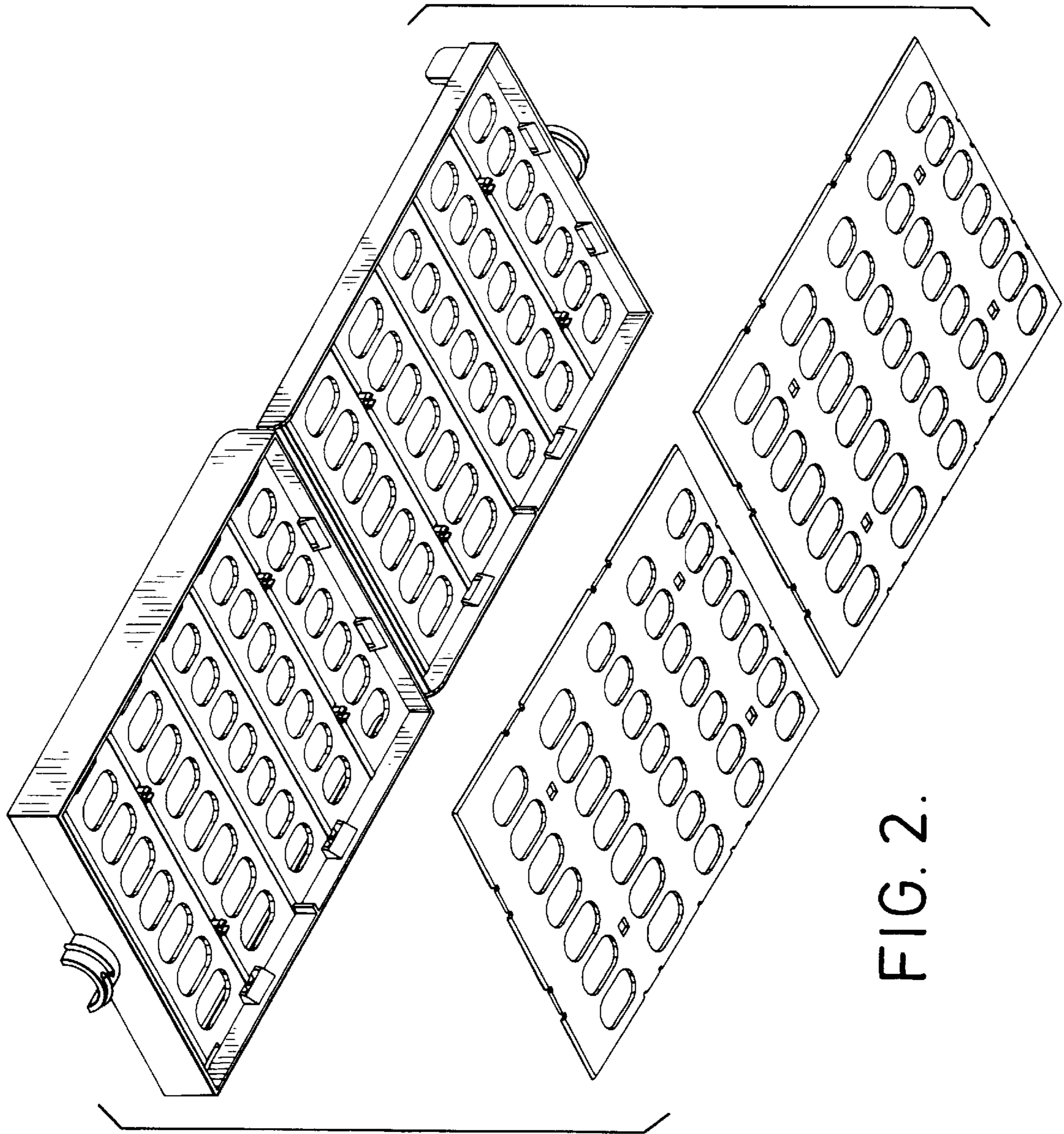
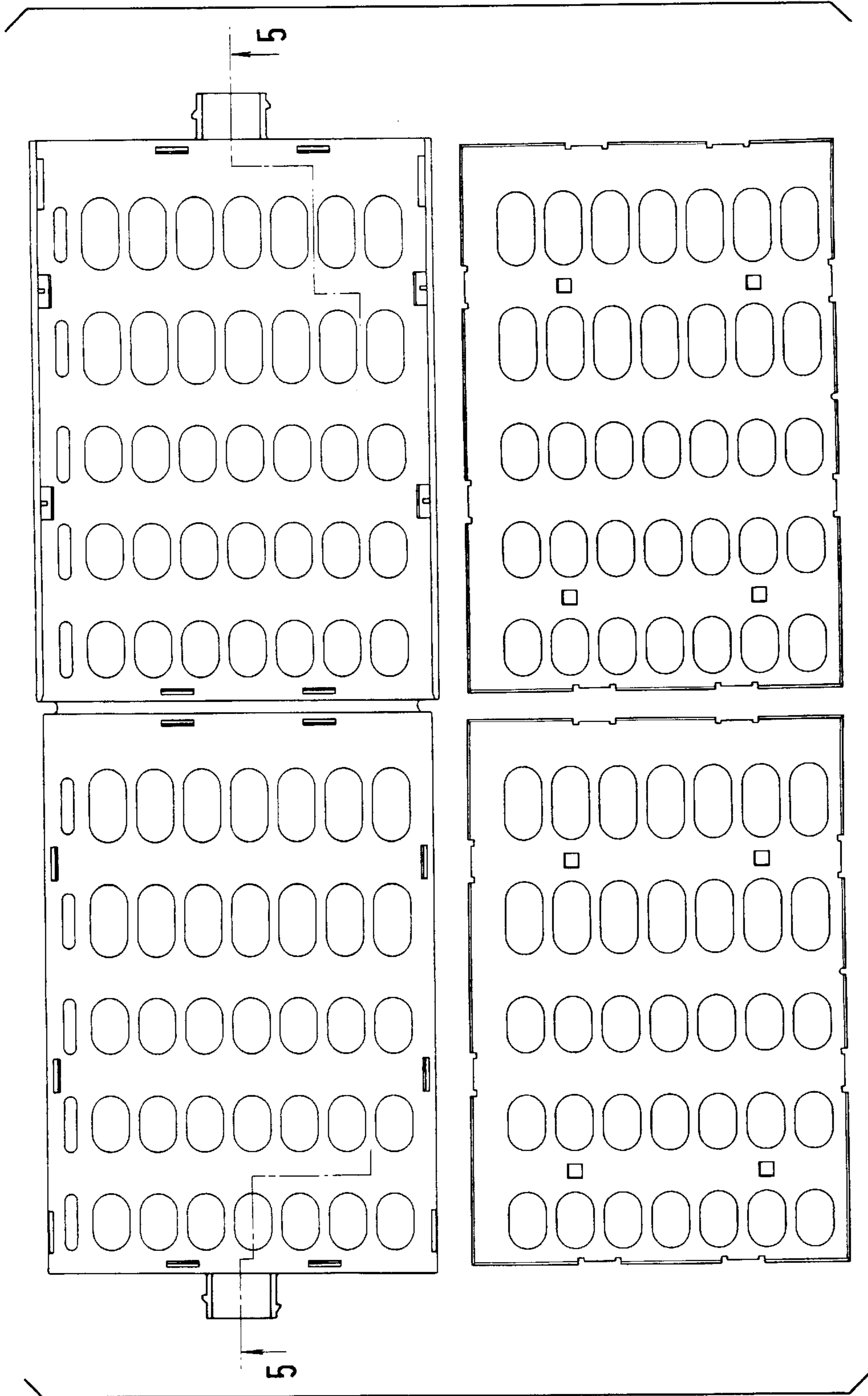


FIG. 2.

FIG. 3.



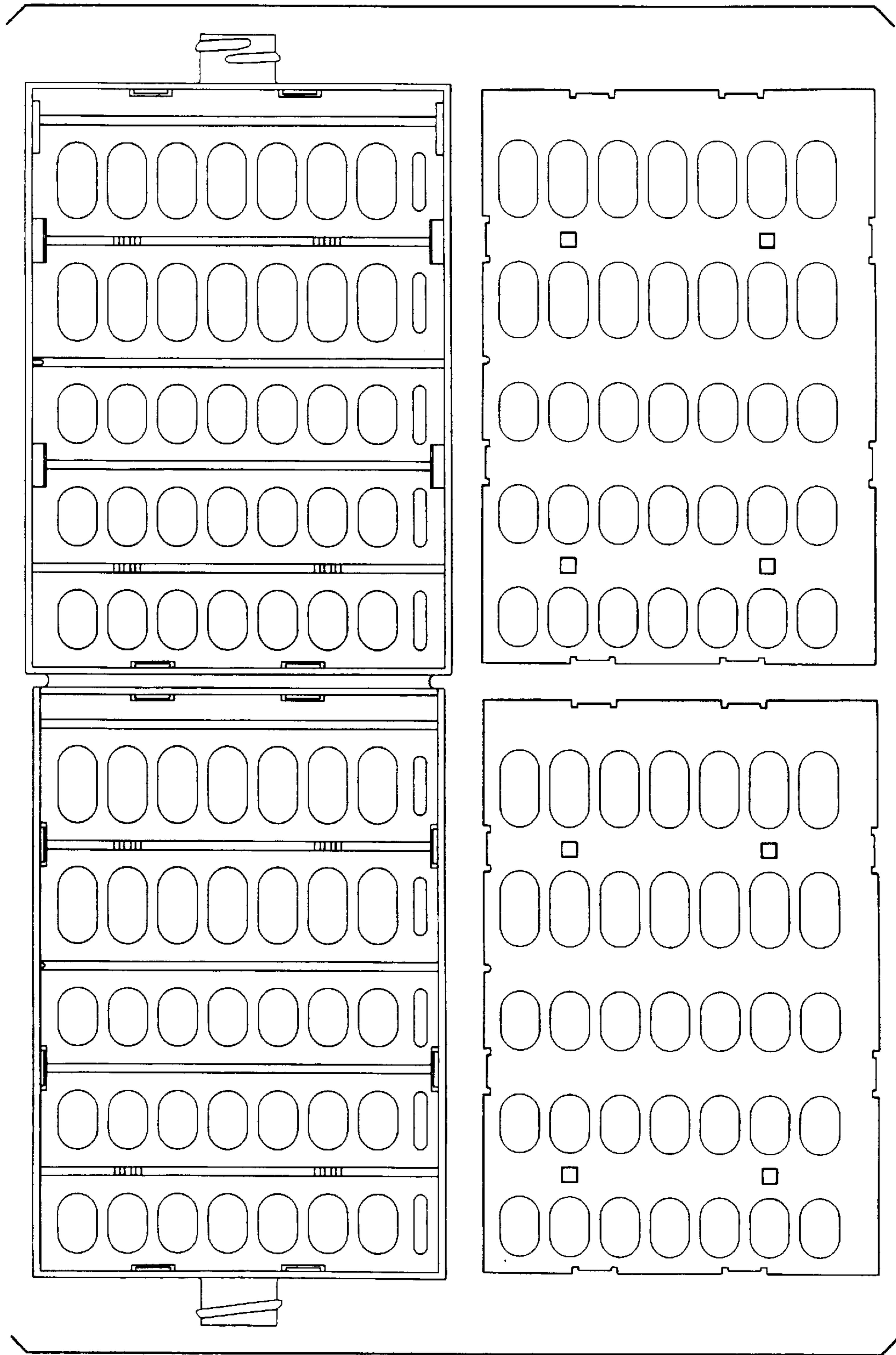
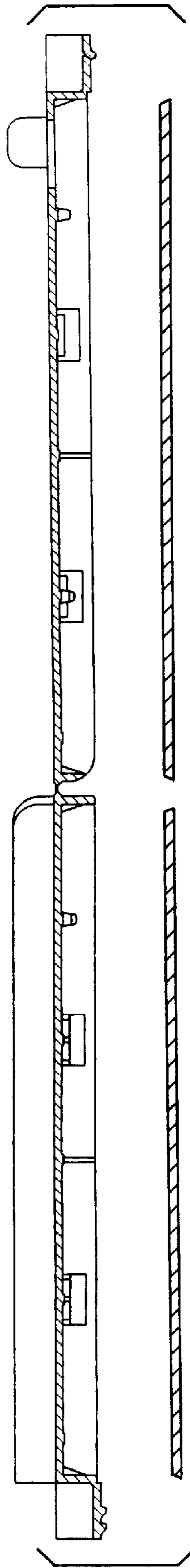


FIG. 4.

FIG. 5.



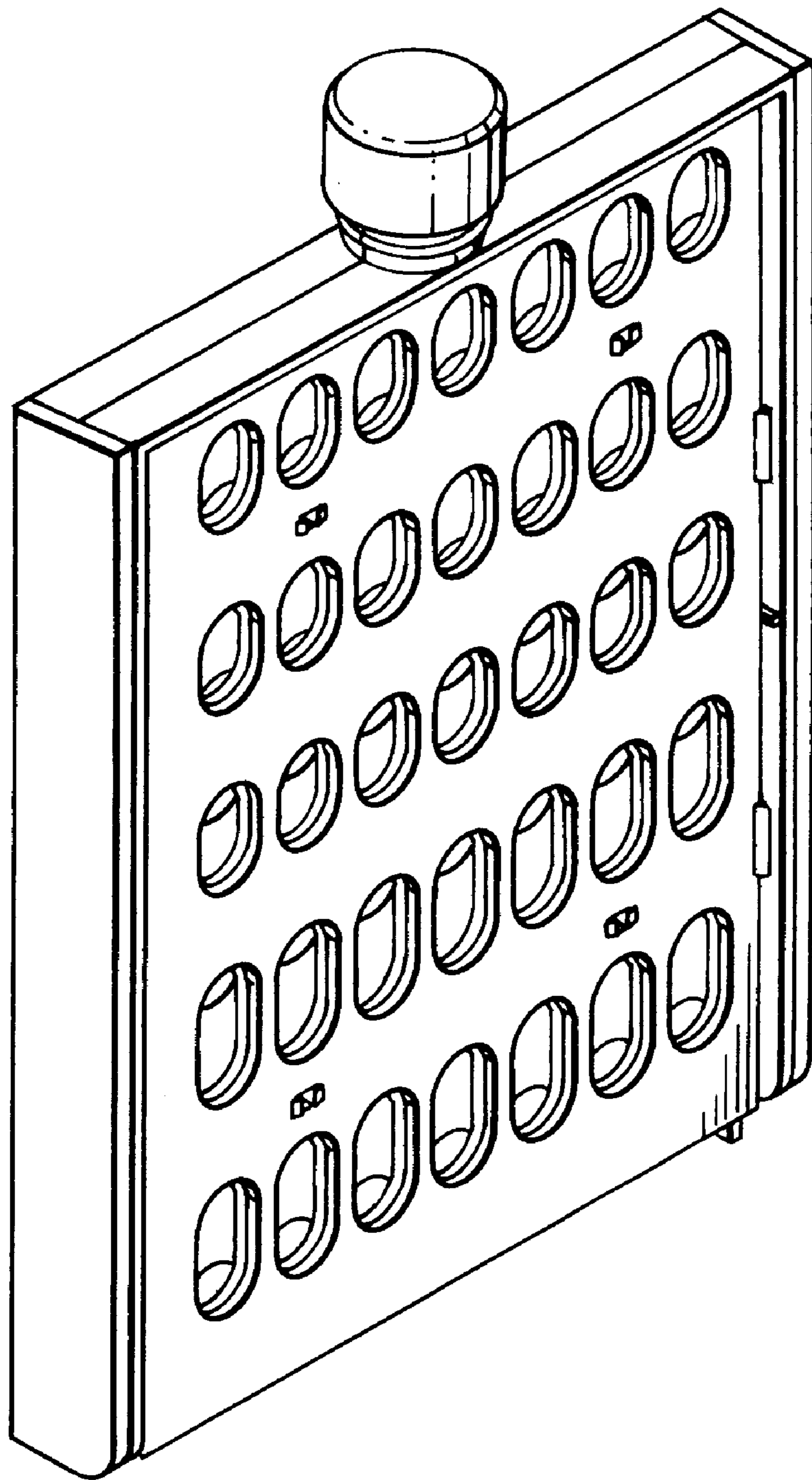


FIG. 6