



US00D411444S

**United States Patent** [19]  
**Dauphin**

[11] **Patent Number: Des. 411,444**

[45] **Date of Patent: \*\* Jun. 22, 1999**

[54] **PRODUCE TRAY**

[75] Inventor: **Michel Dauphin**, Agincourt, Canada

[73] Assignee: **Plastic Supplies Manufacturing**,  
Concord, Canada

[\*\*] Term: **14 Years**

[21] Appl. No.: **29/080,657**

[22] Filed: **Aug. 20, 1997**

D. 270,225	8/1983	Chiulli .....	D9/341
D. 352,454	11/1994	Drupa .....	D9/341
2,985,333	5/1961	Kirkman .....	D9/347 X
4,905,836	3/1990	Lindgren et al. ....	206/557
5,085,879	2/1992	Elbaz .....	206/557 X
5,393,539	2/1995	ReskowX .....	206/557 X

*Primary Examiner*—Ted Shooman  
*Assistant Examiner*—Nanda Bondade  
*Attorney, Agent, or Firm*—Fitzpatrick, Cella, Harper & Scinto

**Related U.S. Application Data**

[62] Division of application No. 29/052,326, Apr. 2, 1996, Pat. No. Des. 390,106.

**Foreign Application Priority Data**

Nov. 10, 1995 [CA] Canada ..... 1995-2532

[51] **LOC (6) Cl.** ..... **09-03**

[52] **U.S. Cl.** ..... **D9/341**

[58] **Field of Search** ..... D9/341, 345, 347,  
D9/348, 432; 206/557, 558, 561, 564

[56] **References Cited**

**U.S. PATENT DOCUMENTS**

D. 218,514 8/1970 Fossella et al. .... D9/347

[57] **CLAIM**

The ornamental design for a produce tray, as shown and described.

**DESCRIPTION**

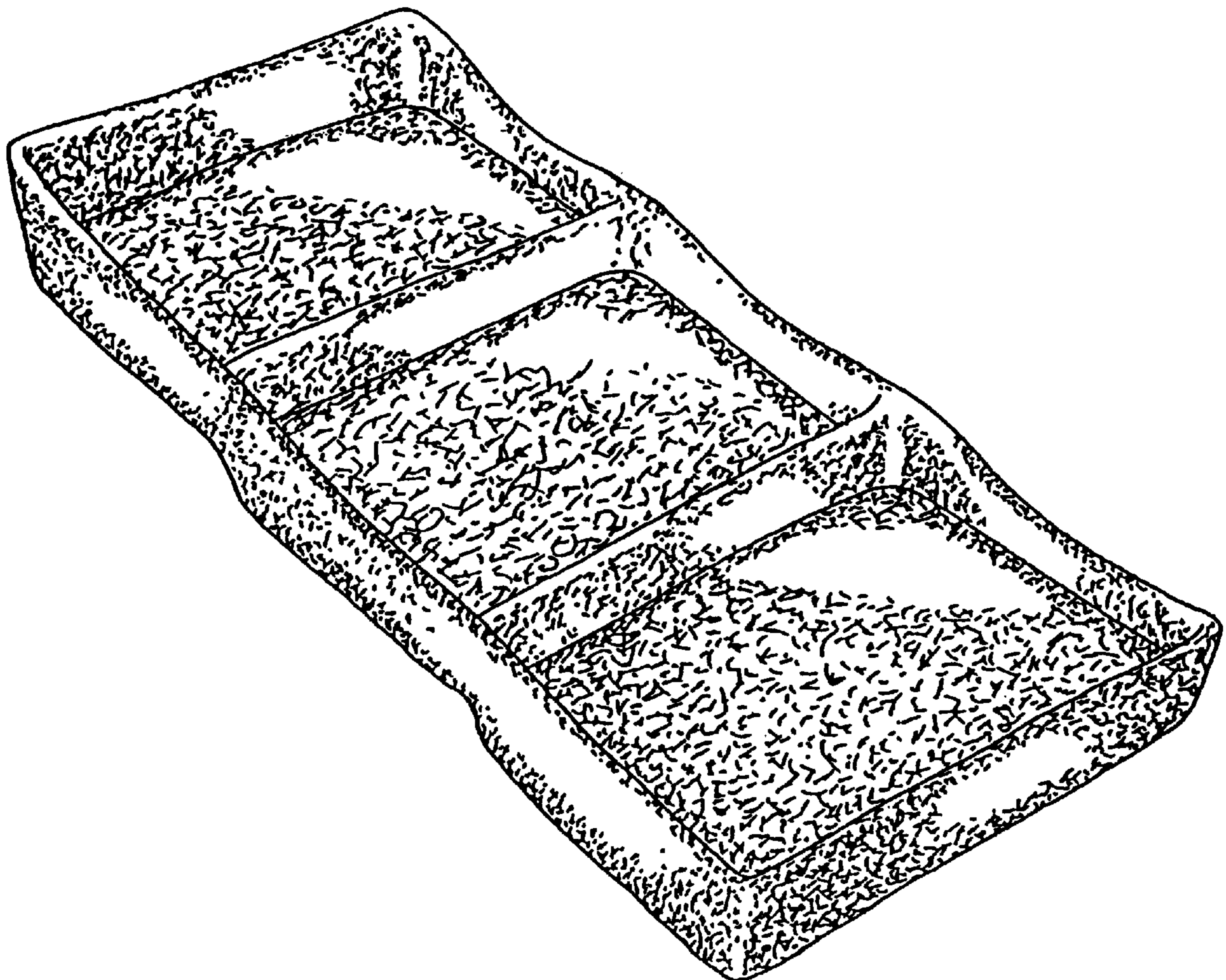
FIG. 1 is a top, left and front perspective view of a produce tray showing my new design;

FIG. 2 is a bottom, right and rear perspective view thereof;

FIG. 3 is a right side elevational view thereof, the left side view being a mirror image; and,

FIG. 4 is a top view thereof.

**1 Claim, 2 Drawing Sheets**





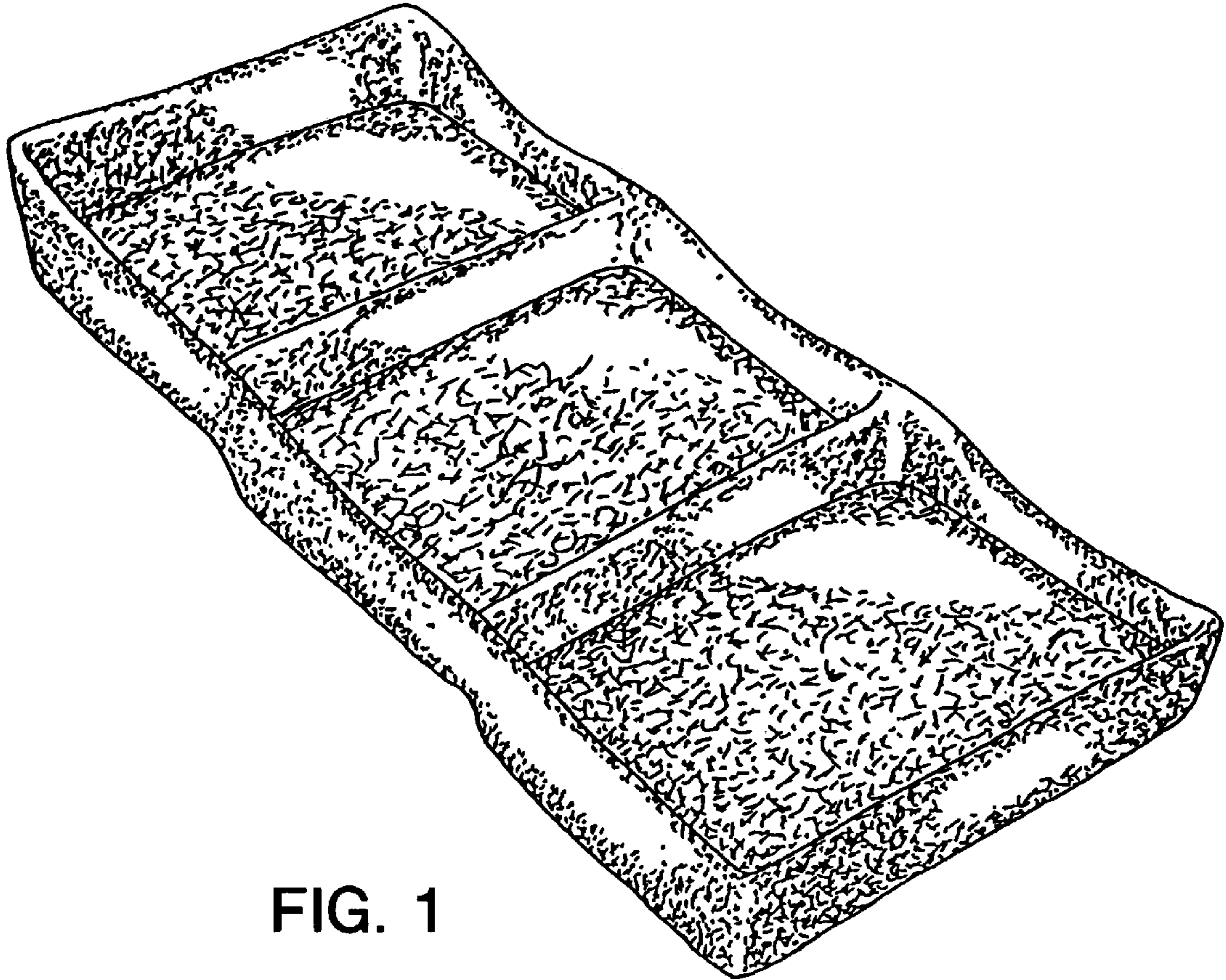


FIG. 1

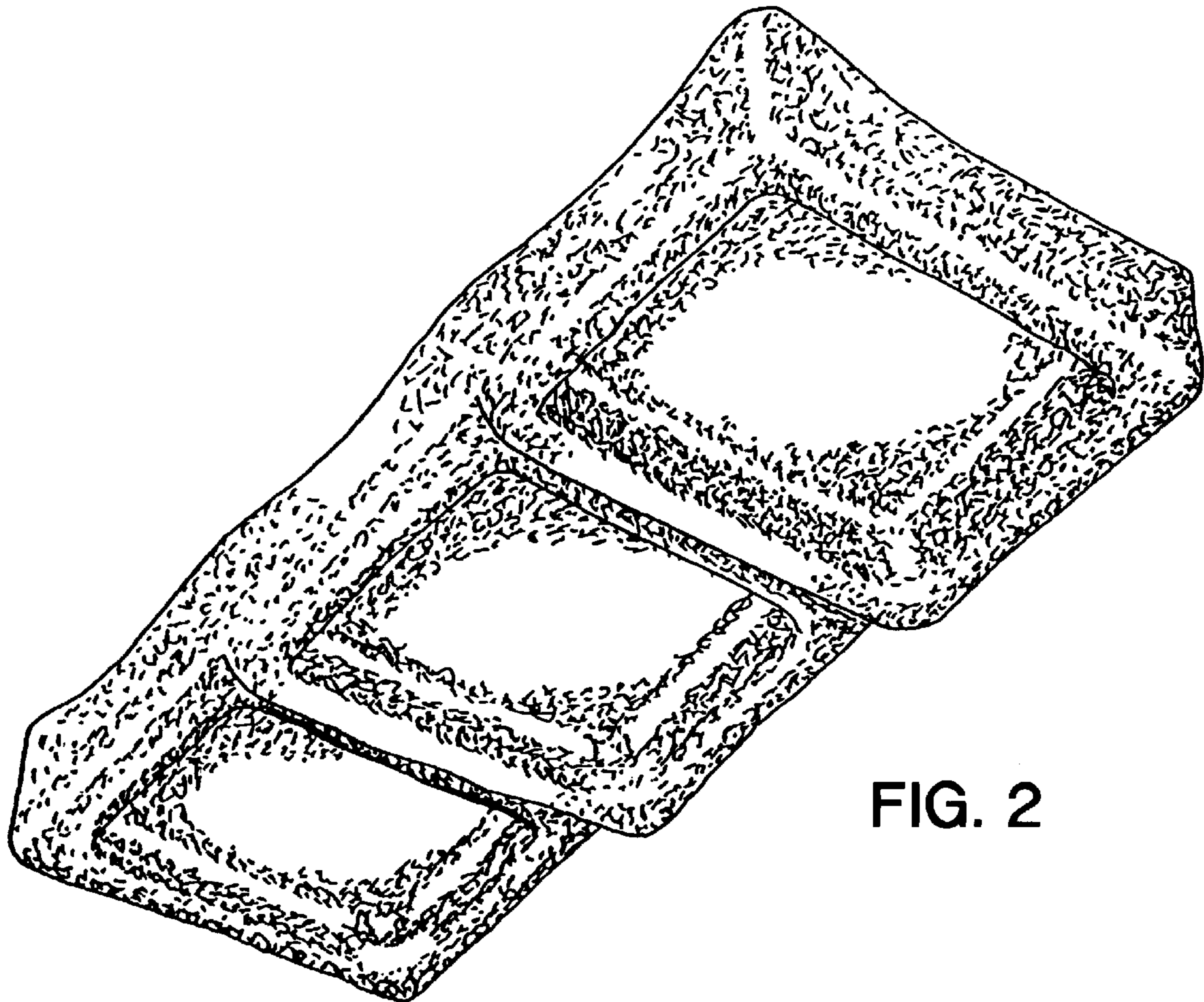


FIG. 2



FIG. 3

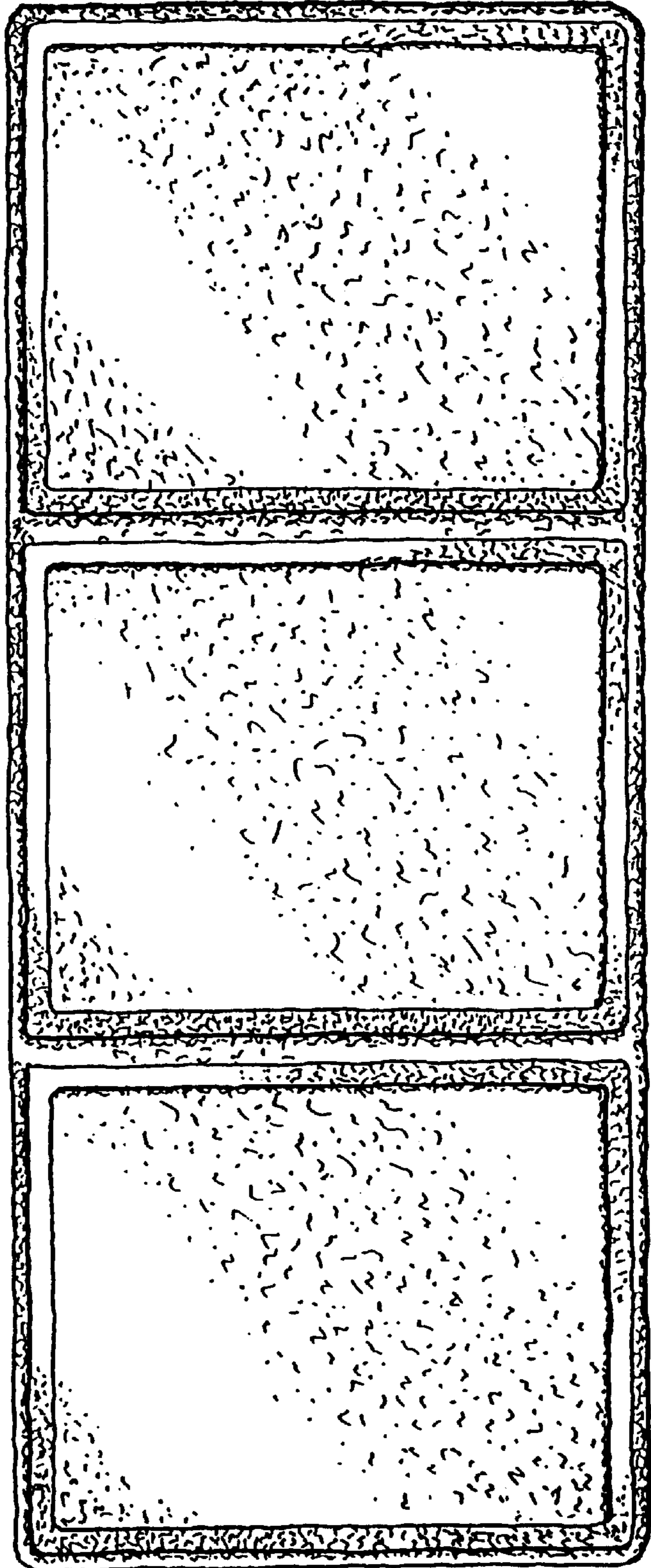


FIG. 4