



US00D411440S

United States Patent [19] Stahel

[11] **Patent Number: Des. 411,440**
[45] **Date of Patent: ** Jun. 22, 1999**

[54] **3 PIECE CLAMP**

5,056,196 10/1991 Van Walraven 24/279

[75] Inventor: **Alwin J. Stahel**, New Brighton, Minn.

OTHER PUBLICATIONS

[73] Assignee: **Kury Akyn Holdings, Inc.**, Somerset, Wis.

Engineering Design manual p. 212; clamps loop type, insert type, and center mounting, Feb. 1970.

[**] Term: **14 Years**

Primary Examiner—Mitchell I. Siegel
Attorney, Agent, or Firm—Hessian & McKasy, P.A.; Glen E. Schumann

[21] Appl. No.: **29/073,681**

[22] Filed: **Jul. 15, 1997**

[57] CLAIM

[51] **LOC (6) Cl.** **08-08**

[52] **U.S. Cl.** **D8/396**

[58] **Field of Search** D8/394, 396; 24/487, 24/517; 248/74.4, 230.5; 285/420

The ornamental design for a 3 piece clamp, as shown and described.

DESCRIPTION

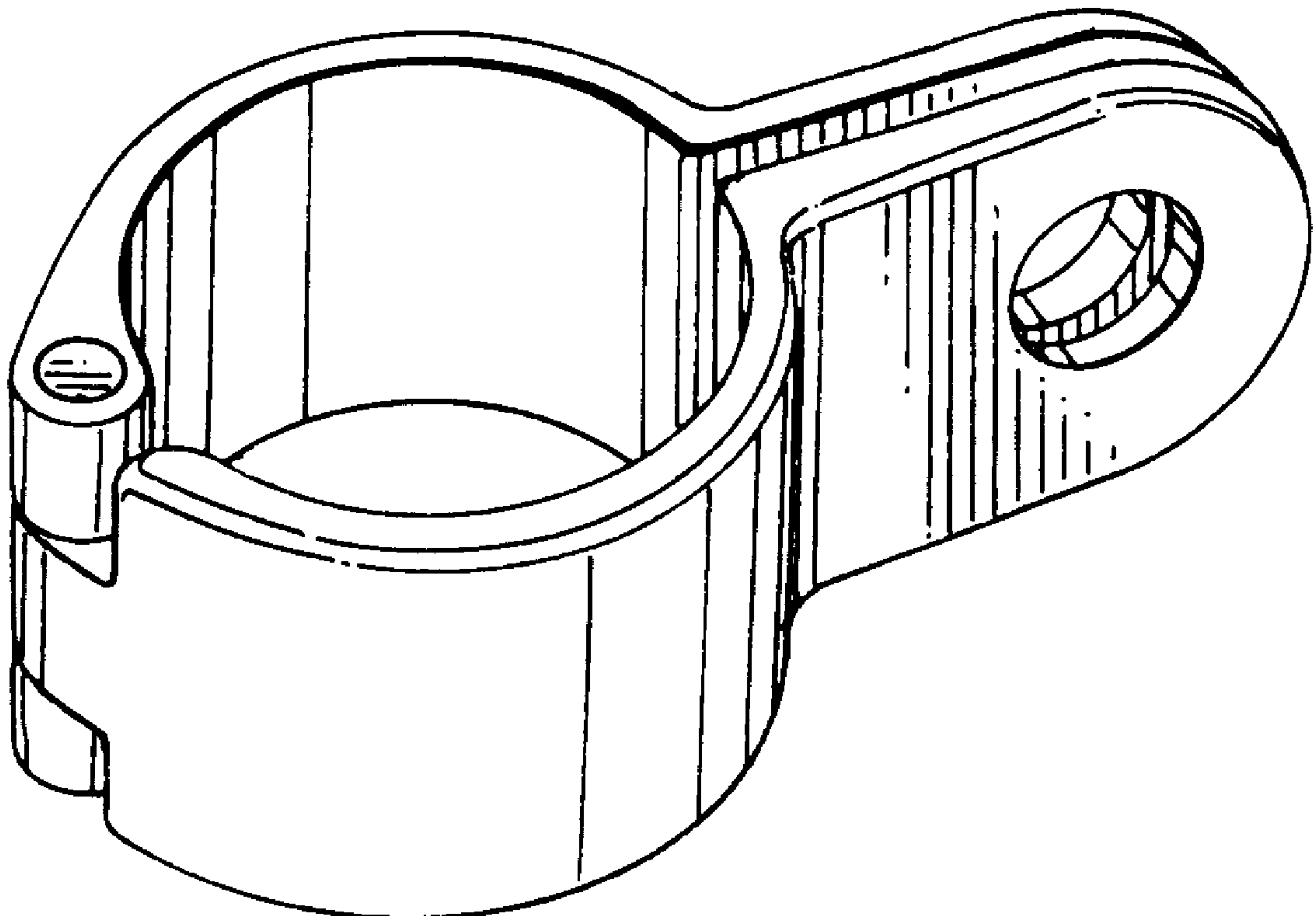
[56] References Cited

U.S. PATENT DOCUMENTS

D. 236,798	9/1975	Hall	D8/396
D. 378,659	4/1997	Blenov	D8/396
582,646	5/1897	Horn	285/298
1,487,903	3/1924	Vitek	24/281
1,497,549	6/1924	Conradi	285/373
2,335,591	11/1943	Hansell	24/279
3,152,817	10/1964	Watson et al.	285/141.1
3,214,813	11/1965	Goldman	24/562
3,916,488	11/1975	Gazda et al.	24/16 R
4,179,784	12/1979	Warren et al.	29/279

FIG. 1 view in perspective;
FIG. 2 view in top plan;
FIG. 3 view in bottom plan;
FIG. 4 view in side elevation as seen from the side opposite of that in FIG. 1;
FIG. 5 view in side elevation as seen from the side opposite of that in FIG. 4;
FIG. 6 view in end elevation as seen from right to left of FIG. 4; and,
FIG. 7 view in end elevation as seen from left to right of FIG. 4.

1 Claim, 2 Drawing Sheets



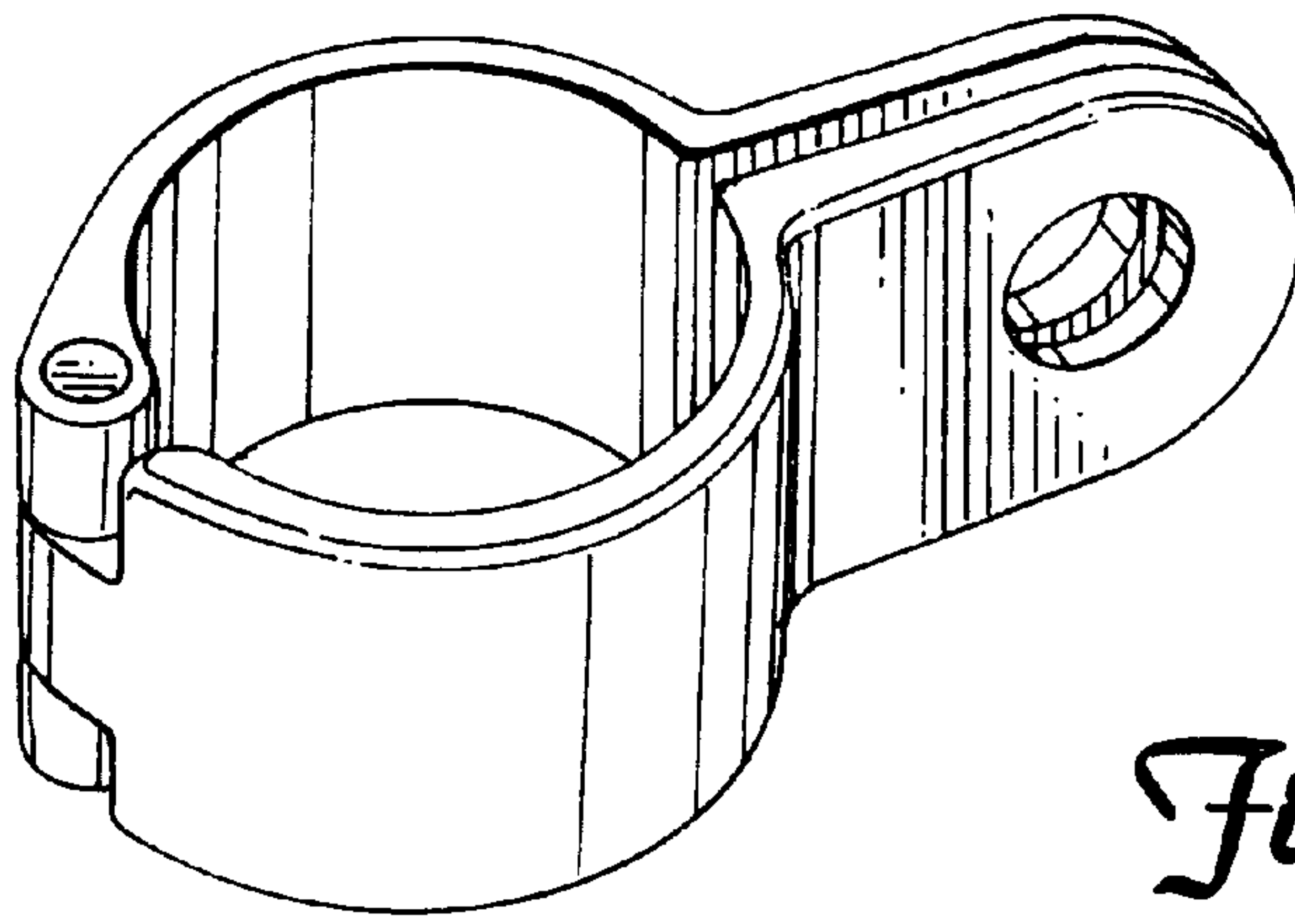


Fig. 1

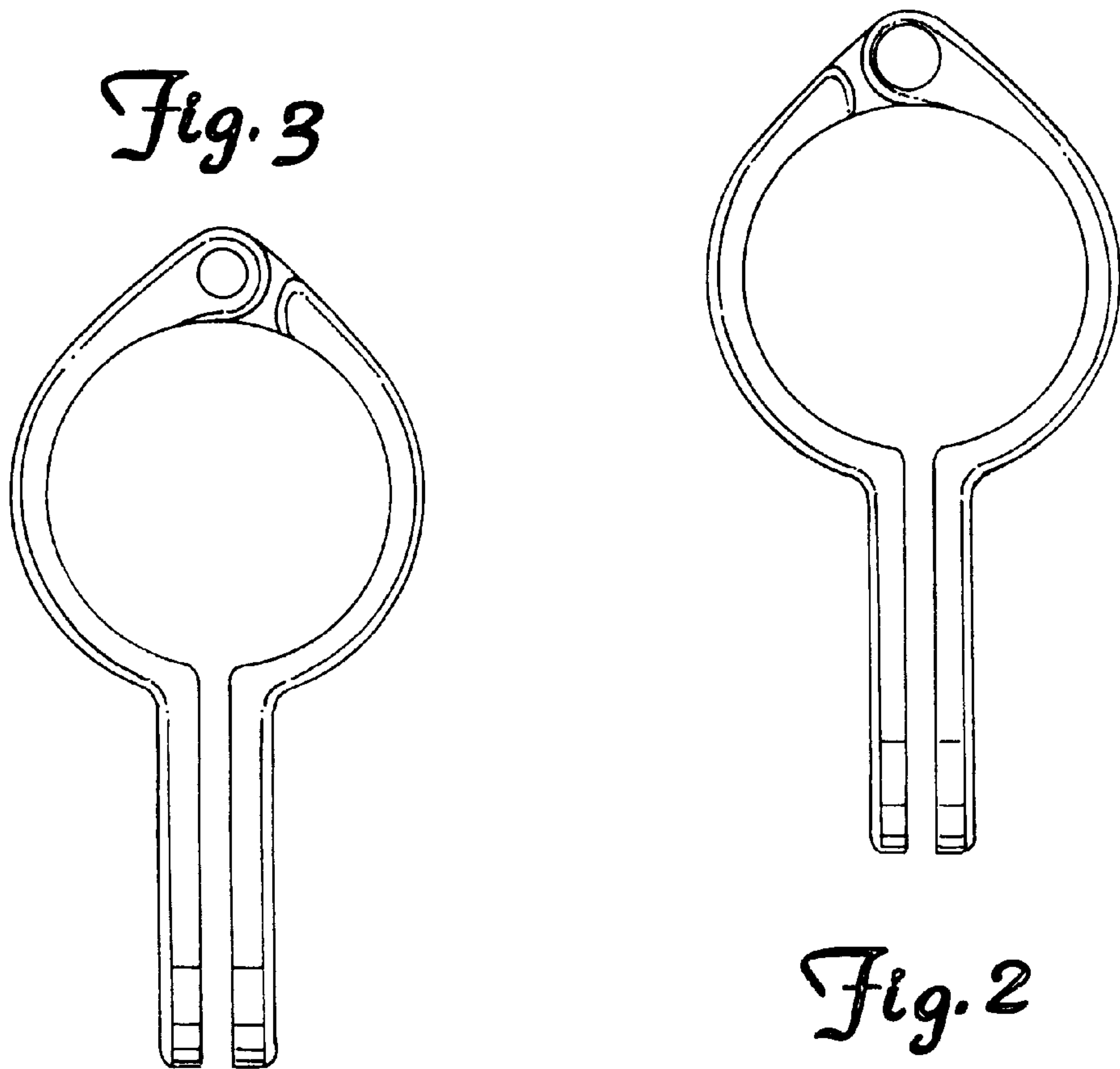


Fig. 3

Fig. 2

Fig. 4

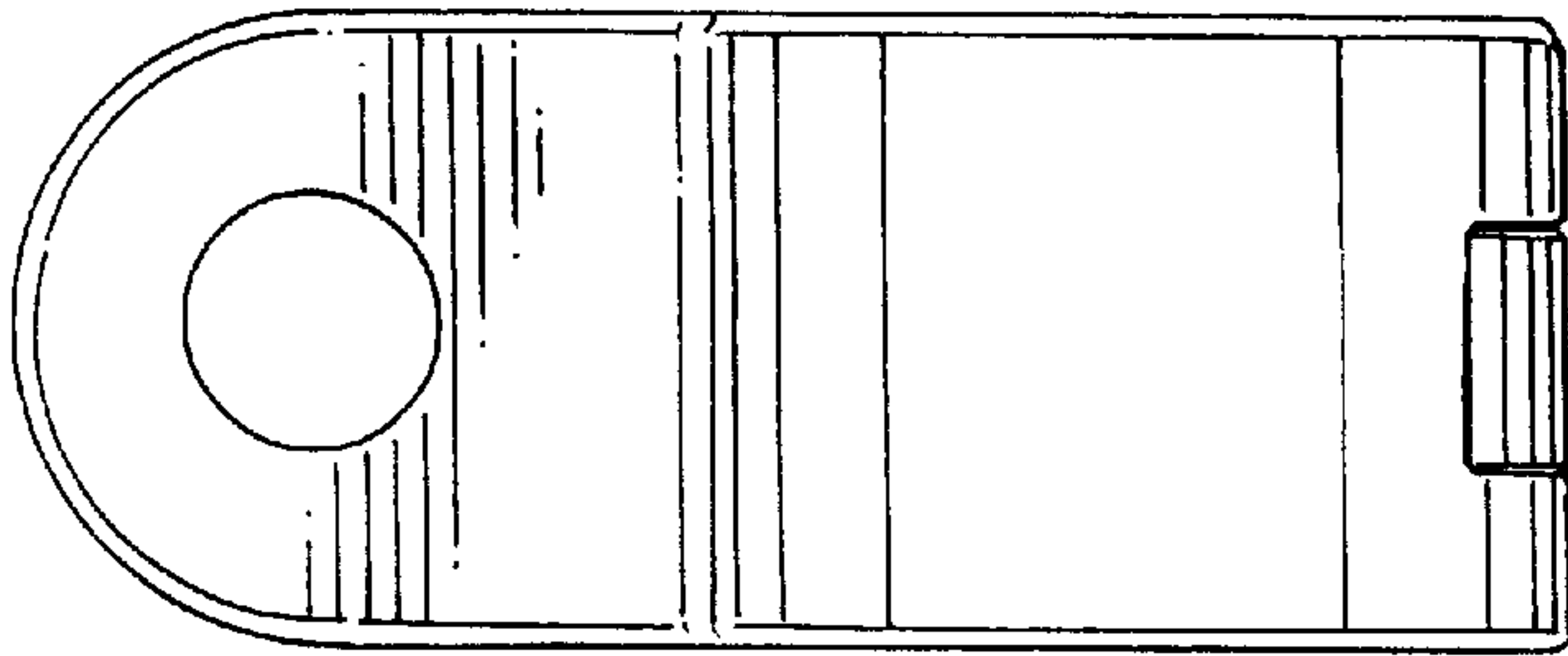


Fig. 5

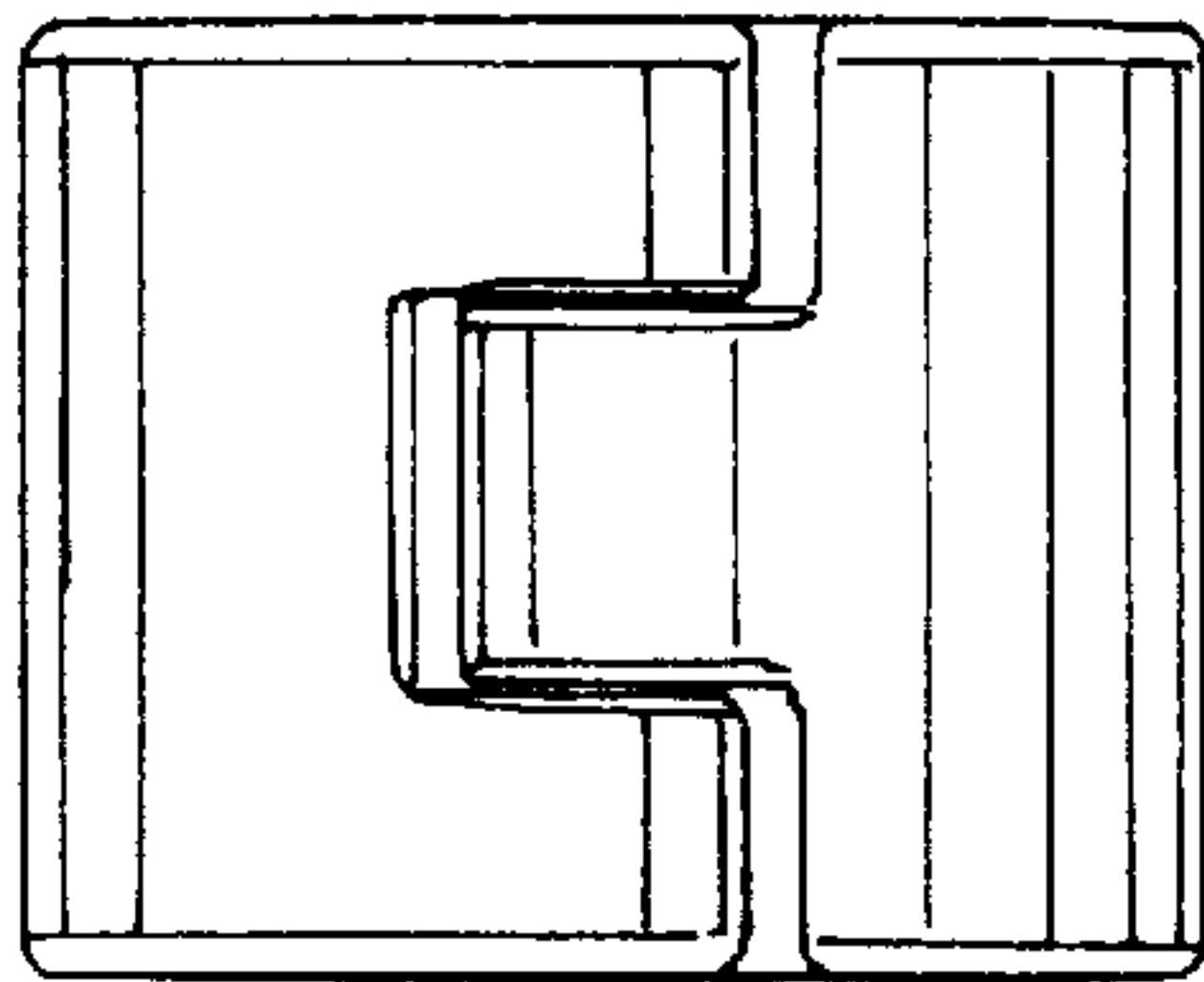
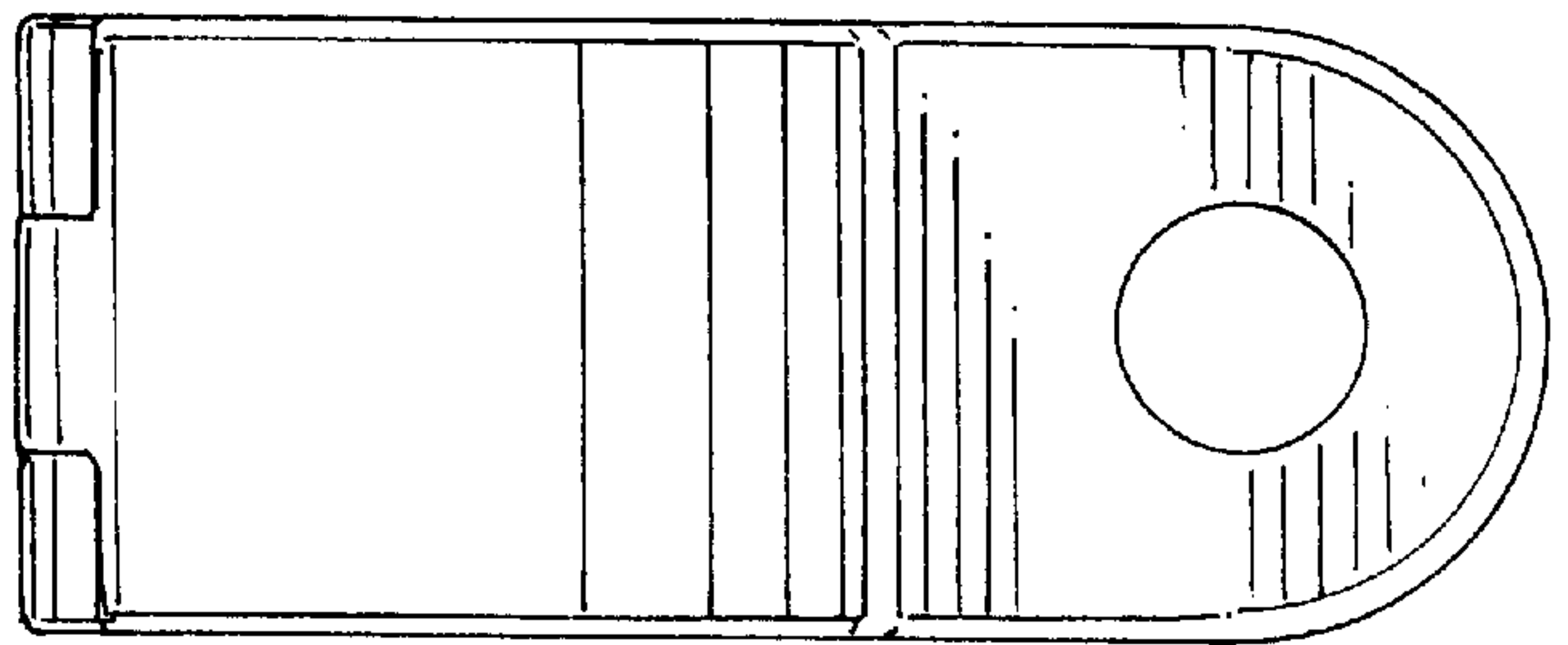


Fig. 6

Fig. 7

