



US00D411438S

United States Patent [19] Günthert

[11] Patent Number: Des. 411,438

[45] Date of Patent: ** Jun. 22, 1999

[54] **SHELVING SUPPORT UNIT**

[75] Inventor: Peter Günthert, Munich, Germany

[73] Assignee: M. Lange & Co. GmbH, Munich, Germany

[**] Term: 14 Years

[21] Appl. No.: 29/083,298

[22] Filed: Jan. 28, 1998

[51] LOC (6) Cl. 08-05

[52] U.S. Cl. D8/381

[58] Field of Search D8/363, 380-381, D8/372; 211/87, 13, 32; 248/301, 304, 235, 237, 243, 245, 247; D6/569, 323

[56] **References Cited**

U.S. PATENT DOCUMENTS

D. 291,154 8/1987 Owen D6/323

Primary Examiner—Holly Baynham
Attorney, Agent, or Firm—Reising, Ethington, Barnes, Kisselle, Learman & McCulloch, P.C.

[57] **CLAIM**

The ornamental design for shelving support unit, as shown and described.

DESCRIPTION

FIG. 1 is a front elevational view of the design;

FIG. 2 is an elevational view of one side thereof, the opposite side being identical; and

FIG. 3 is an enlarged perspective view of one of the support brackets detached from the supporting board;

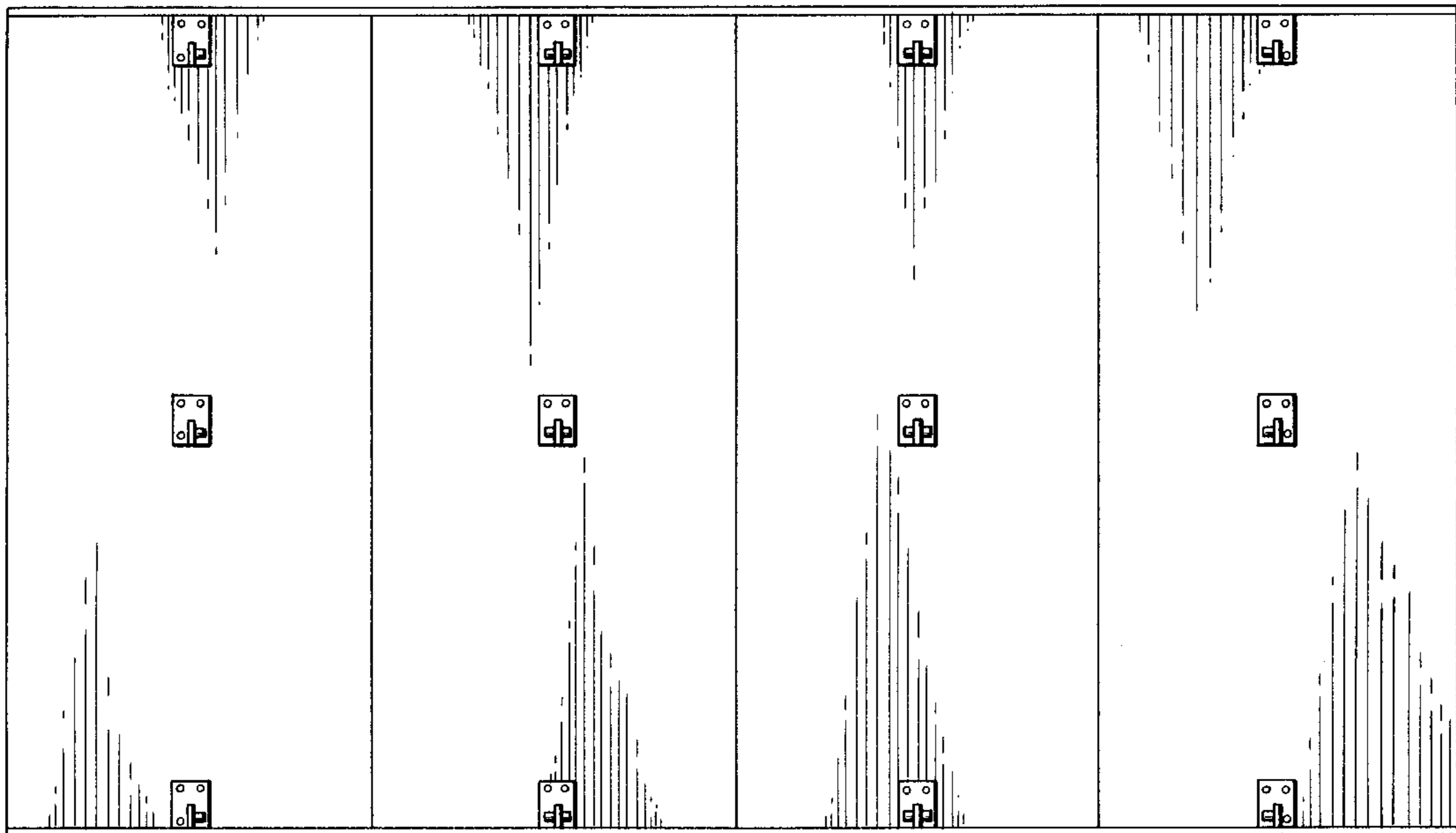
FIG. 4 is a perspective view of a second support bracket detached from the supporting board; and,

FIG. 5 is a perspective view of a third support bracket detached from the supporting board.

The shelving support brackets are shown detached in FIGS. 3-5 for clarity illustration.

The rear view of the claimed design is planar and unornamented. Likewise, the rear view of each individual support bracket is planar and unornamented.

1 Claim, 2 Drawing Sheets



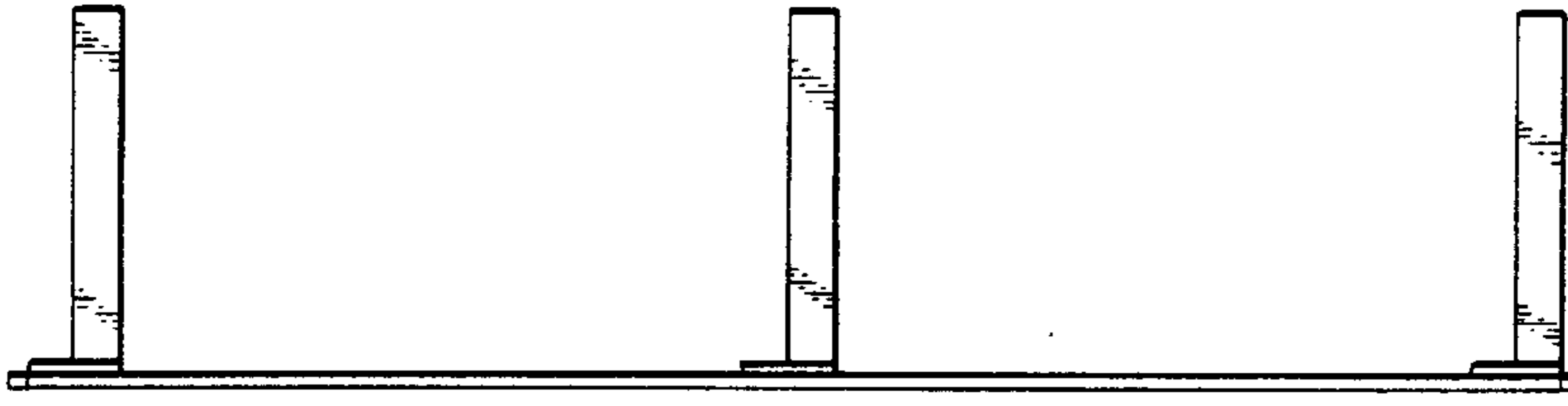


FIG-2

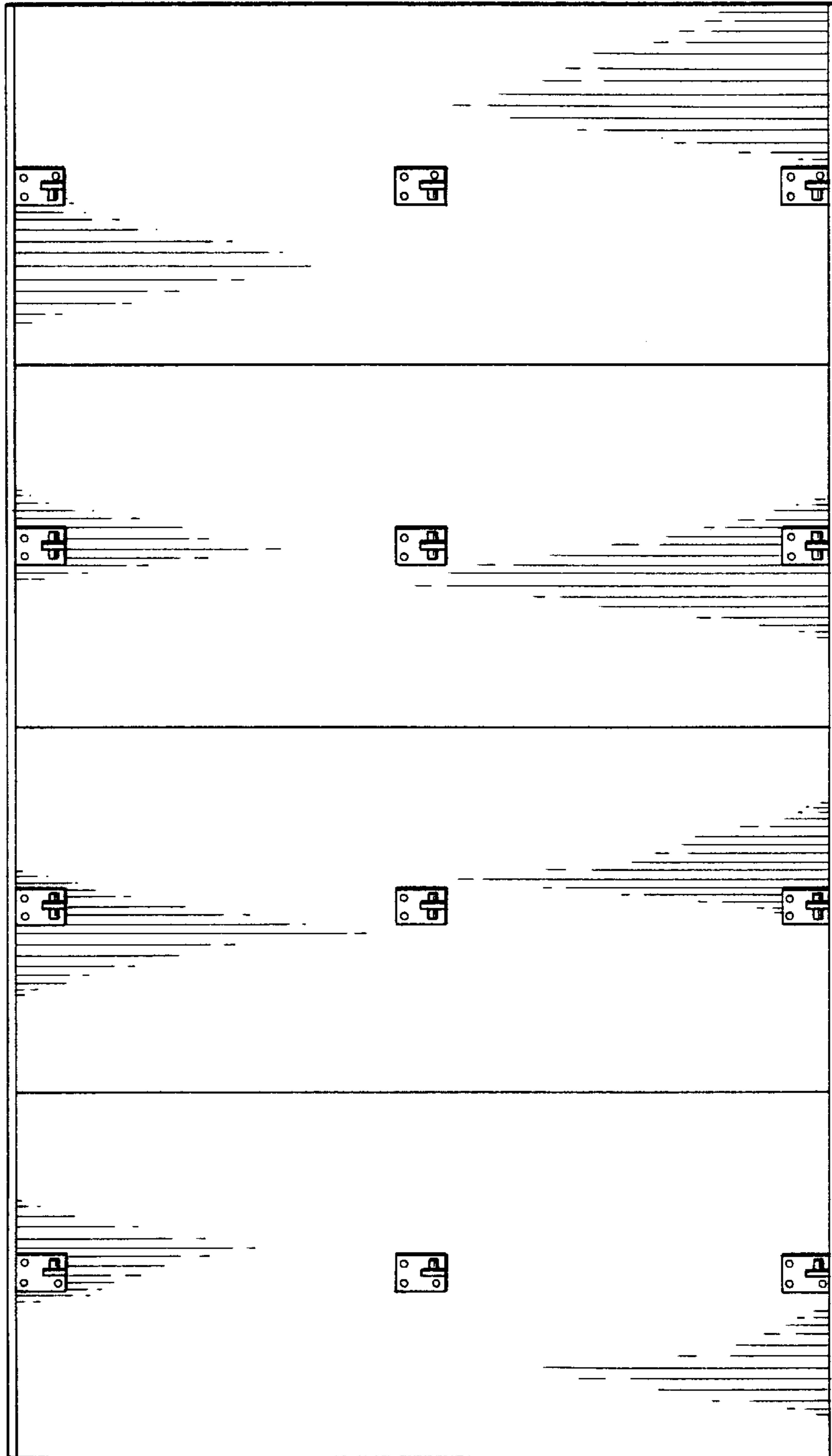


FIG-1

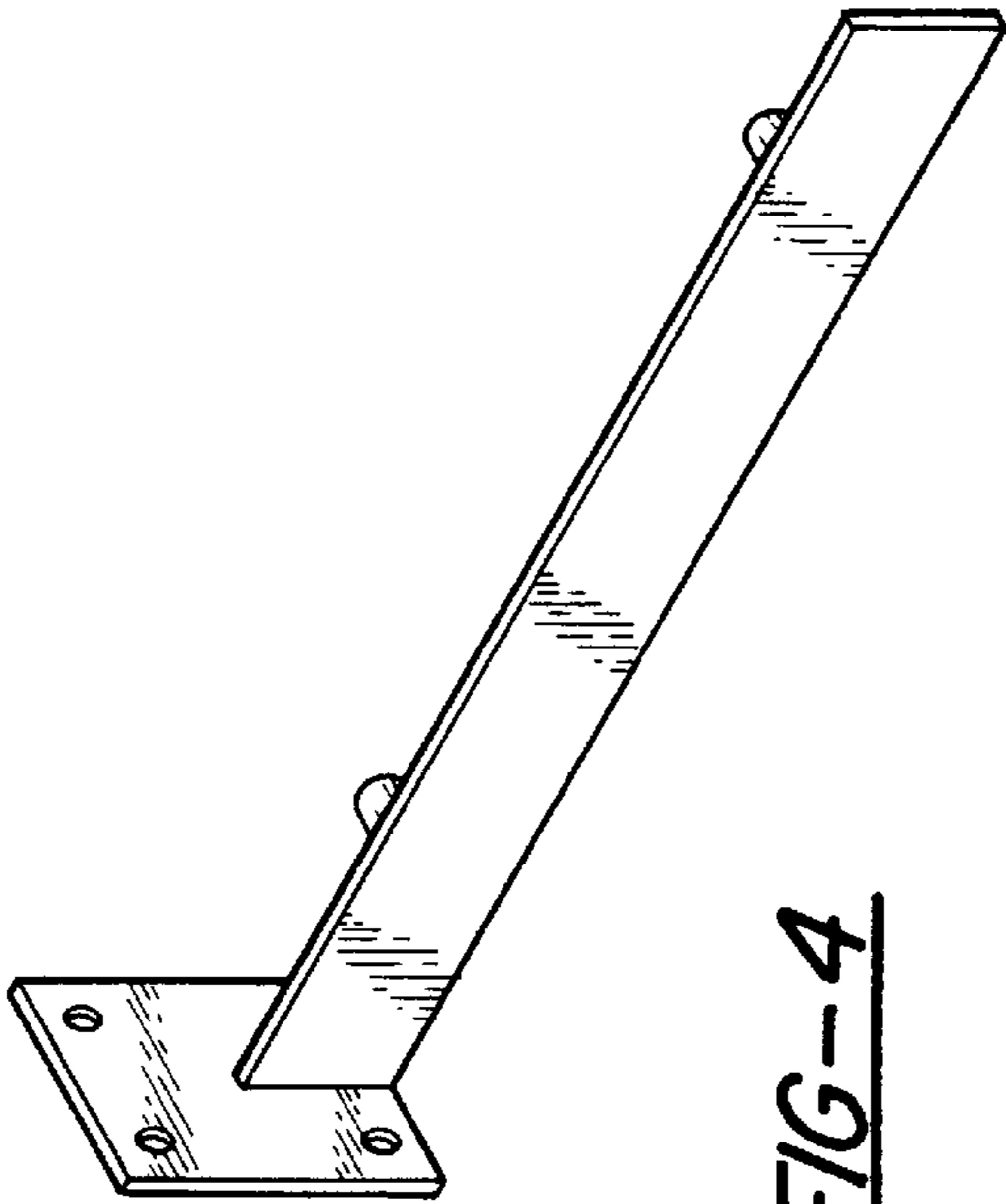


FIG-4

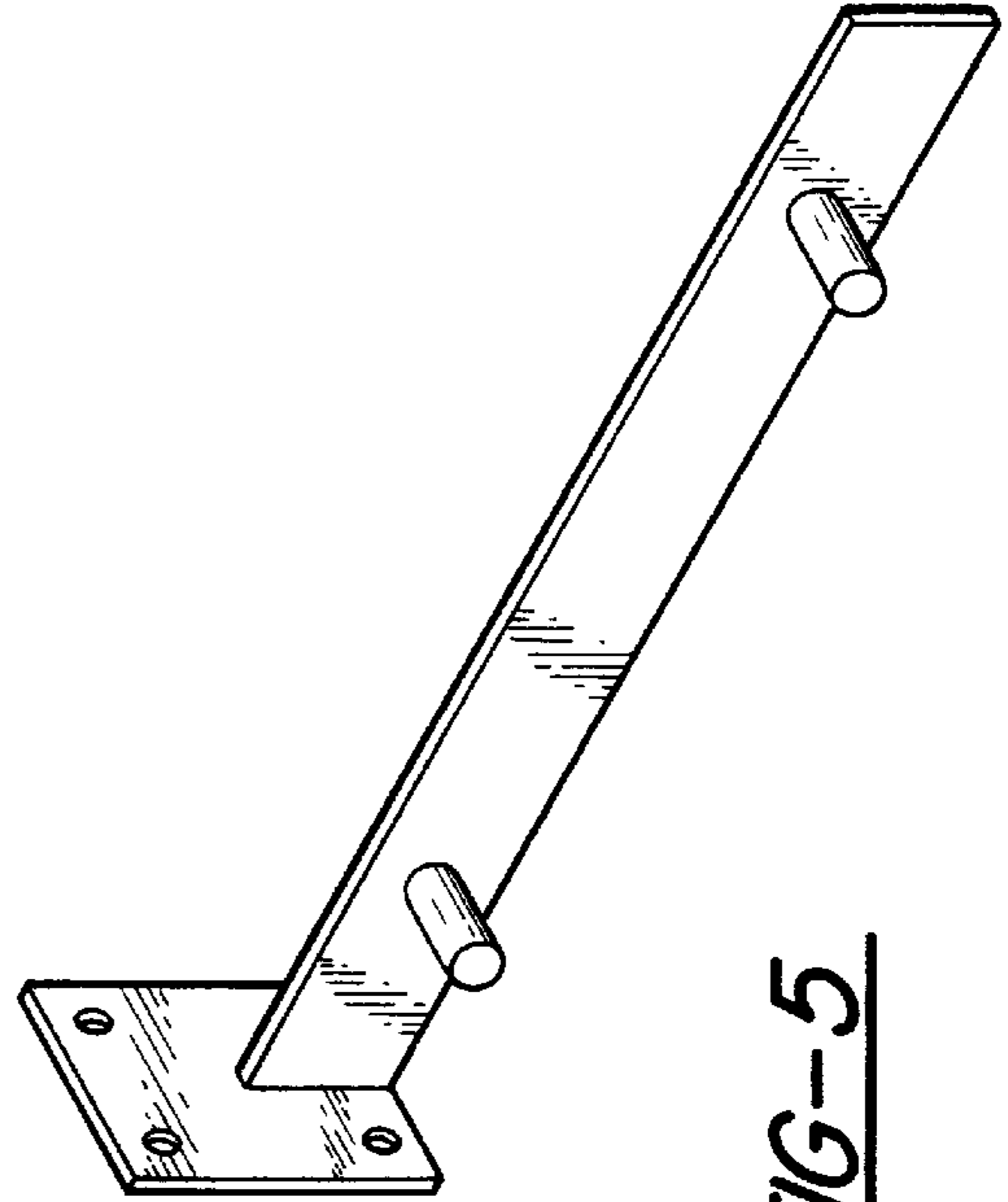


FIG-5

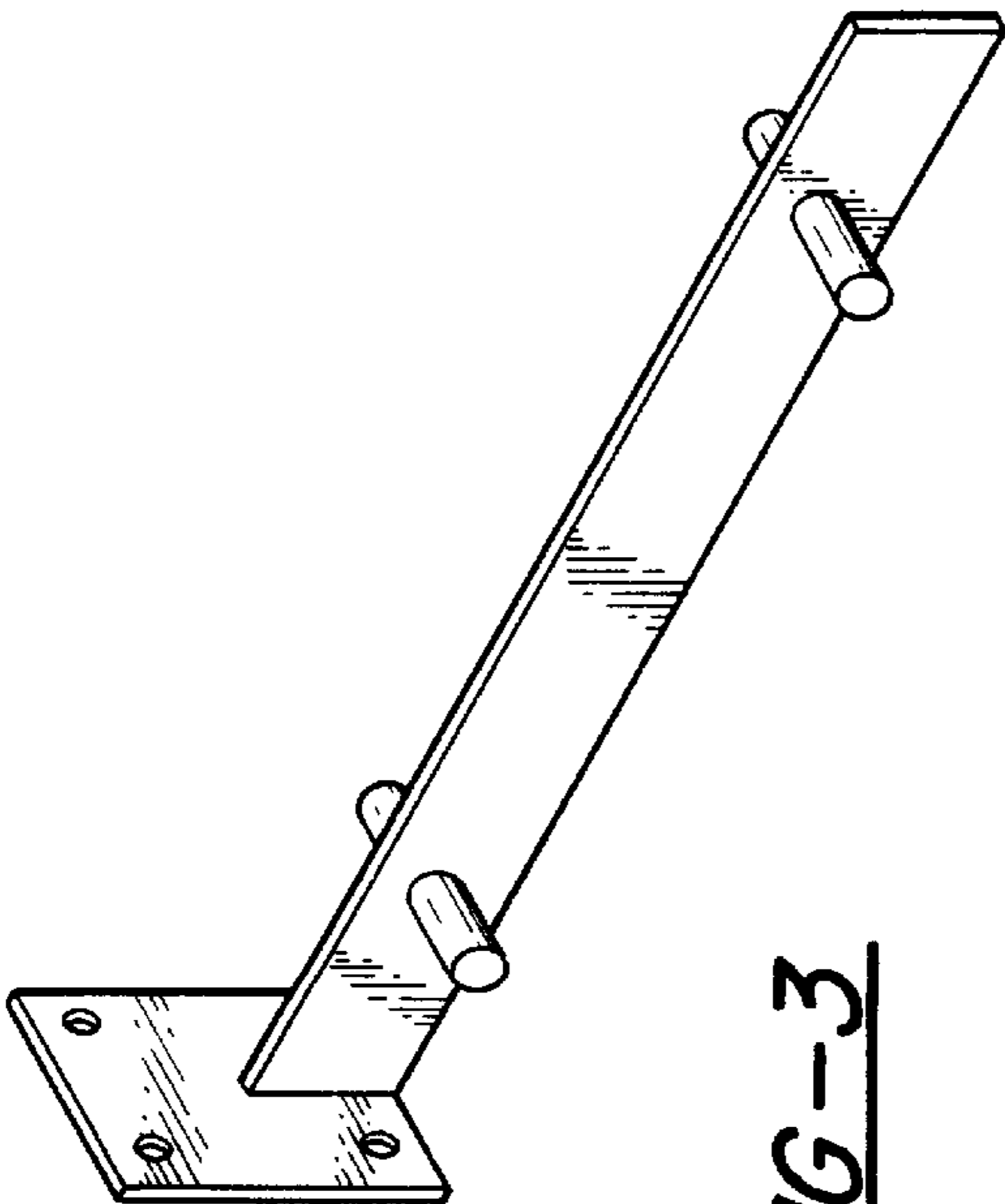


FIG-3