



US00D411437S

United States Patent [19]
Thompson

[11] **Patent Number: Des. 411,437**
[45] **Date of Patent: ** Jun. 22, 1999**

[54] **LEAD CARRIER FOR SUPPORTING VANES
IN A VERTICAL VANE COVERING FOR
ARCHITECTURAL OPENINGS**

[75] Inventor: **Eugene W. Thompson**, Maceo, Ky.

[73] Assignee: **Hunter Douglas Inc.**, Upper Saddle
River, N.J.

[**] Term: **14 Years**

[21] Appl. No.: **29/089,763**

[22] Filed: **Jun. 22, 1998**

[51] **LOC (6) Cl.** **08-05**

[52] **U.S. Cl.** **D8/377**

[58] **Field of Search** D8/349, 354, 380;
248/300, 200, 201, 27.1

[56] **References Cited**

U.S. PATENT DOCUMENTS

D. 298,604	11/1988	Newton	D8/380
D. 321,126	10/1991	Westphal	D8/380
5,599,206	2/1997	Slack	439/607 X

Primary Examiner—Holly Baynham

Attorney, Agent, or Firm—Dorsey & Whitney LLP

[57] **CLAIM**

I claim the ornamental design for a lead carrier for supporting vanes in a vertical vane covering for architectural openings, as shown and described.

DESCRIPTION

FIG. 1 is an isometric view looking down on a lead carrier for supporting vanes in a vertical vane covering for architectural openings.

FIG. 2 is an isometric view looking from the bottom of the lead carrier.

FIG. 3 is a top plan view of the lead carrier.

FIG. 4 is a front elevation of the lead carrier.

FIG. 5 is a bottom plan view of the lead carrier.

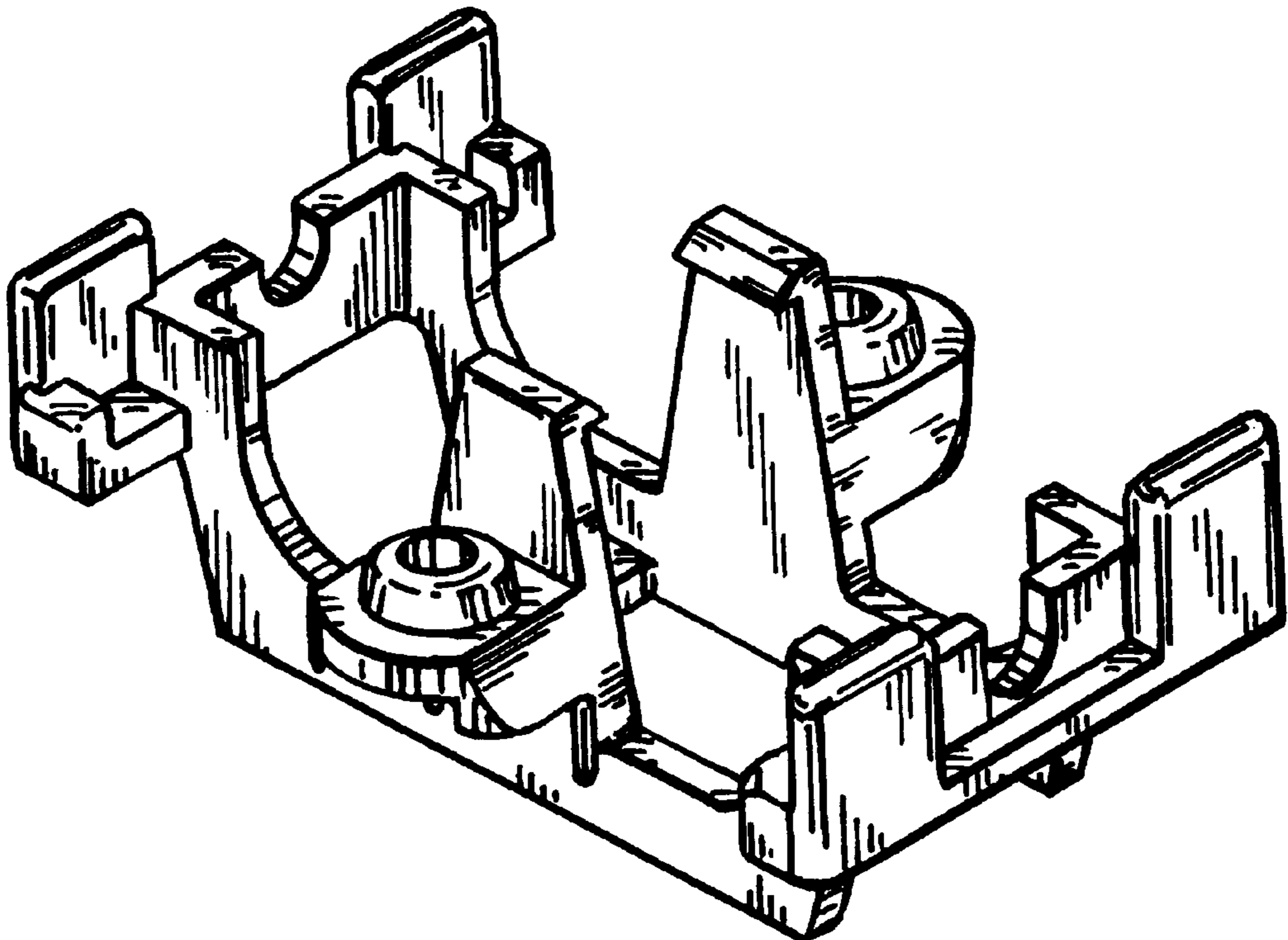
FIG. 6 is a left side elevation of the lead carrier with the right side elevation being a mirror image thereof.

FIG. 7 is an environmental isometric view thereof; and,

FIG. 8 is an environmental isometric view thereof.

The broken line showing of a standard carrier is for illustrative purposes only and forms no part of the claimed design.

1 Claim, 4 Drawing Sheets



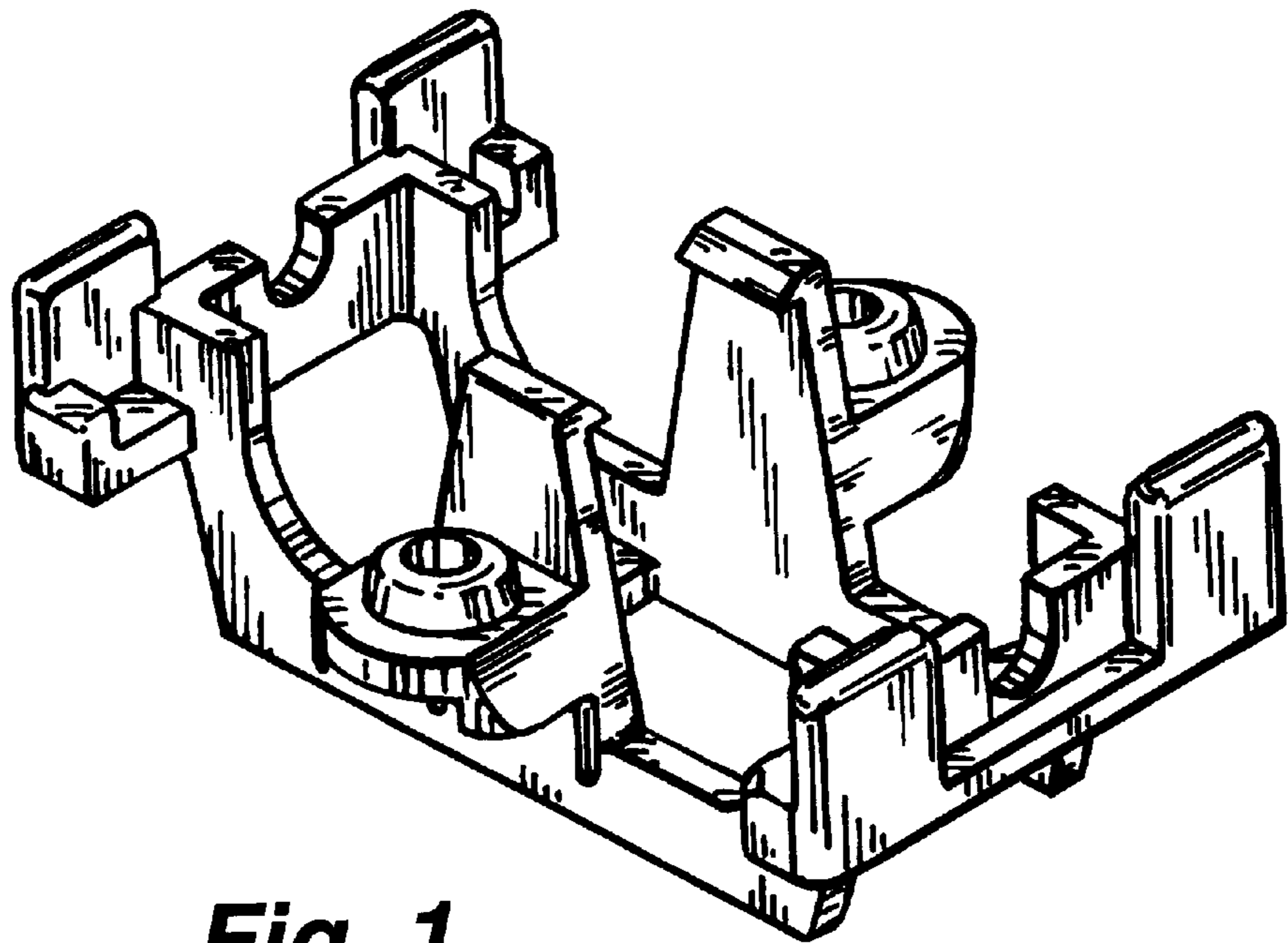


Fig. 1

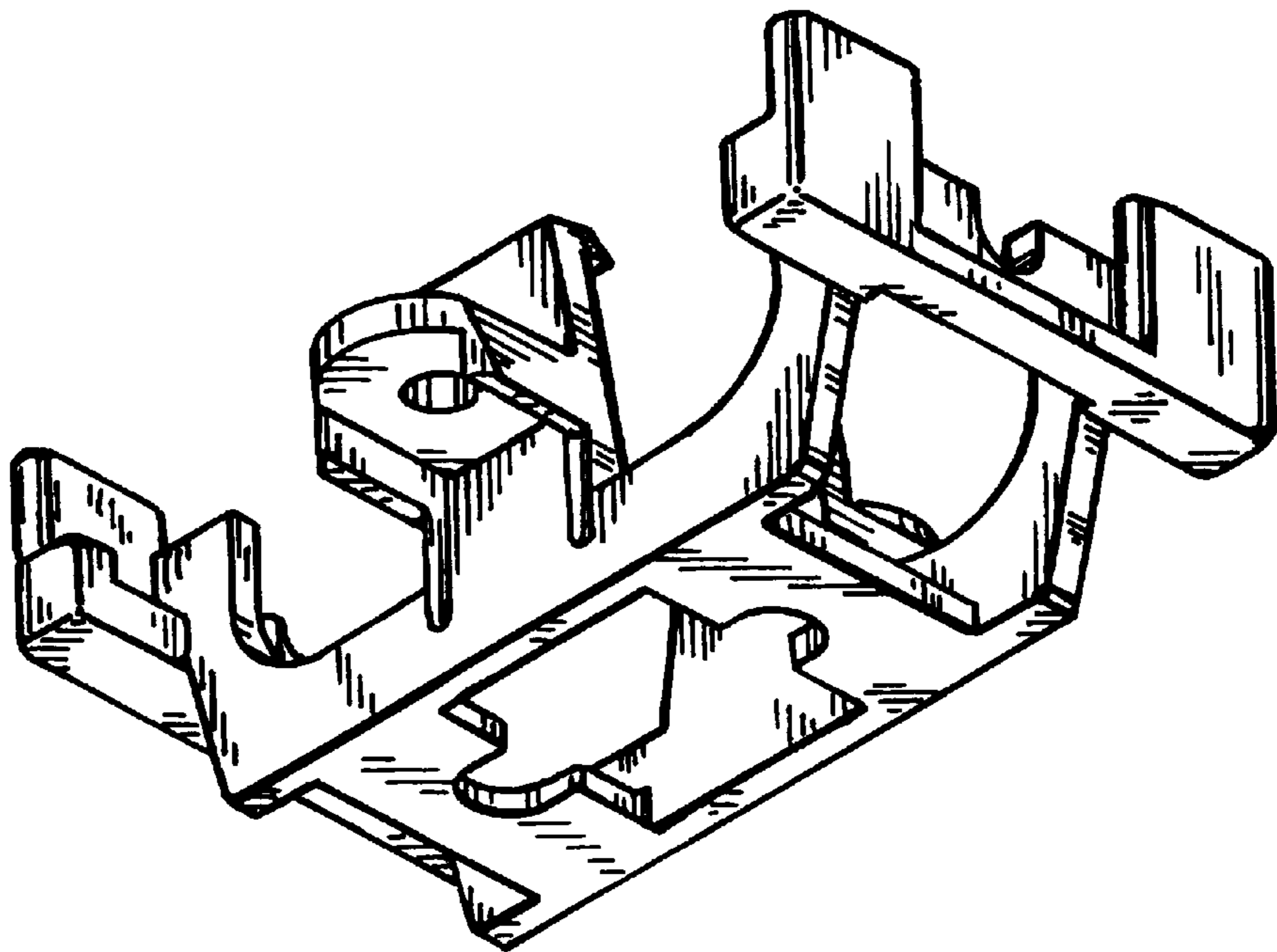


Fig. 2

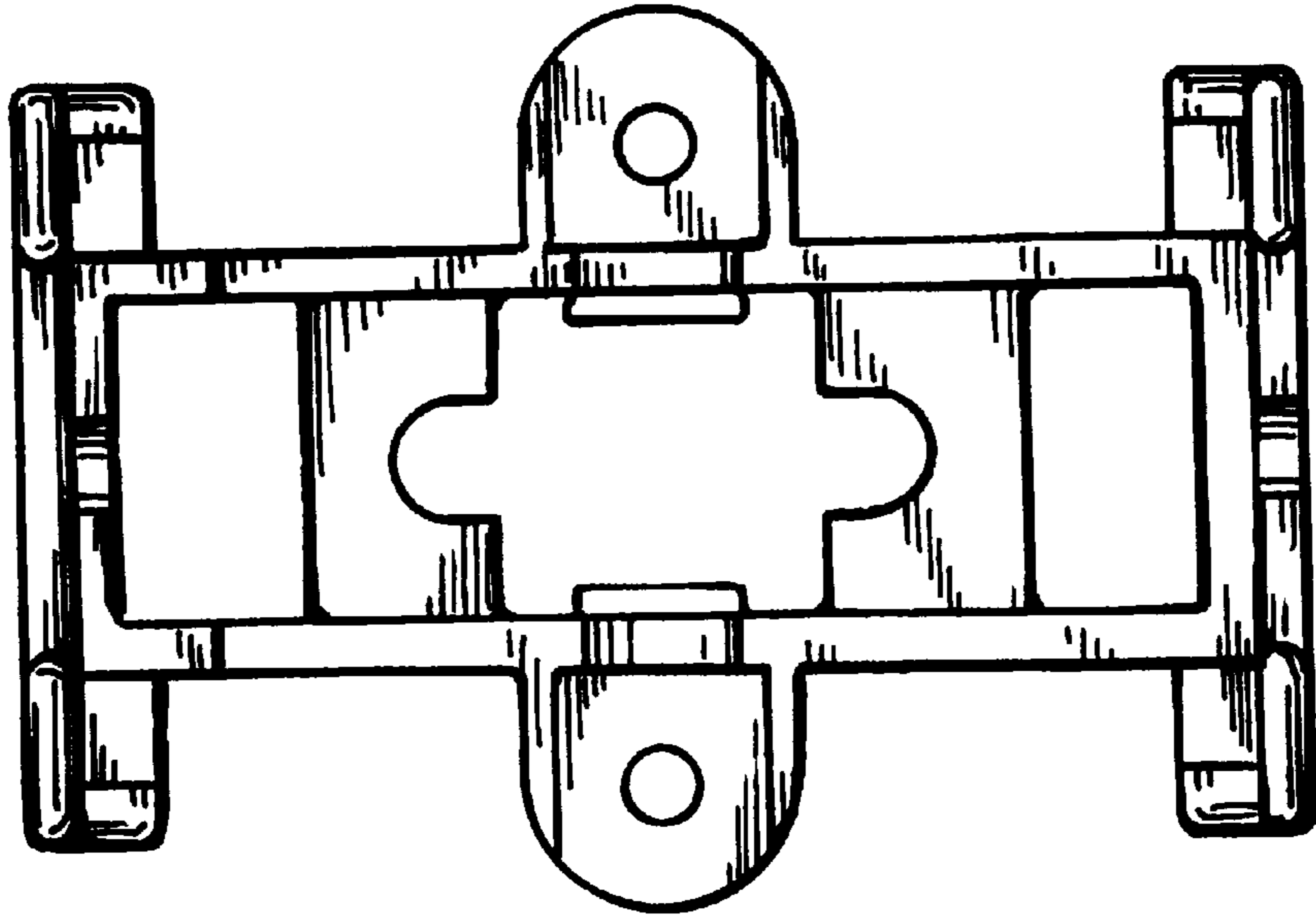


Fig. 3

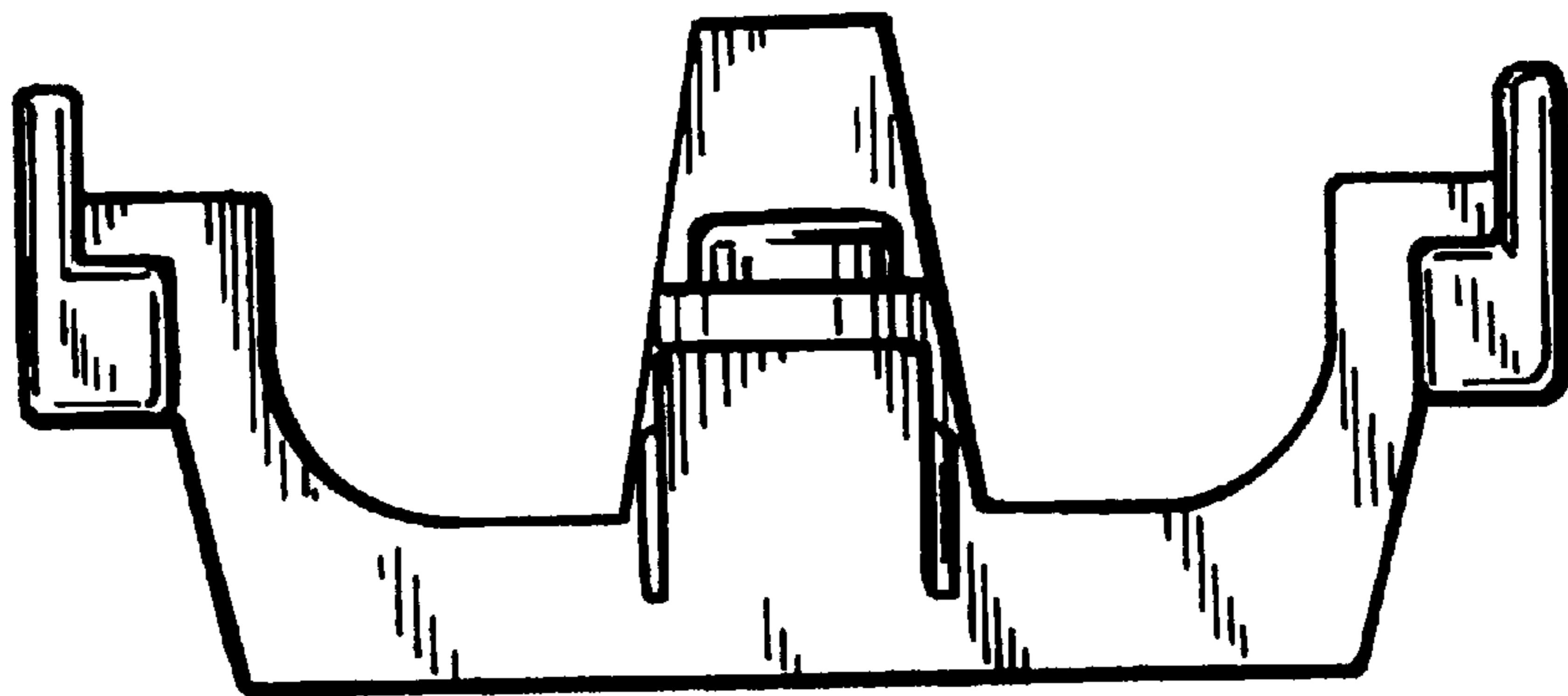


Fig. 4

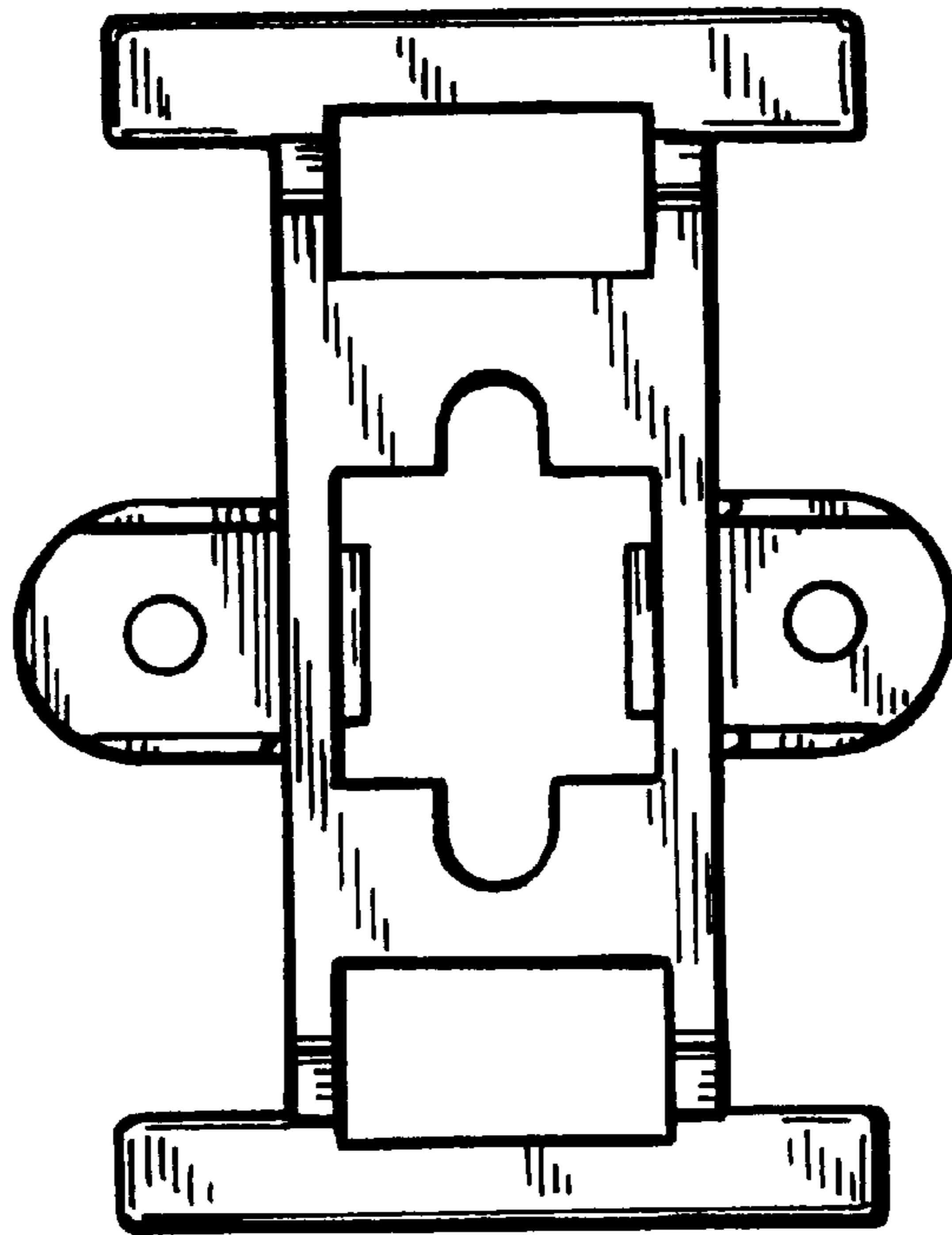


Fig. 5

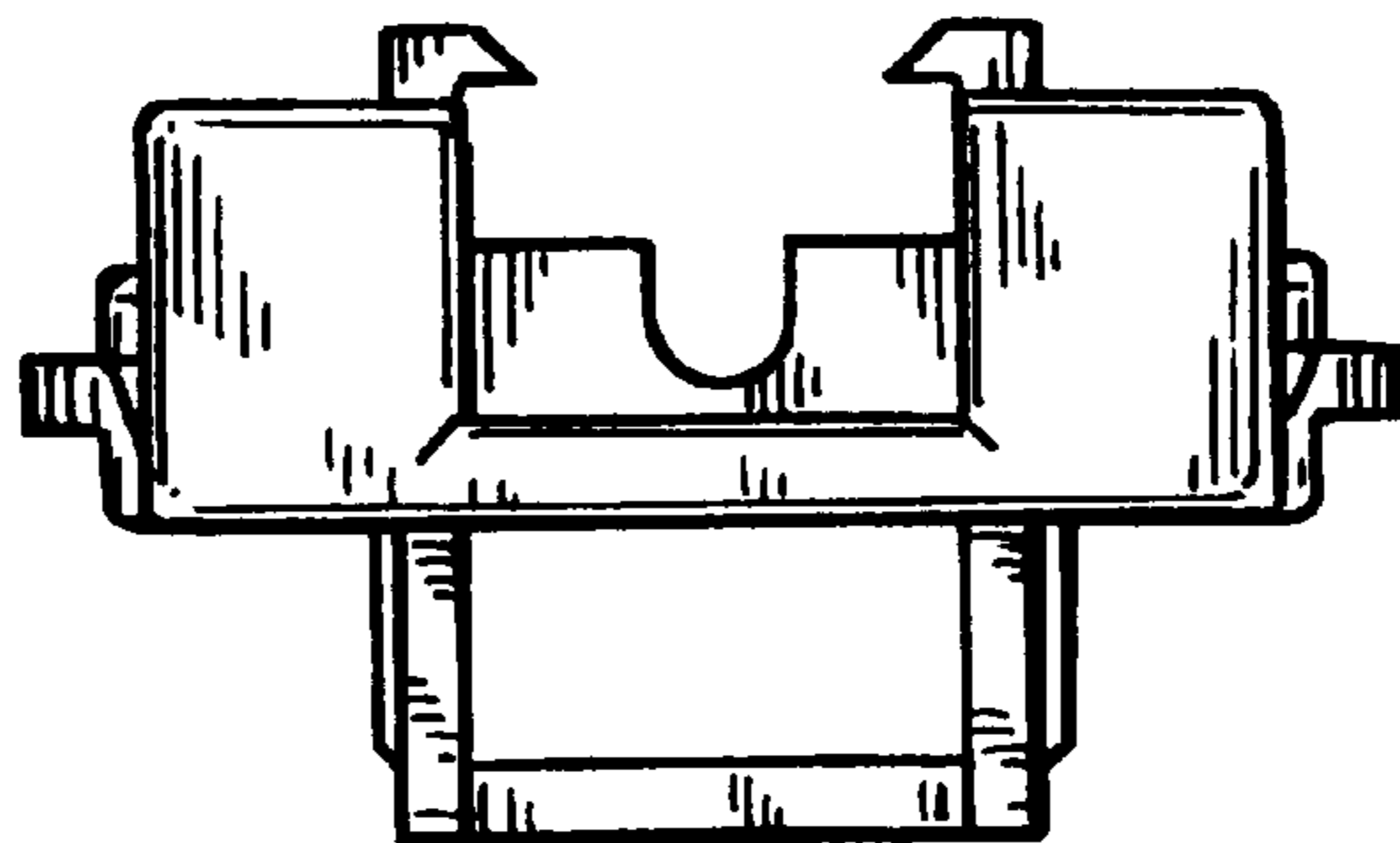


Fig. 6

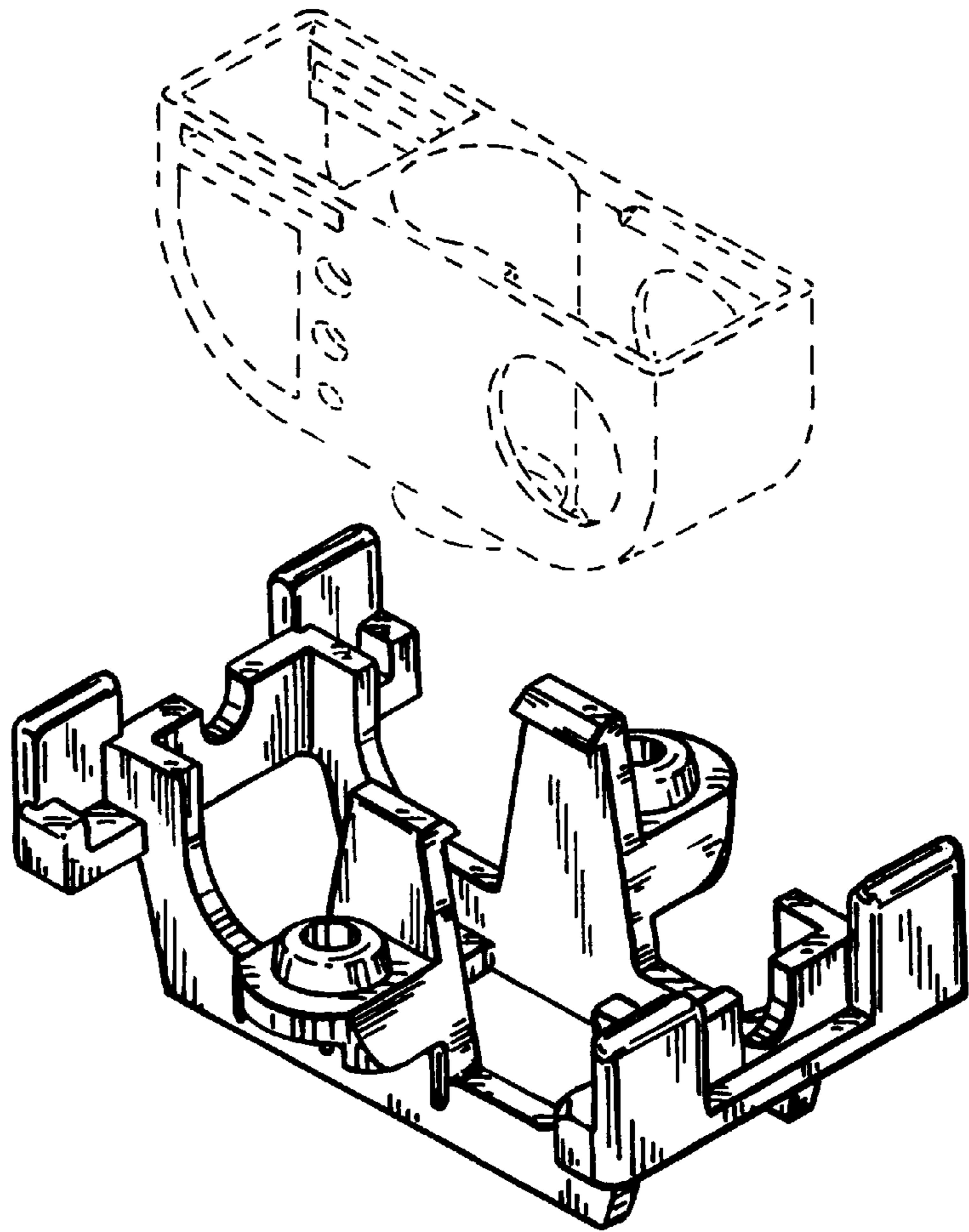


Fig. 7

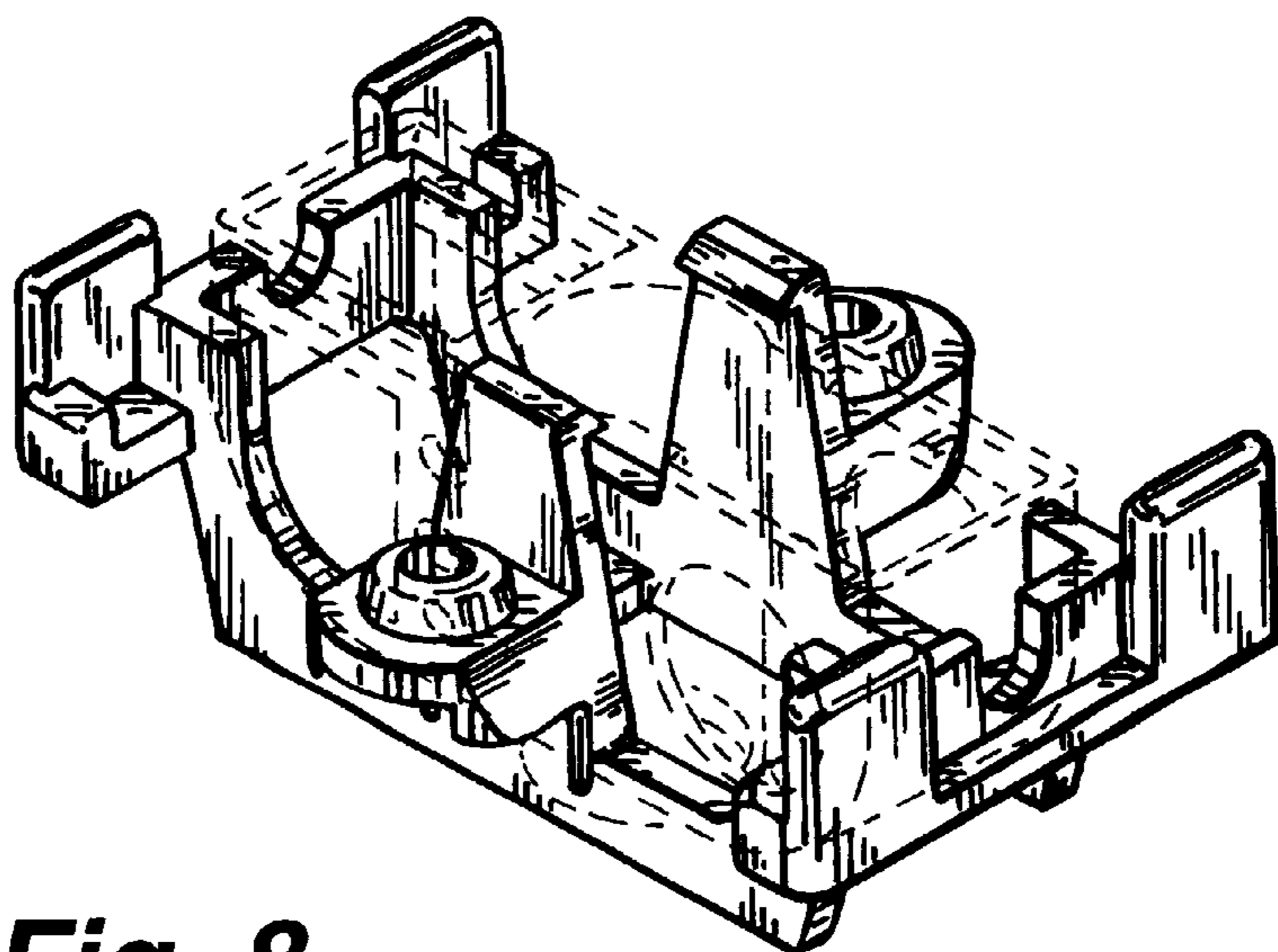


Fig. 8