



US00D411436S

United States Patent [19]
Krehel

[11] **Patent Number: Des. 411,436**

[45] **Date of Patent: ** Jun. 22, 1999**

[54] **OVER THE DOOR CLOTHES HOOK**

[75] Inventor: **Gregg C. Krehel**, Newtown, Conn.

[73] Assignee: **The Stanley Works**, New Britain, Conn.

[**] Term: **14 Years**

[21] Appl. No.: **29/055,754**

[22] Filed: **Jun. 12, 1996**

[51] **LOC (6) Cl. 08-05**

[52] **U.S. Cl. D8/367; D6/327**

[58] **Field of Search** D6/315, 320, 323, D6/327; D8/363, 367, 371, 373; 211/105.1, 105.2; 248/214, 215, 304

- D. 276,195 11/1984 Smith .
- D. 279,450 7/1985 Chap .
- D. 281,575 12/1985 Chap .
- D. 304,545 11/1989 Hurrelbrink .
- D. 316,031 4/1991 Goodman et al. .
- D. 323,284 1/1992 Thompson .
- D. 326,021 5/1992 Evenson .
- D. 343,112 1/1994 Corbin .
- 2,500,881 3/1950 Stader .
- 5,104,083 4/1992 Shannon .

Primary Examiner—Terry A. Wallace
Attorney, Agent, or Firm—Pepe & Hazard LLP

[57] **CLAIM**

The ornamental design for a over the door clothes hook, as shown.

DESCRIPTION

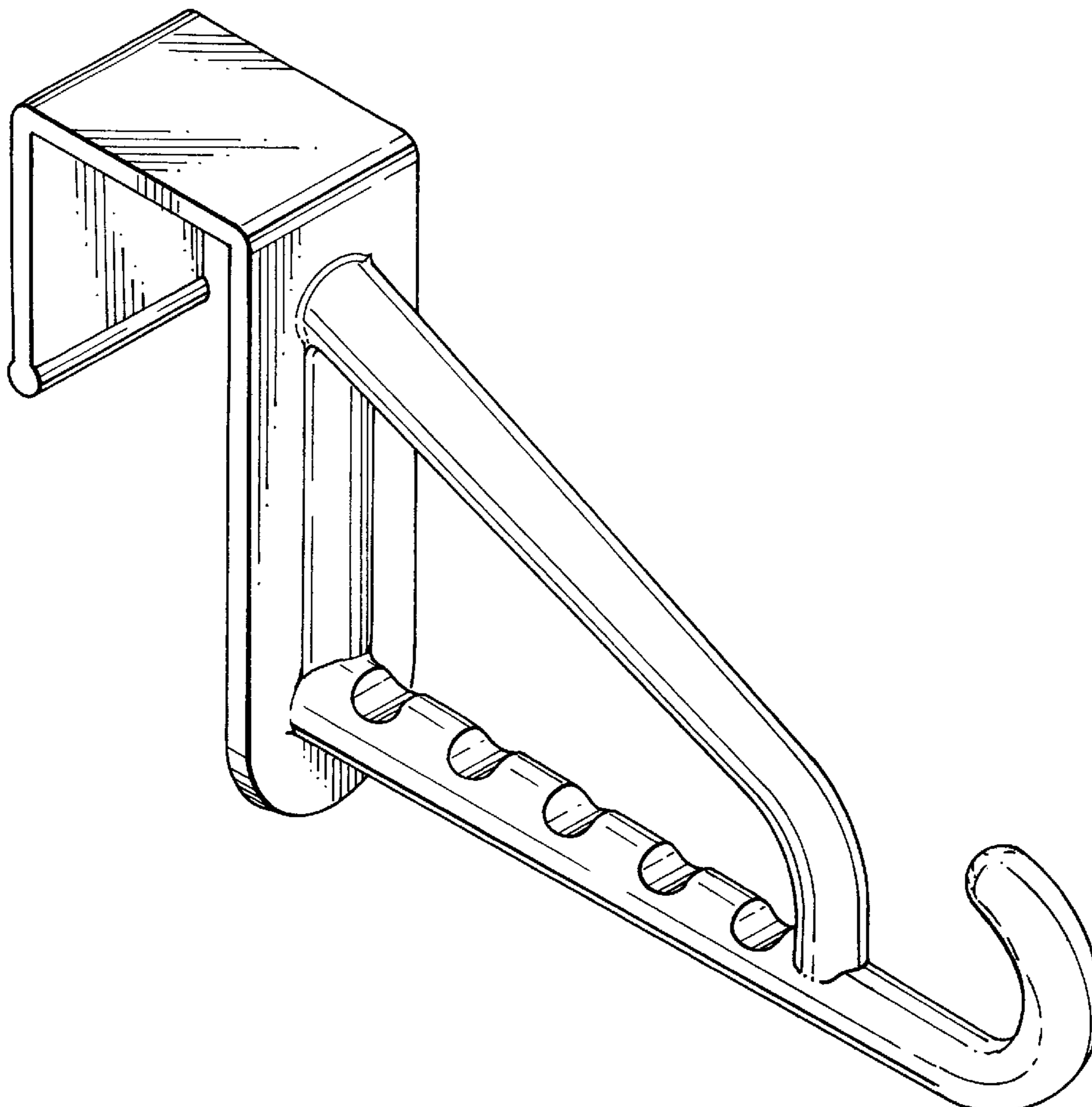
FIG. 1 is a perspective view of an over the door clothes hook showing my new design;
FIG. 2 is a front end elevational view thereof;
FIG. 3 is a rear end elevational view thereof;
FIG. 4 is a top view thereof;
FIG. 5 is a side elevational view thereof; and,
FIG. 6 is a bottom view thereof.

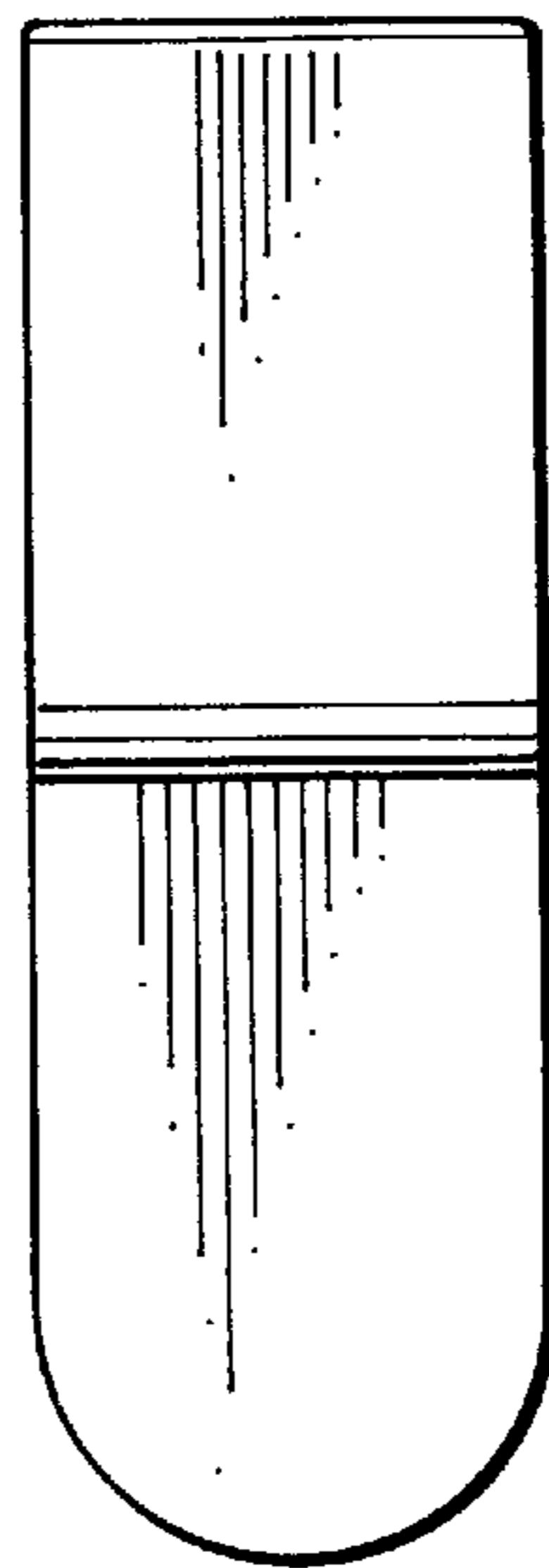
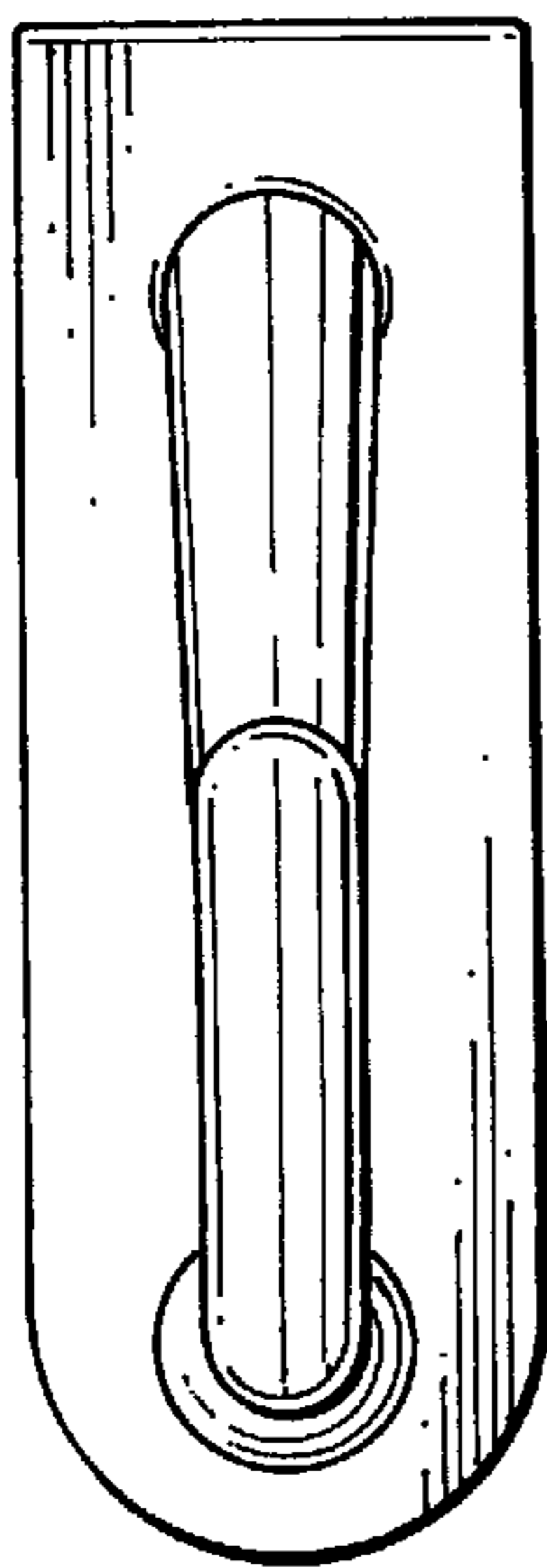
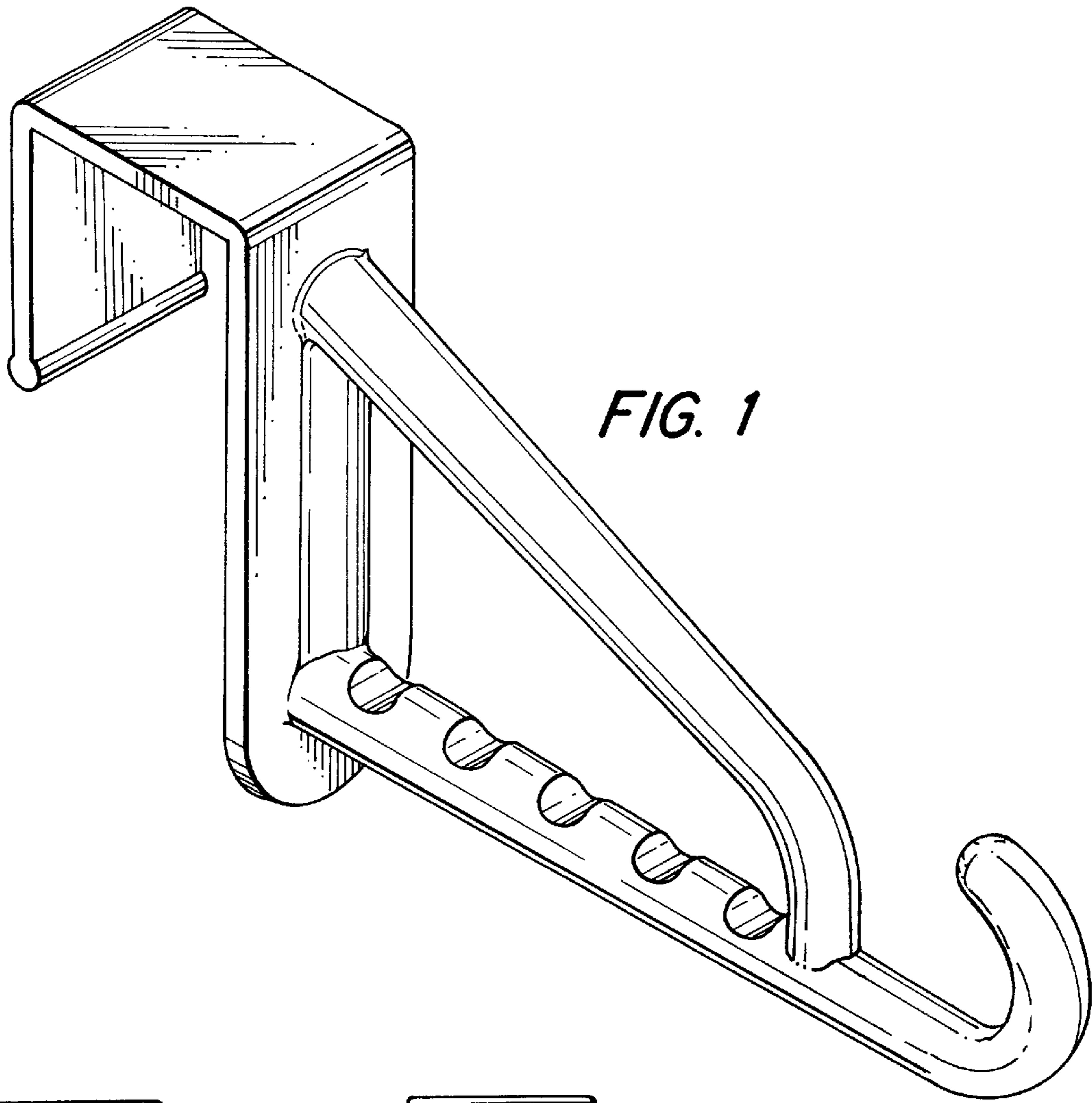
1 Claim, 2 Drawing Sheets

[56] **References Cited**

U.S. PATENT DOCUMENTS

- D. 160,790 11/1950 Kongieser et al. D6/325
- D. 171,452 2/1954 Kramer D8/363
- D. 267,604 1/1983 Peabody et al. .
- D. 268,883 5/1983 Peabody et al. .
- D. 271,546 11/1983 Smith .
- D. 275,917 10/1984 Einhorn .





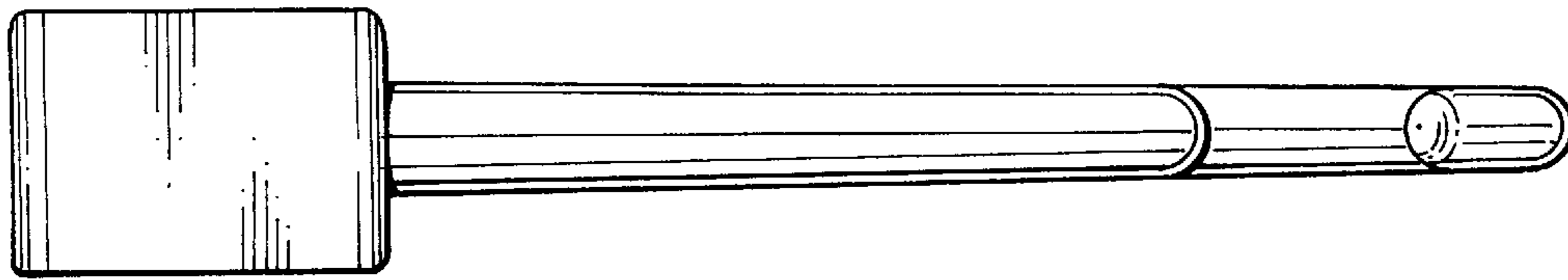


FIG. 4

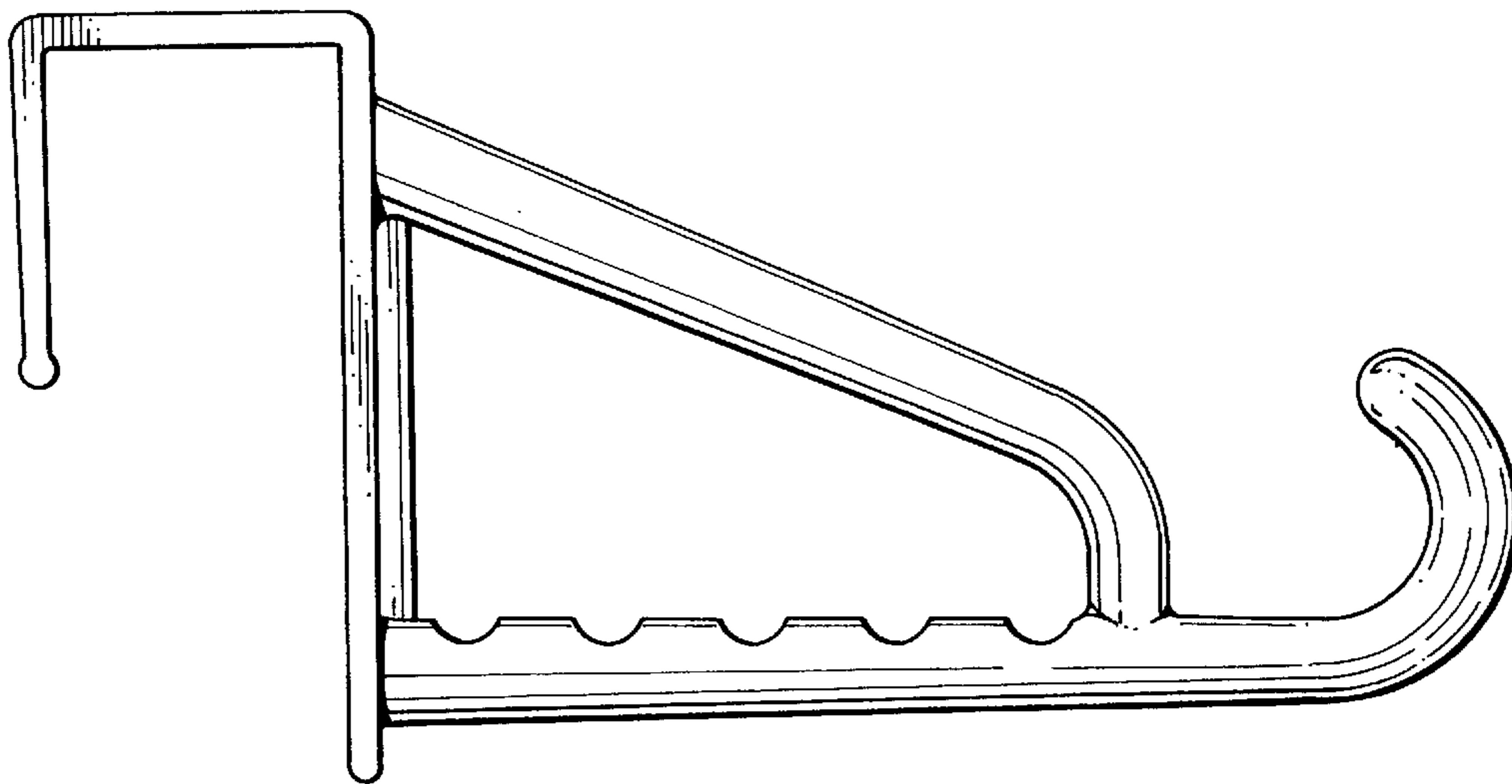


FIG. 5

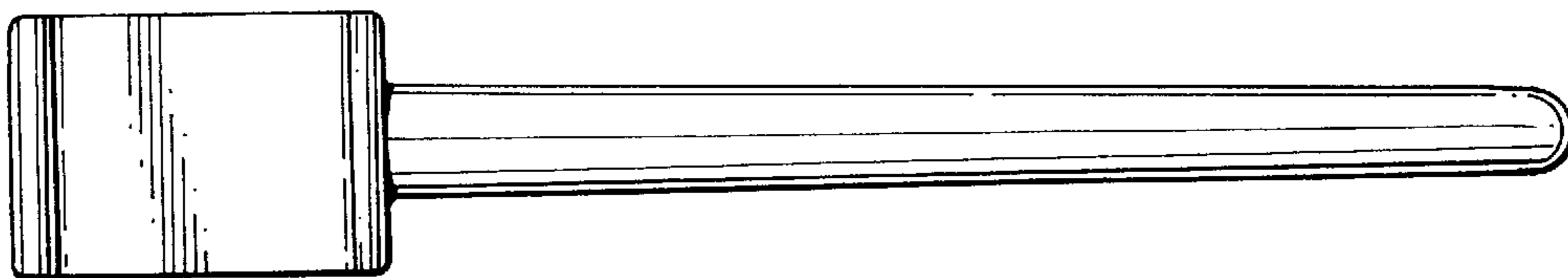


FIG. 6