



US00D411432S

**United States Patent** [19]  
**Stahel**

[11] **Patent Number: Des. 411,432**  
[45] **Date of Patent: \*\* Jun. 22, 1999**

[54] **ISO HANDLEBAR GRIP**

[75] Inventor: **Alwin Stahel**, New Brighton, Minn.

[73] Assignee: **KuryAkyn Holdings, Inc.**, Somerset, Wis.

[\*\*] Term: **14 Years**

[21] Appl. No.: **29/084,993**

[22] Filed: **Feb. 27, 1998**

[51] **LOC (6) Cl.** ..... **08-06**

[52] **U.S. Cl.** ..... **D8/303**

[58] **Field of Search** ..... D8/303, 300; 116/110 S,  
116/110 R, 111 R, DIG. 12; 74/551.8, 551.9

[56] **References Cited**

**U.S. PATENT DOCUMENTS**

D. 269,408	6/1983	Merritt	.....	D8/303
D. 320,125	9/1991	Hacker	.....	D8/303
D. 322,022	12/1991	Cunningham et al.	.....	D8/303
D. 324,634	3/1992	Chen	.....	D8/303

*Primary Examiner*—Melody N. Brown  
*Attorney, Agent, or Firm*—Hessian & McKasy, P.A.; Glen E. Schumann

[57] **CLAIM**

The ornamental design for an iso handlebar grip, as shown and described.

**DESCRIPTION**

A portion of the disclosure of this patent document contains material to which a claim for copyright is made. The copyright owner has no objection to the facsimile reproduction by anyone of the patent document or the patent disclosure, as it appears in the Patent and Trademark Office patent file or records, but reserves all other copyright rights whatsoever.

FIG. 1 is a view in perspective as seen from the top and one end of a "Iso handlebar grip" showing our new design;

FIG. 2 is a end elevation view as seen from the end shown in FIG. 1;

FIG. 3 is a end elevation view as seen from the end opposite that shown in FIG. 1;

FIG. 4 is a side elevation view as seen from left to right of FIG. 2;

FIG. 5 is a top plan view;

FIG. 6 is a side elevation view as seen from the side opposite that shown in FIG. 4; and,

FIG. 7 is a bottom plan view.

**1 Claim, 3 Drawing Sheets**

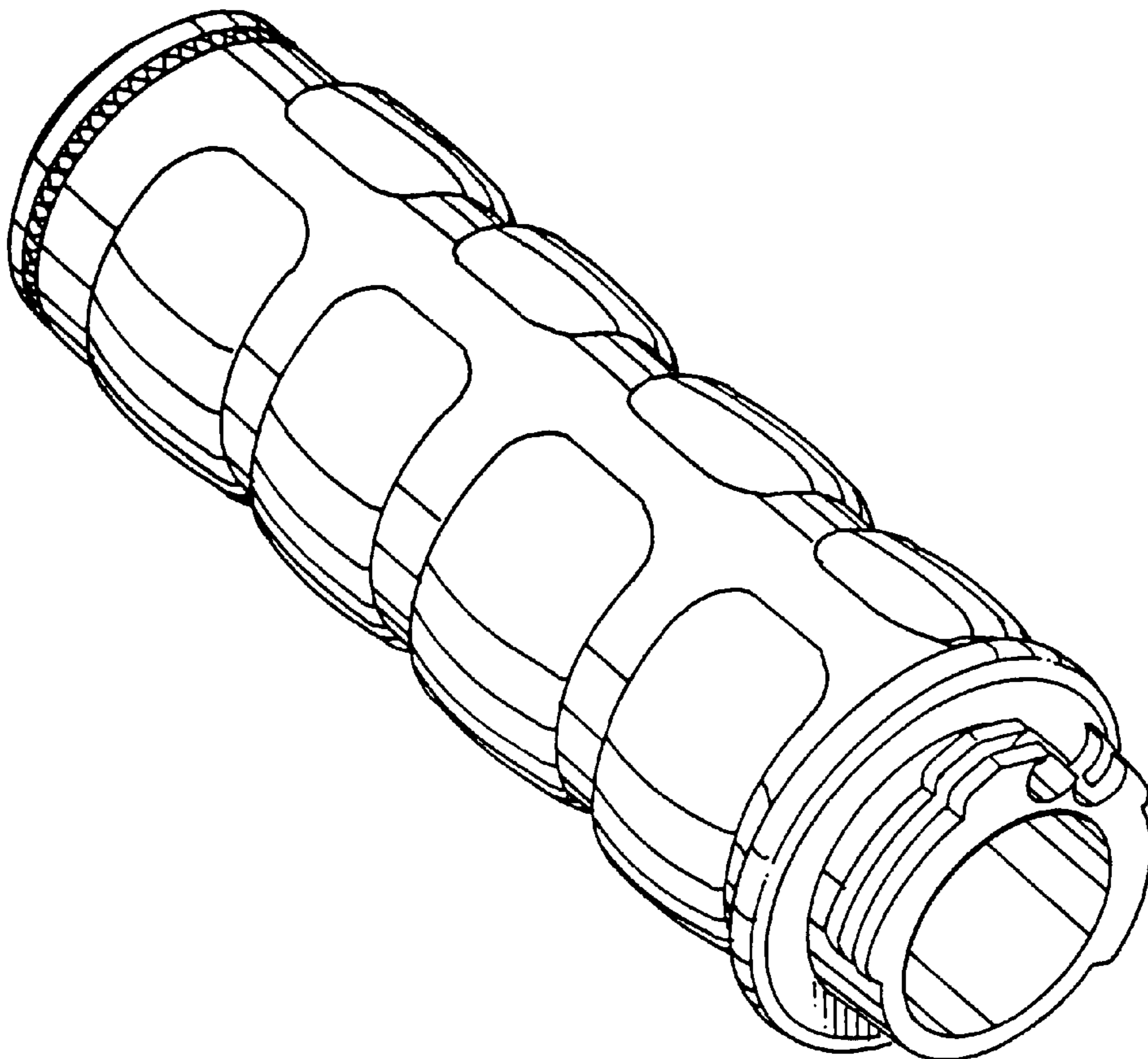


FIG. 1

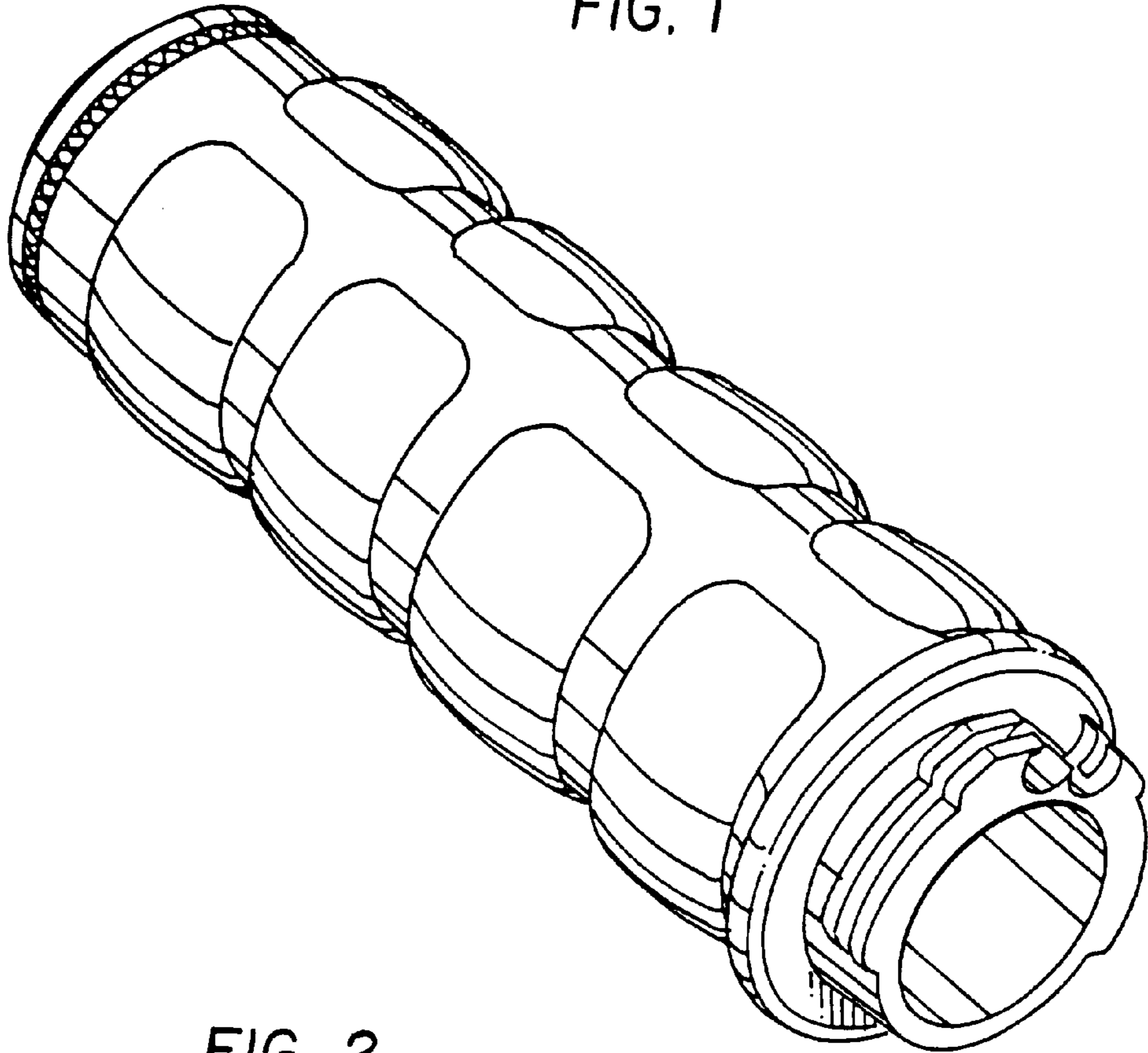


FIG. 2

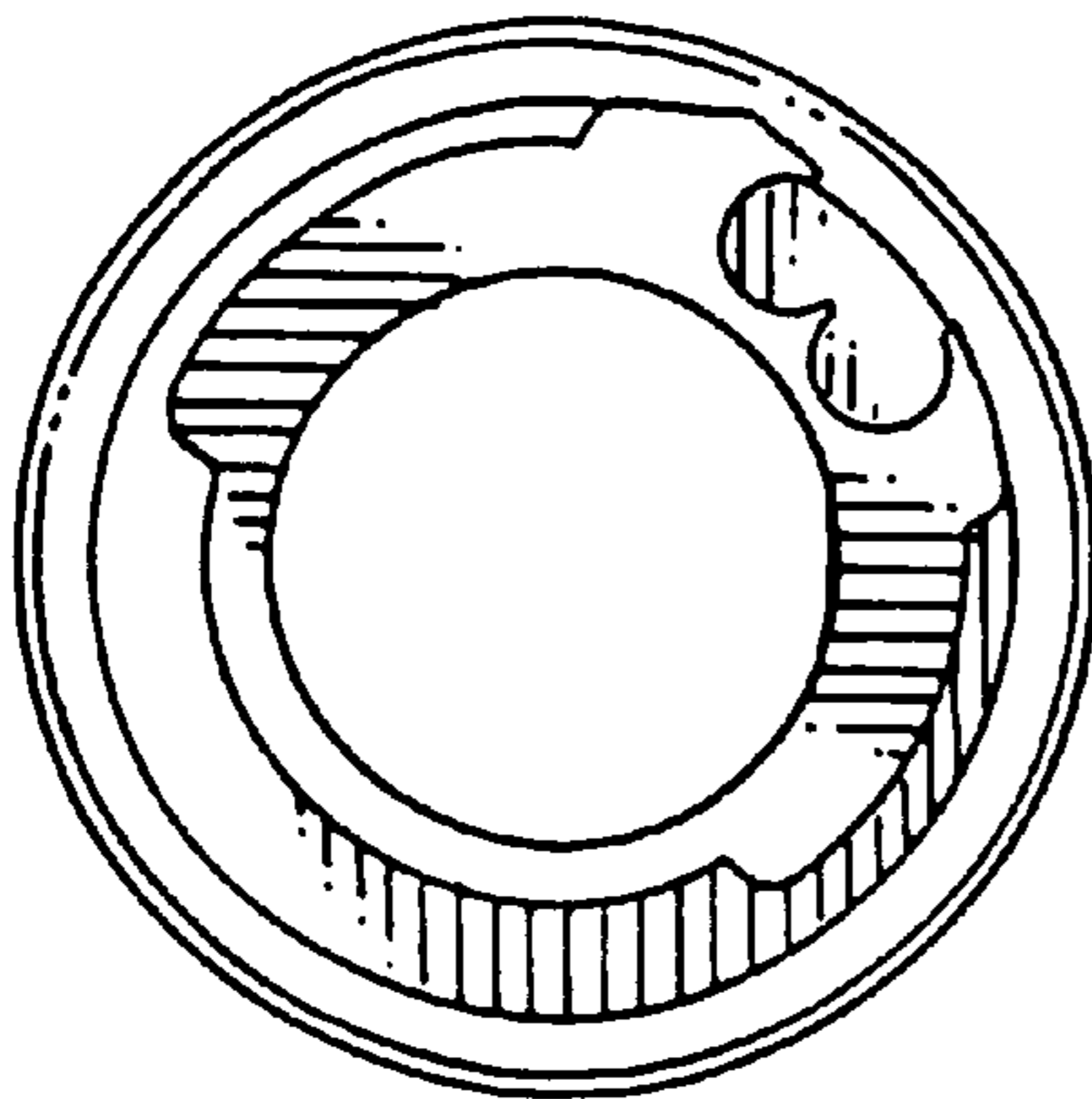


FIG. 3

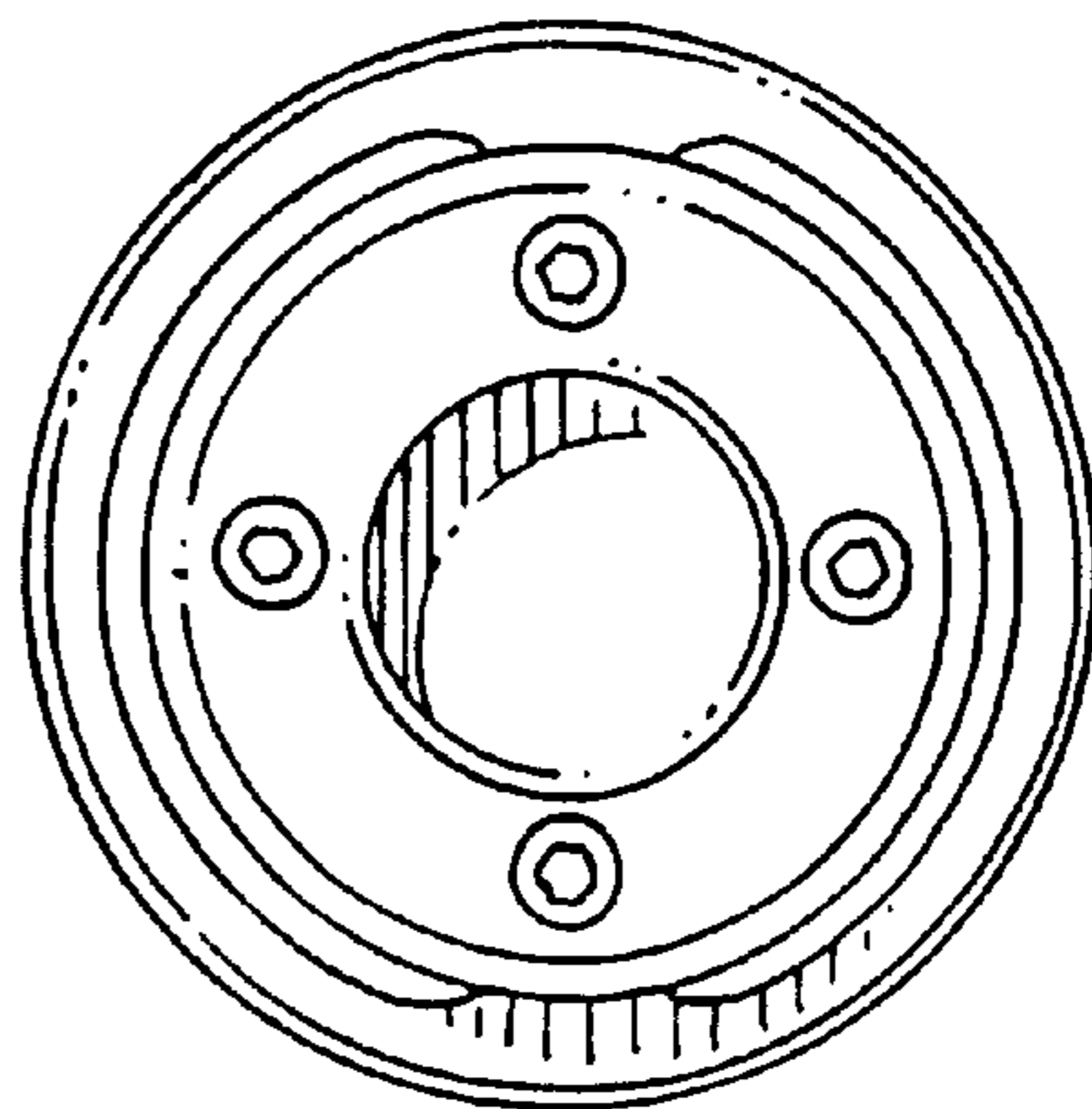


FIG. 4

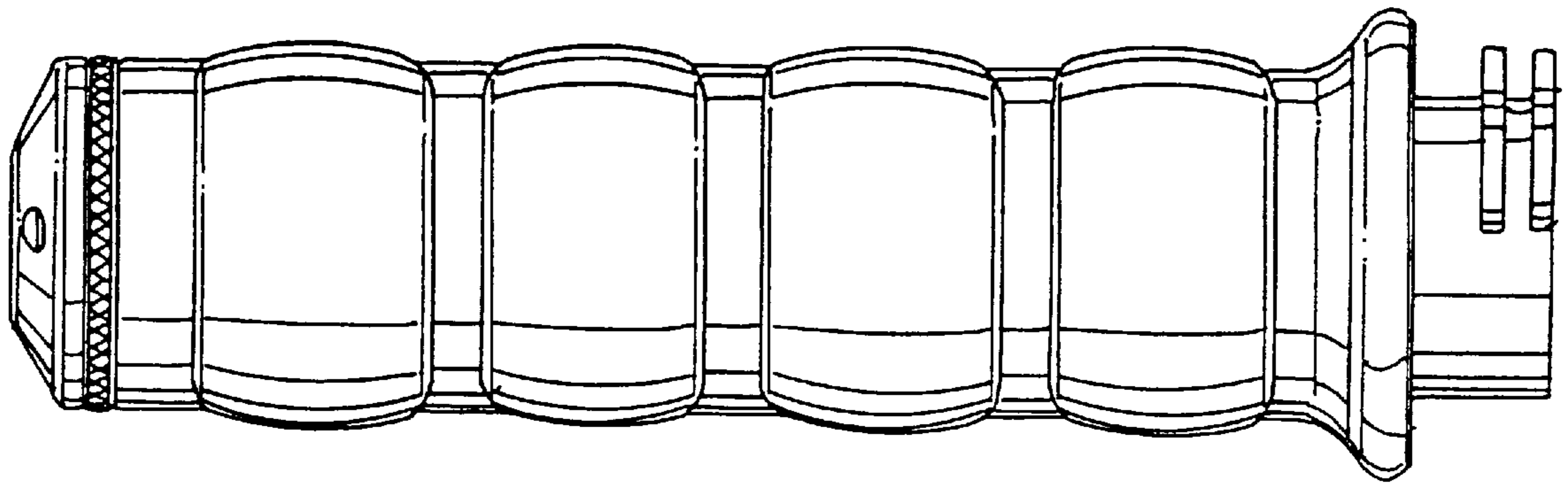


FIG. 5

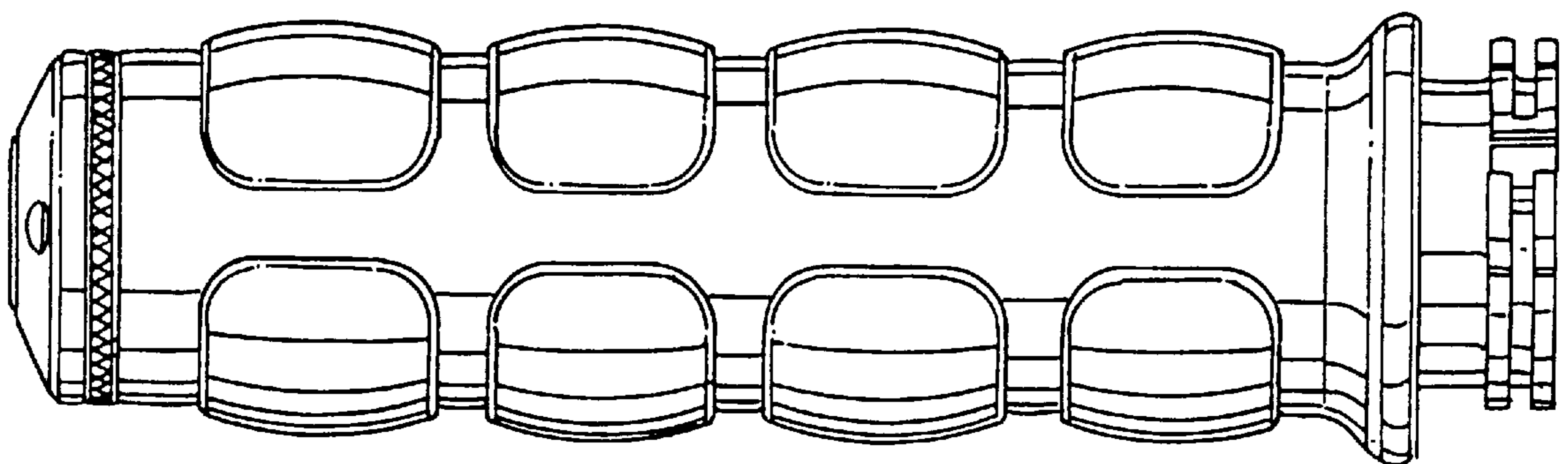


FIG. 6

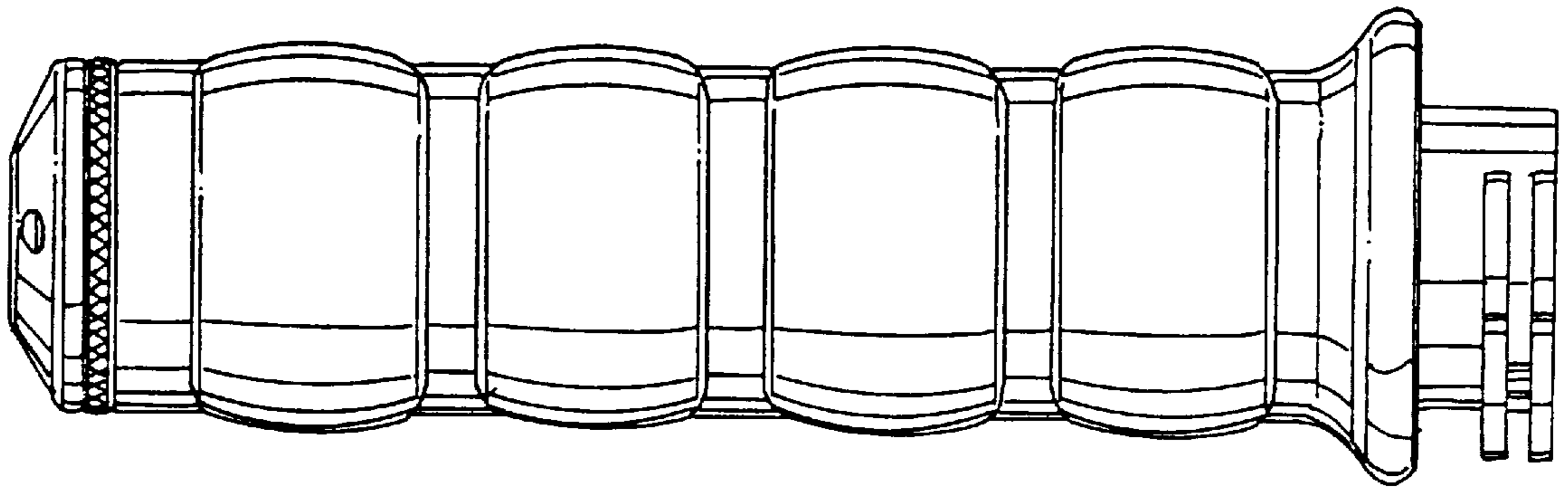


FIG. 7

