



US00D411429S

United States Patent [19] Gringer

[11] **Patent Number: Des. 411,429**

[45] **Date of Patent: ** Jun. 22, 1999**

[54] **FOLDING POCKET SAW**

[75] Inventor: **Donald Gringer**, County of New York, N.Y.

[73] Assignee: **Allway Tools, Inc.**, Bronx, N.Y.

[**] Term: **14 Years**

[21] Appl. No.: **29/090,379**

[22] Filed: **Jul. 7, 1998**

[51] **LOC (6) Cl.** **08-03**

[52] **U.S. Cl.** **D8/95; D8/99**

[58] **Field of Search** D8/95, 96, 97,
D8/98, 99, 105, 107; 30/166.3, 162, 155,
156, 517, 515, 519, 125

[56] **References Cited**

U.S. PATENT DOCUMENTS

D. 306,817	3/1990	McMorrough	D8/99
D. 307,702	5/1990	Hsu	D8/99
D. 357,166	4/1995	Concari	D8/99
D. 397,281	8/1998	Hsu et al.	D8/99
4,627,165	12/1986	Gibson	30/166.3
4,890,387	1/1990	Canino	30/162
5,661,908	9/1997	Chen	30/161

Primary Examiner—Philip S. Hyder

Attorney, Agent, or Firm—David M. Klein; Shearman & Sterling

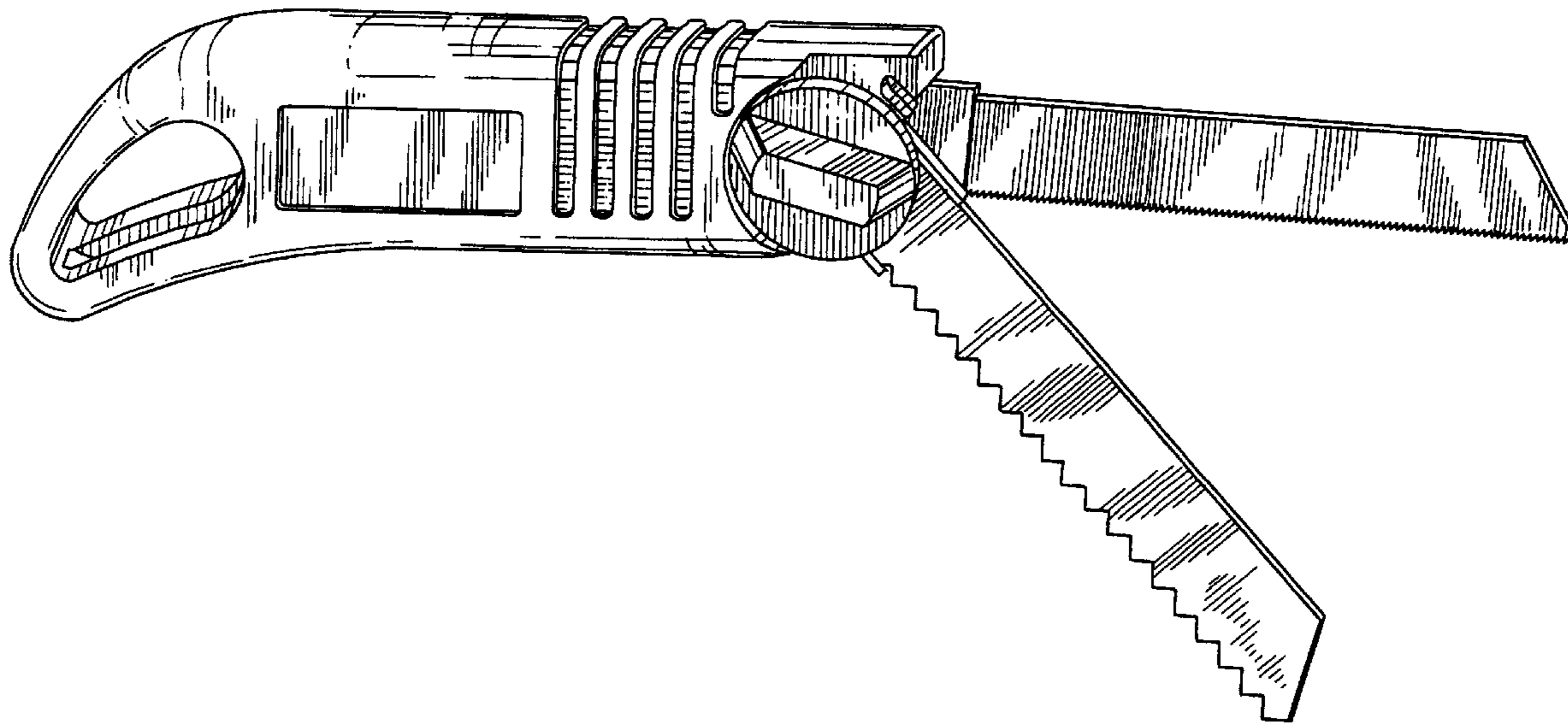
[57] **CLAIM**

The ornamental design for a folding pocket saw, as shown and described.

DESCRIPTION

FIG. 1 is a perspective view of the folding pocket saw design of the invention;
 FIG. 2 is a left side view of the folding pocket saw design shown in FIG. 1;
 FIG. 3 is a right side view of the folding pocket saw design shown in FIG. 1;
 FIG. 4 is a bottom view of the folding pocket saw design shown in FIG. 1;
 FIG. 5 is a top view of the folding pocket saw design shown in FIG. 1;
 FIG. 6 is an end view of the folding pocket saw design with one blade in a partially open position and the other blade in a storage position;
 FIG. 7 is an opposite end view of the folding pocket saw design with one blade in a partially open position and the other blade in a storage position; and,
 FIG. 8 is a perspective view of the folding pocket saw design with both blades in a storage position.

1 Claim, 6 Drawing Sheets



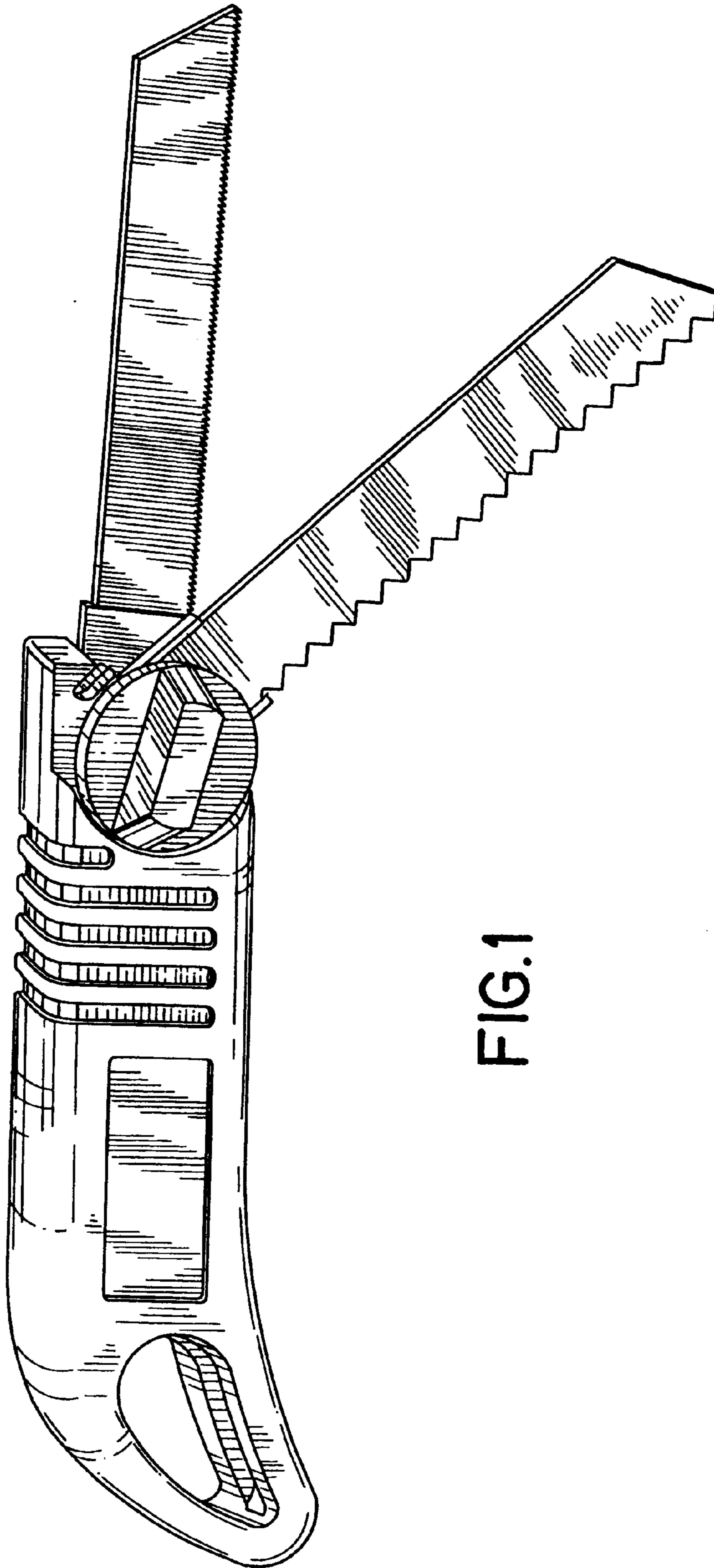


FIG. 1

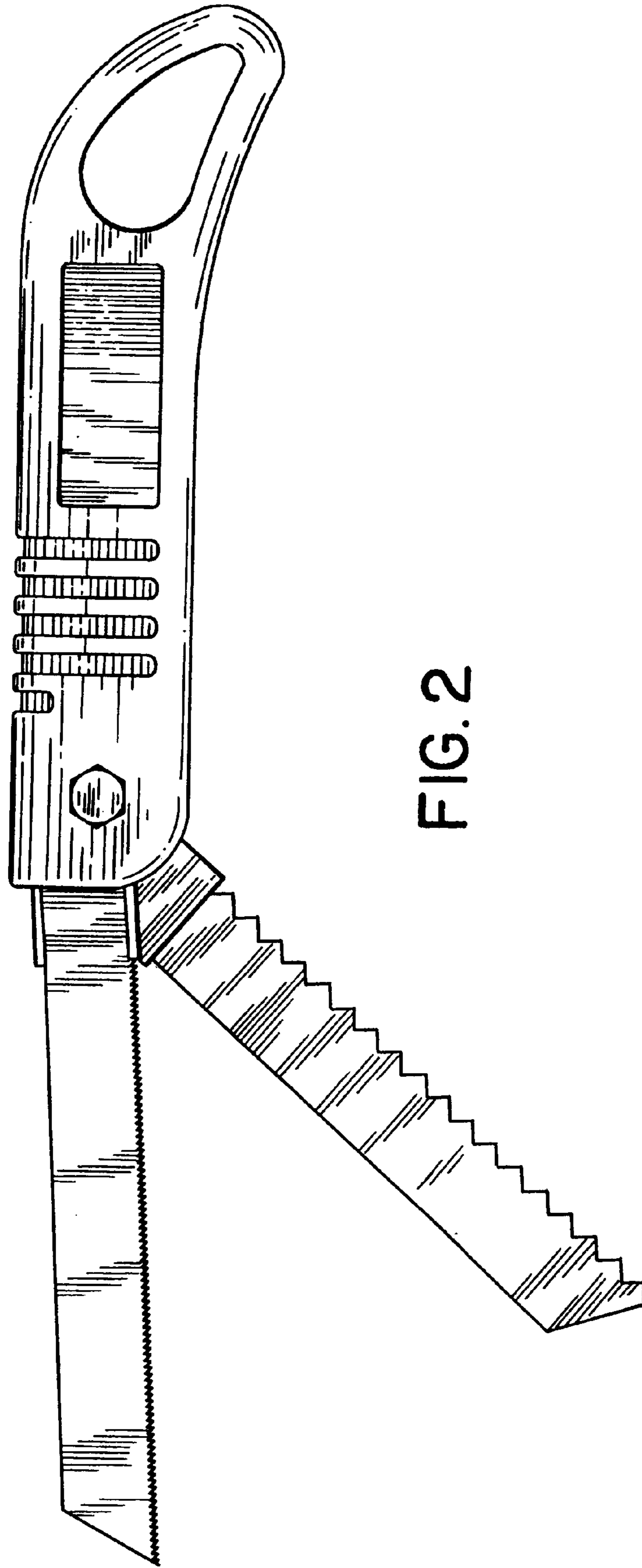


FIG. 2

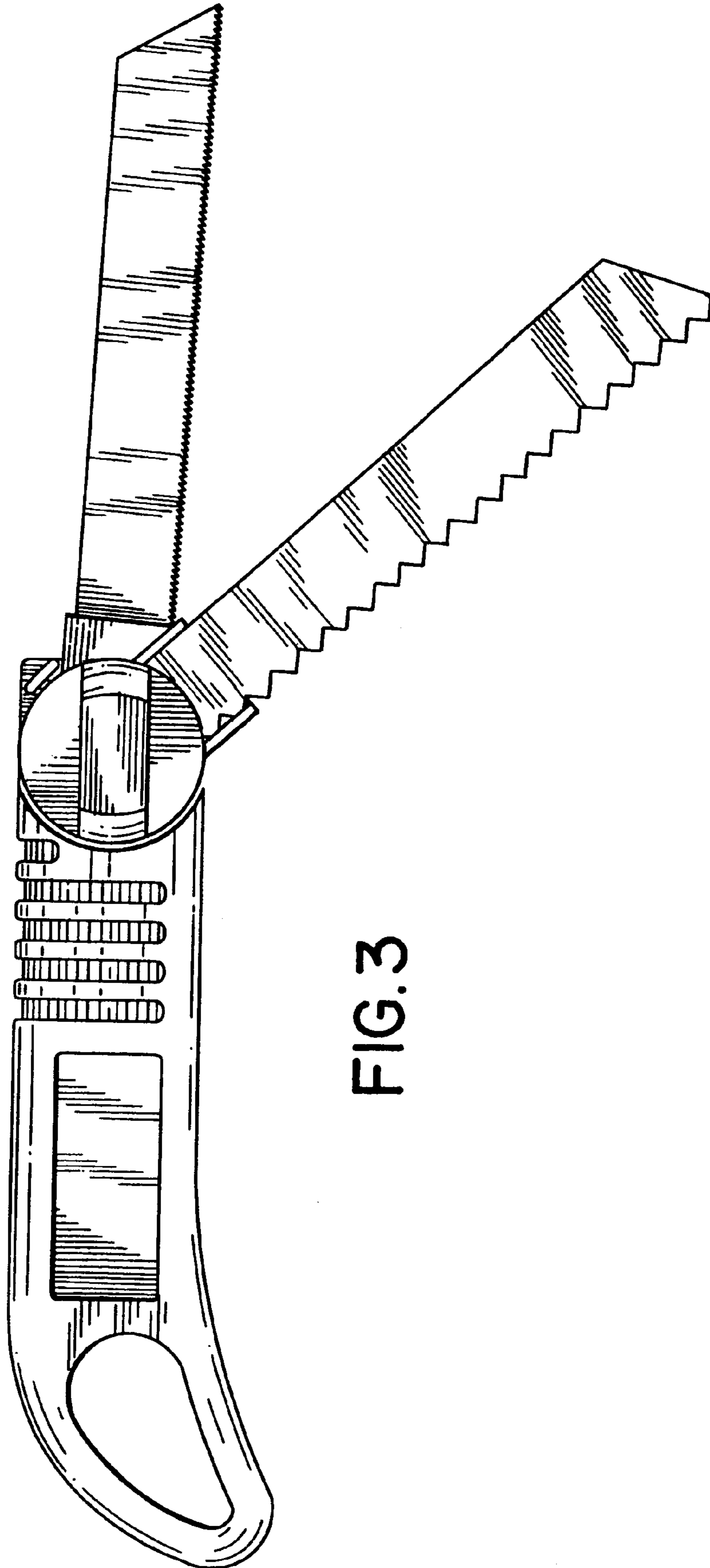


FIG. 3

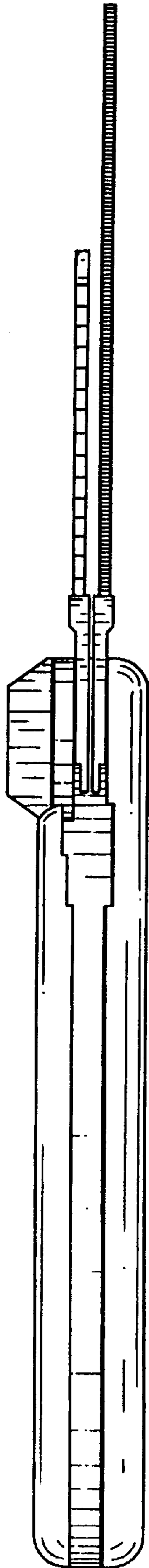


FIG. 4

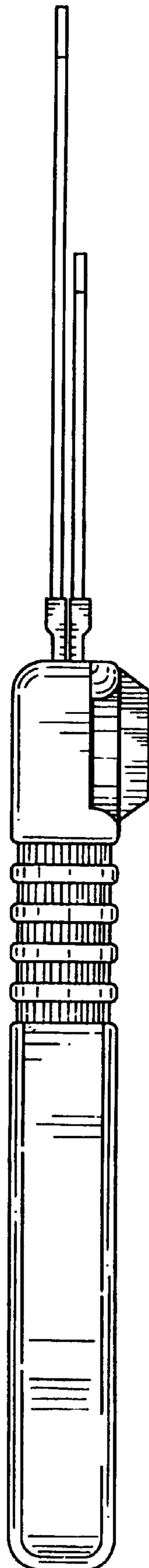


FIG. 5

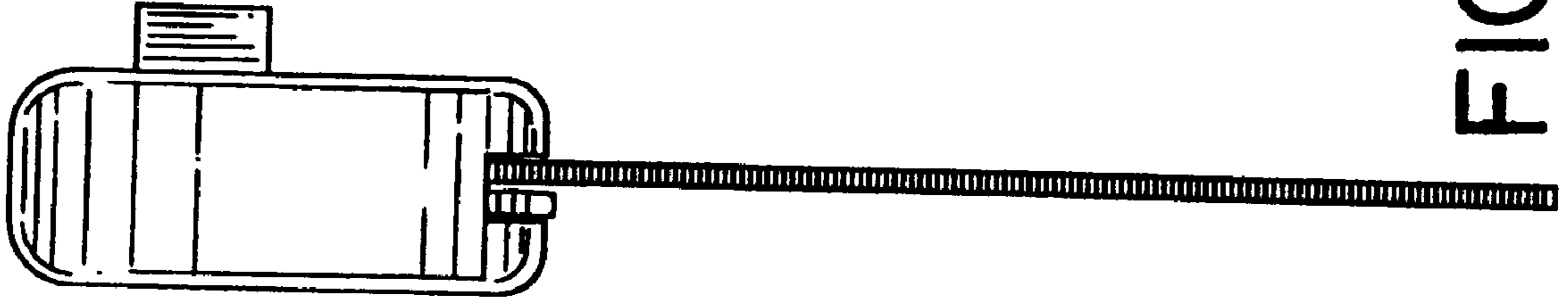


FIG. 7

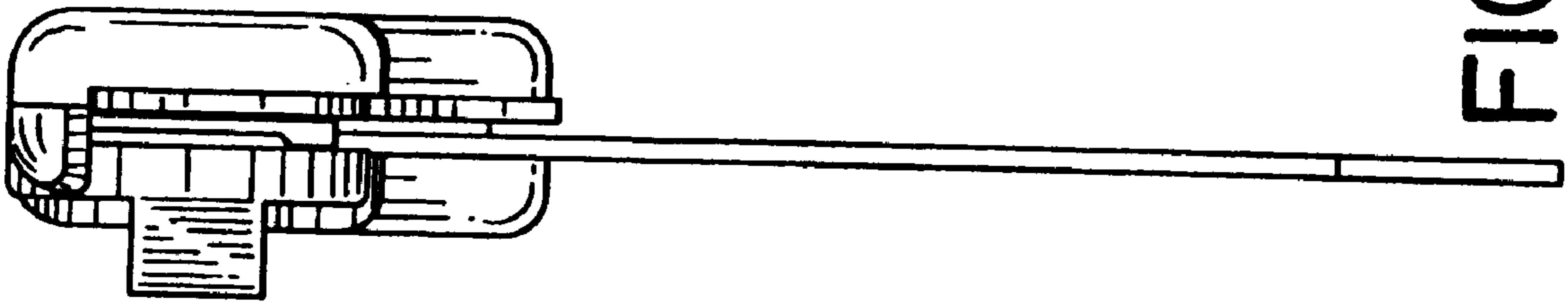


FIG. 6

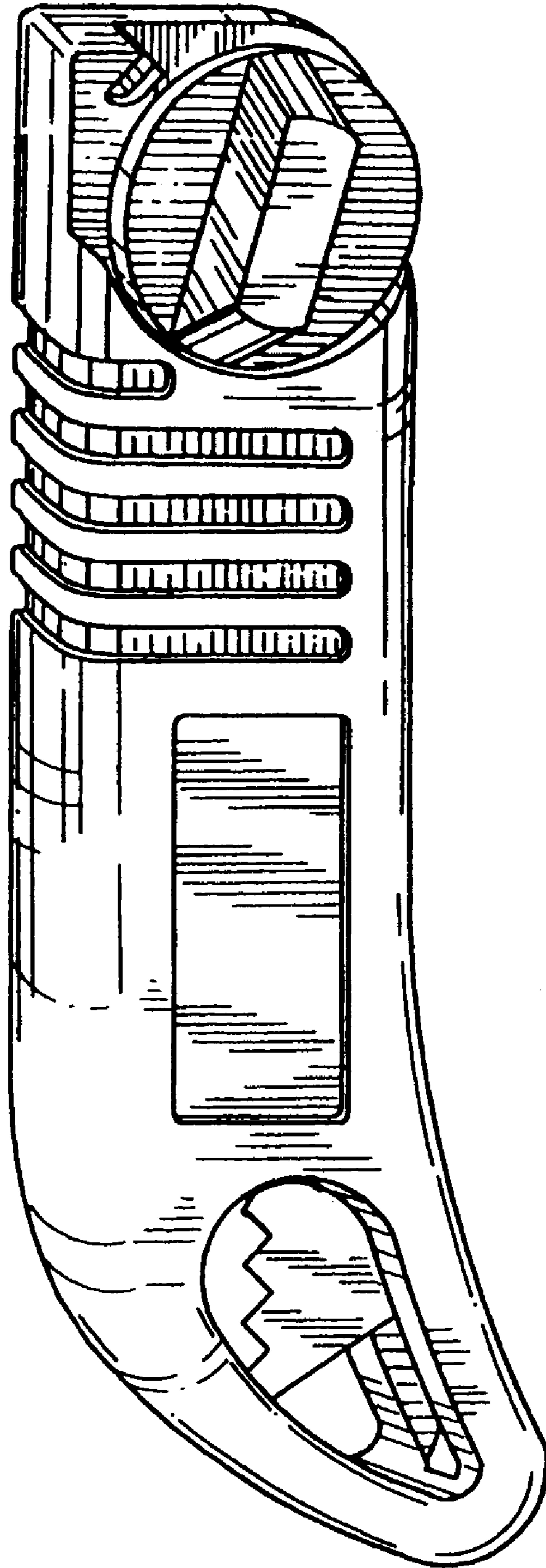


FIG. 8