



US00D411427S

United States Patent [19]
Nakayama

[11] **Patent Number: Des. 411,427**
[45] **Date of Patent: ** Jun. 22, 1999**

[54] **CLAW HAMMER HEAD**

[76] Inventor: **Toshiro Nakayama**, 2 Saddlehorn La.,
Rolling Hills Estates, Calif. 90274

[**] Term: **14 Years**

[21] Appl. No.: **29/088,236**

[22] Filed: **May 19, 1998**

[51] **LOC (6) Cl.** **08-02**

[52] **U.S. Cl.** **D8/78; D8/79**

[58] **Field of Search** D8/75, 76, 77,
D8/78, 79, 80, 81; 81/20, 21, 22, 23, 24,
25

[56] **References Cited**

U.S. PATENT DOCUMENTS

- D. 35,290 11/1901 MacDermott D8/79
- D. 45,690 4/1914 Fleischauer et al. D8/79
- D. 140,821 4/1945 MacWithey D8/79

- D. 141,552 6/1945 Grundstrom D8/79
- D. 246,948 1/1978 Cunningham D8/79
- D. 369,734 5/1996 Sanger D8/79

Primary Examiner—Philip S. Hyder
Attorney, Agent, or Firm—Nikaido, Marmelstein, Murray &
Oram LLP

[57] **CLAIM**

The ornamental design for a claw hammer head, as shown
and described.

DESCRIPTION

FIG. 1 is a right side view, the left side view being the mirror
image thereof, showing my new design;
FIG. 2 is a top plan view thereof;
FIG. 3 is a bottom perspective view thereof;
FIG. 4 is a front view thereof; and,
FIG. 5 is a rear view thereof.

1 Claim, 2 Drawing Sheets

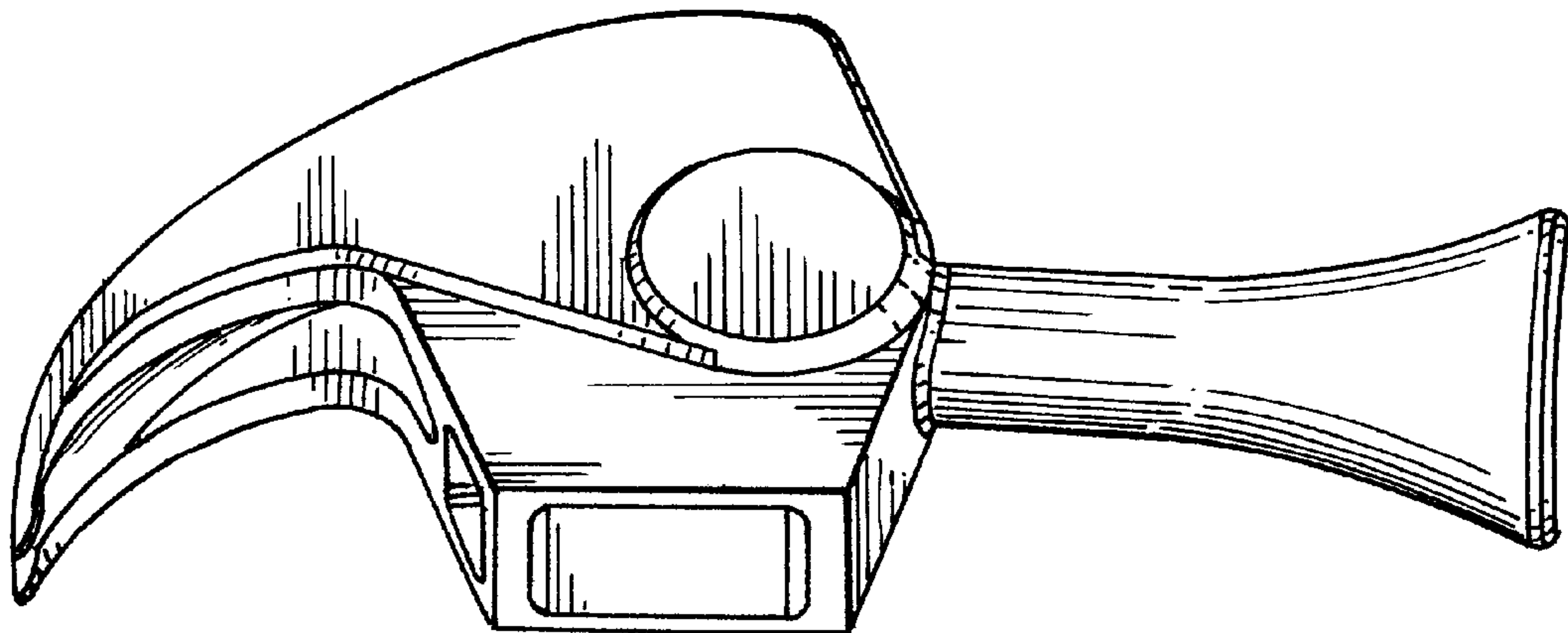


Fig. 1

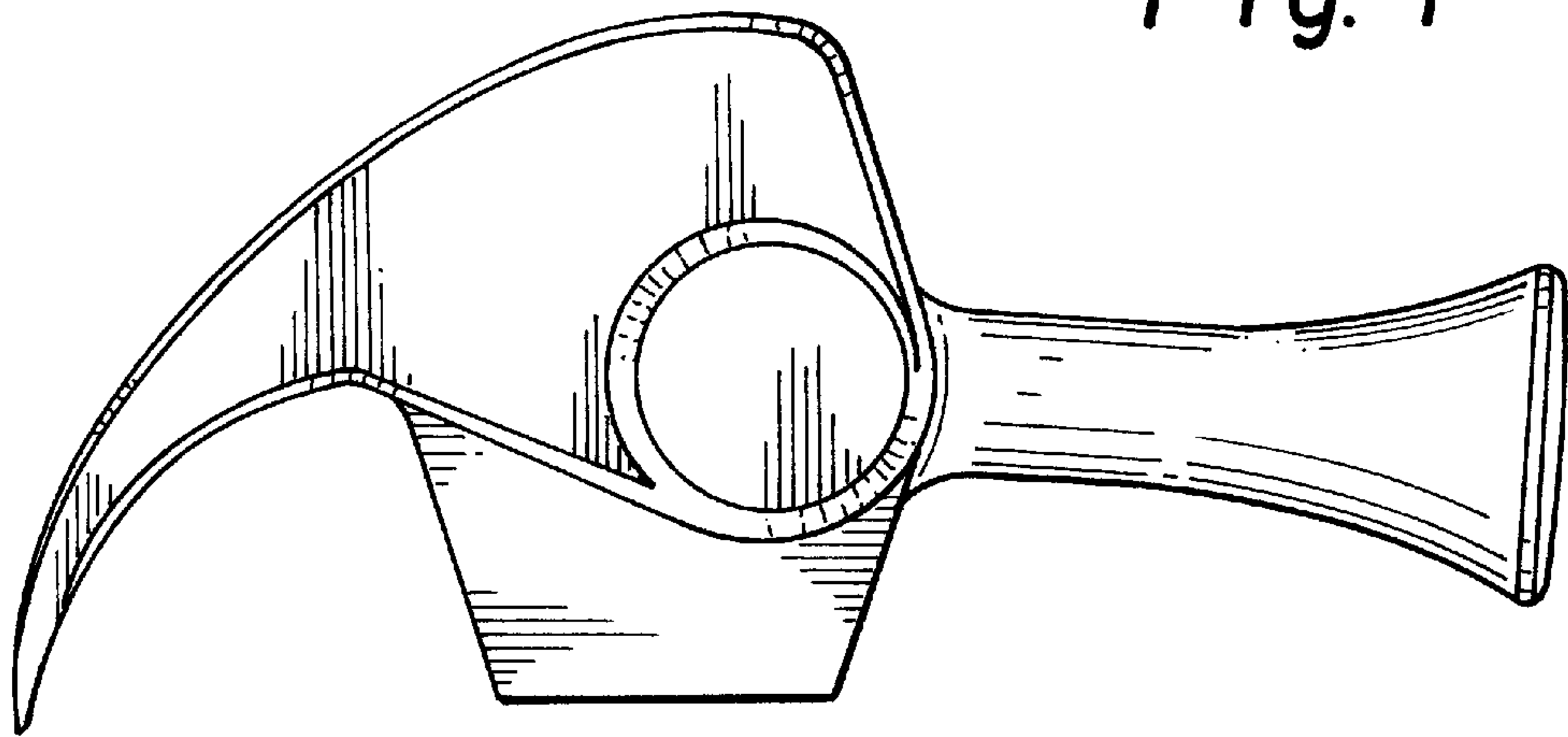


Fig. 2

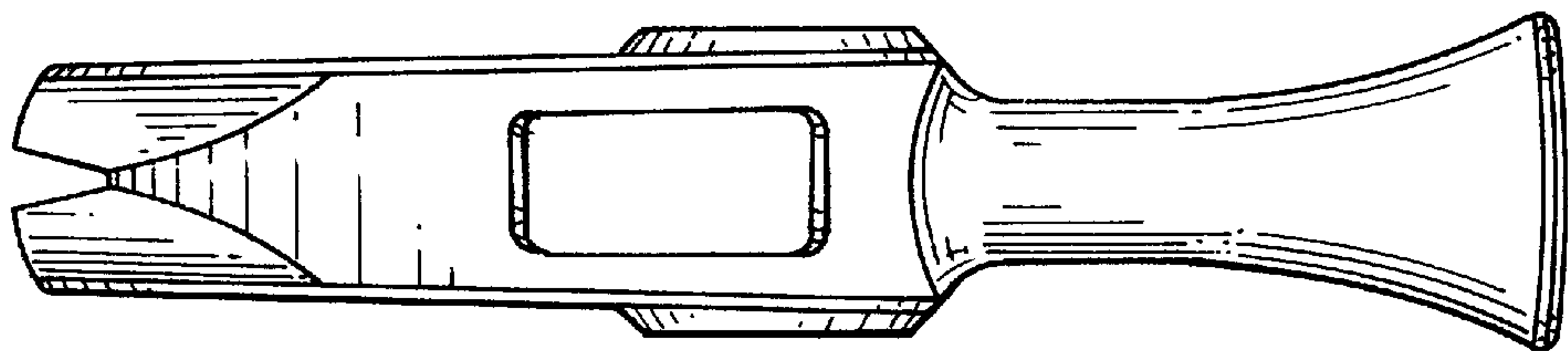


Fig. 3

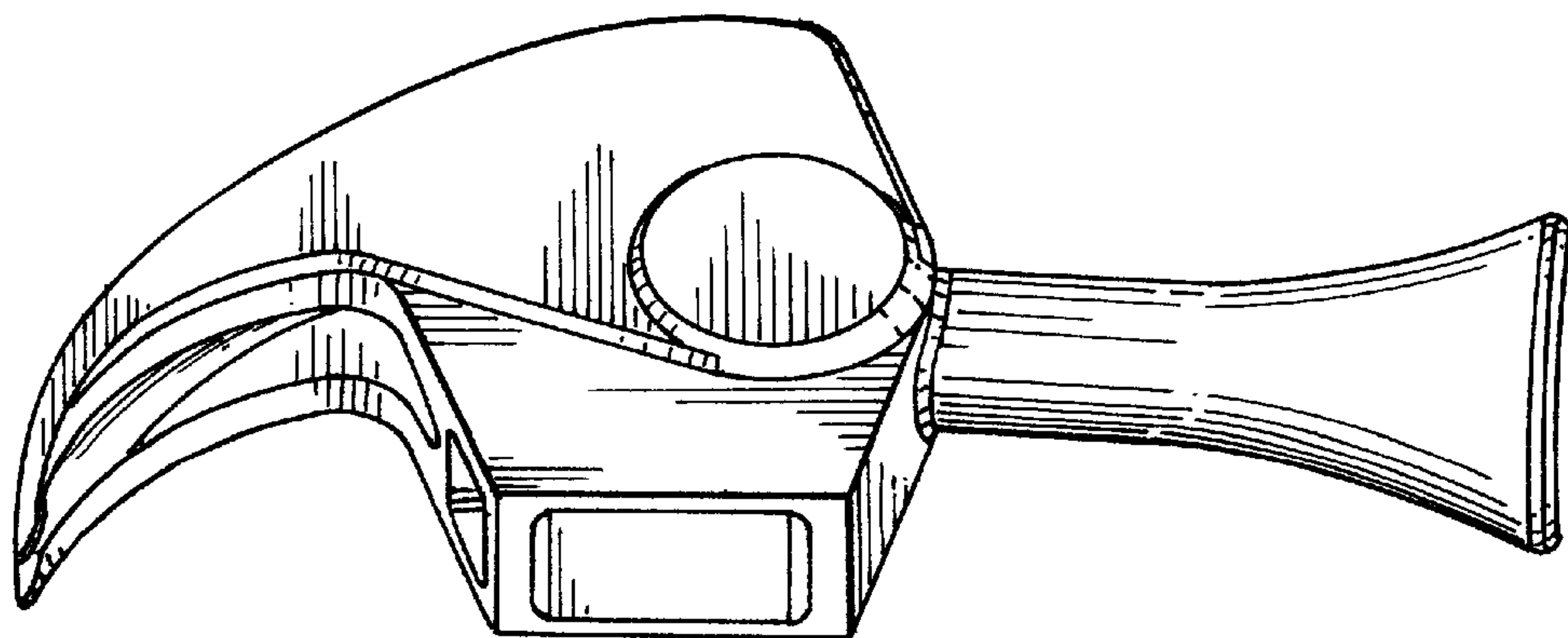


Fig. 4

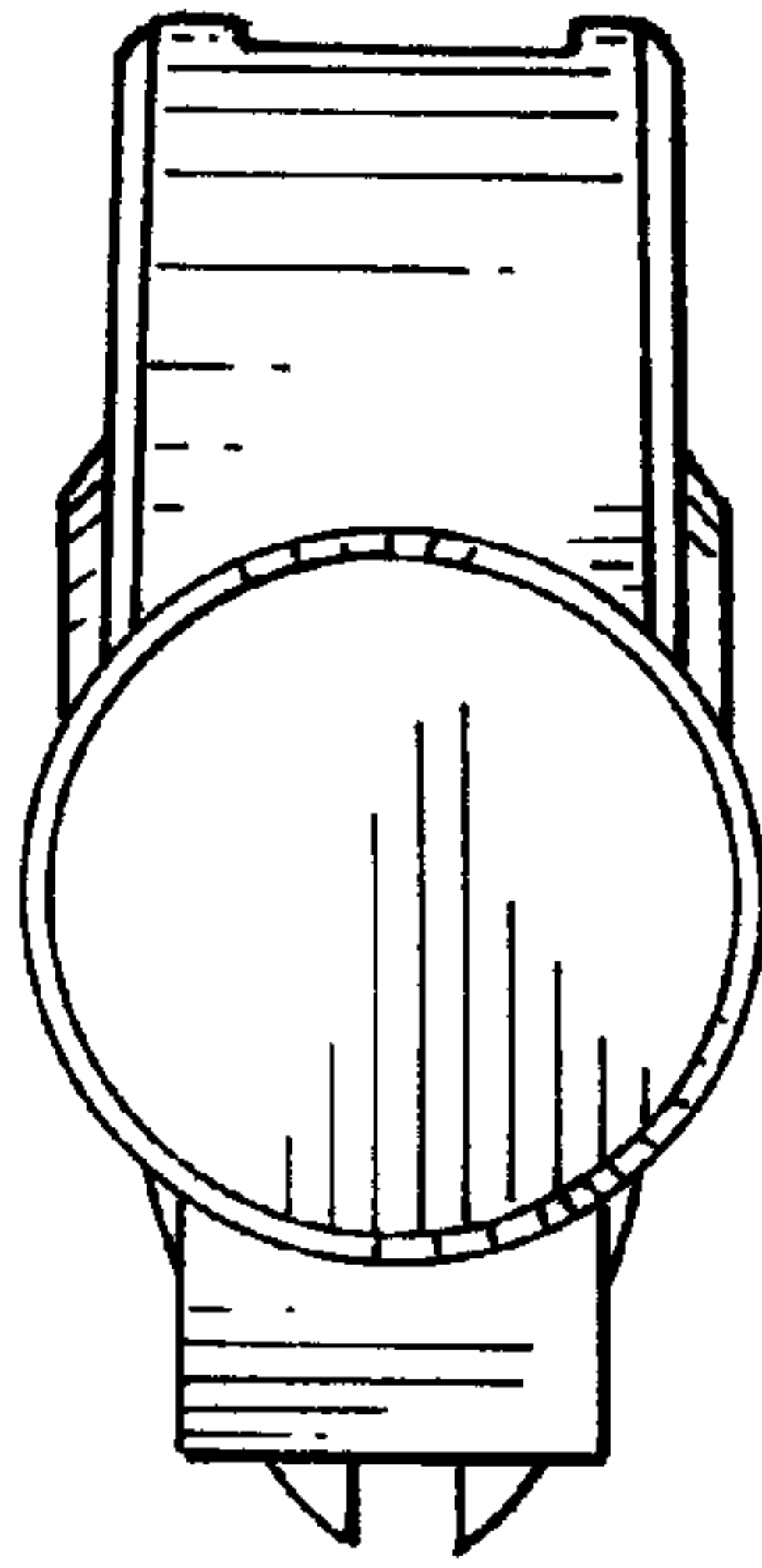


Fig. 5

