



US00D411426S

United States Patent [19] Morita

[11] Patent Number: Des. 411,426

[45] Date of Patent: ** Jun. 22, 1999

[54] SPIKE PULLER

[75] Inventor: Ko Morita, Ayase, Japan

[73] Assignee: Kabushiki Kaisha Ogura, Japan

[**] Term: 14 Years

[21] Appl. No.: 29/087,497

[22] Filed: May 4, 1998

[30] Foreign Application Priority Data

Nov. 17, 1997	[JP]	Japan	9-75348
Nov. 17, 1997	[JP]	Japan	9-75349
Nov. 17, 1997	[JP]	Japan	9-75350

[51] LOC (6) Cl. 08-05

[52] U.S. Cl. D8/69; D8/61; D8/67

[58] Field of Search D8/61, 68, 69,
D8/67; 254/18, 43

[56] References Cited

U.S. PATENT DOCUMENTS

D. 77,676	2/1929	Decker .	
D. 77,937	3/1929	Decker .	
D. 292,368	10/1987	Mikiya D8/61
D. 336,228	6/1993	Anderson D8/61
D. 343,345	1/1994	Ogawa D8/69
D. 389,028	1/1998	Muro D8/68
3,249,334	5/1966	Shepherd .	
3,978,576	9/1976	Mustoe 254/18
4,078,766	3/1978	Saurwein 254/18
4,464,995	8/1984	Nameny .	
4,538,793	9/1985	Dieringer 254/18

Primary Examiner—Nelson C. Holtje

Attorney, Agent, or Firm—Adams & Wilks

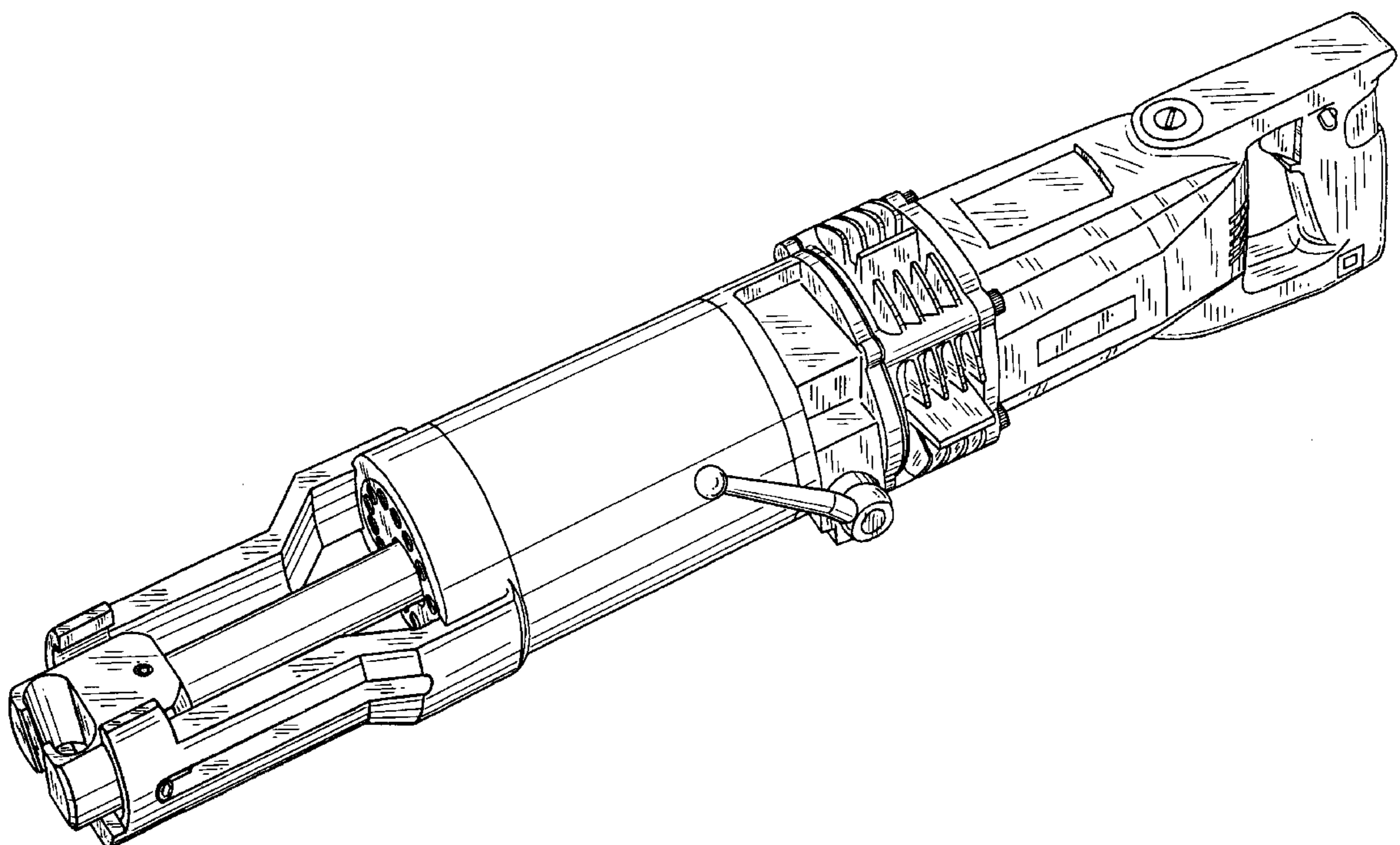
[57] CLAIM

The ornamental design for a spike puller, as shown and described.

DESCRIPTION

FIG. 1 is a perspective view of a spike puller showing my new design;
 FIG. 2 is a front elevational view thereof;
 FIG. 3 is a rear elevational view thereof;
 FIG. 4 is a top plan view thereof;
 FIG. 5 is a bottom plan view thereof;
 FIG. 6 is a right side elevational view thereof;
 FIG. 7 is a left side view thereof;
 FIG. 8 is a perspective view of a second embodiment thereof;
 FIG. 9 is a front elevational view of the second embodiment;
 FIG. 10 is a rear elevational view of the second embodiment;
 FIG. 11 is a top plan view of the second embodiment;
 FIG. 12 is a bottom plan view of the second embodiment;
 FIG. 13 is a right side elevational view of the second embodiment;
 FIG. 14 is a left side elevational view of the second embodiment;
 FIG. 15 is a perspective view of a third embodiment thereof;
 FIG. 16 is a front elevational view of the third embodiment;
 FIG. 17 is a rear elevational view of the third embodiment;
 FIG. 18 is a top plan view of the third embodiment;
 FIG. 19 is a bottom plan view of the third embodiment;
 FIG. 20 is a right side elevational view of the third embodiment; and,
 FIG. 21 is a left side view of the third embodiment.

1 Claim, 13 Drawing Sheets



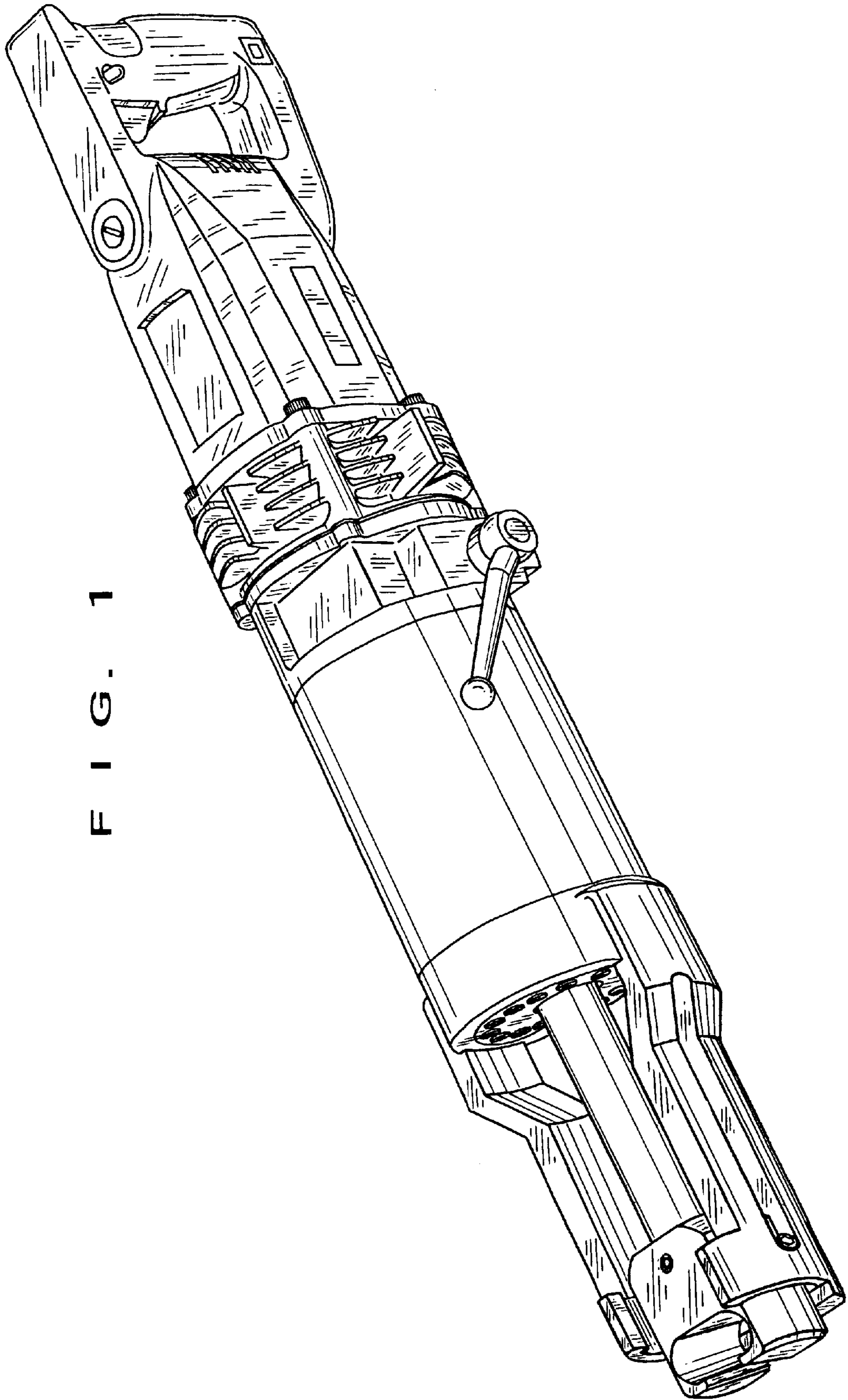


FIG. 1

FIG. 2

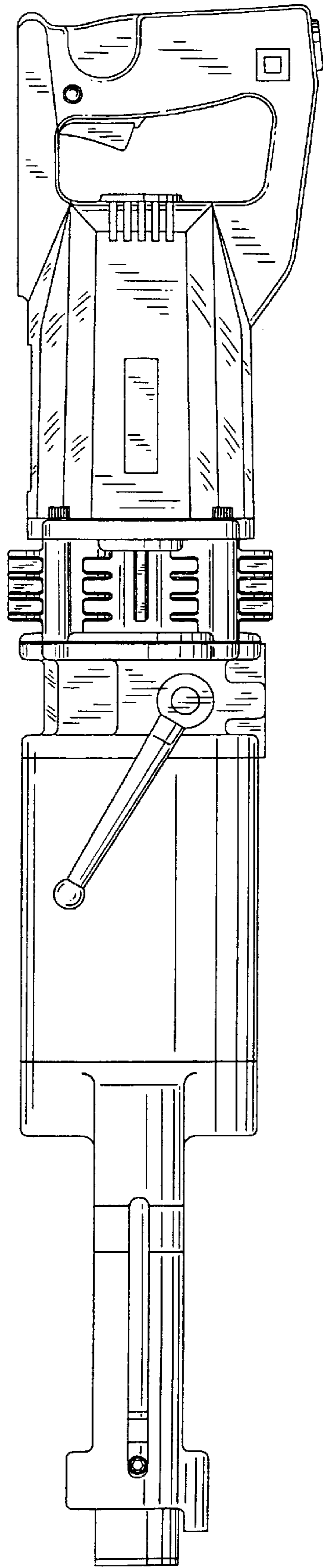


FIG. 3

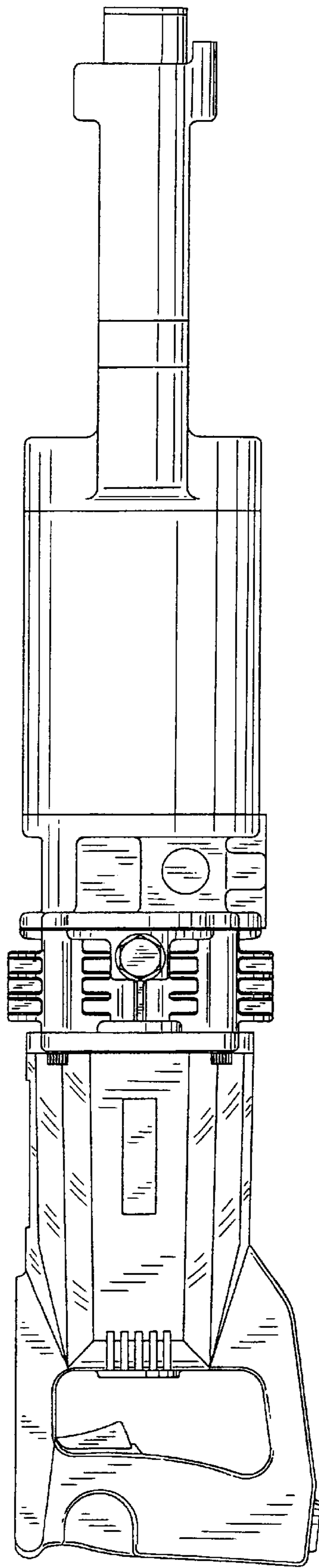


FIG. 4

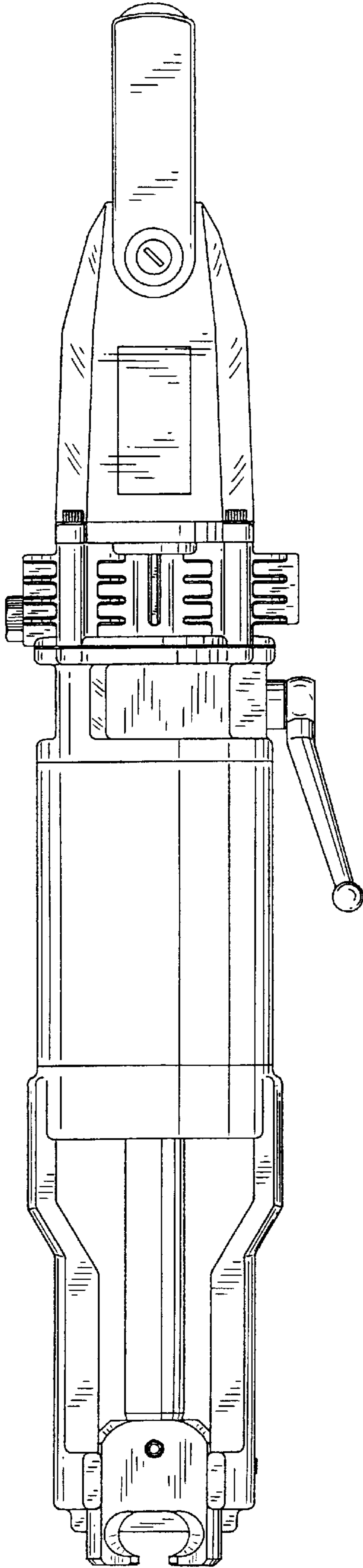


FIG. 5

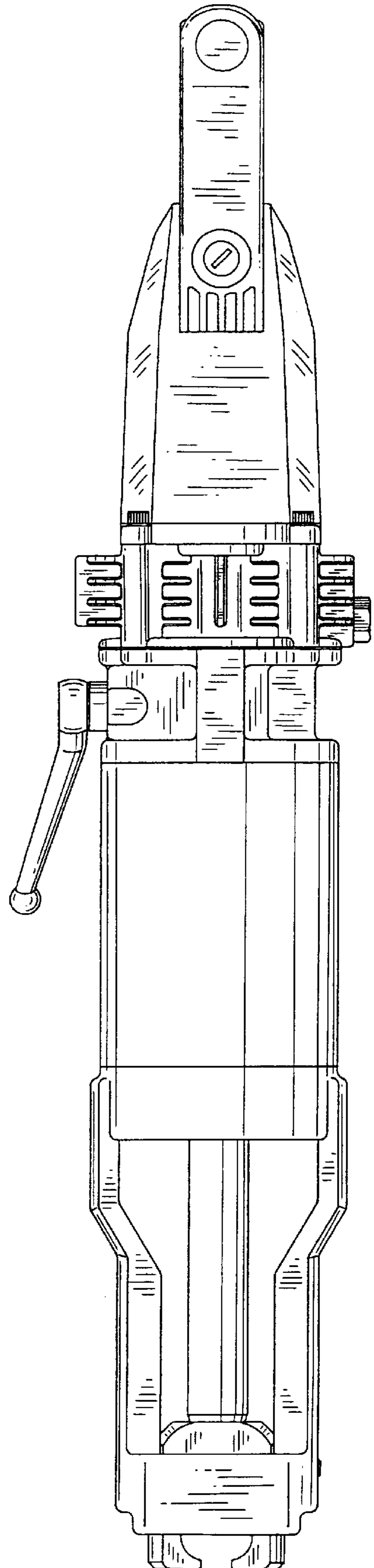


FIG. 7

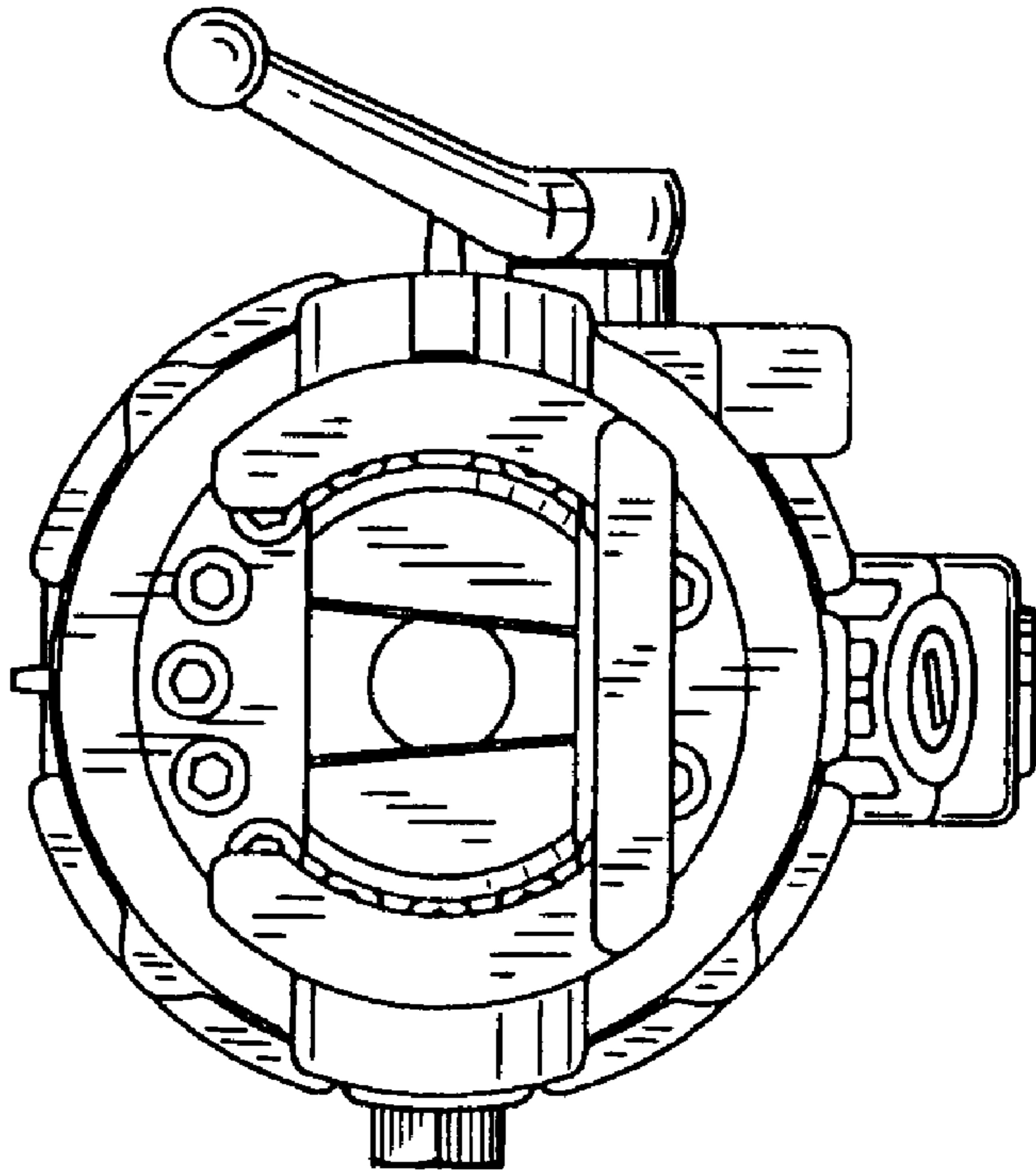
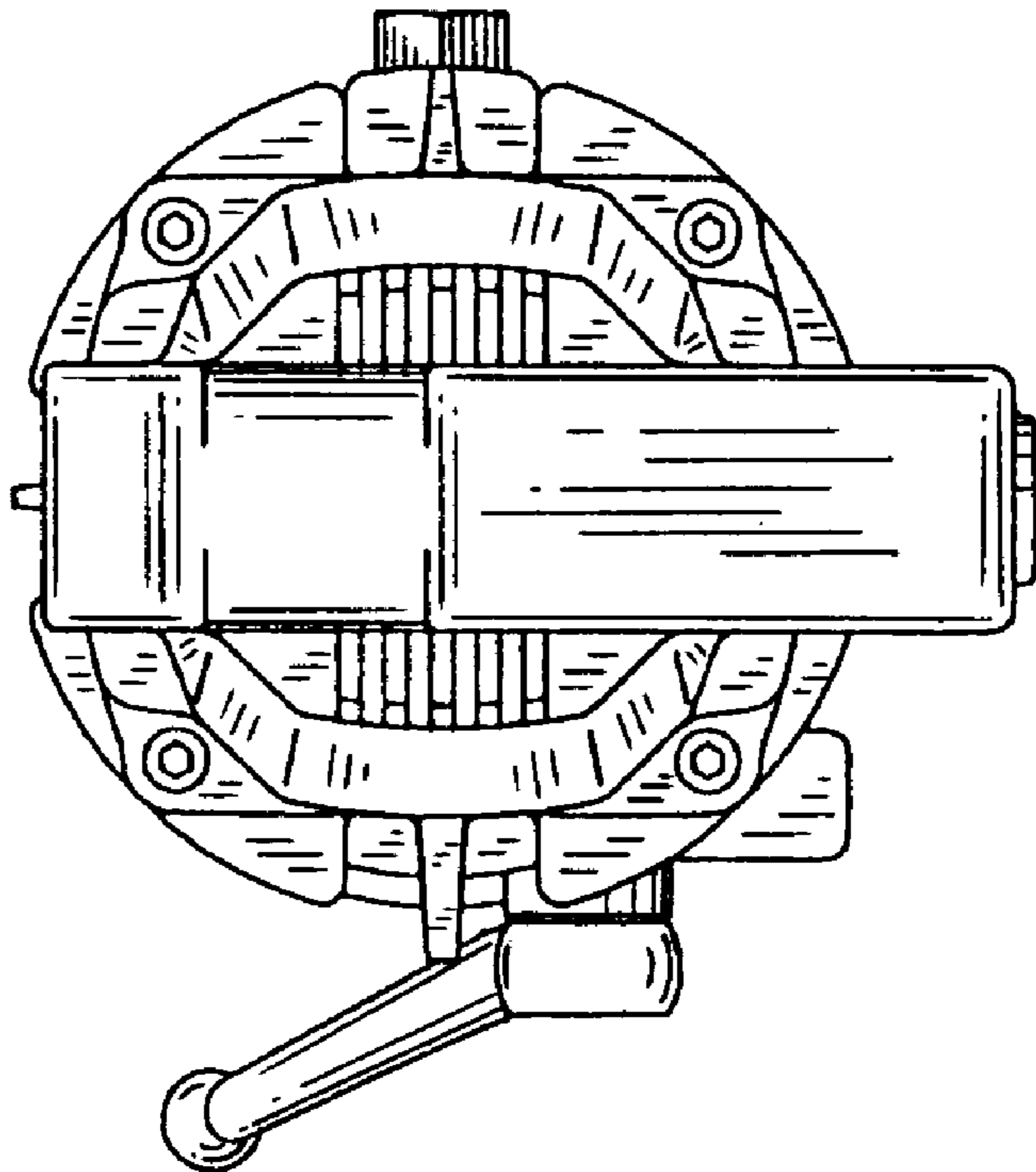


FIG. 6



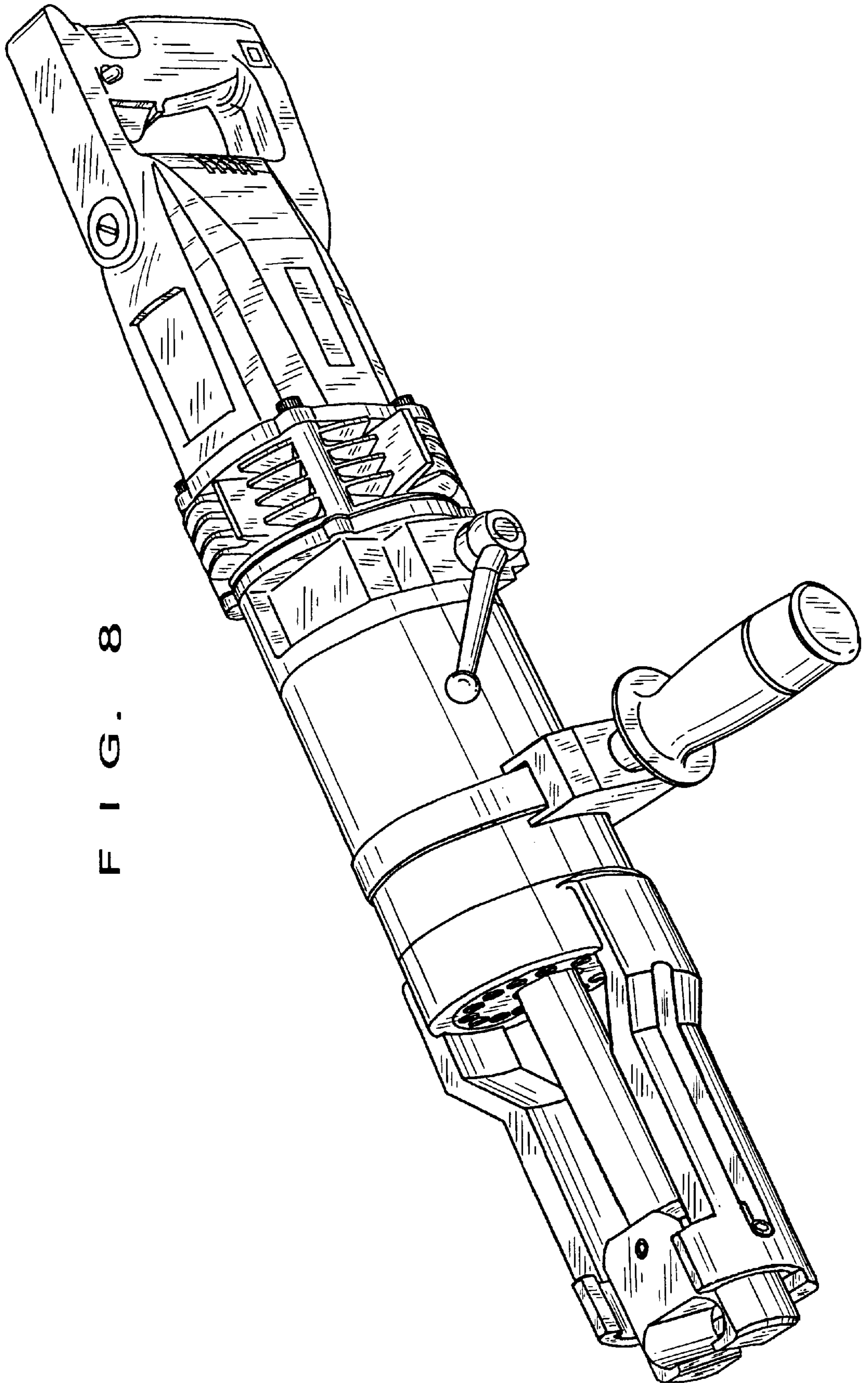


FIG. 8

FIG. 9

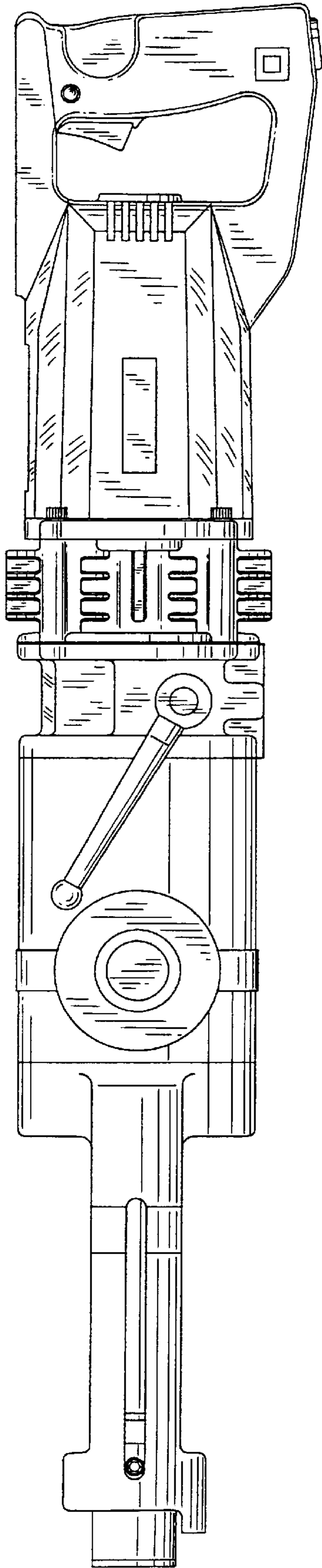


FIG. 10

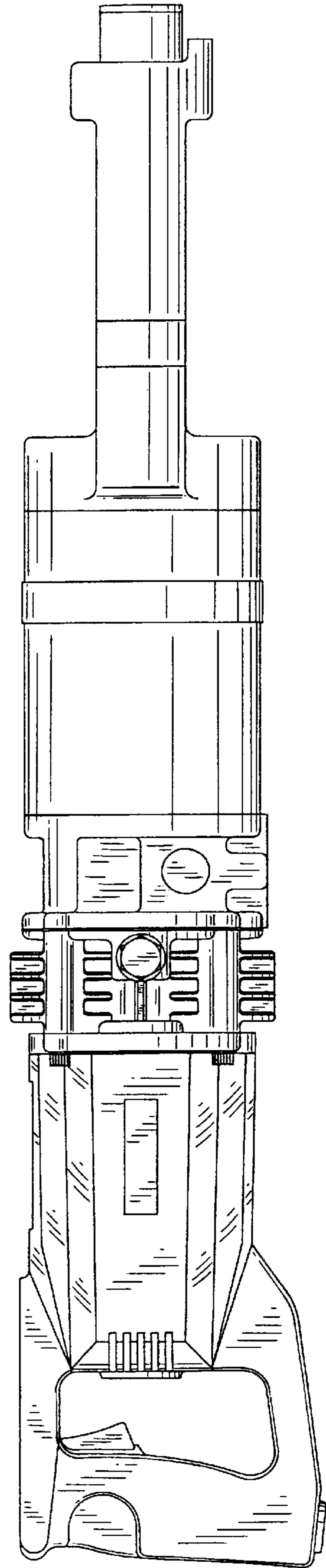


FIG. 11

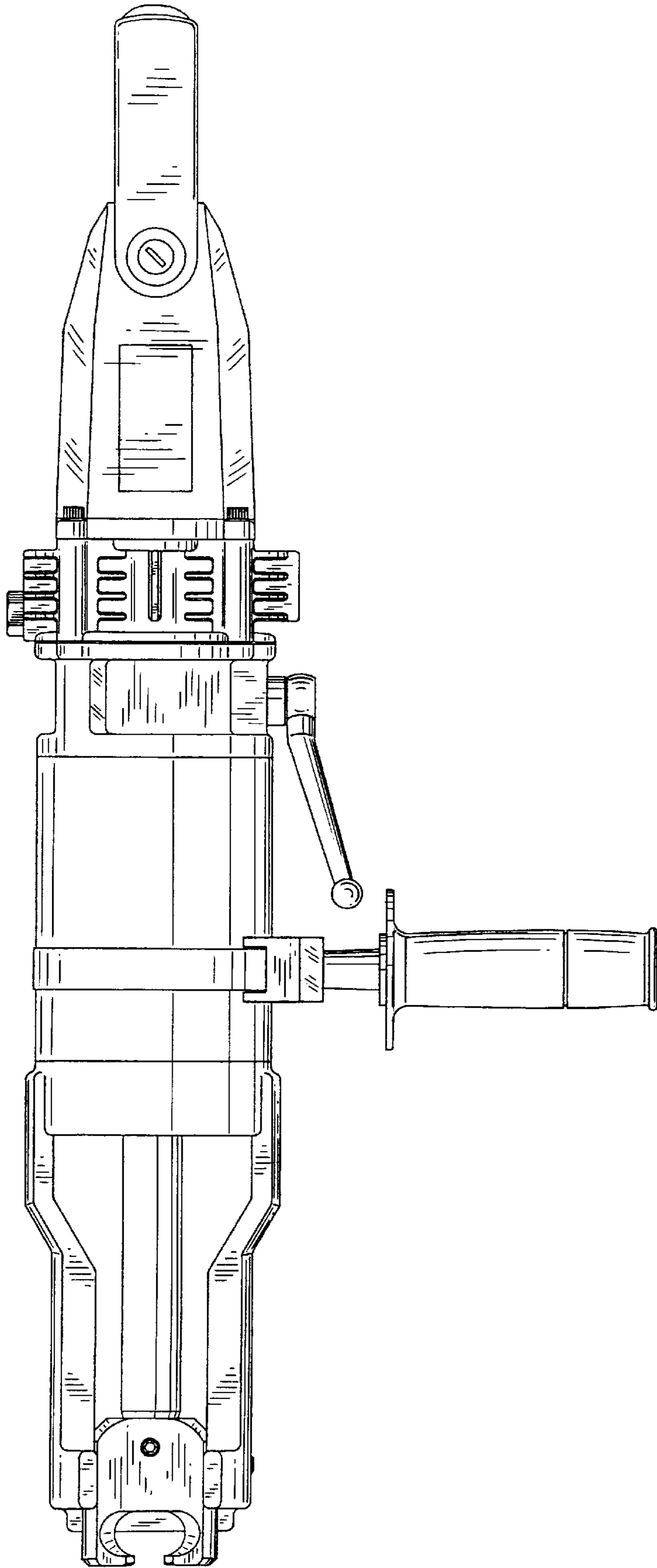


FIG. 12

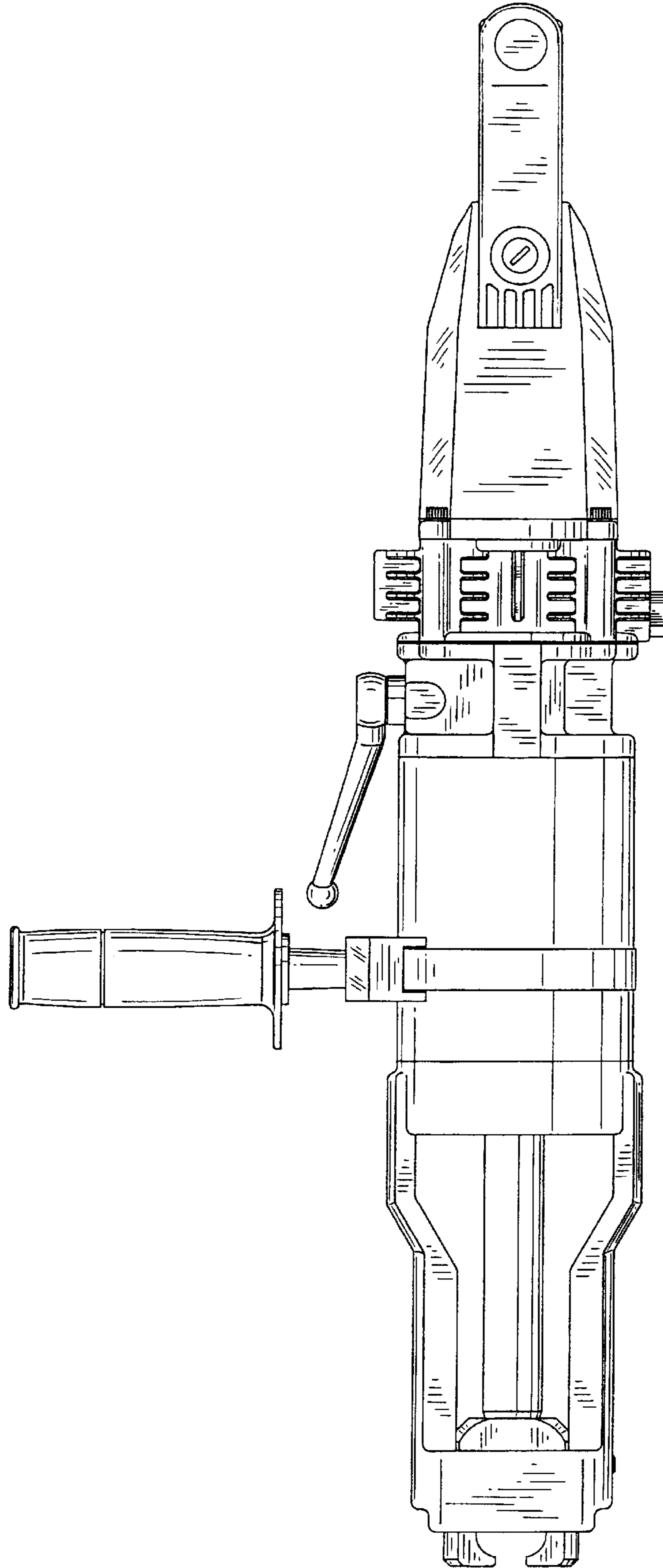


FIG. 14

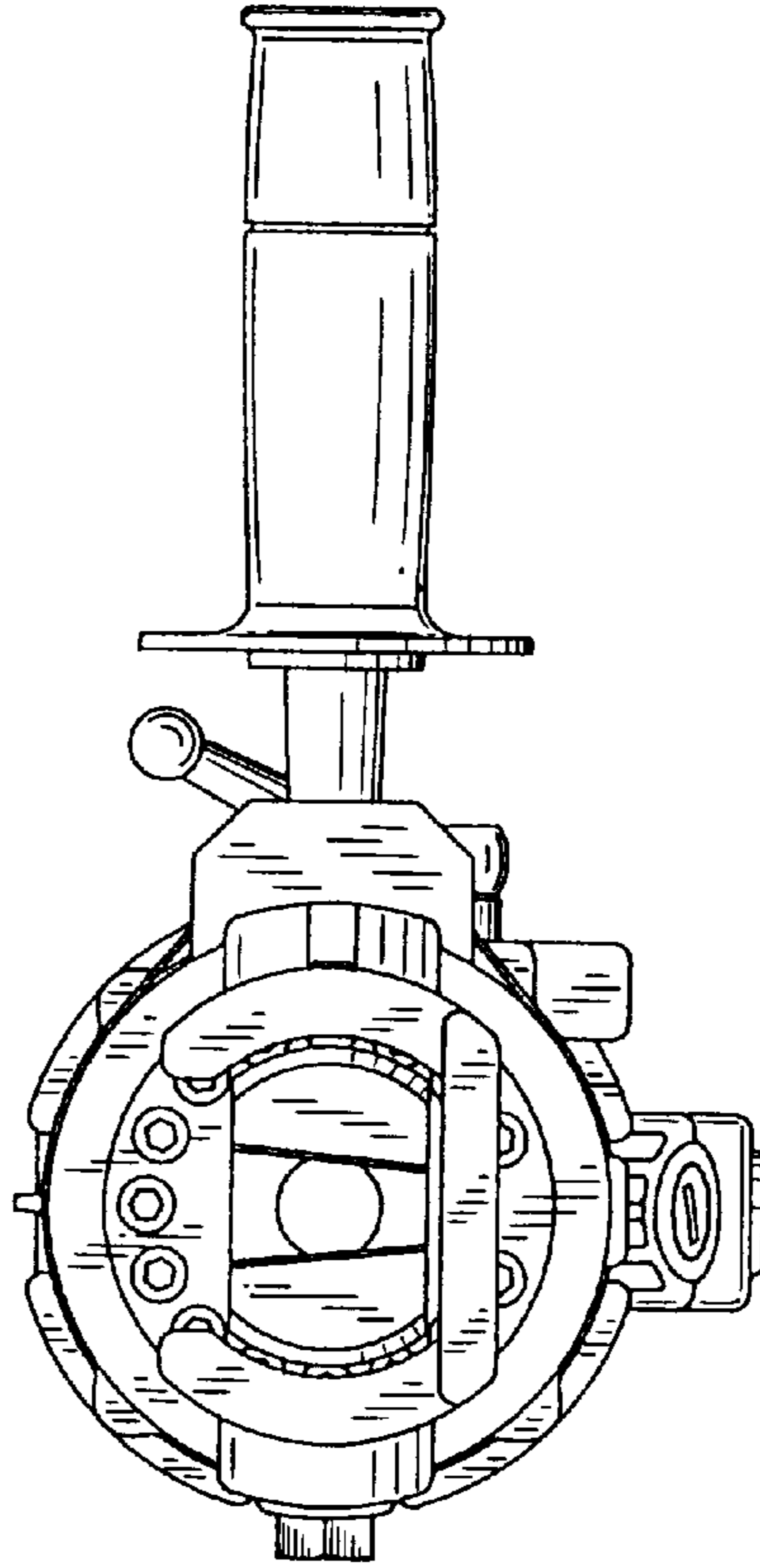
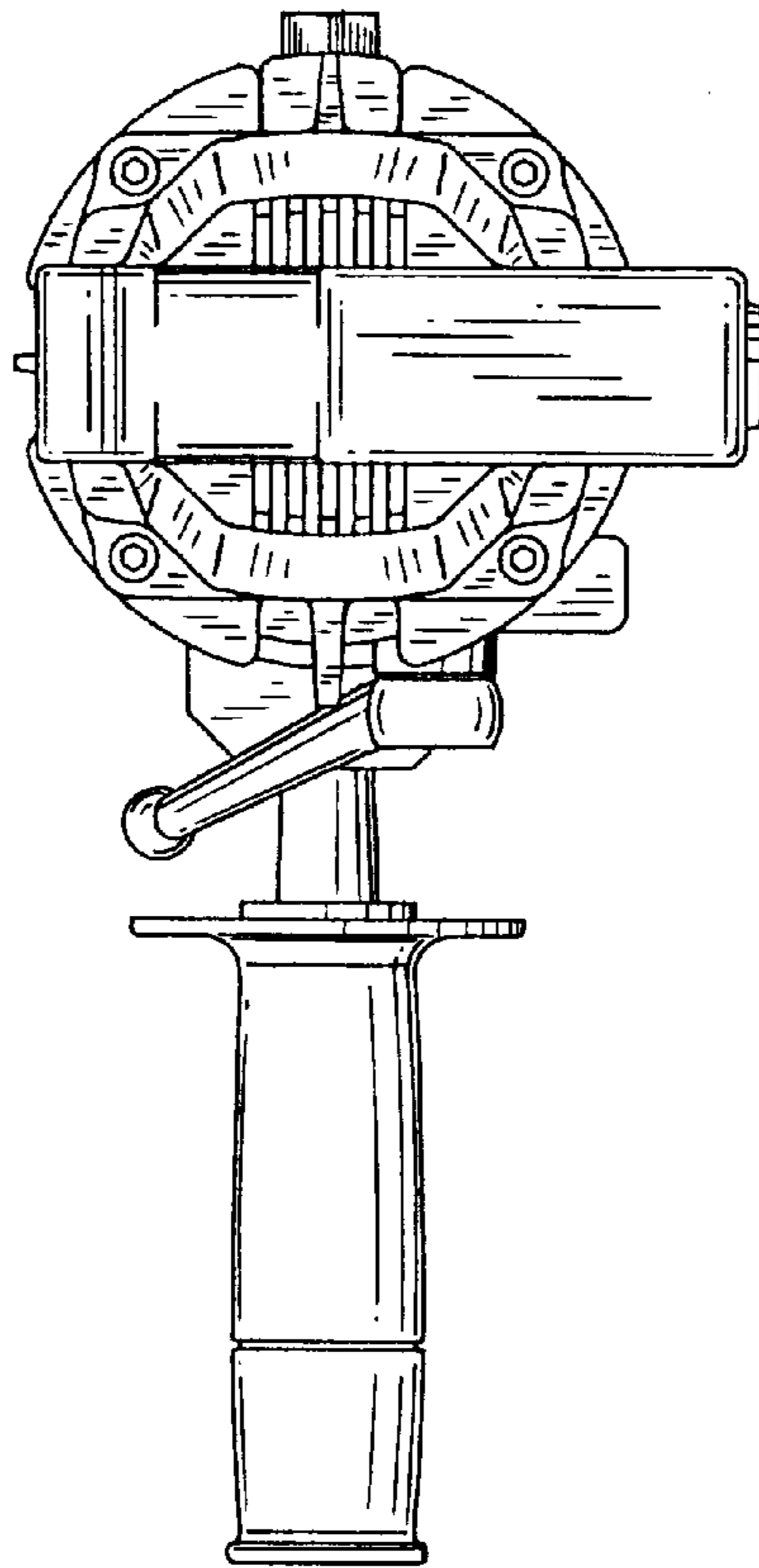


FIG. 13



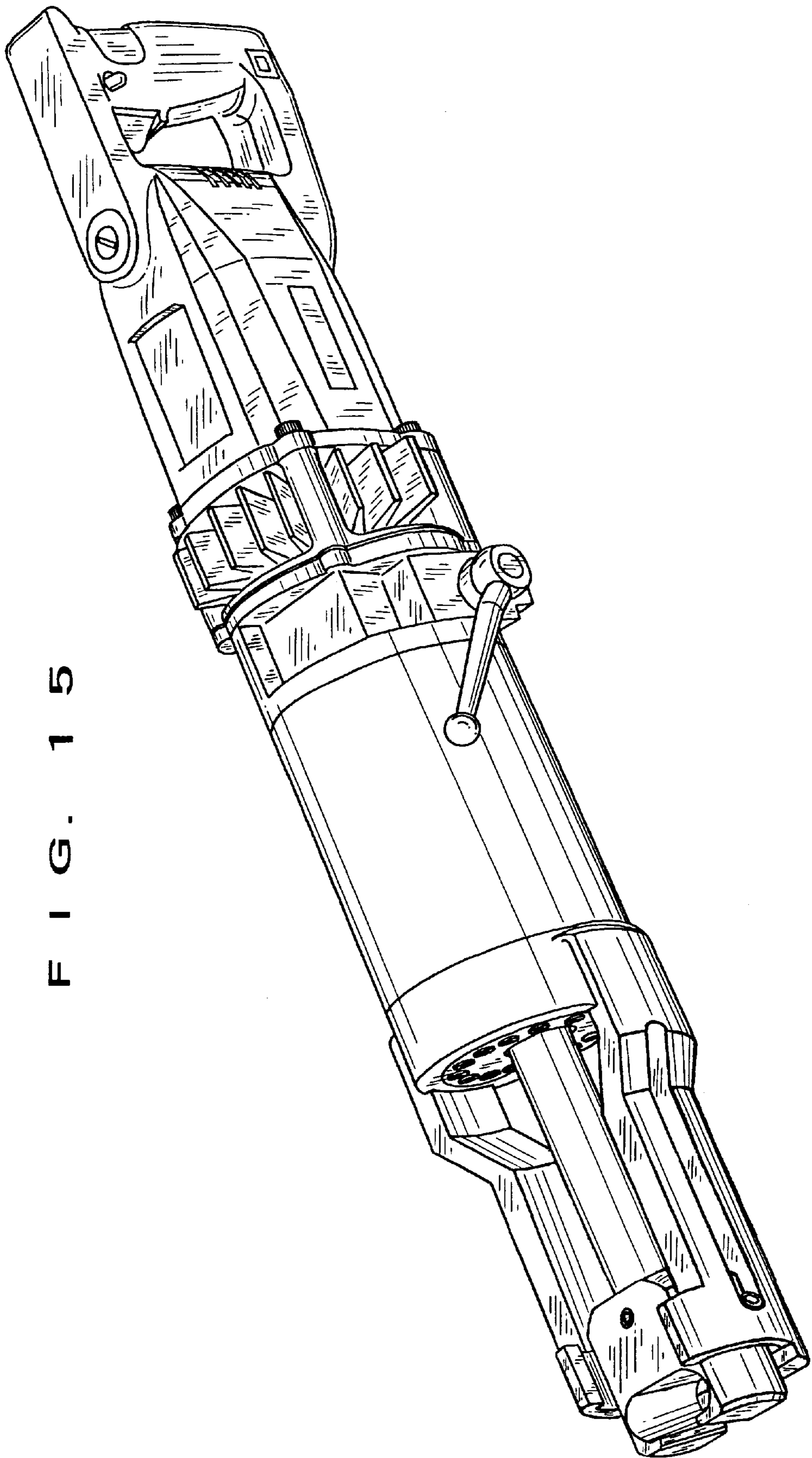


FIG. 15

FIG. 16

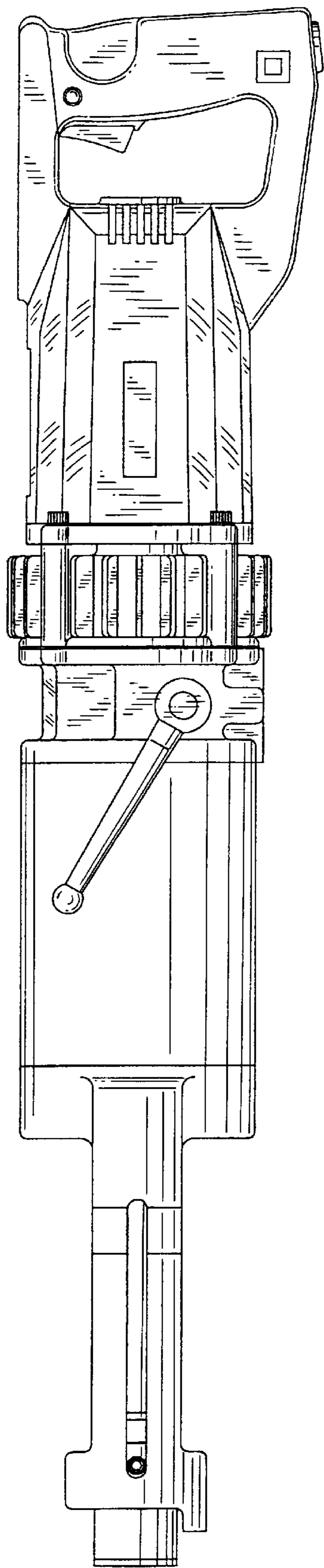


FIG. 17

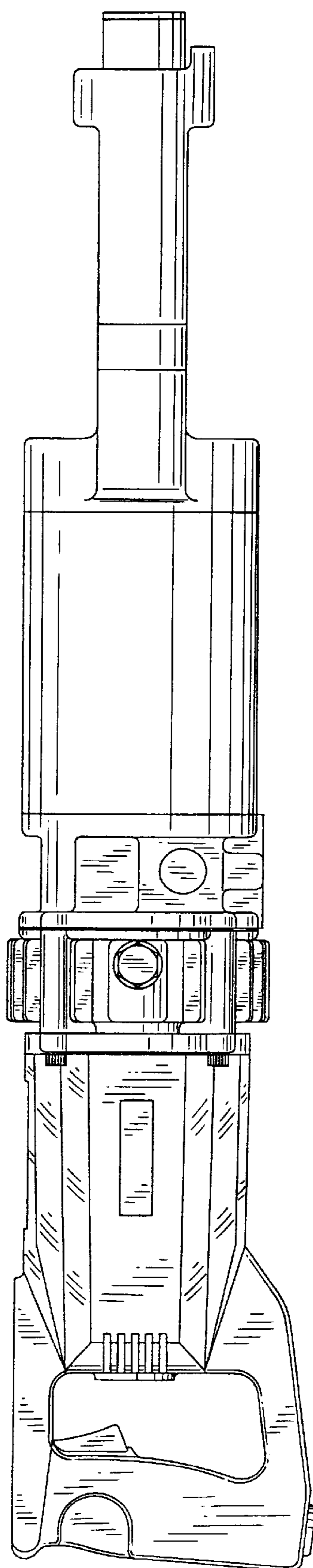


FIG. 18

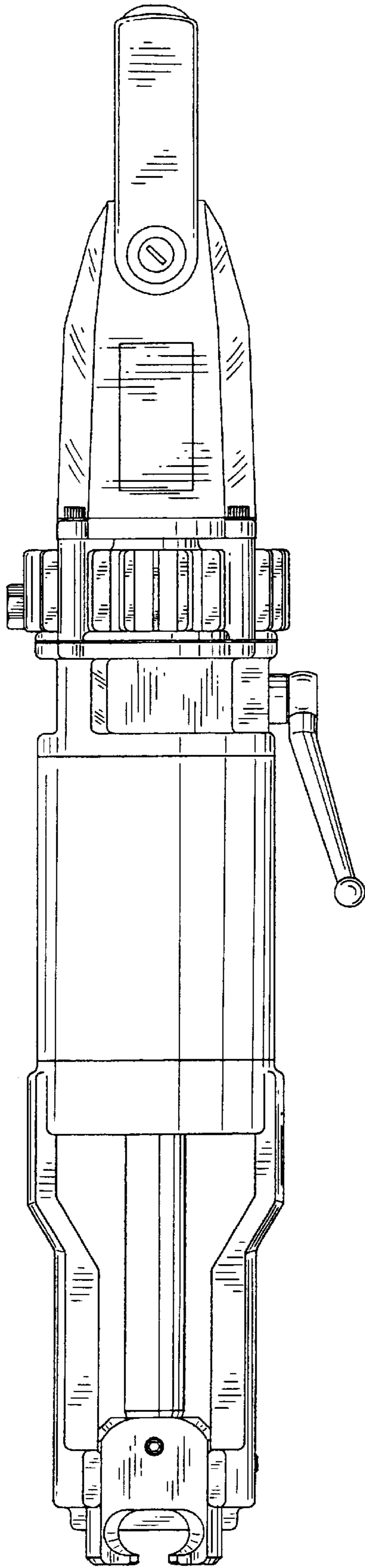


FIG. 19

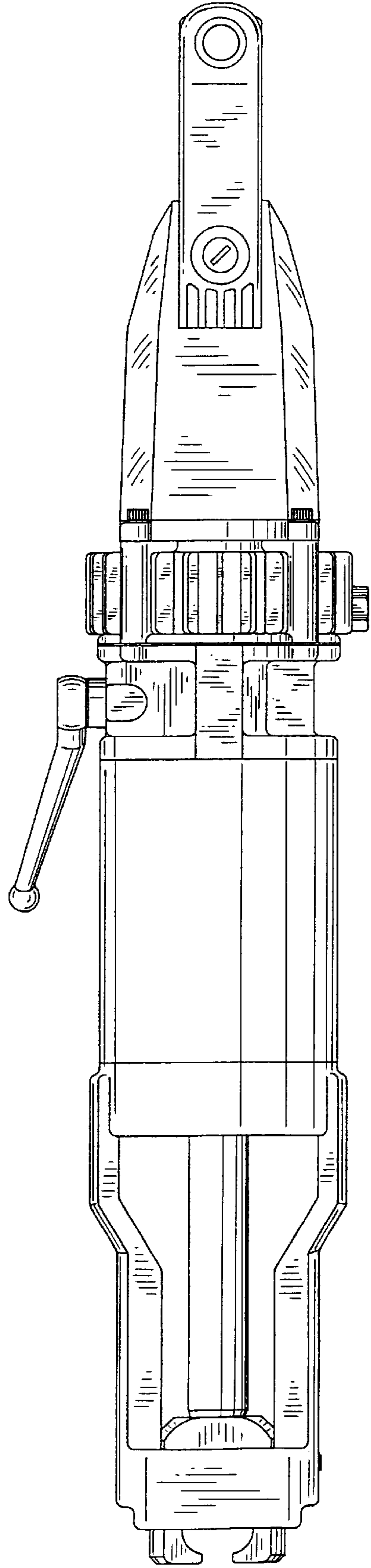


FIG. 21

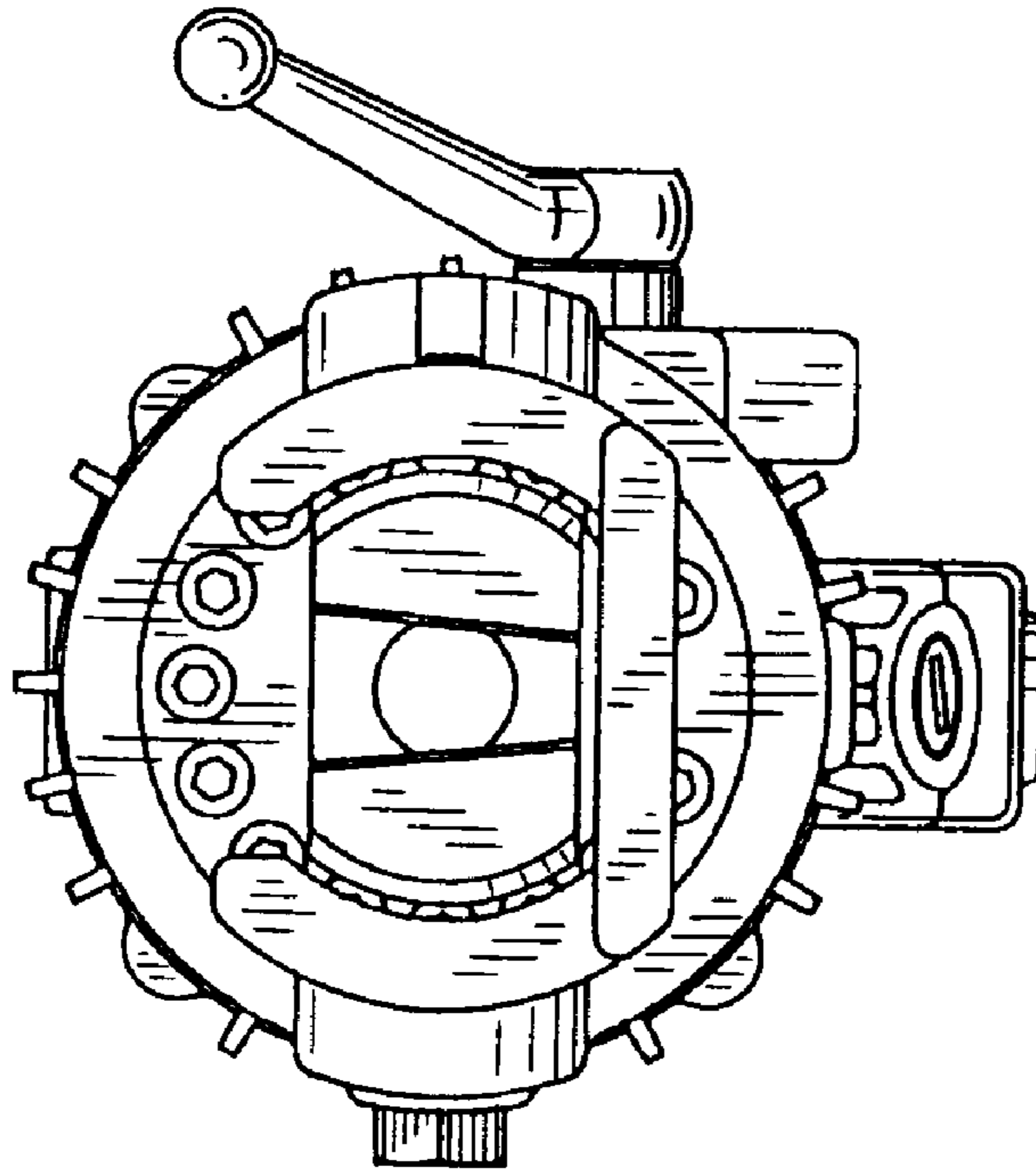


FIG. 20

