



US00D411425S

United States Patent [19]
Sugimoto et al.

[11] **Patent Number: Des. 411,425**

[45] **Date of Patent: ** Jun. 22, 1999**

[54] **CORDLESS CIRCULAR SAW**

[75] Inventors: **Manabu Sugimoto**, Aichi-ken;
Norifumi Niwa, Anjo; **Shingo Umemura**, Okazaki, all of Japan

[73] Assignee: **Makita Corporation**, Aichi-pref., Japan

[**] Term: **14 Years**

[21] Appl. No.: **29/092,881**

[22] Filed: **Aug. 28, 1998**

[30] **Foreign Application Priority Data**

Mar. 6, 1998 [JP] Japan 10-6348
Jul. 14, 1998 [JP] Japan 10-20421

[51] **LOC (6) Cl. 08-03**

[52] **U.S. Cl. D8/66**

[58] **Field of Search D8/66, 69; 30/377,
30/387-391**

[56] **References Cited**

U.S. PATENT DOCUMENTS

D. 363,656 10/1995 Gierke D8/66

Primary Examiner—Antoine Duval Davis
Attorney, Agent, or Firm—Lahive & Cockfield, LLP

[57] **CLAIM**

The ornamental design for a cordless circular saw, as shown and described.

DESCRIPTION

FIG. 1 is a perspective view of a cordless circular saw shown my new design;
FIG. 2 is a right side elevational view thereof;
FIG. 3 is a left side elevational view thereof;
FIG. 4 is a front elevational view thereof;
FIG. 5 is a rear side elevational view thereof;
FIG. 6 is a top plan view thereof;
FIG. 7 is a bottom plan view thereof.
FIG. 8 is a perspective view of a second embodiment of a cordless circular saw shown my new design;
FIG. 9 is a right side elevational view thereof;
FIG. 10 is a left side elevational view thereof;
FIG. 11 is a front elevational view thereof;
FIG. 12 is a rear side elevational view thereof;
FIG. 13 is a top plan view thereof; and,
FIG. 14 is a bottom plan view thereof.

1 Claim, 14 Drawing Sheets

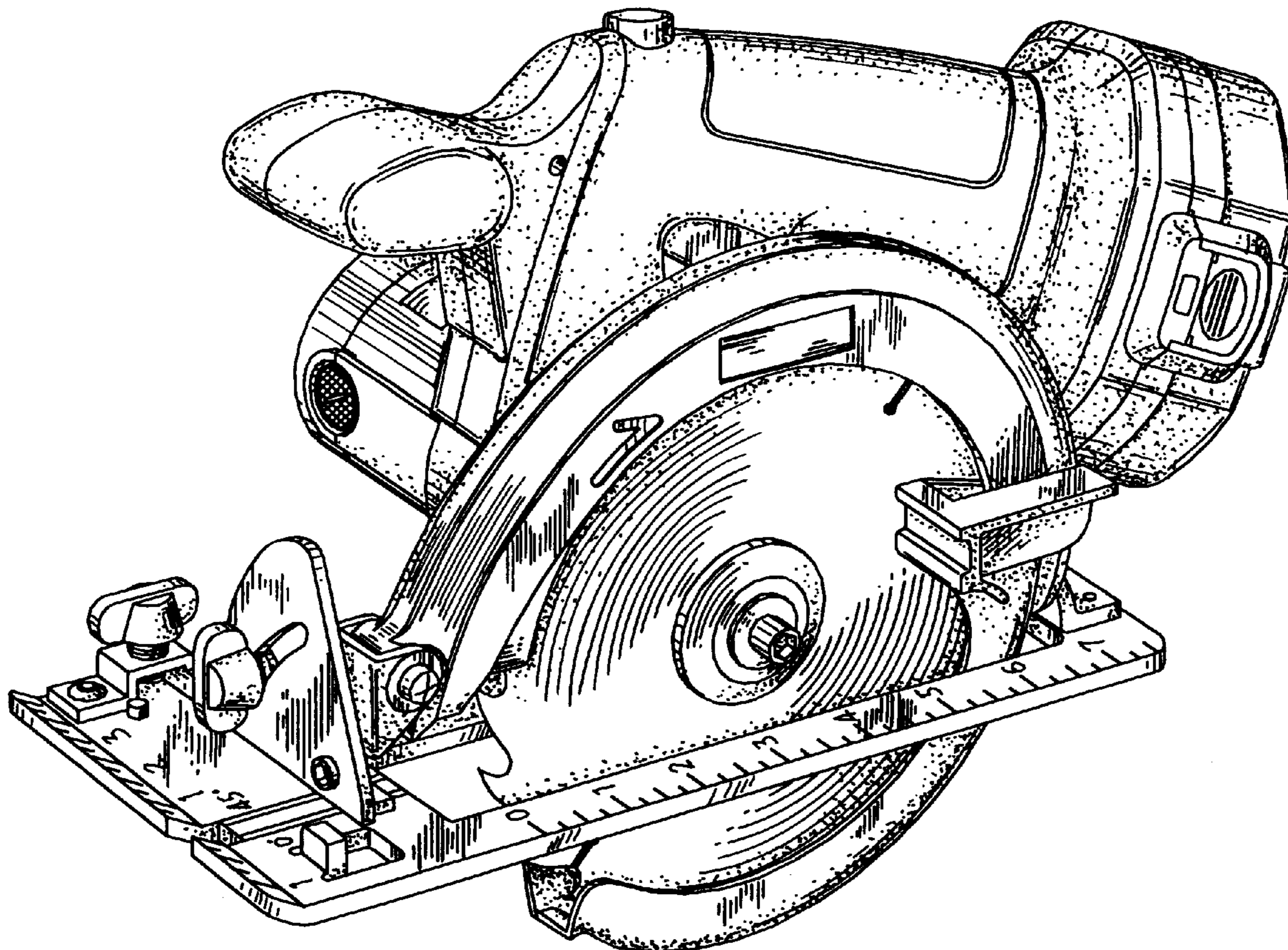


FIG. 1

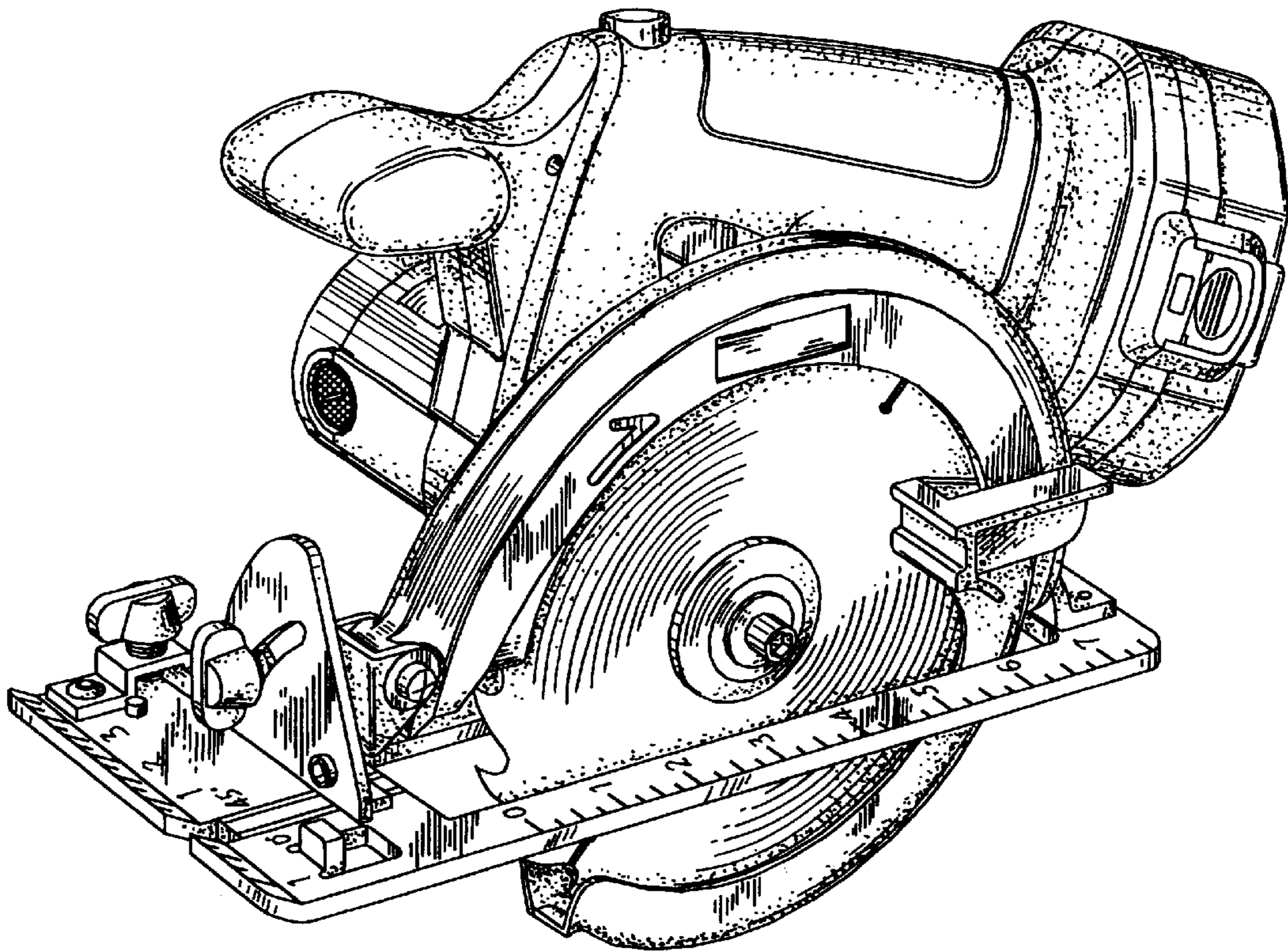


FIG. 2

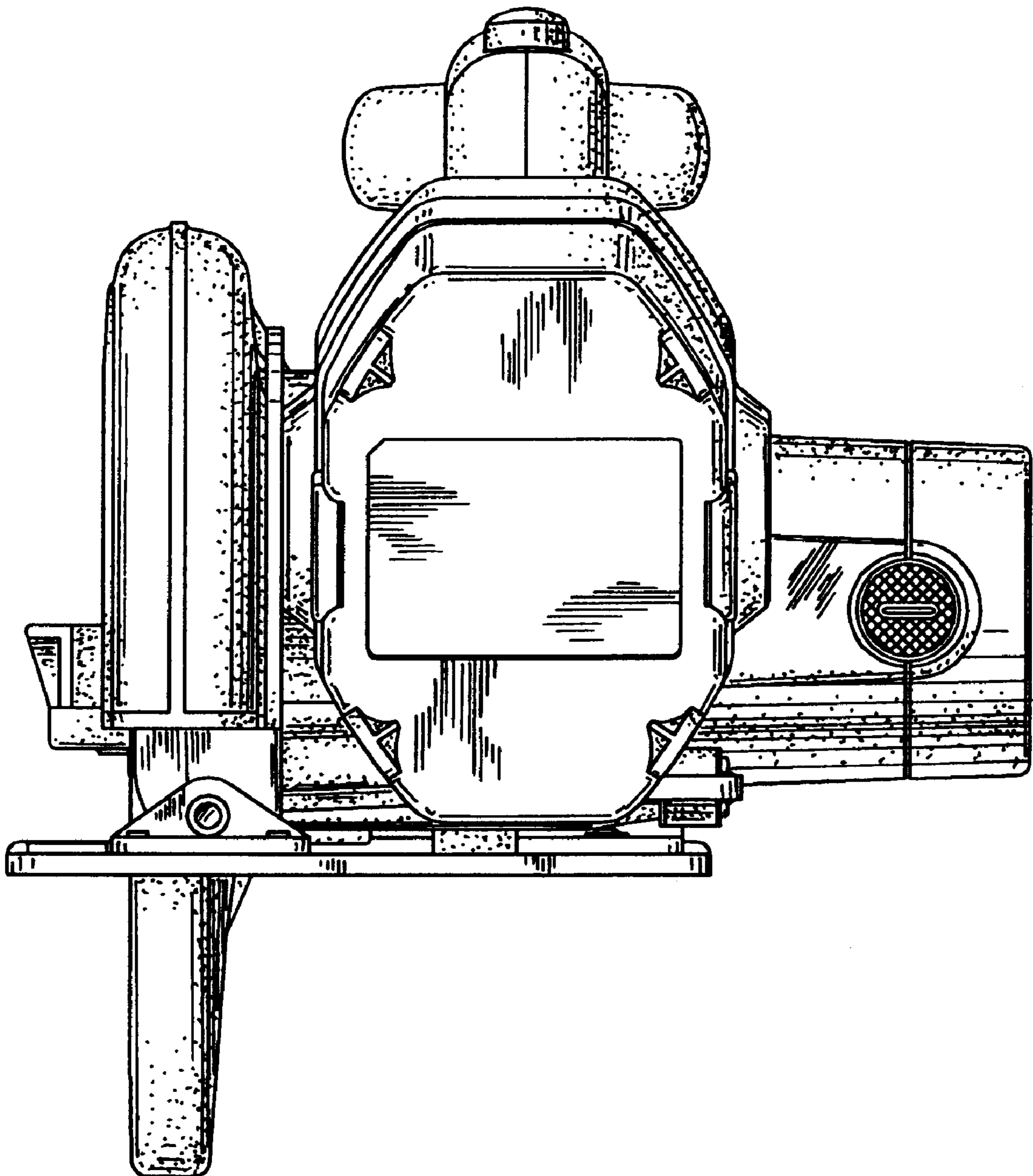


FIG. 3

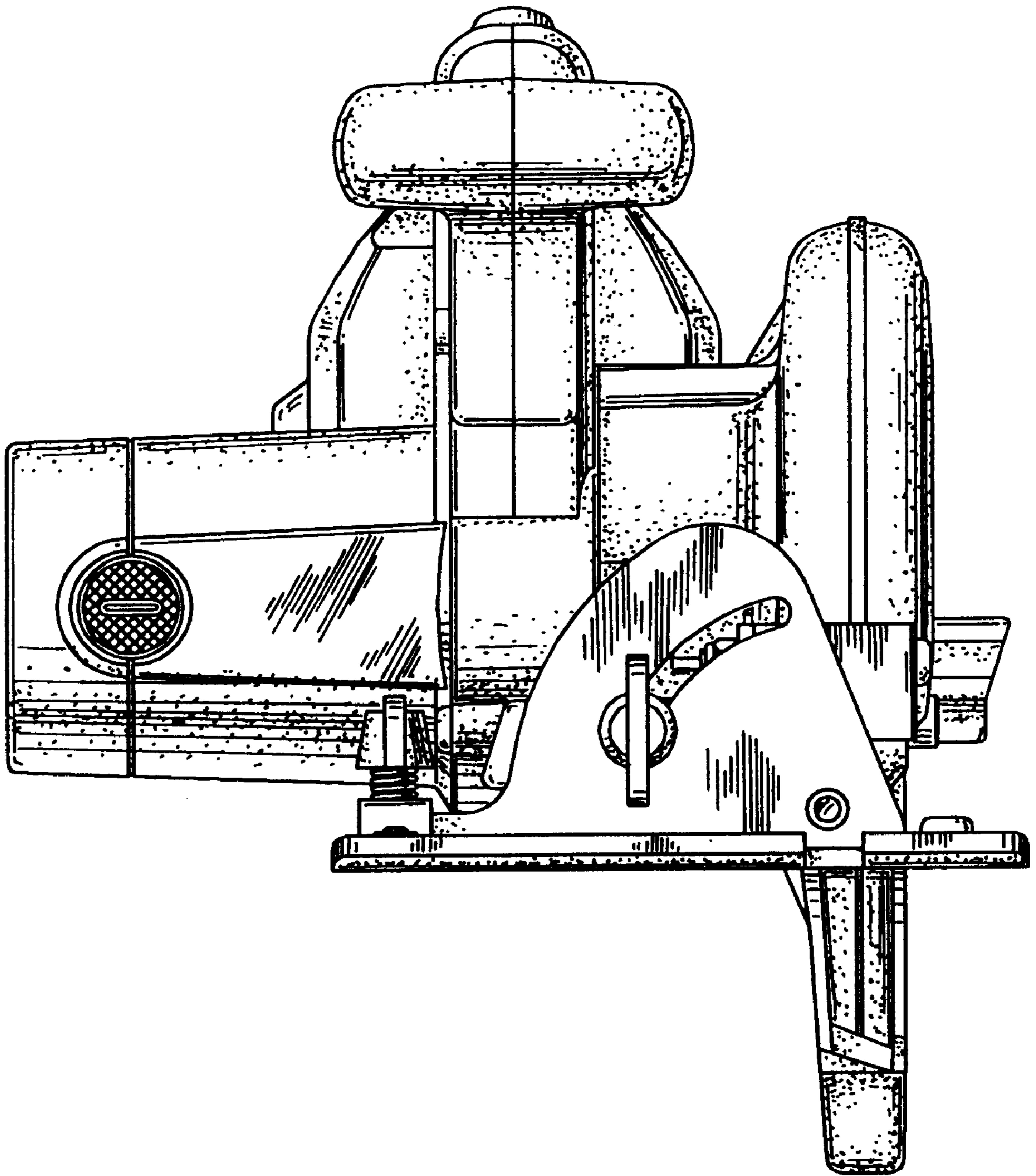


FIG. 4

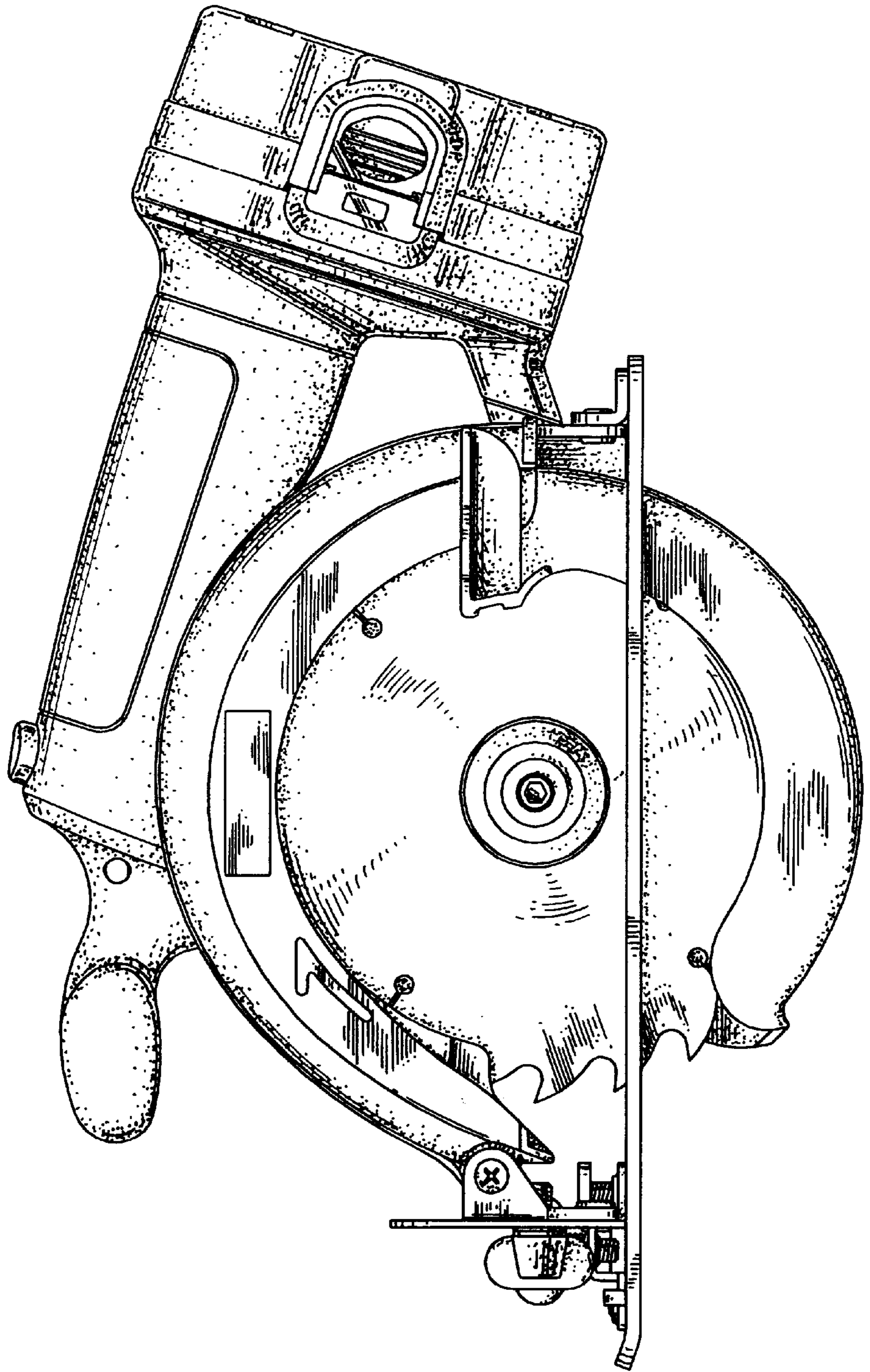


FIG. 5

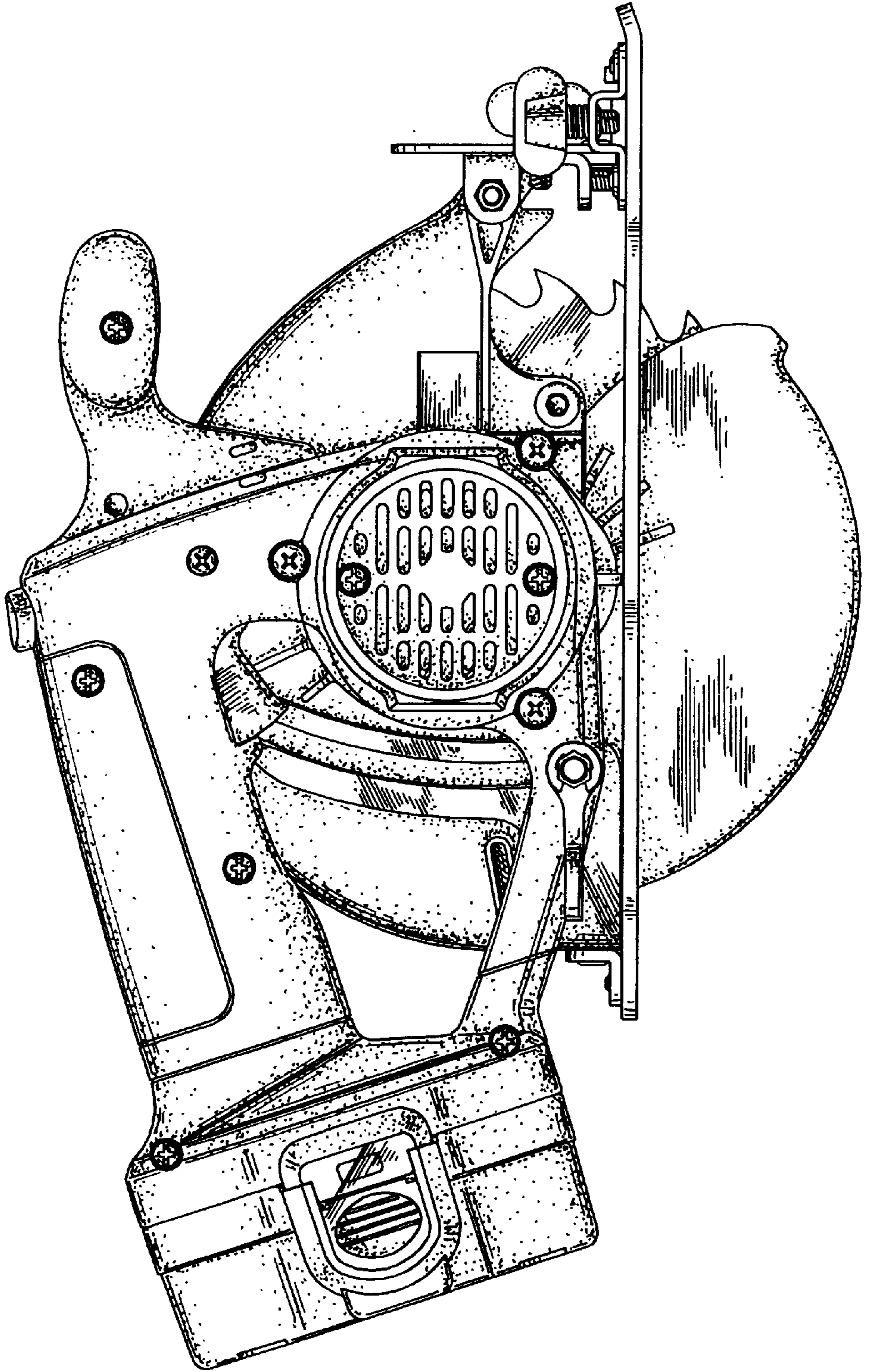


FIG. 6

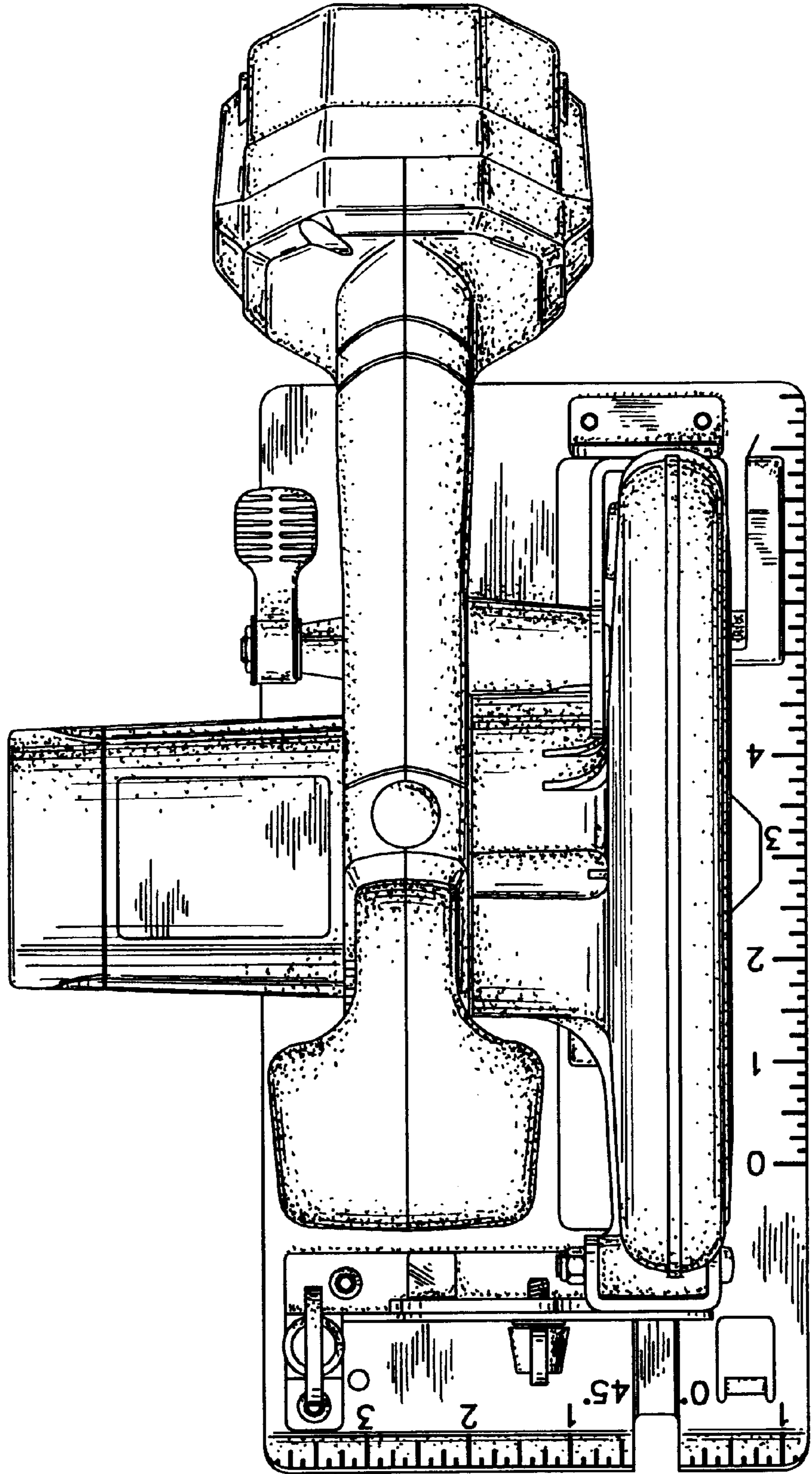


FIG. 7

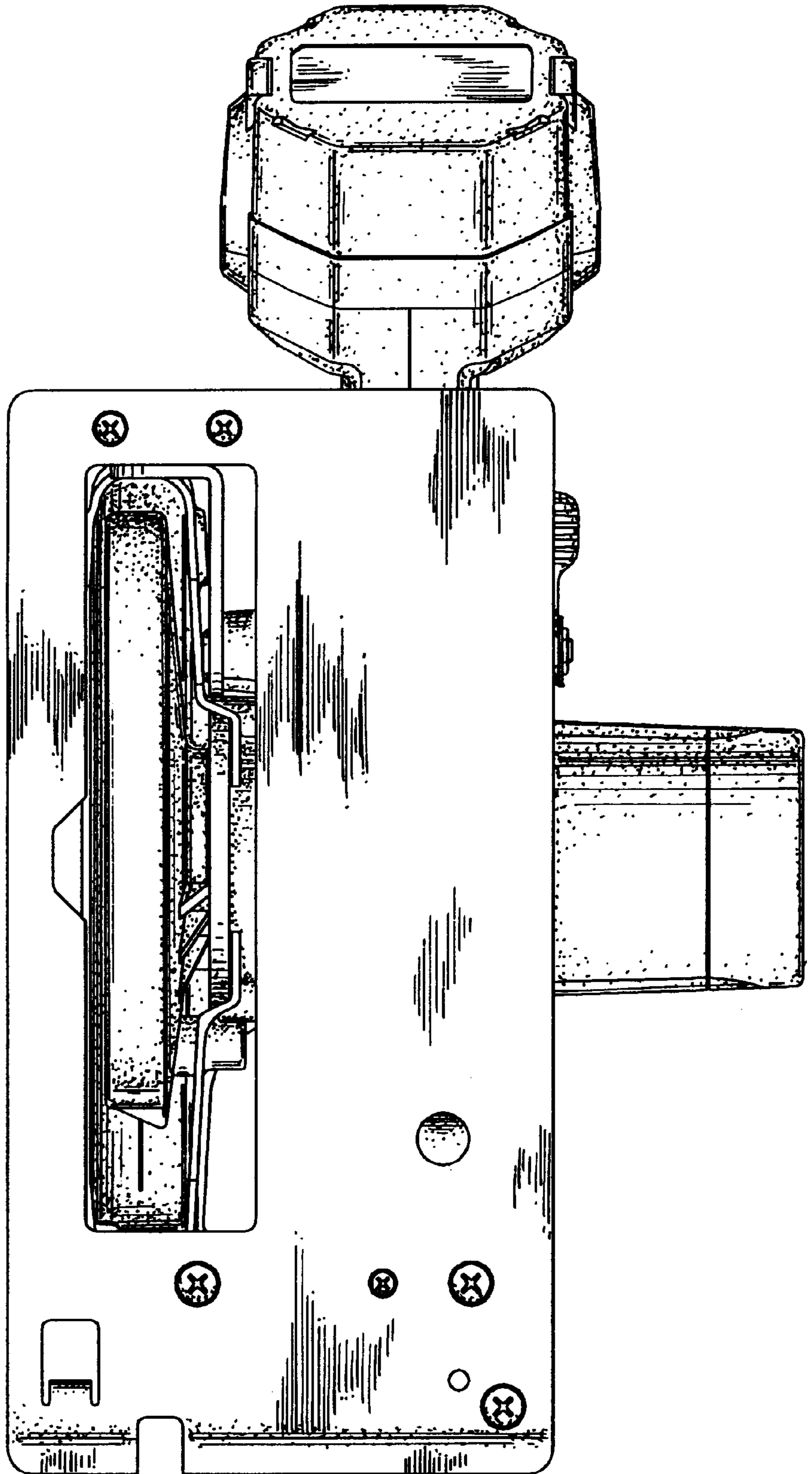


FIG. 8

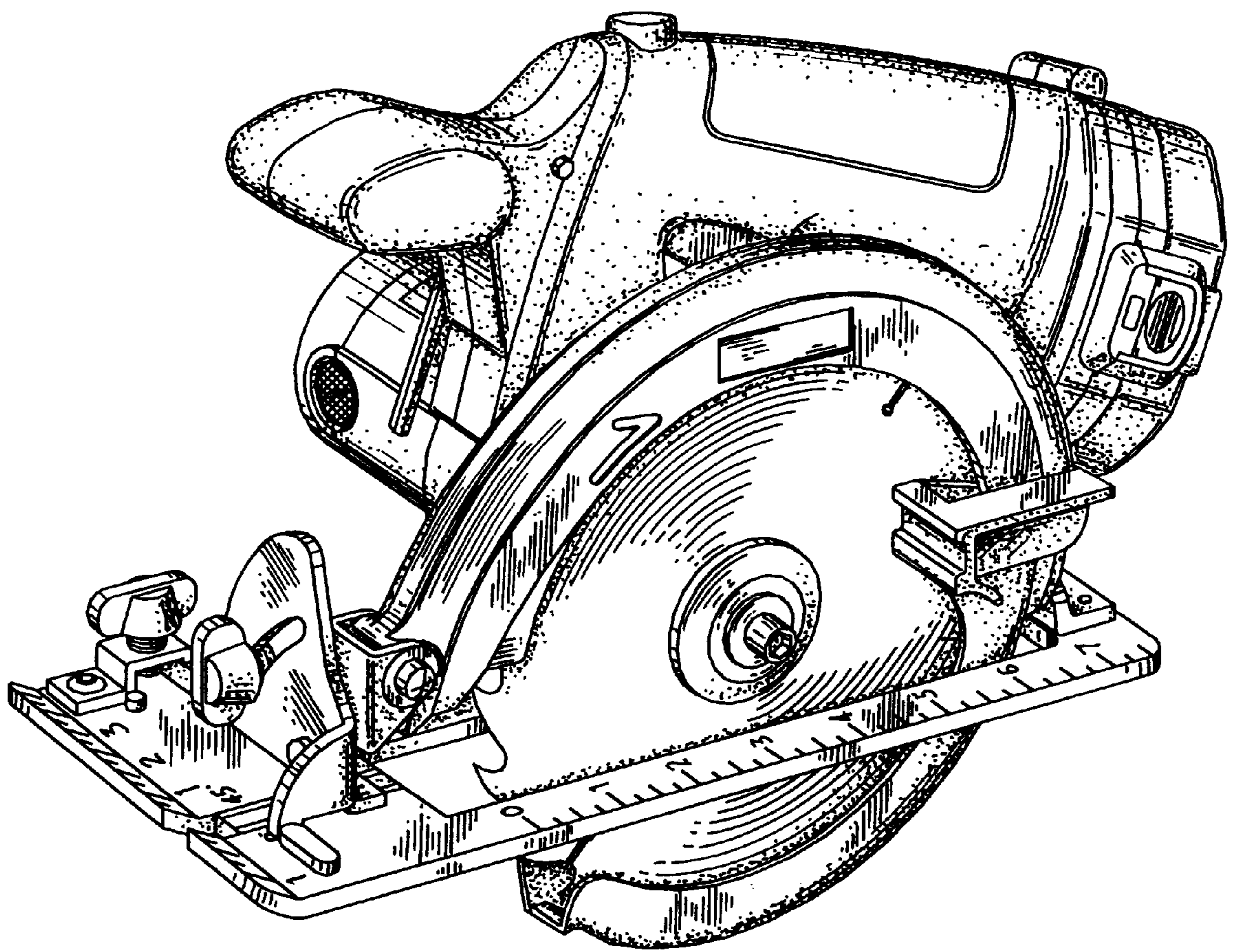


FIG. 9

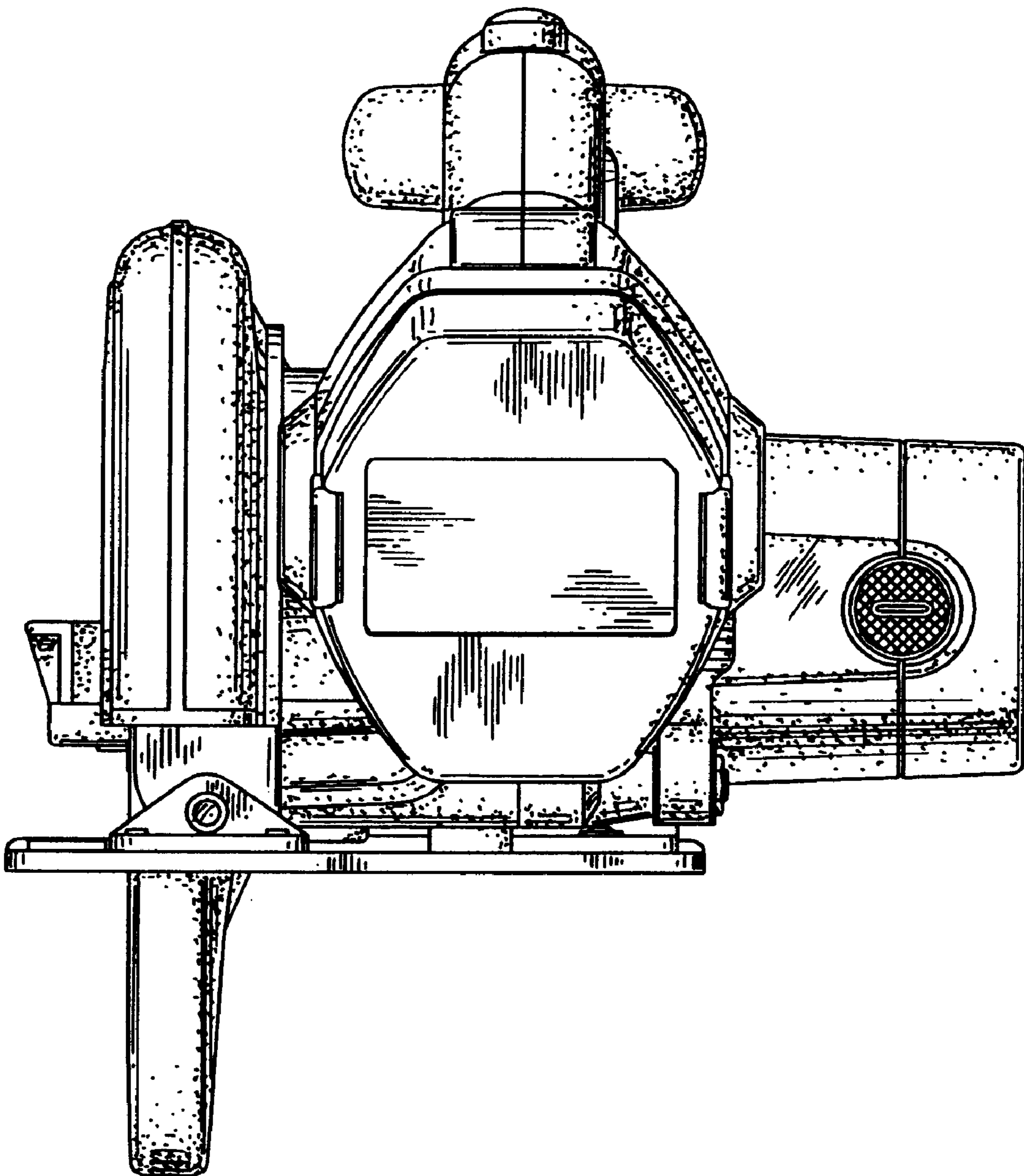


FIG. 10

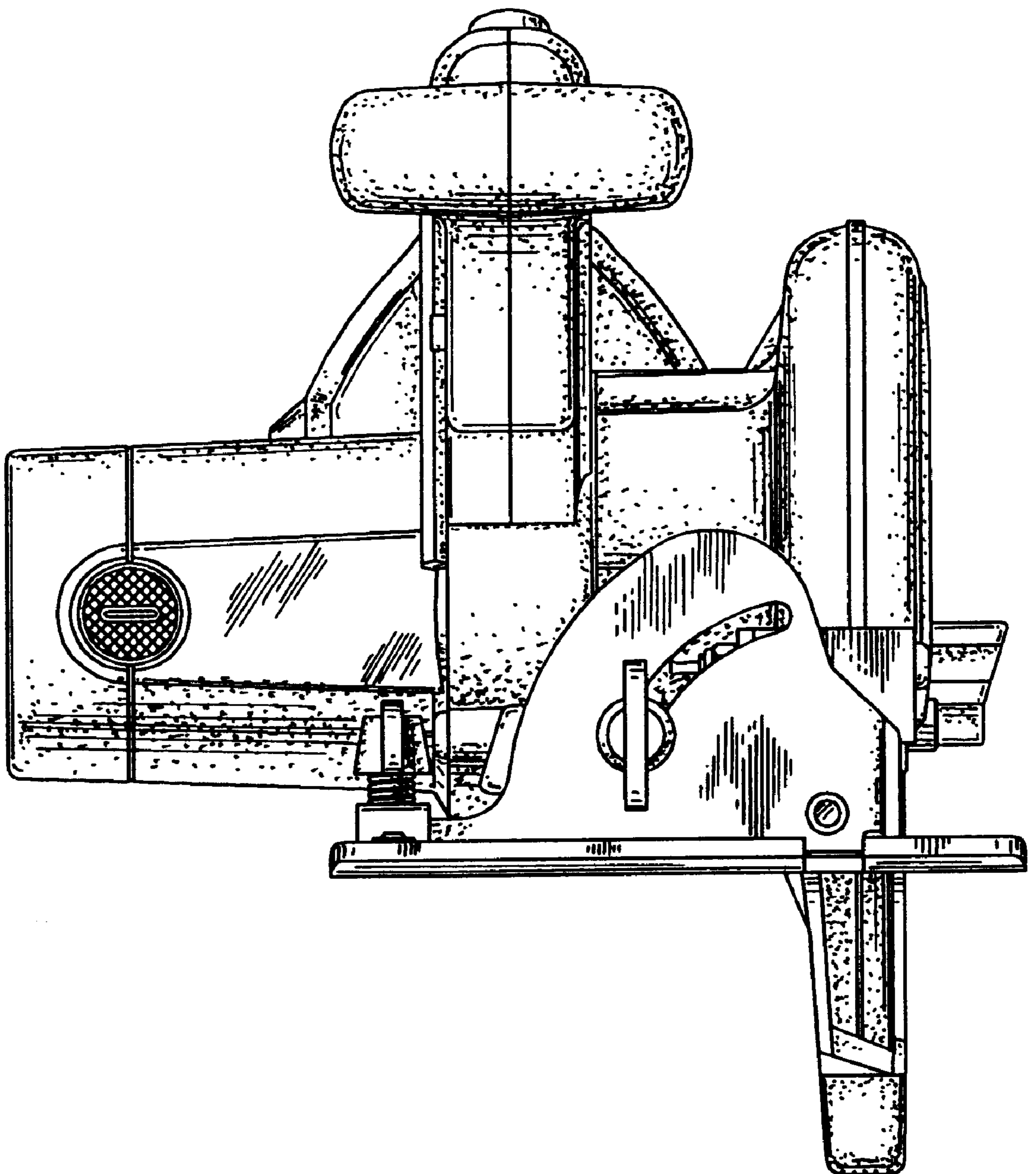


FIG. 11

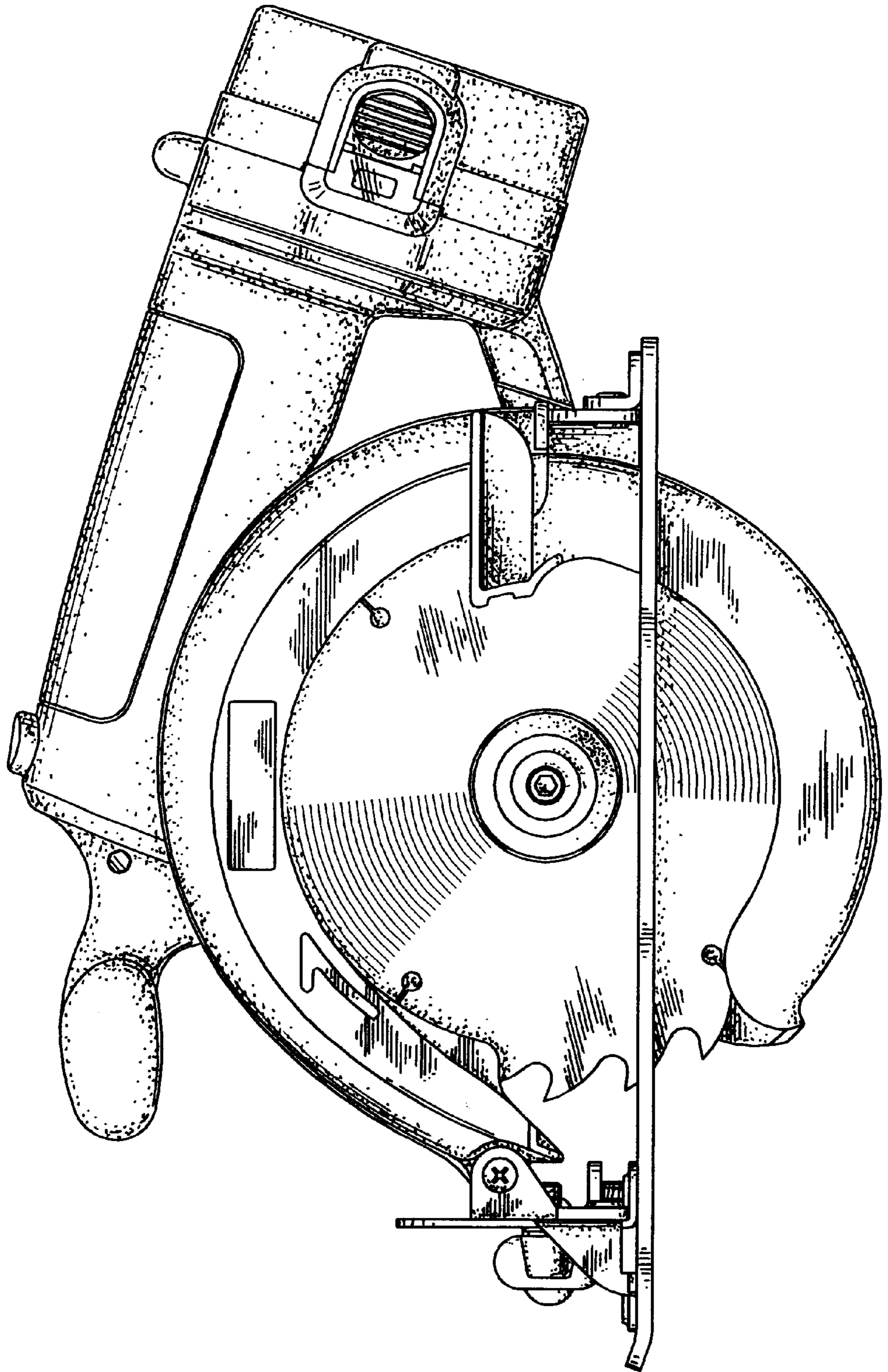


FIG. 12

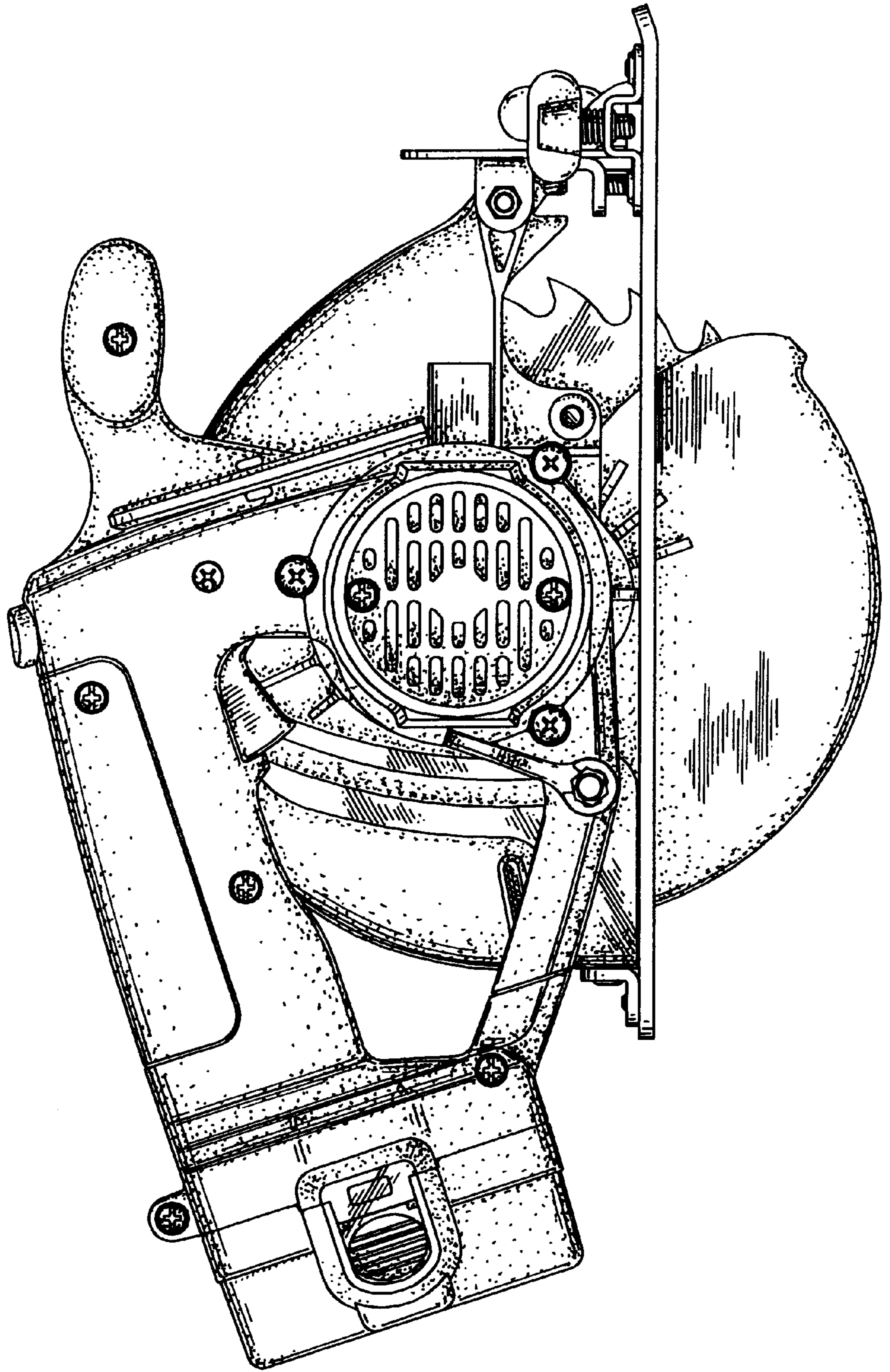


FIG. 13

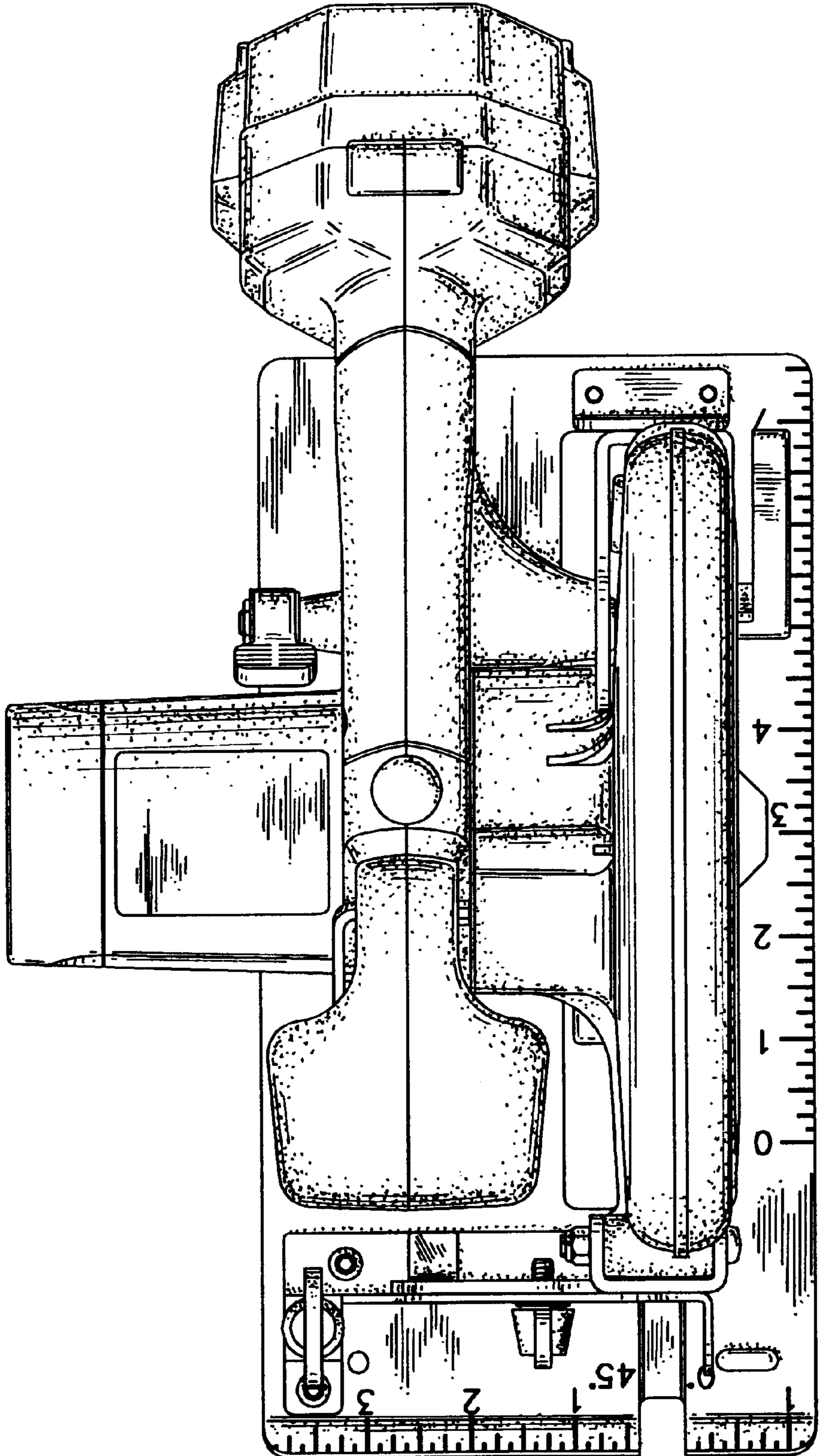


FIG. 14

