



US00D411424S

United States Patent [19] Saito

[11] **Patent Number: Des. 411,424**

[45] **Date of Patent: ** Jun. 22, 1999**

[54] **PORTABLE DISK GRINDER**

[75] Inventor: **Masayuki Saito**, Tokyo, Japan

[73] Assignee: **Nitto Kohki Co., Ltd.**, Tokyo, Japan

[**] Term: **14 Years**

[21] Appl. No.: **29/086,674**

[22] Filed: **Apr. 17, 1998**

[30] **Foreign Application Priority Data**

Nov. 28, 1997 [JP] Japan 9-76457

[51] **LOC (6) Cl.** **08-01**

[52] **U.S. Cl.** **D8/62**

[58] **Field of Search** D8/62; 451/344,
451/352-358, 359, 450

[56] **References Cited**

U.S. PATENT DOCUMENTS

- D. 332,560 1/1993 Mikiya .
- D. 351,772 10/1994 Price .
- D. 394,594 5/1998 Chung D8/62

- D. 396,175 7/1998 Chung D8/62
- D. 402,870 12/1998 Etter et al. D8/62
- 4,735,020 4/1988 Schulz et al. .
- 4,776,402 10/1988 Meikle et al. .
- 5,201,146 4/1993 Fushiya .
- 5,833,524 11/1998 Satoh et al. 451/356 X

Primary Examiner—Antoine Duval Davis
Attorney, Agent, or Firm—Wenderoth, Lind & Ponack, L.L.P.

[57] CLAIM

The ornamental design for portable disk grinder, as shown.

DESCRIPTION

FIG. 1 is a top, front and right side perspective view of a portable disk grinder showing my new design; FIG. 2 is a top plan view thereof; FIG. 3 is a front elevational view thereof; FIG. 4 is a rear view thereof; FIG. 5 is a bottom plan view thereof; FIG. 6 is a right side view elevational thereof; and, FIG. 7 is a left side elevational view thereof.

1 Claim, 3 Drawing Sheets

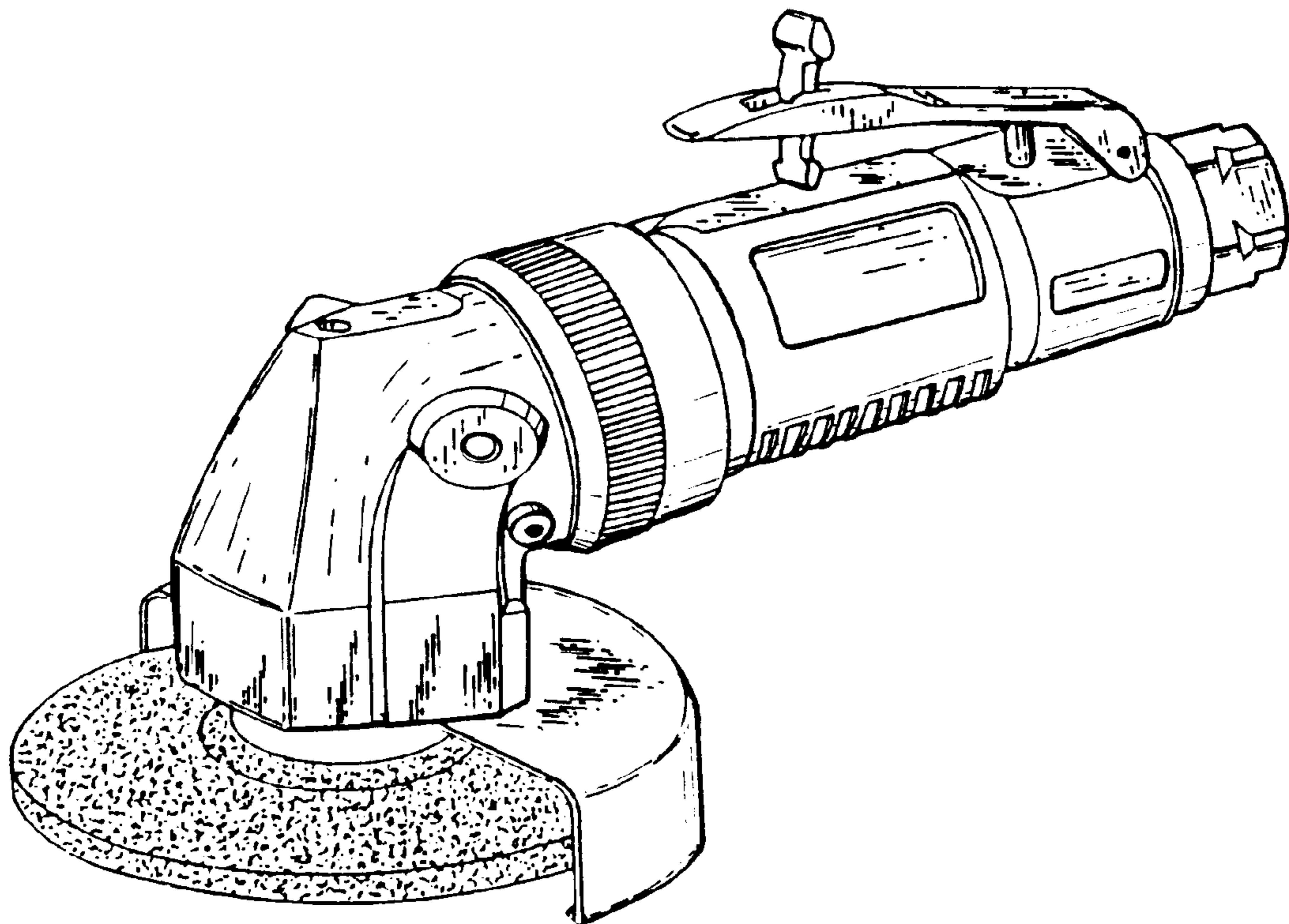


FIG. 1

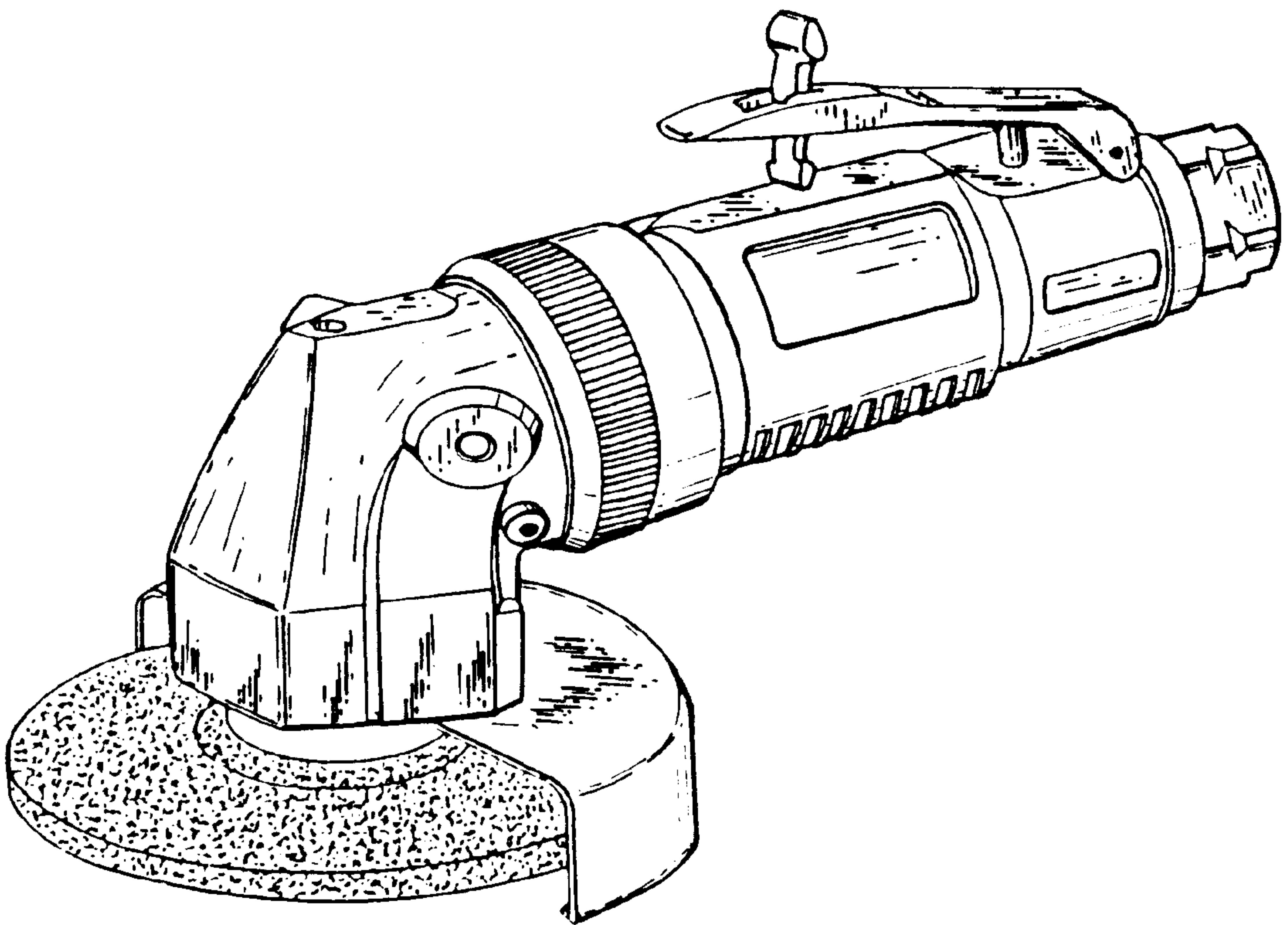


FIG. 2

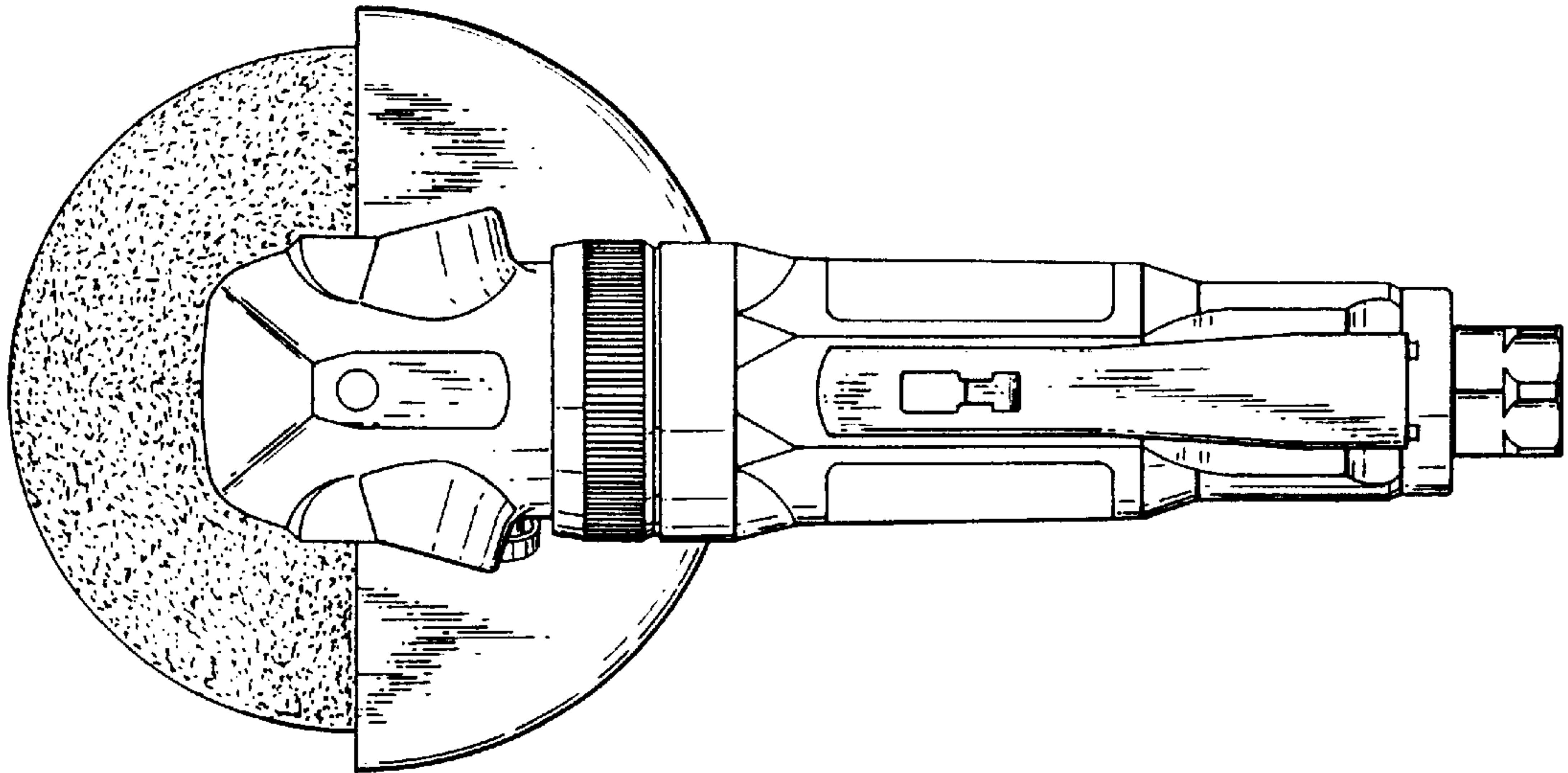


FIG. 3

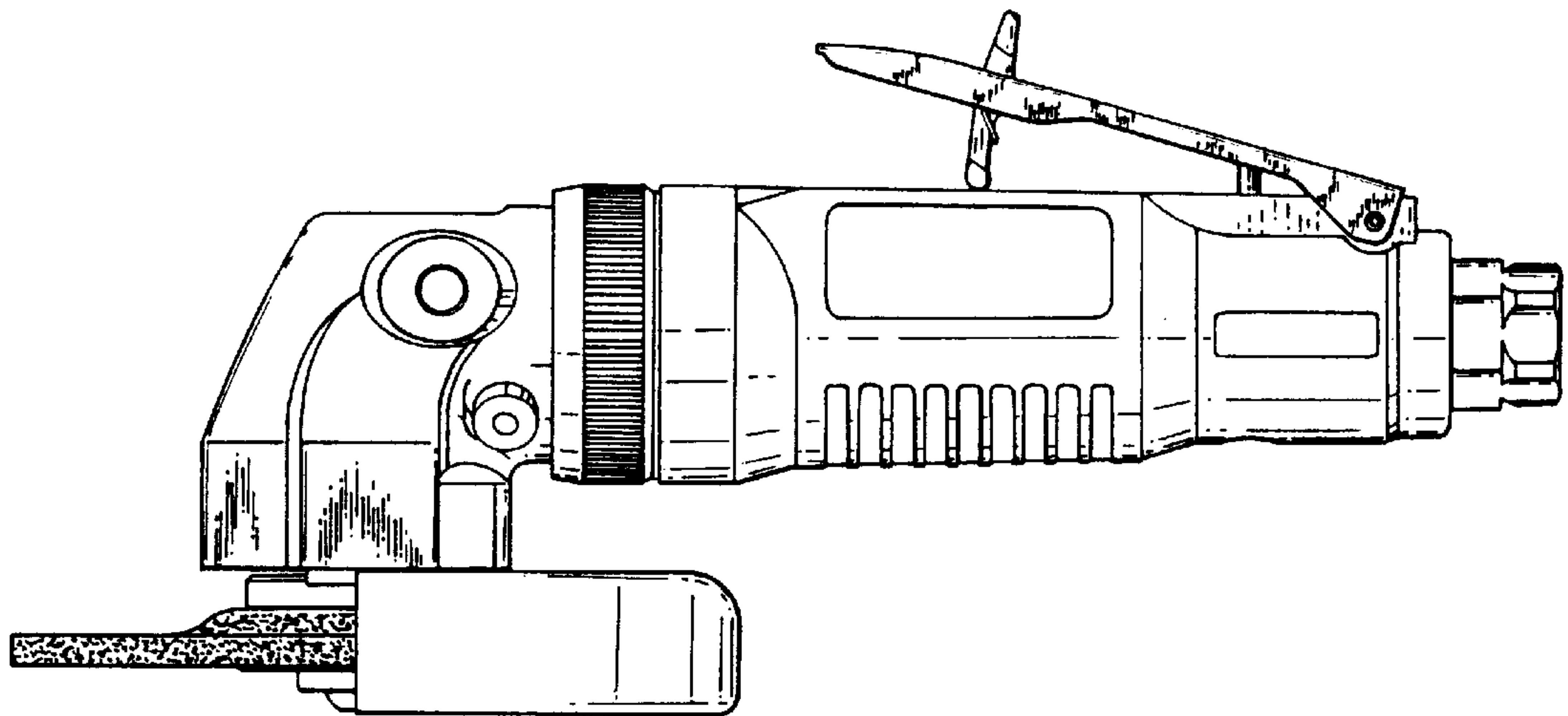


FIG. 4

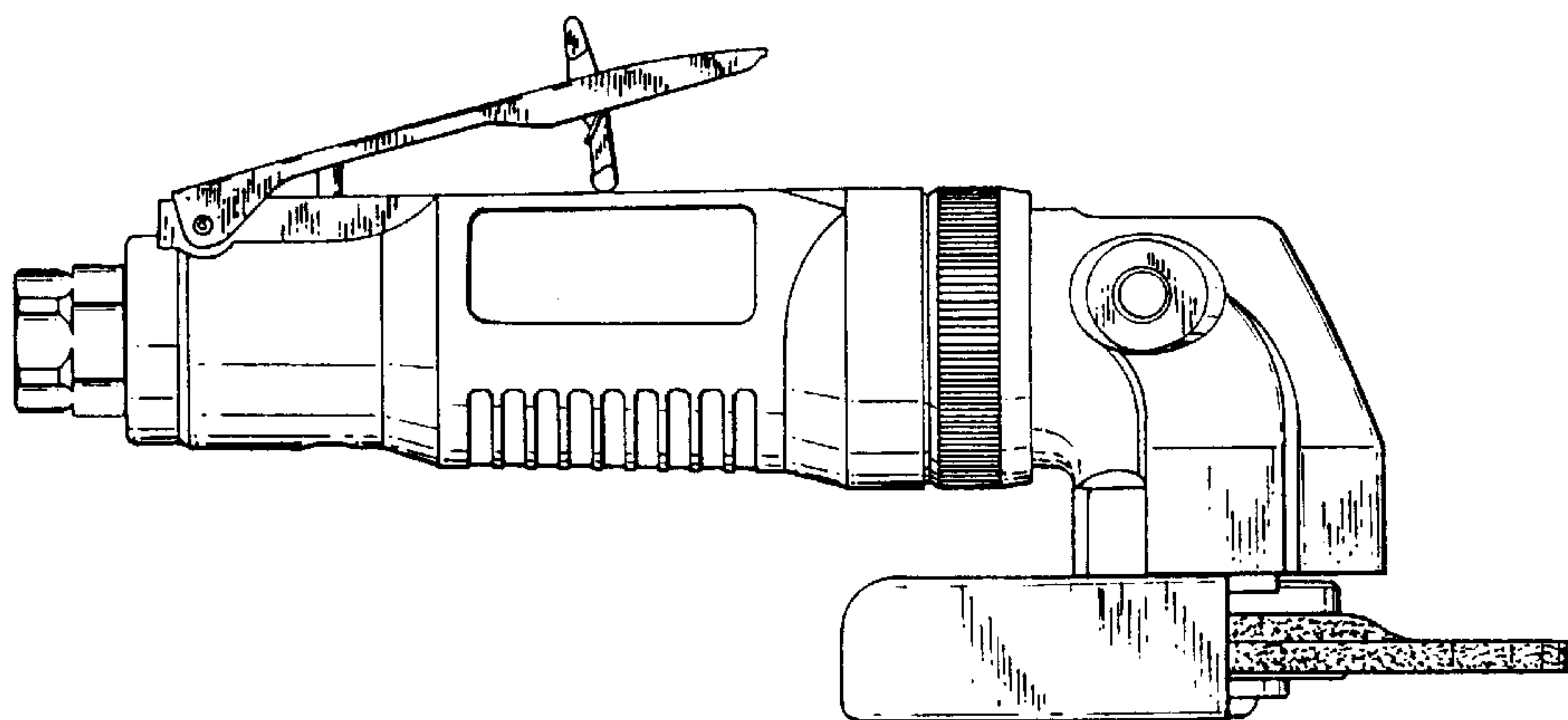


FIG. 5

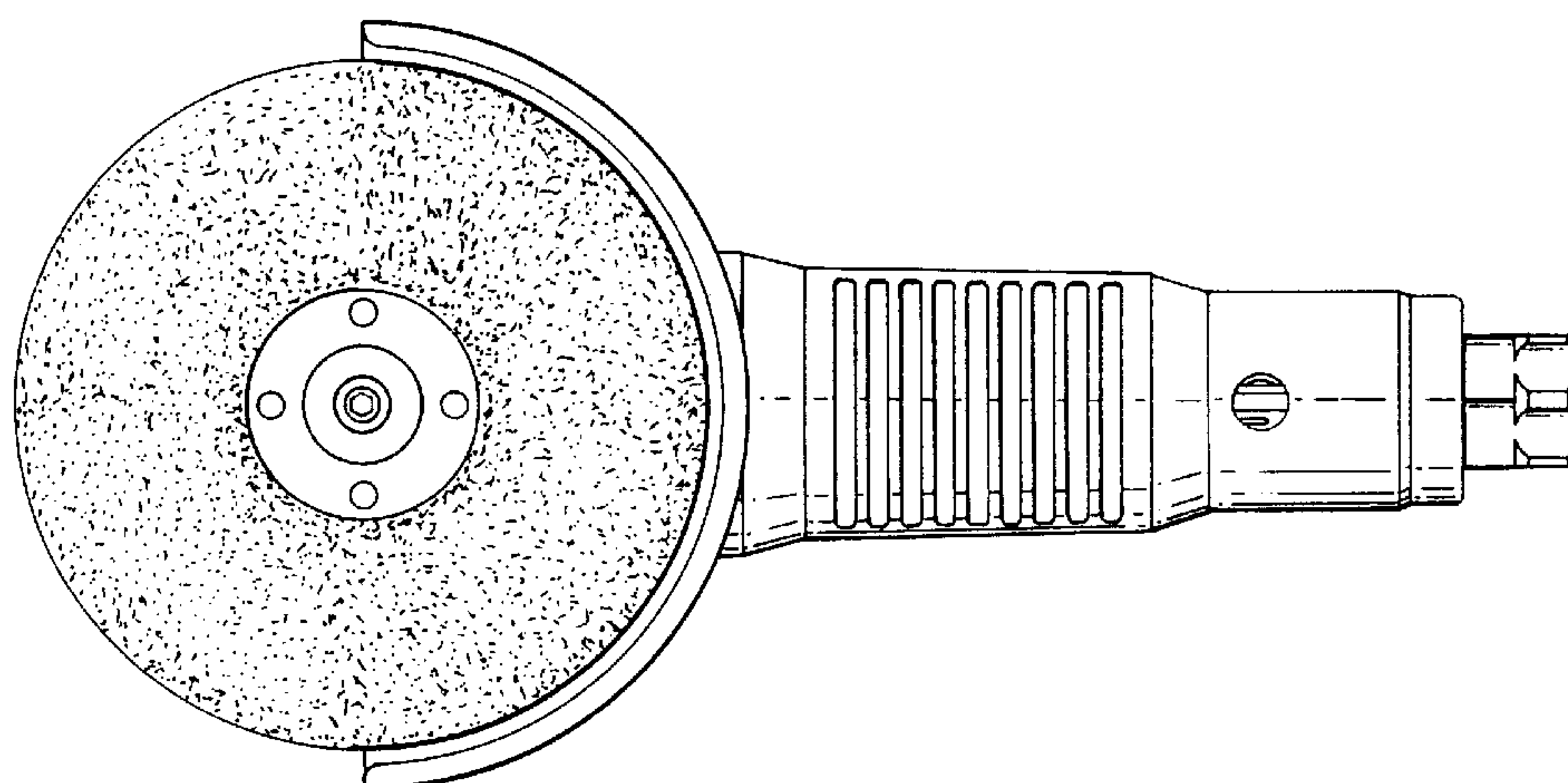


FIG. 6

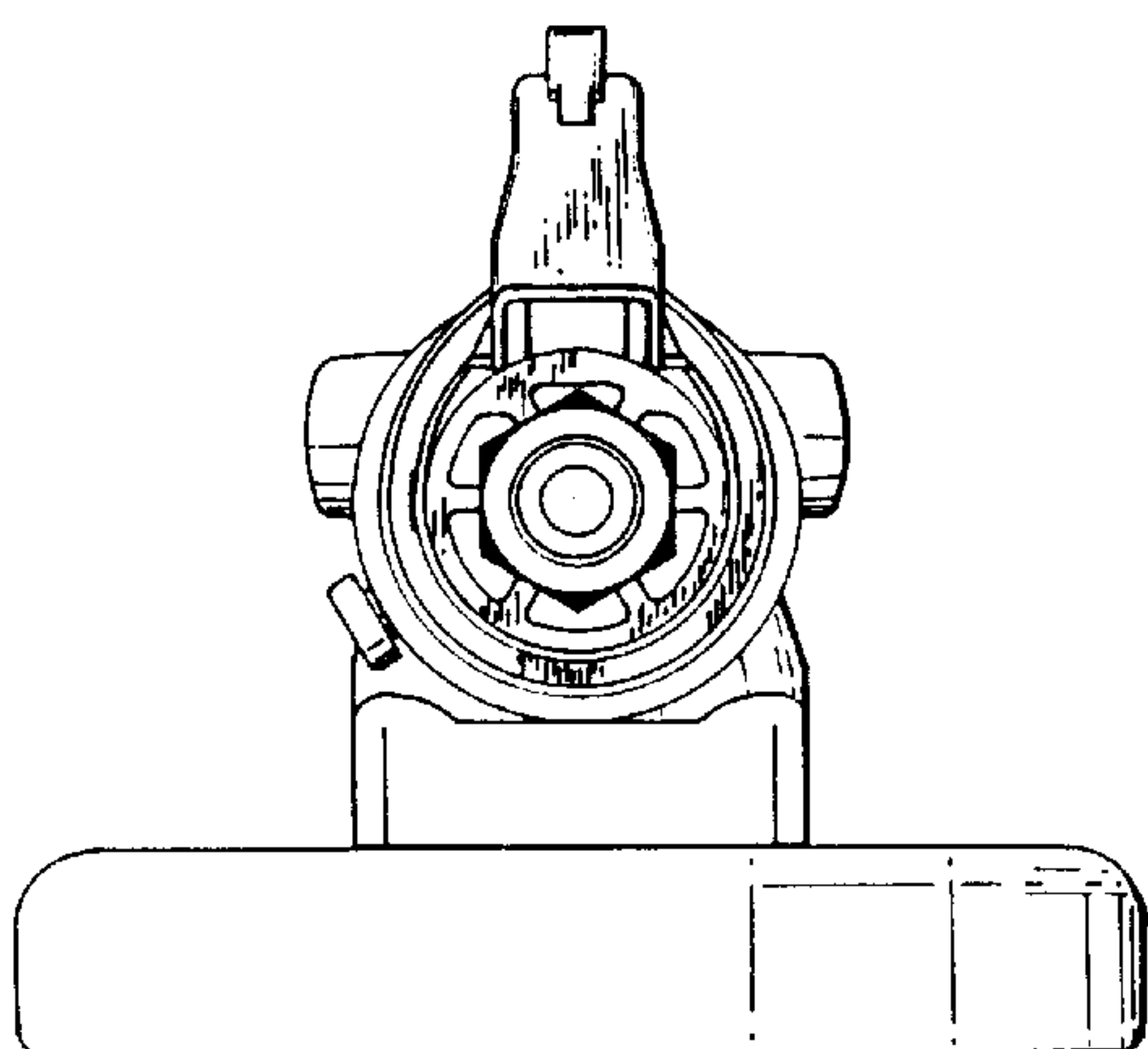


FIG. 7

