



US00D411422S

United States Patent [19]

Juhlin et al.

[11] Patent Number: **Des. 411,422**

[45] Date of Patent: **** Jun. 22, 1999**

[54] **STAPLING MACHINE**

[75] Inventors: **Sven-Eric Juhlin**, Stockholm; **Maria Benktzon**, Sollentuna, both of Sweden

[73] Assignee: **Isaberg Rapid AB**, Hestra, Sweden

[**] Term: **14 Years**

[21] Appl. No.: **29/092,793**

[22] Filed: **Aug. 26, 1998**

[30] Foreign Application Priority Data

Feb. 27, 1998 [GB] United Kingdom 2072927

[51] **LOC (6) Cl.** **19-02**

[52] **U.S. Cl.** **D8/49**

[58] **Field of Search** D8/49, 50, 61, D8/69; D19/65, 72; 227/127, 128, 132, 134, 156, 120

[56] References Cited

U.S. PATENT DOCUMENTS

- D. 231,767 6/1974 Power et al. D8/49
- D. 284,446 7/1986 Rosenbald D8/49

- D. 287,094 12/1986 Jacoff D8/49
- D. 308,323 6/1990 Wingert D8/49
- 4,552,296 11/1985 Sheng 227/132
- 5,660,315 8/1997 Beavers et al. 227/156

OTHER PUBLICATIONS

Hardware Age, (Stanley's professional stapler 69-500 SP) Sep. 1986.

Primary Examiner—Adir Aronovich
Attorney, Agent, or Firm—Vorys, Sater, Seymour and Pease LLP

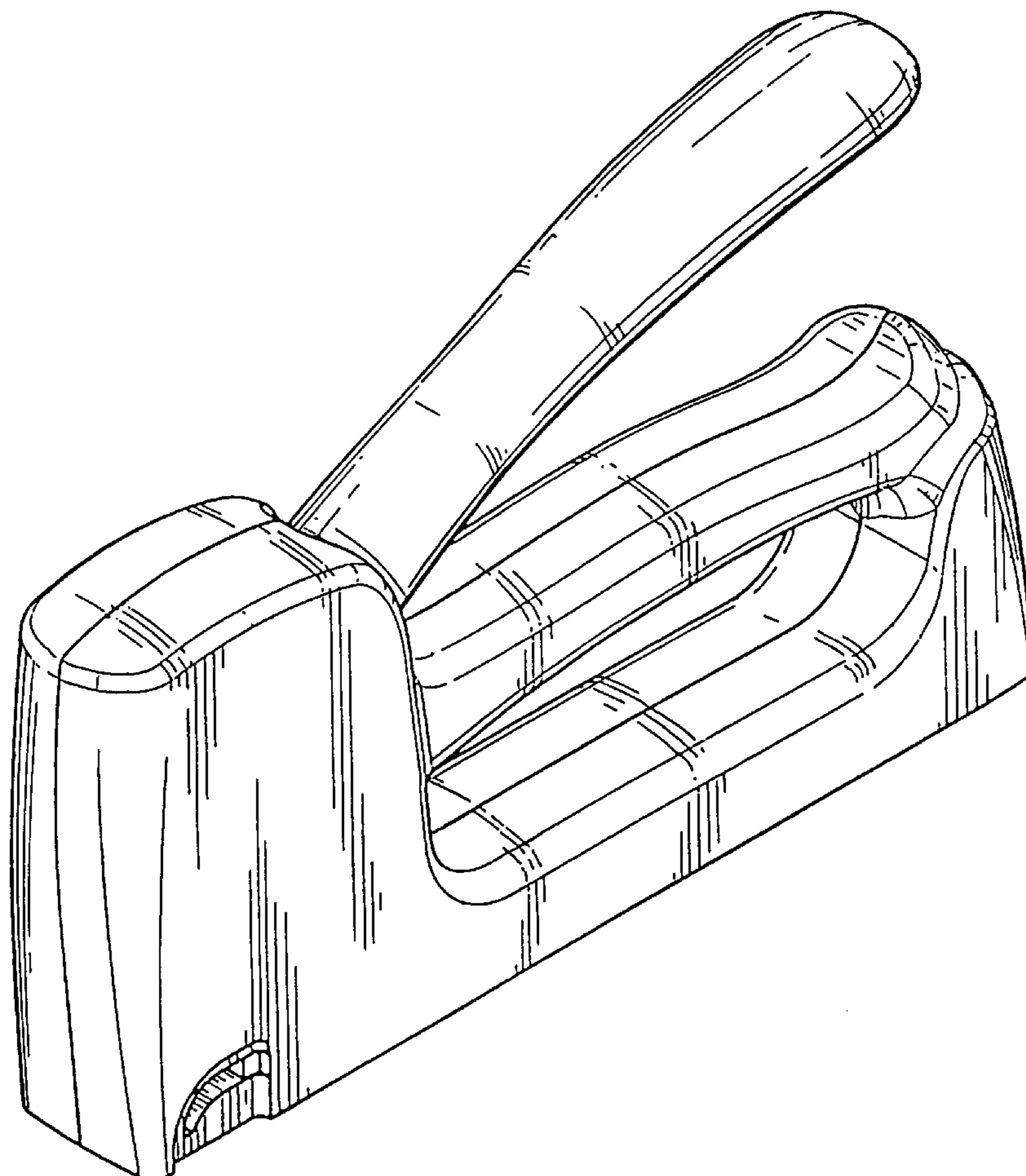
[57] CLAIM

The ornamental design for a stapling machine, as shown and described.

DESCRIPTION

FIG. 1 is a perspective view showing the top side, the left side and the front of the stapling machine according to the new design;
FIG. 2 is a perspective view showing the underside, the left side and the rear side of the stapling machine; and,
FIG. 3 shows the stapling machine from the right.

1 Claim, 3 Drawing Sheets



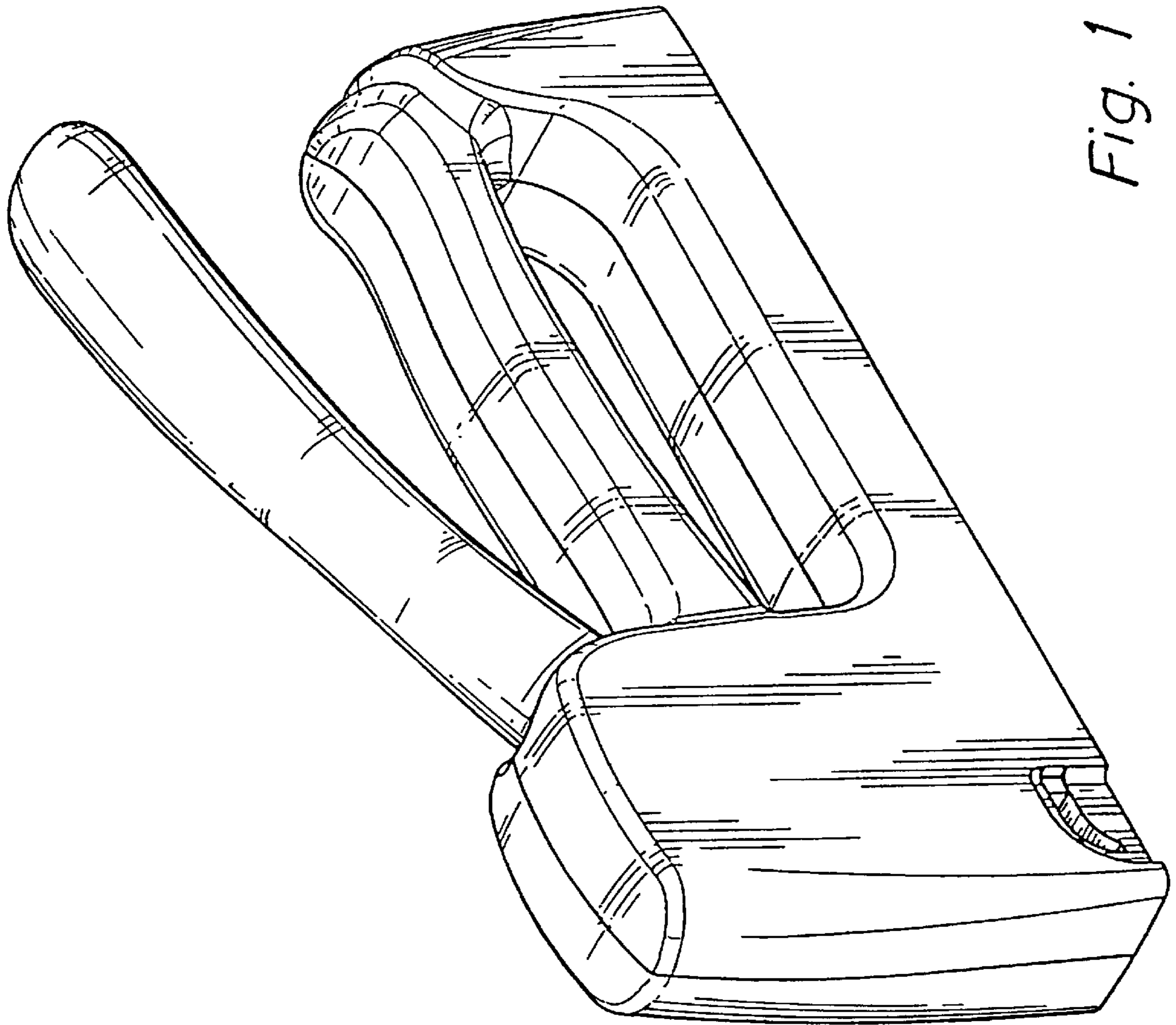


Fig. 1

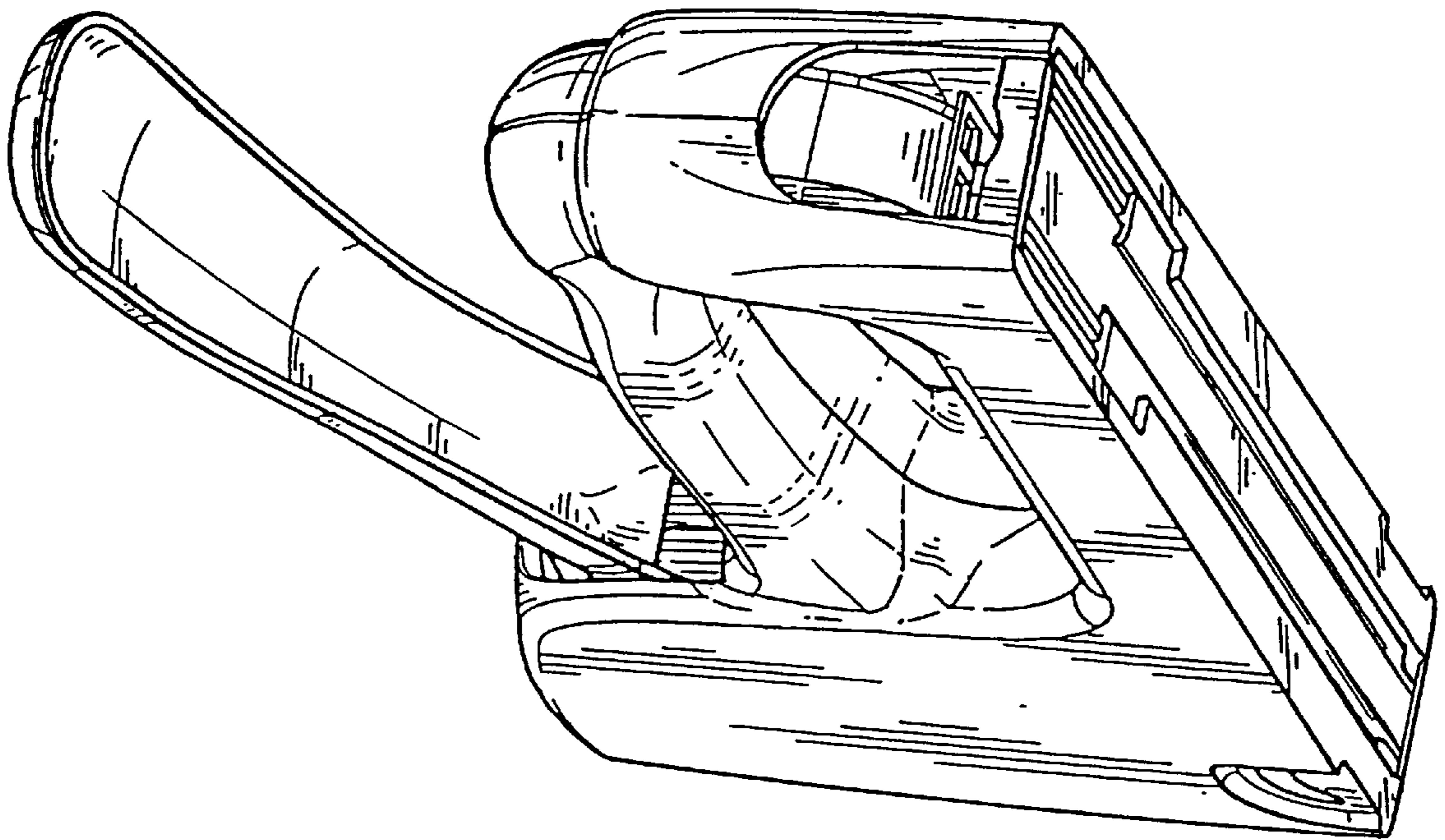


Fig. 2

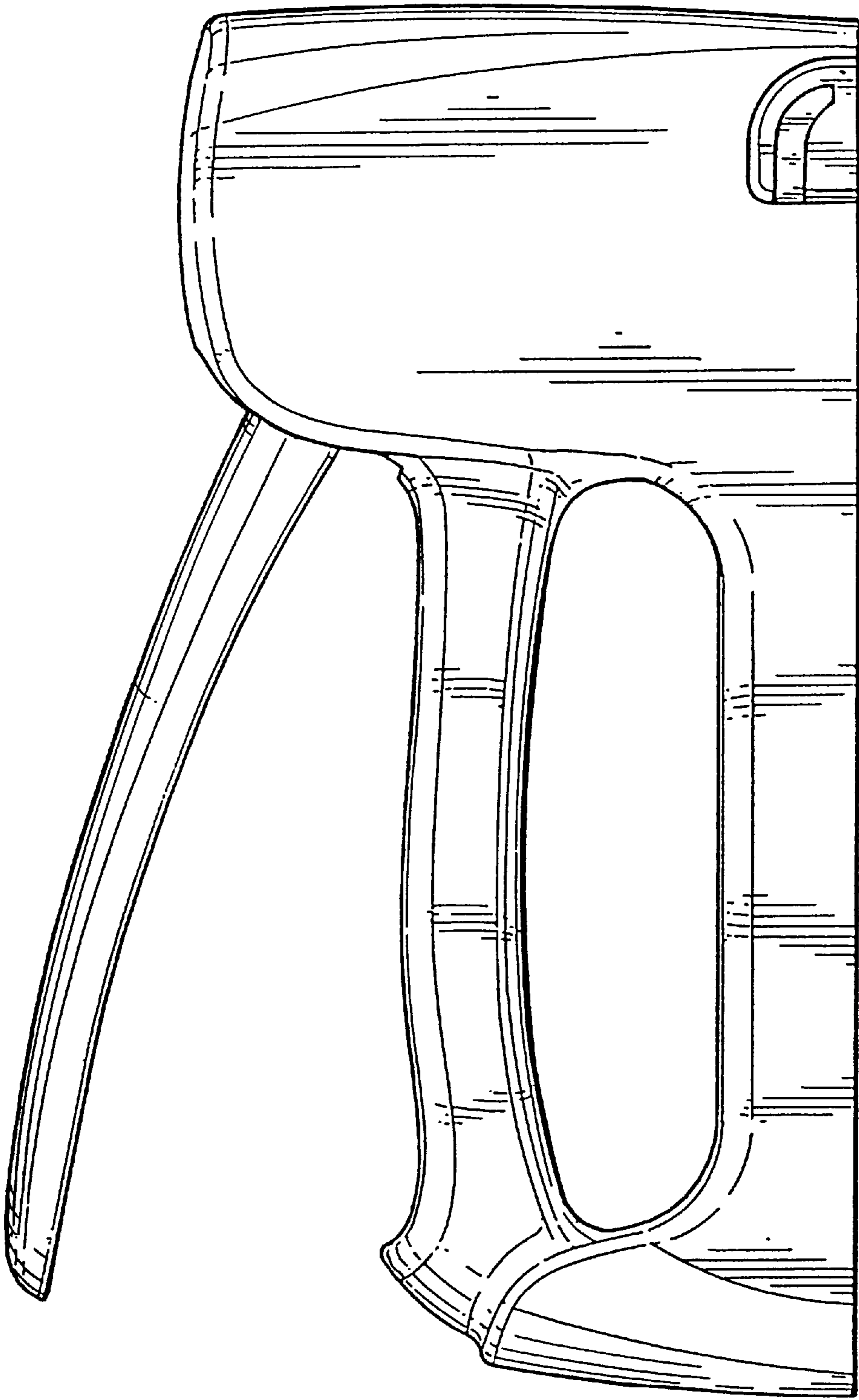


Fig. 3