



US00D411407S

United States Patent [19]

Anthony

[11] **Patent Number: Des. 411,407**

[45] **Date of Patent: ** Jun. 22, 1999**

[54] **PORTABLE MICROWAVE OVEN**

[76] Inventor: **Sita Anthony**, 8740 N. Sherman Cir.
#403, Miramar, Fla. 33025

[**] Term: **14 Years**

[21] Appl. No.: **29/091,836**

[22] Filed: **Aug. 6, 1998**

[51] **LOC (6) Cl. 07-02**

[52] **U.S. Cl. D7/351**

[58] **Field of Search** D7/350, 351, 405,
D7/406; 126/273 R, 273 A, 275 E, 19 M,
21 A; 219/678, 740, 756, 758

[56] **References Cited**

U.S. PATENT DOCUMENTS

D. 104,444	5/1937	Fader	D7/350
D. 240,349	6/1976	Wagen	D7/351
D. 249,449	9/1978	Pink et al.	D7/351

D. 280,968	10/1985	Song	D7/351
D. 290,082	6/1987	Song	D7/351
D. 303,607	9/1989	Saito	D7/351
D. 352,866	11/1994	Kindley et al.	D7/351
D. 375,224	11/1996	Lilly	D7/351

Primary Examiner—Ruth McInroy

[57] **CLAIM**

The ornamental design for a portable microwave oven, as shown.

DESCRIPTION

FIG. 1 is a front elevational view of a portable microwave oven showing my new design;
FIG. 2 is a rear elevational view thereof;
FIG. 3 is a left side elevational view thereof;
FIG. 4 is a right side elevational view thereof;
FIG. 5 is a top plan view thereof; and,
FIG. 6 is a bottom plan view thereof.

1 Claim, 3 Drawing Sheets

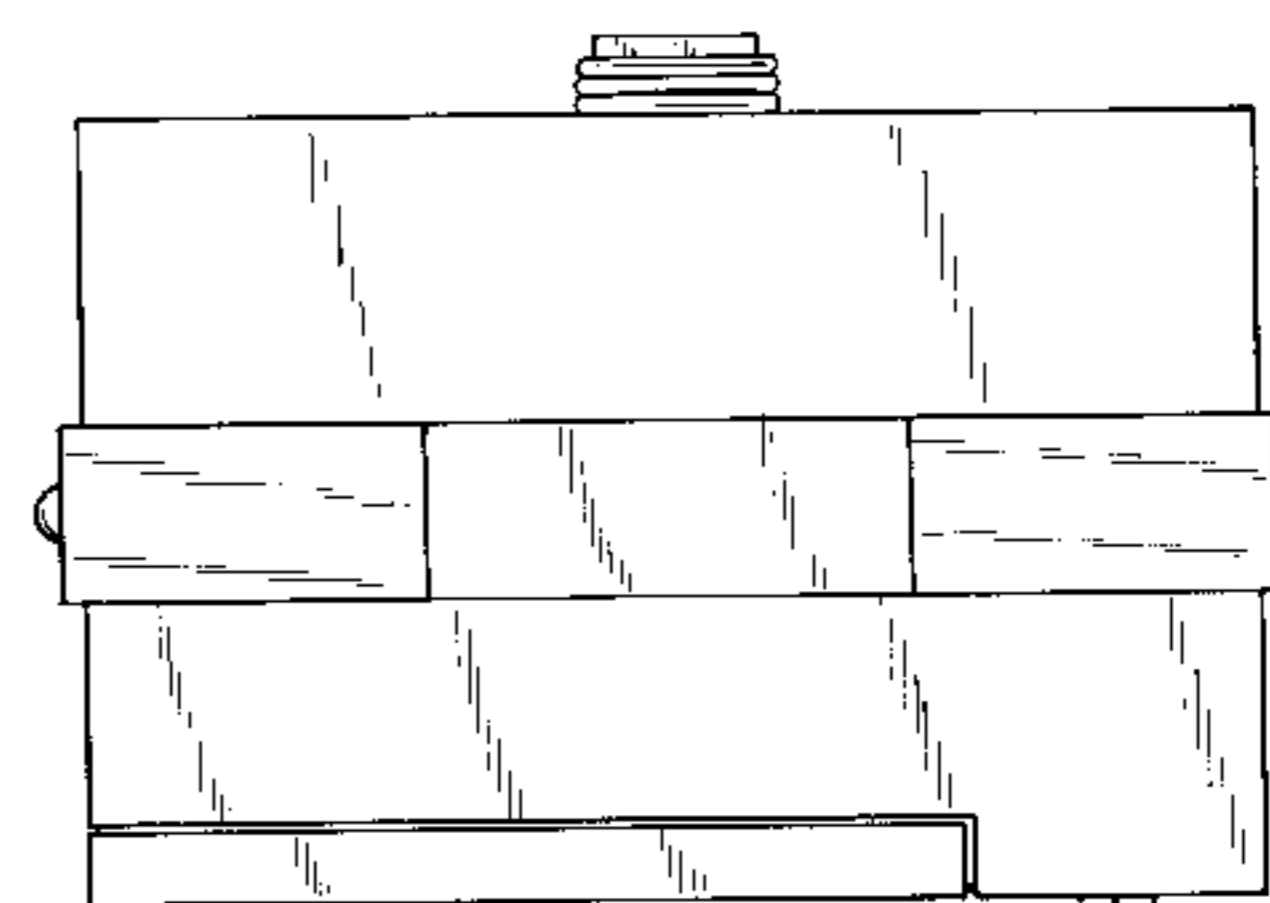
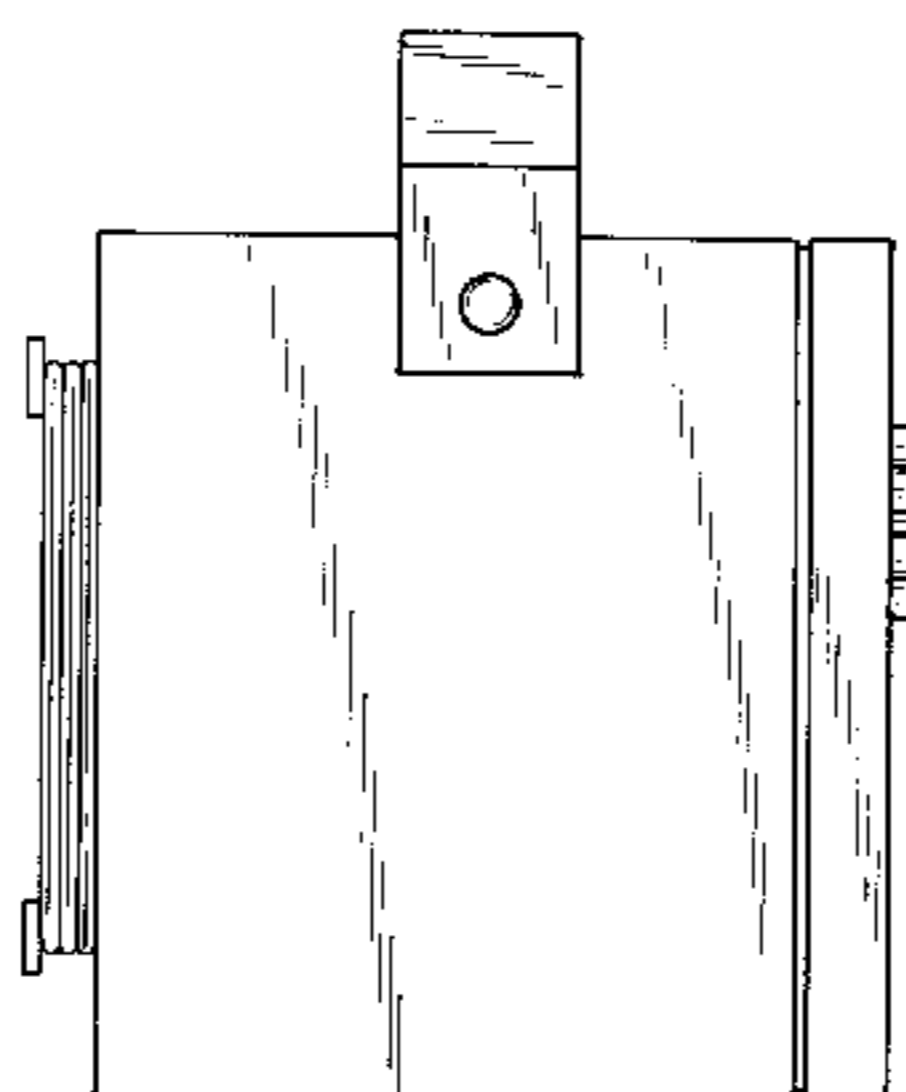
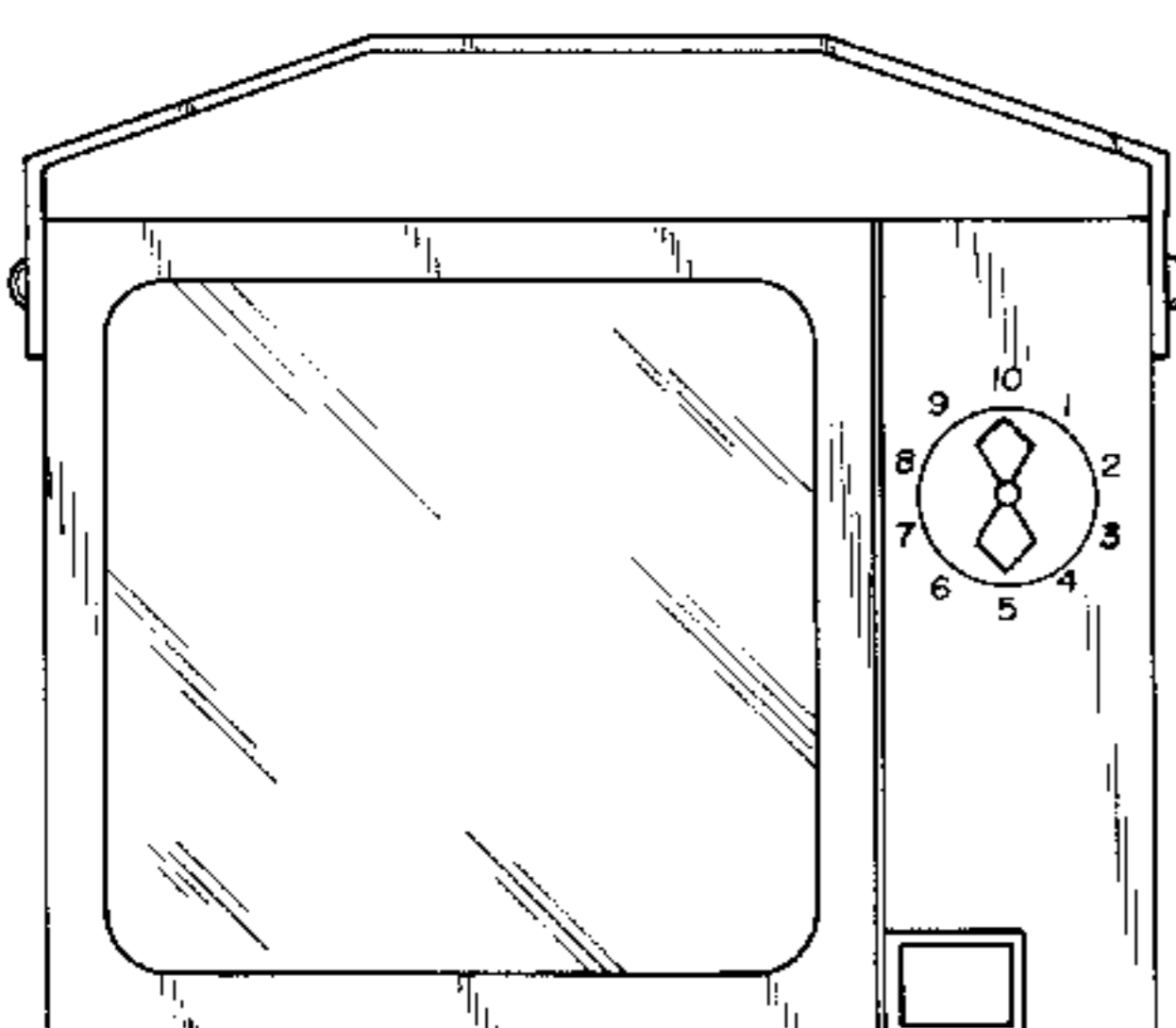


FIG. 1

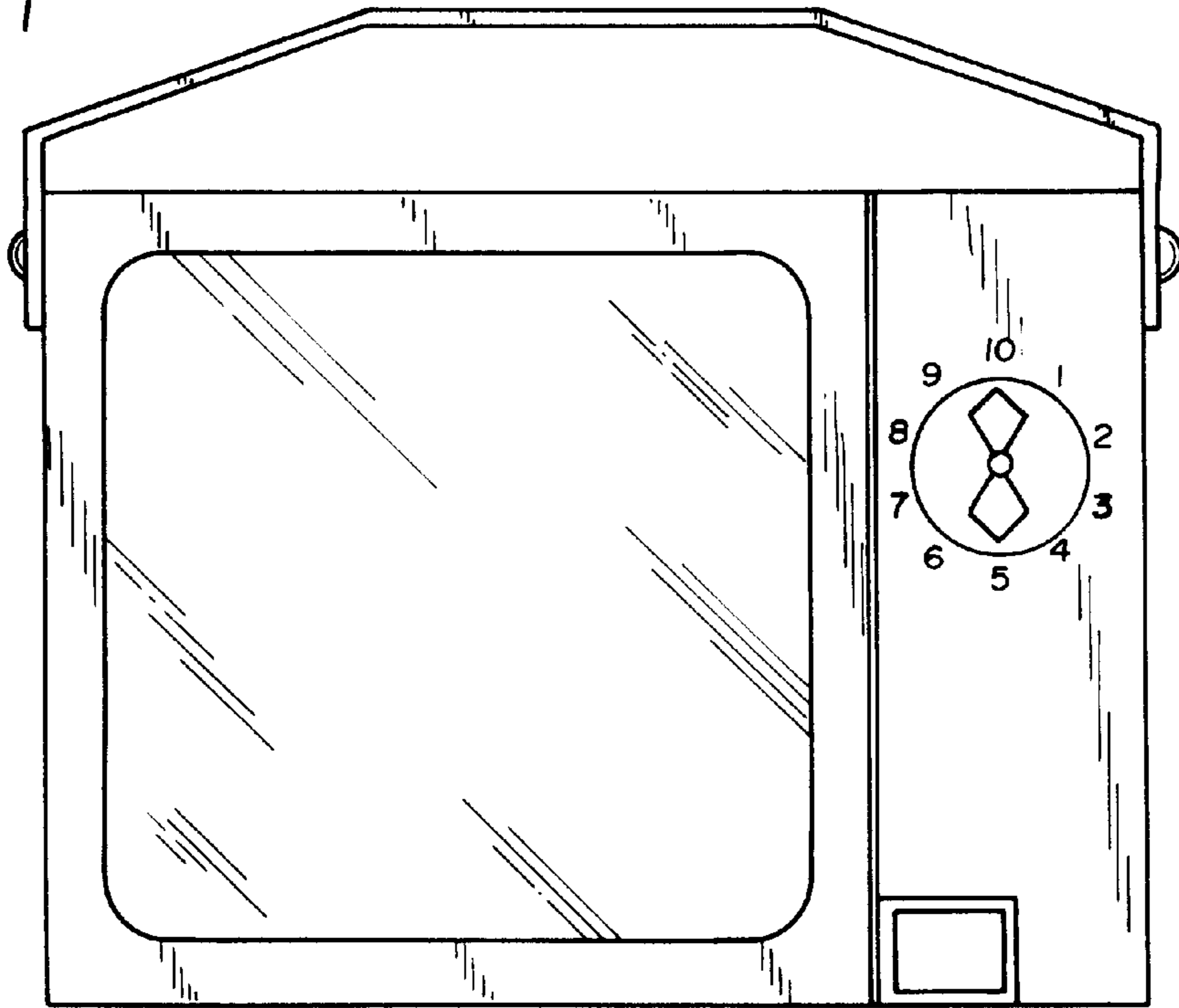


FIG. 2

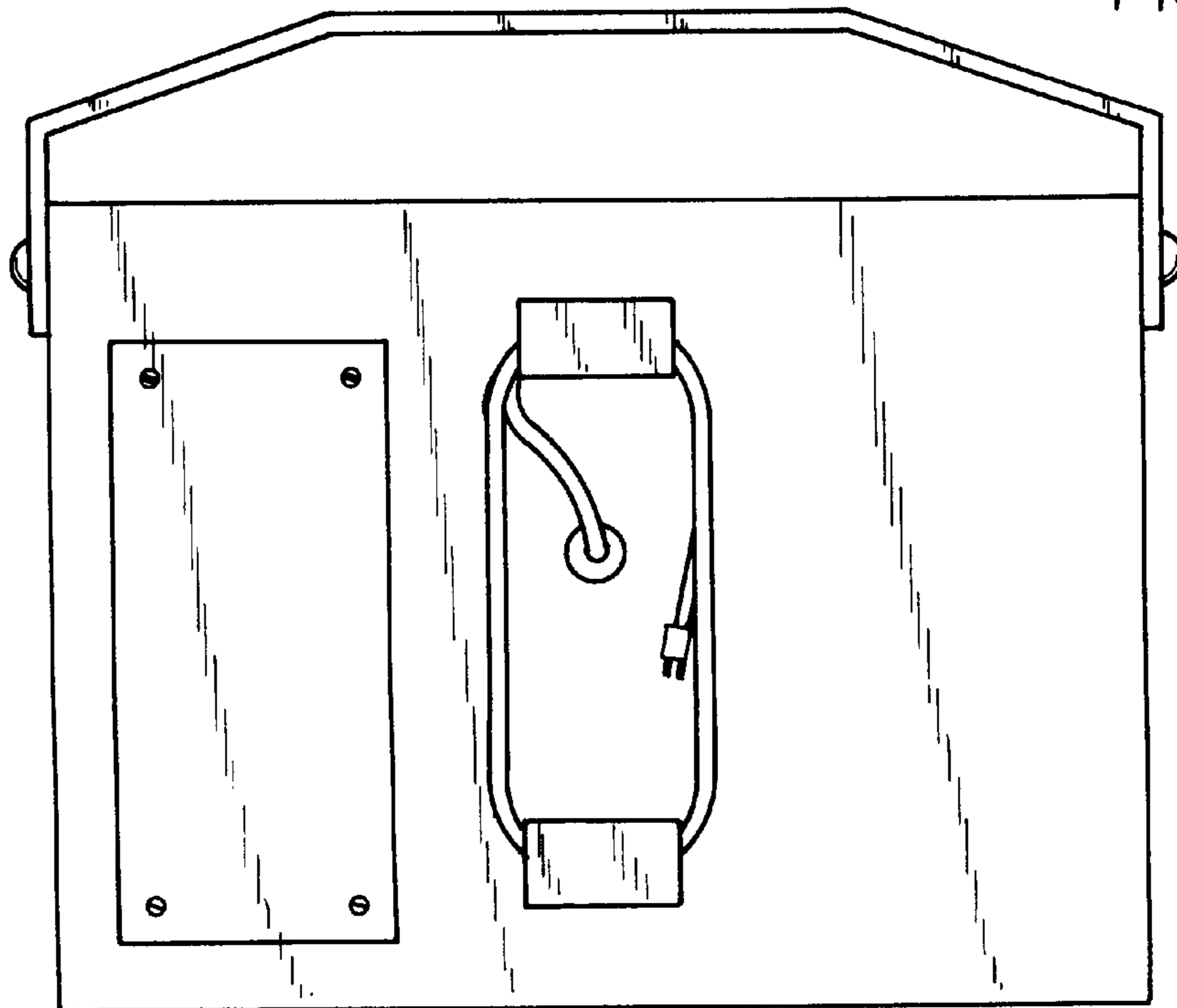


FIG. 3

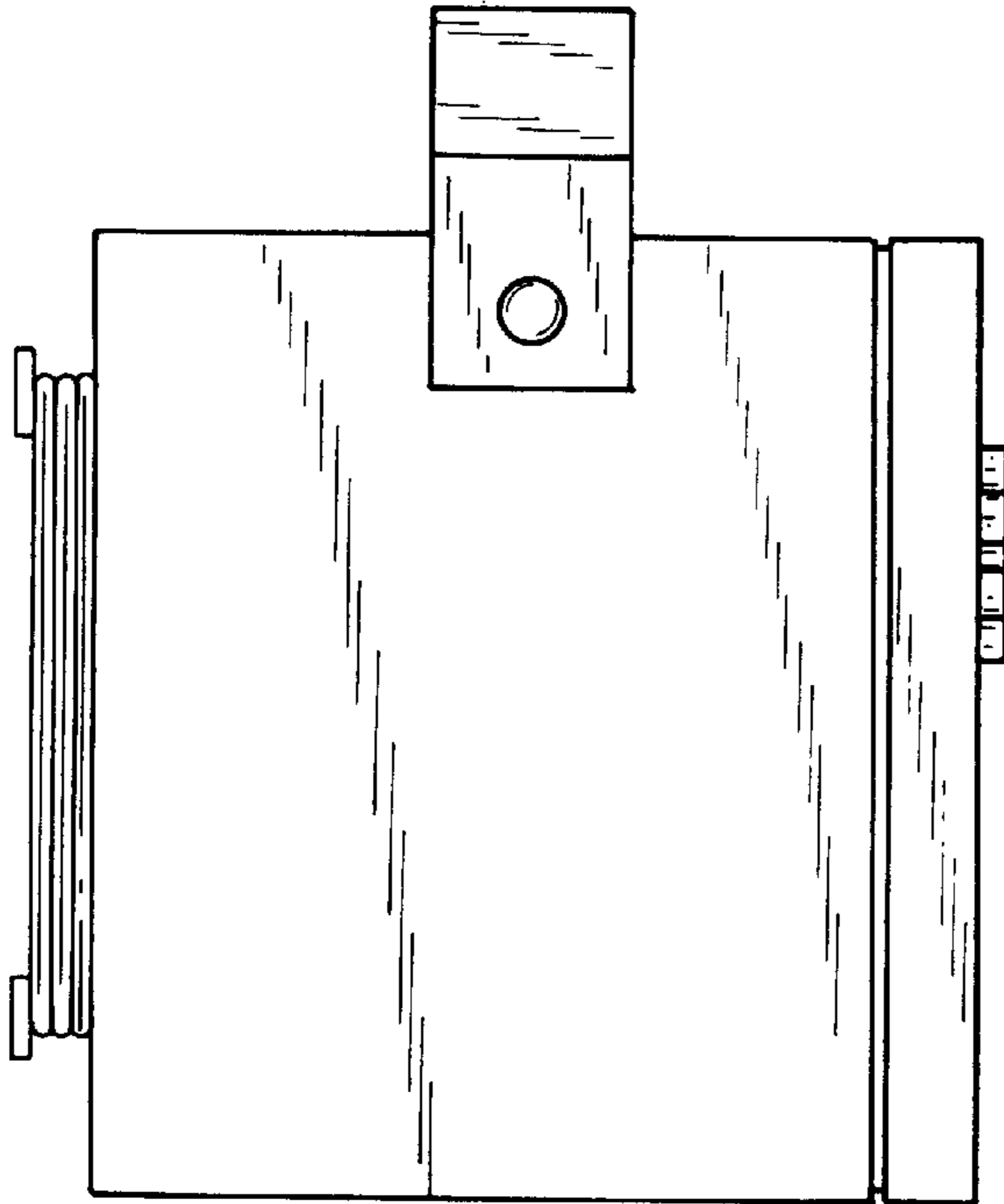


FIG. 4

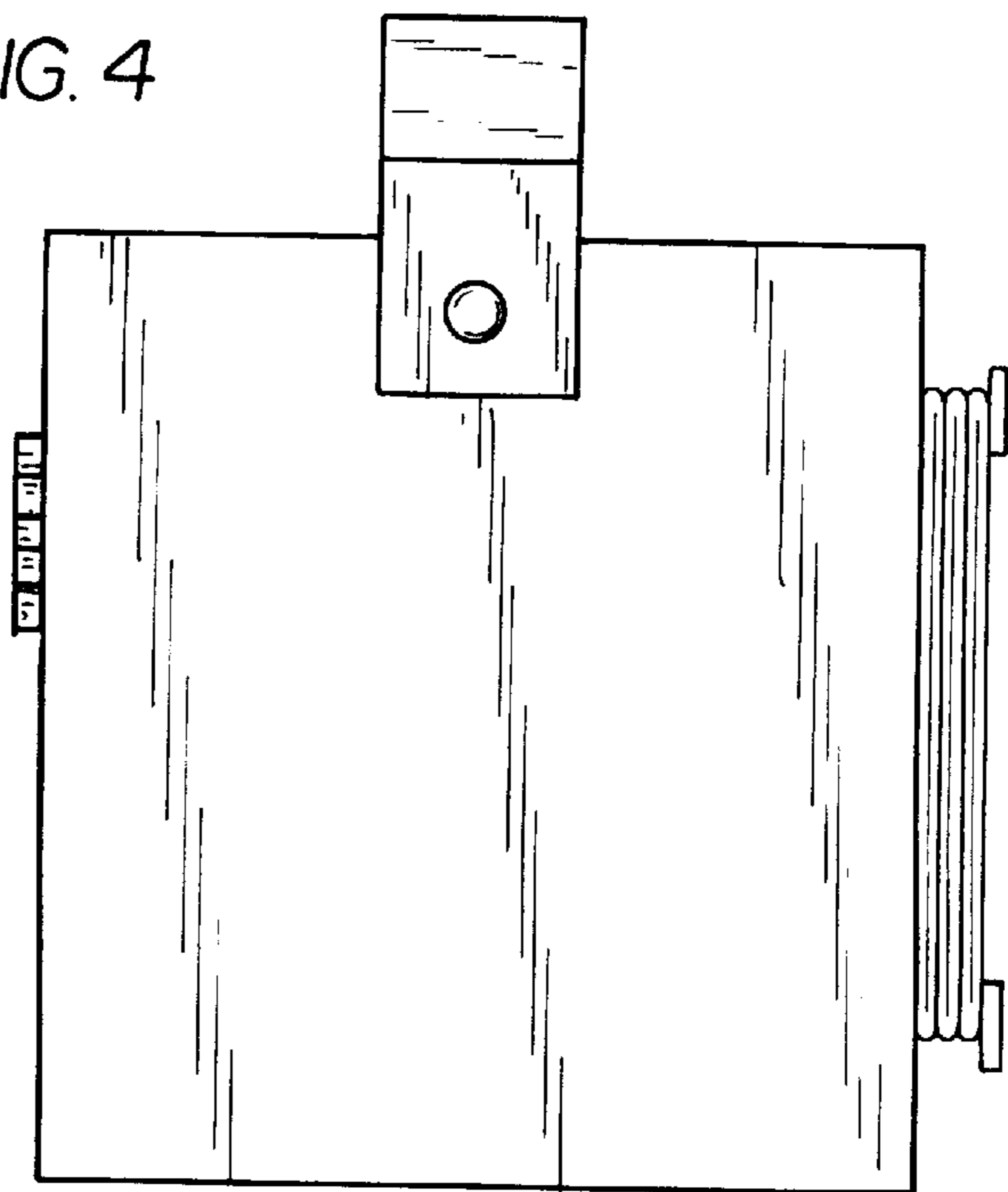


FIG. 5

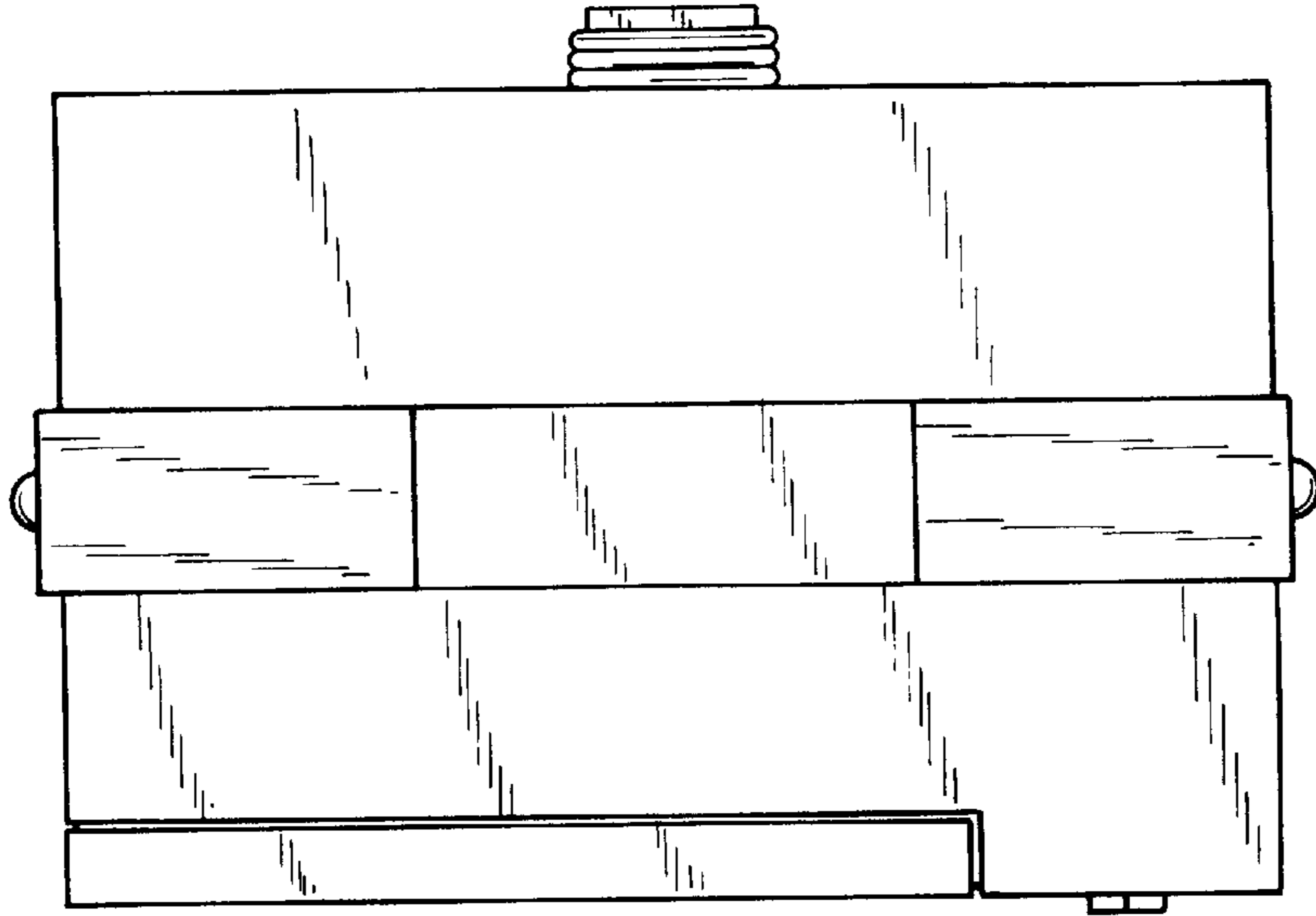


FIG. 6

