



US00D411405S

United States Patent [19] Thurlow

[11] **Patent Number: Des. 411,405**

[45] **Date of Patent: ** Jun. 22, 1999**

[54] **KETTLE**

[76] Inventor: **Heida L. Thurlow**, 10814 Riverview,
Houston, Tex. 77042

[**] Term: **14 Years**

[21] Appl. No.: **29/077,102**

[22] Filed: **Sep. 19, 1997**

[51] **LOC (6) Cl.** **07-01**

[52] **U.S. Cl.** **D7/321; D7/312**

[58] **Field of Search** D7/319, 300, 312,
D7/321, 322; 222/475, 472, 482; 219/437

[56] **References Cited**

U.S. PATENT DOCUMENTS

D. 42,957	9/1912	Casey	D7/312
D. 102,524	12/1936	Stark	D7/312
D. 103,957	4/1937	Salisbury et al.	D7/321
D. 172,077	5/1954	Barnhart	D7/321
D. 272,884	3/1984	Seibel	D7/321

D. 289,001	3/1987	Thurlow	D7/321
D. 382,436	8/1997	Thurlow	D7/322

Primary Examiner—M. N. Pandozzi
Attorney, Agent, or Firm—Bush, Riddle & Jackson

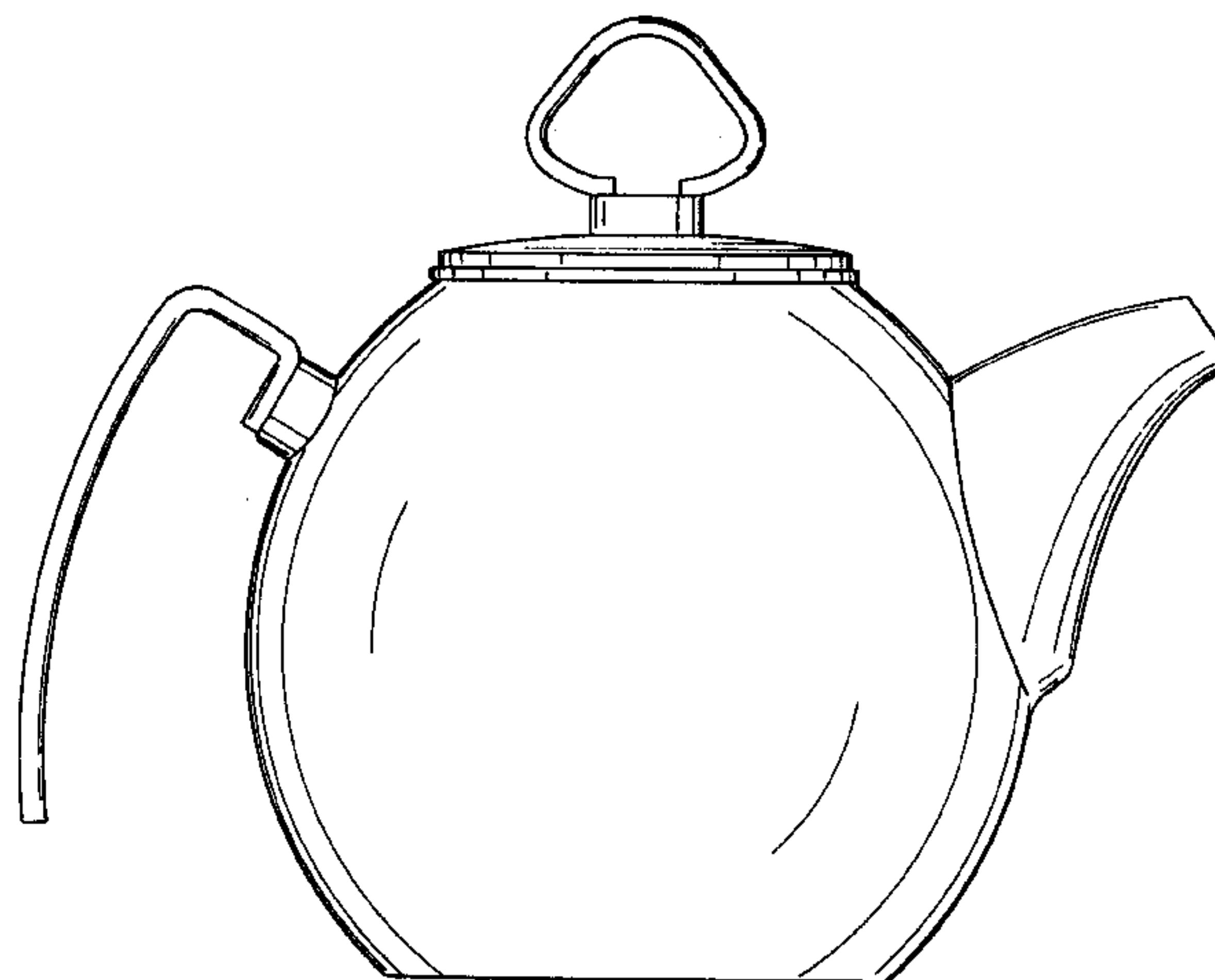
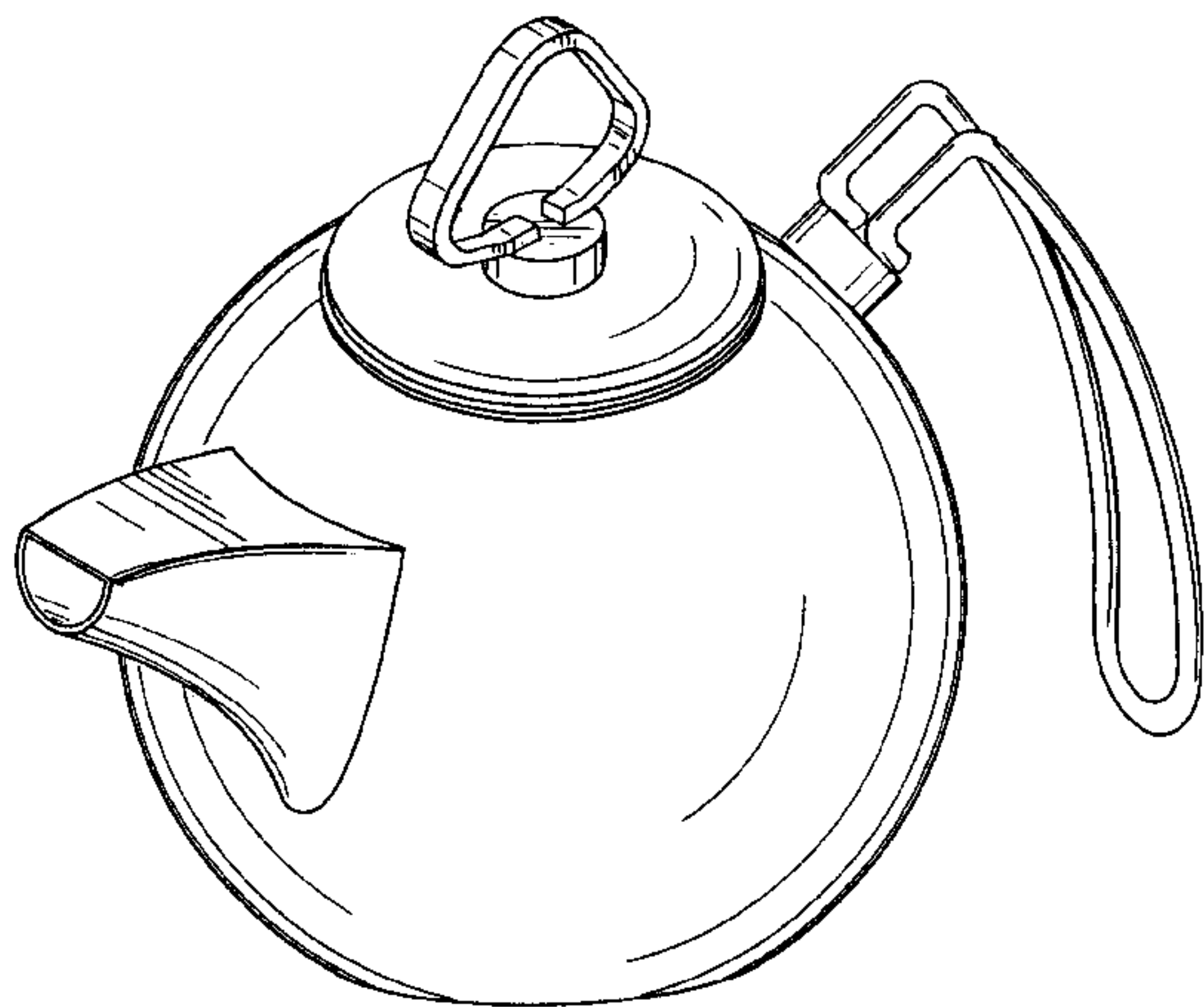
[57] **CLAIM**

The ornamental design for a kettle, as shown and described.

DESCRIPTION

FIG. 1 is a top, front, and right side perspective view of a kettle showing my new design;
FIG. 2 is a rear elevational view of the kettle shown in FIG. 1;
FIG. 3 is a top plan view of the kettle shown in FIG. 1;
FIG. 4 is a left side elevational view of the kettle shown in FIG. 1;
FIG. 5 is a front elevational view of the kettle shown in FIG. 1; and,
FIG. 6 is a bottom plan view of the kettle shown in FIG. 1.

1 Claim, 2 Drawing Sheets



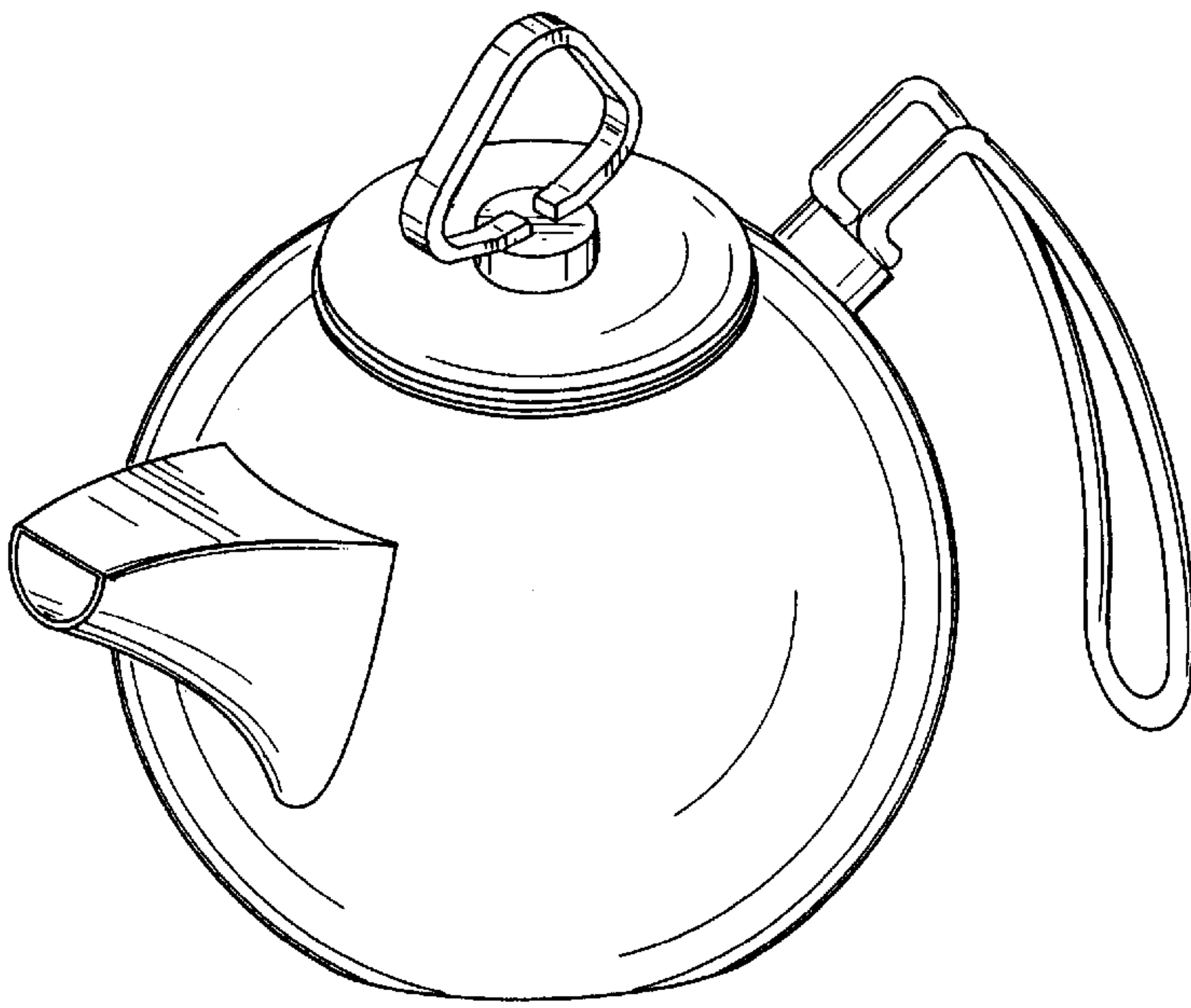


FIG. 1

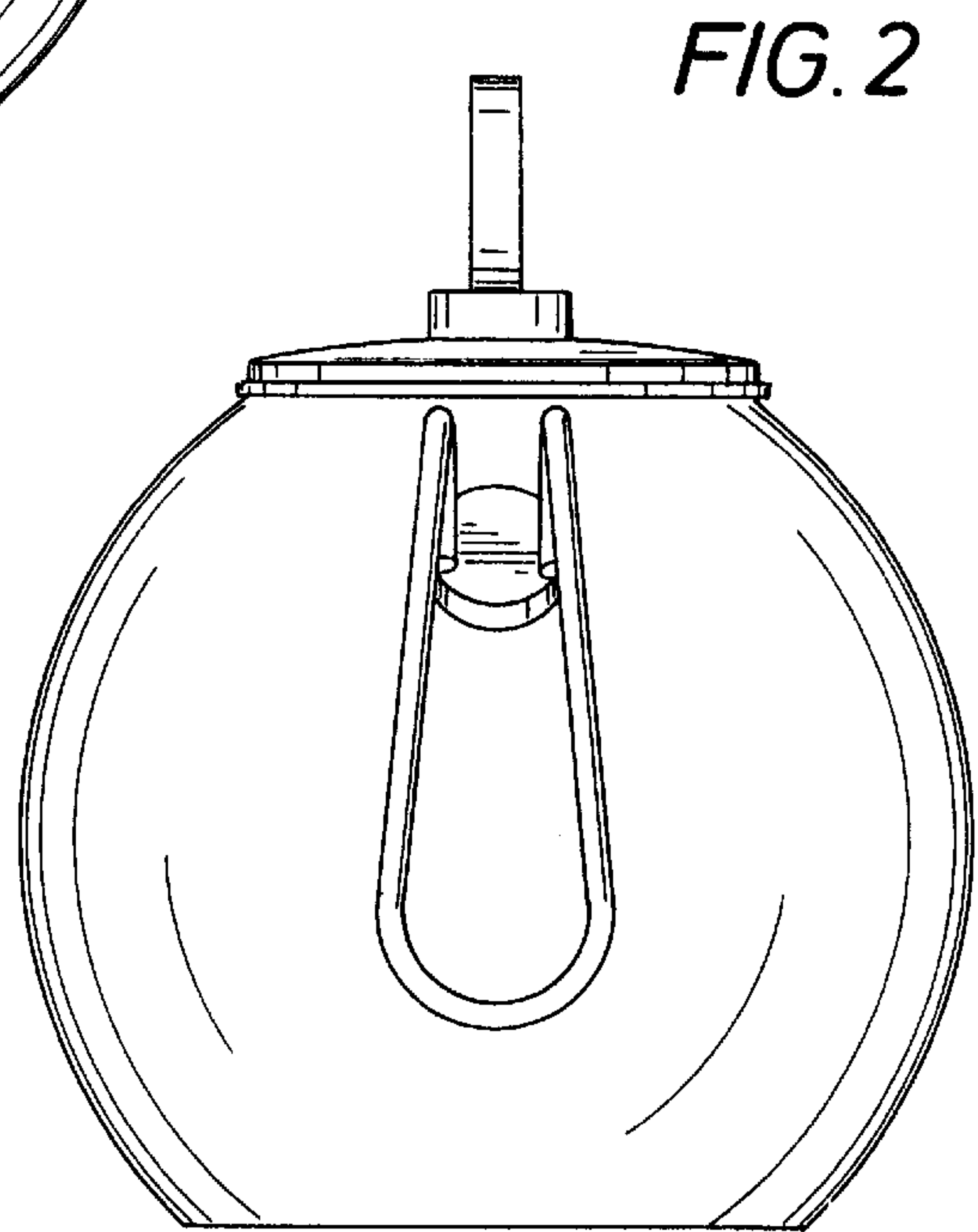


FIG. 2

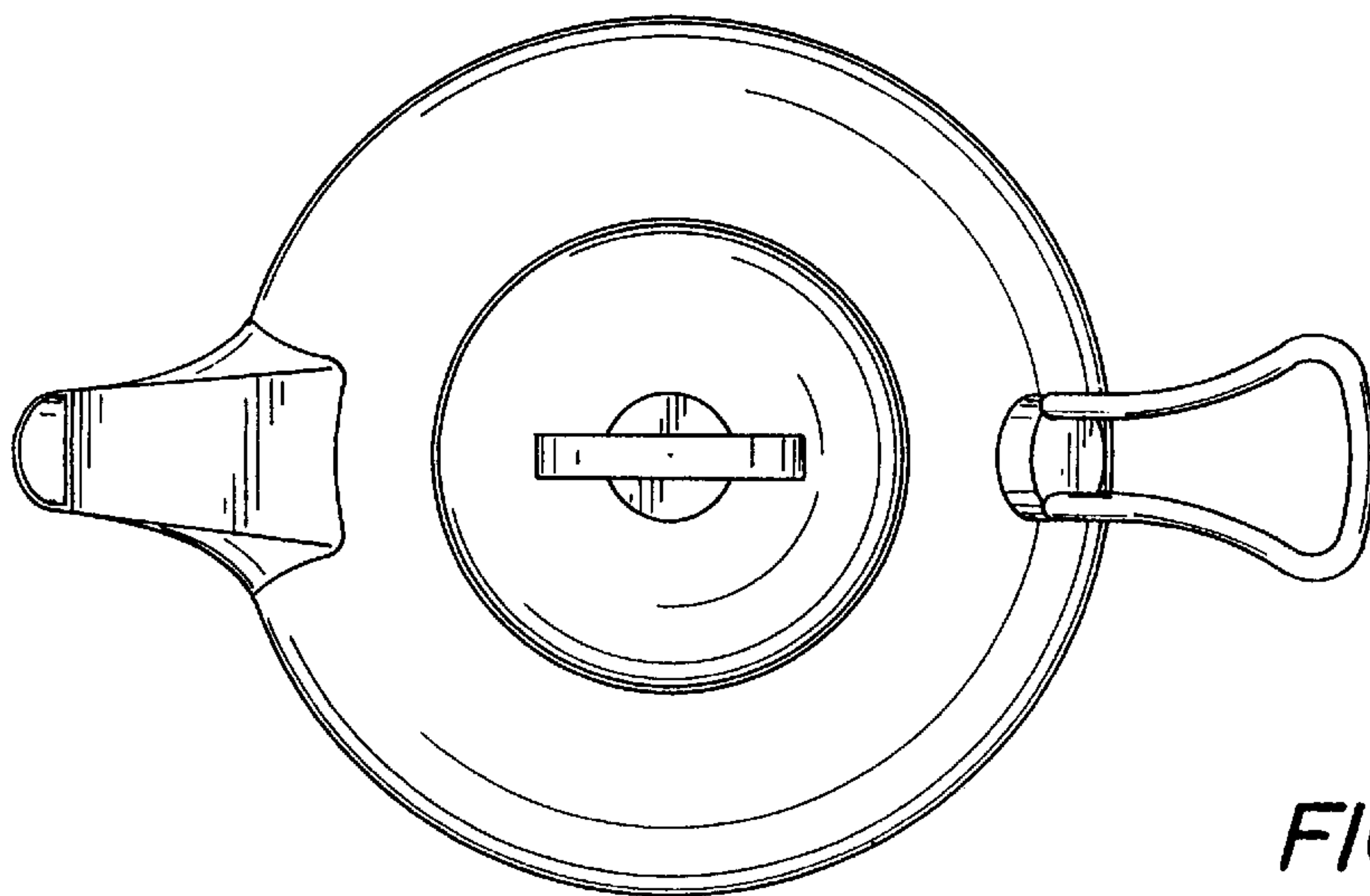


FIG. 3

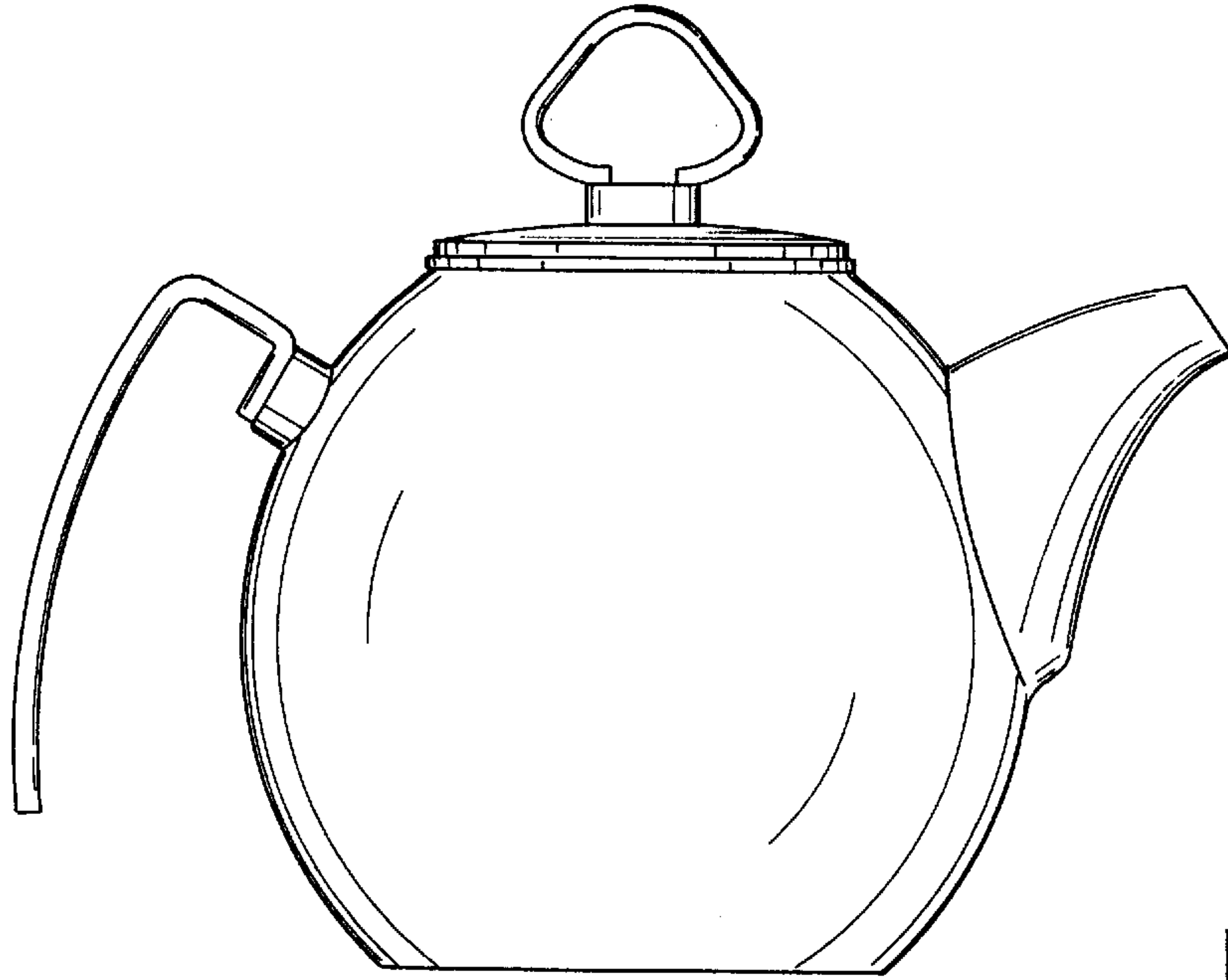


FIG. 4

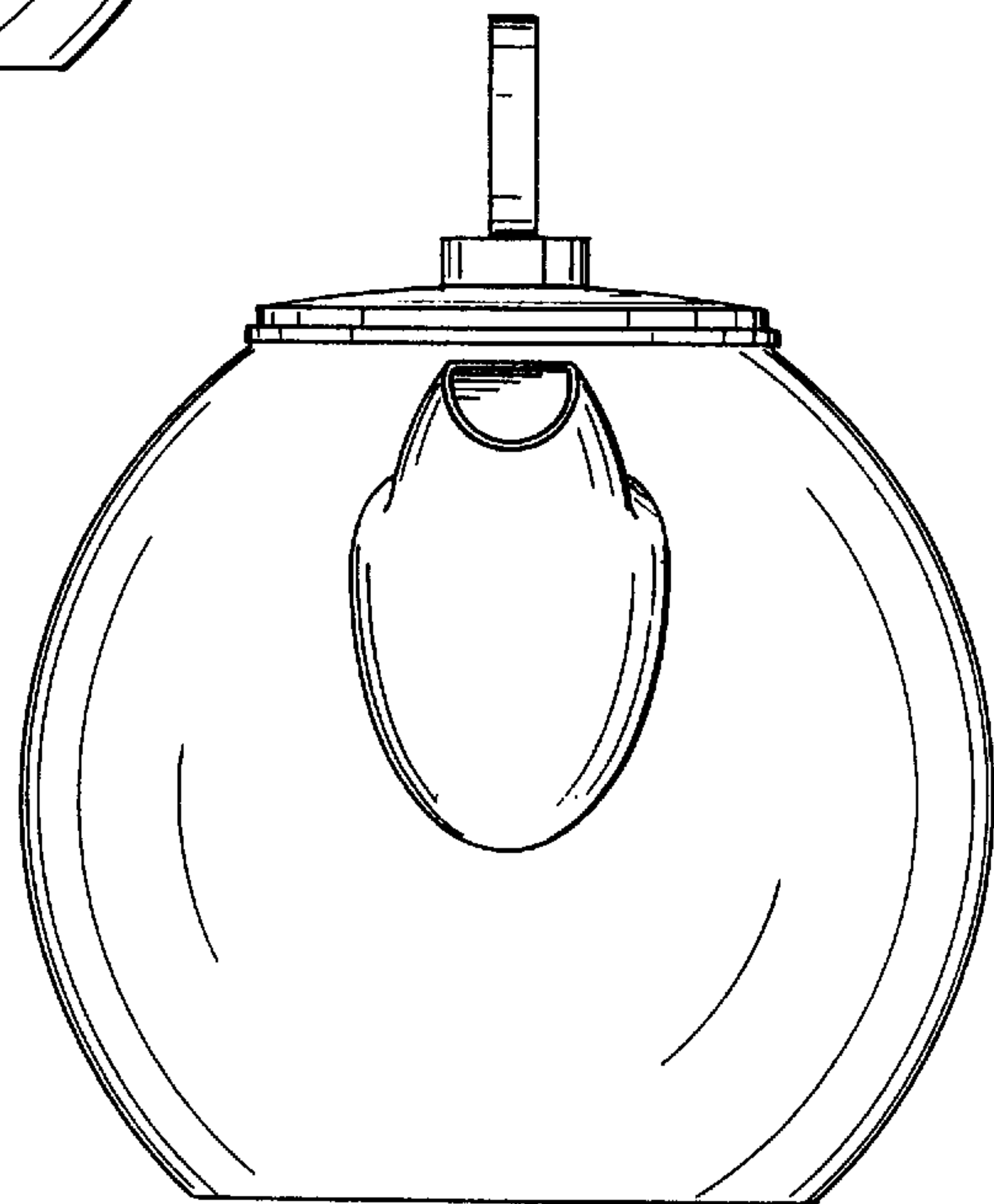


FIG. 5

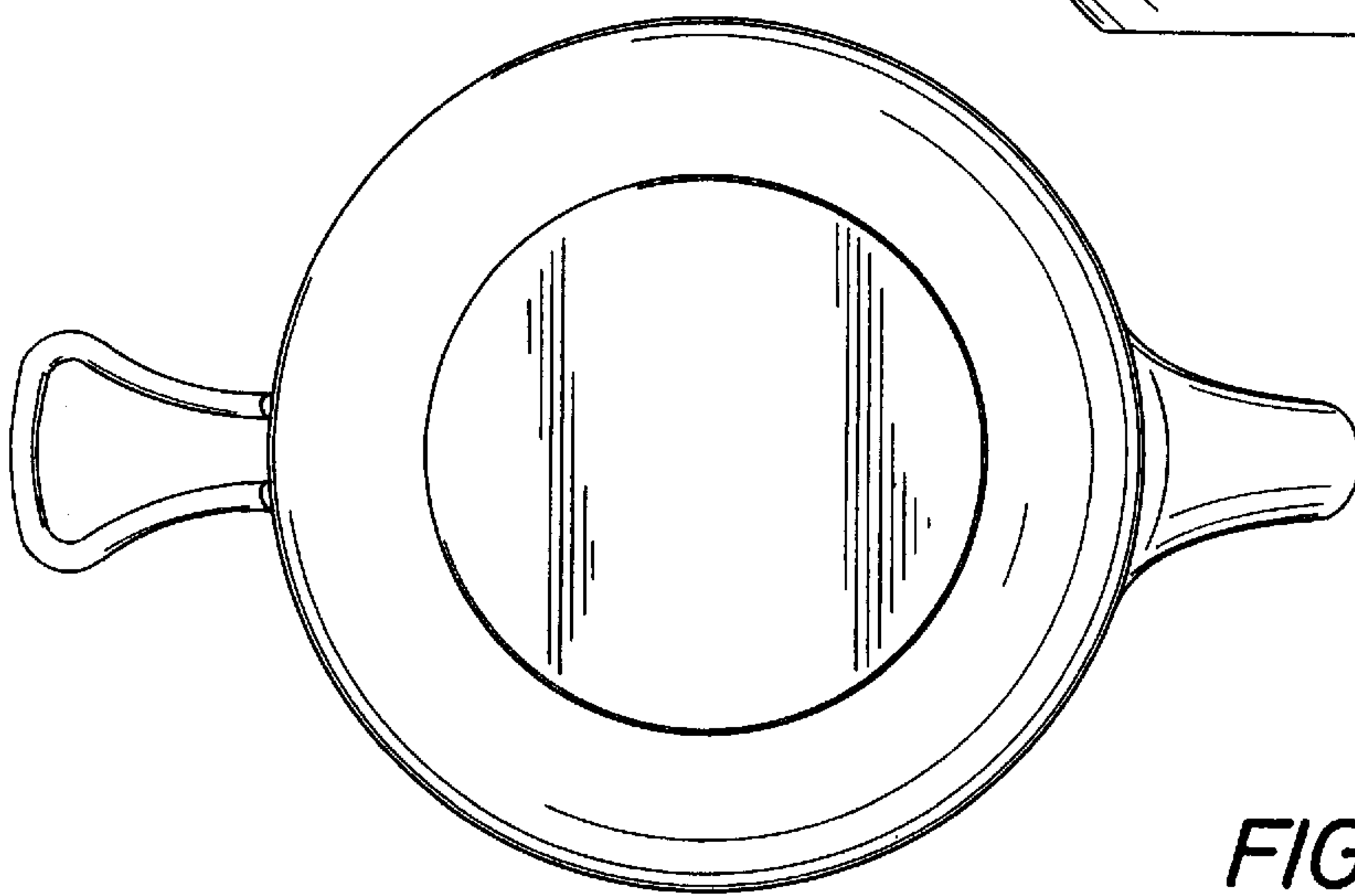


FIG. 6