



US00D411404S

United States Patent [19]
Littmann

[11] **Patent Number: Des. 411,404**
[45] **Date of Patent: ** Jun. 22, 1999**

[54] **COFFEE POT**
[75] Inventor: **Ludwig Littmann**, Kronberg, Germany
[73] Assignee: **Braun Aktiengesellschaft**, Germany
[**] Term: **14 Years**

D. 346,525 5/1994 Littmann D7/317
D. 355,329 2/1995 Ullmann D7/317
D. 369,058 4/1996 Simmons D7/319
D. 375,016 10/1996 Ullmann D7/319
D. 378,722 4/1997 Brady D7/319
D. 393,174 4/1998 Mork et al. D7/318
5,379,925 1/1995 Mothrath et al. 222/475.1

[21] Appl. No.: **29/093,606**
[22] Filed: **Sep. 15, 1998**

Primary Examiner—M. N. Pandozzi
Attorney, Agent, or Firm—Fish & Richardson P.C.

[30] **Foreign Application Priority Data**
Mar. 18, 1998 [DE] Germany M 98 02 651

[57] **CLAIM**
The ornamental design for a coffee pot, as shown and described.

[51] **LOC (6) Cl.** **07-01**
[52] **U.S. Cl.** **D7/319; D7/317**
[58] **Field of Search** D7/316, 317, 318,
D7/319, 312, 305, 321, 322; 222/465.1,
475.1, 472; 99/295

DESCRIPTION

FIG. 1 is a perspective front elevational view of a coffee pot from above, showing my design;
FIG. 2 is a front view of the appliance of FIG. 1;
FIG. 3 is a left side view thereof;
FIG. 4 is a right side view thereof;
FIG. 5 is a rear view thereof;
FIG. 6 is a top plan view thereof; and,
FIG. 7 is a bottom plan view thereof;

[56] **References Cited**
U.S. PATENT DOCUMENTS
D. 241,400 9/1976 Painter D7/318
D. 322,007 12/1991 Adams et al. D7/317
D. 326,206 5/1992 Racocy et al. D7/317

1 Claim, 4 Drawing Sheets

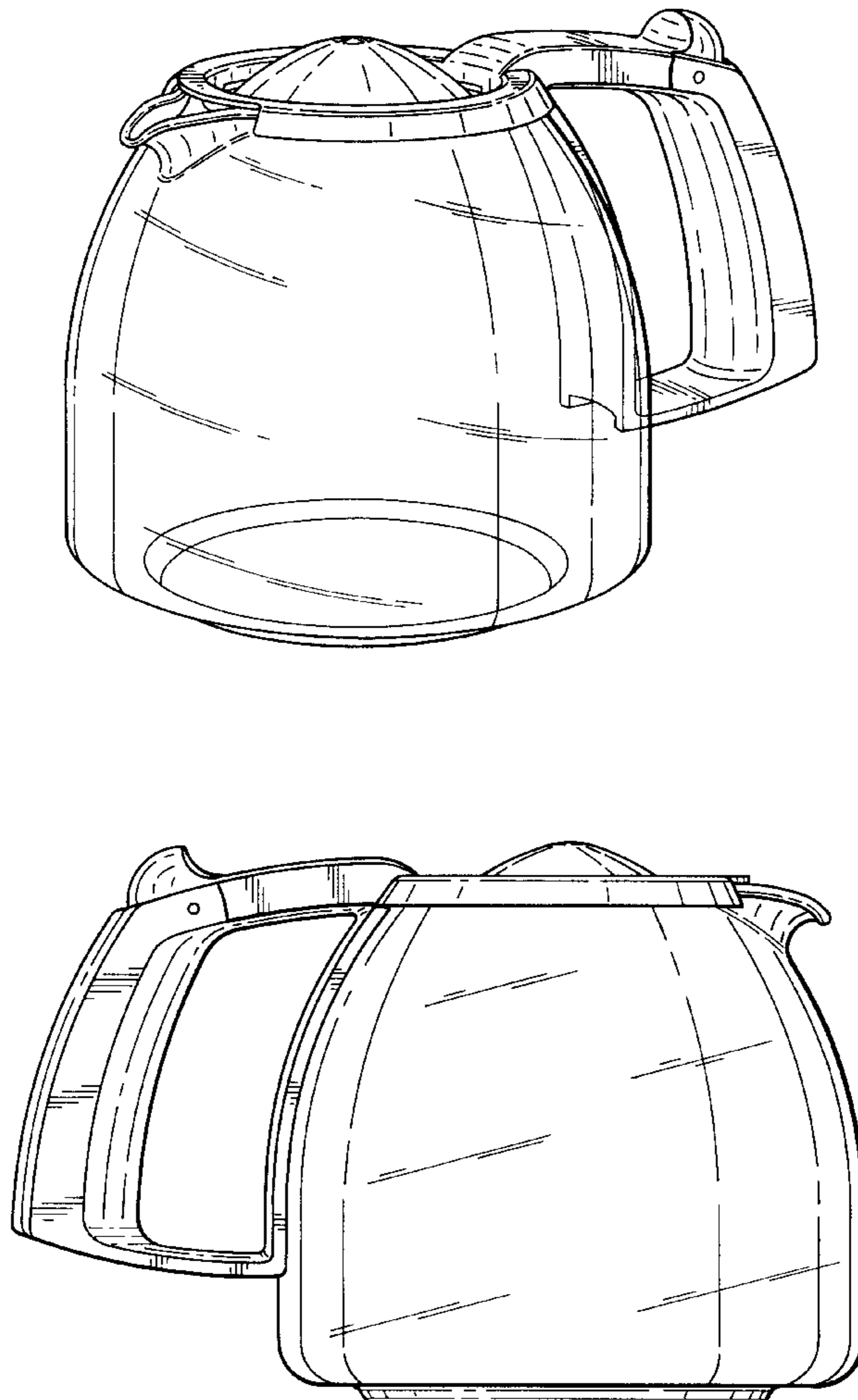


Fig. 1

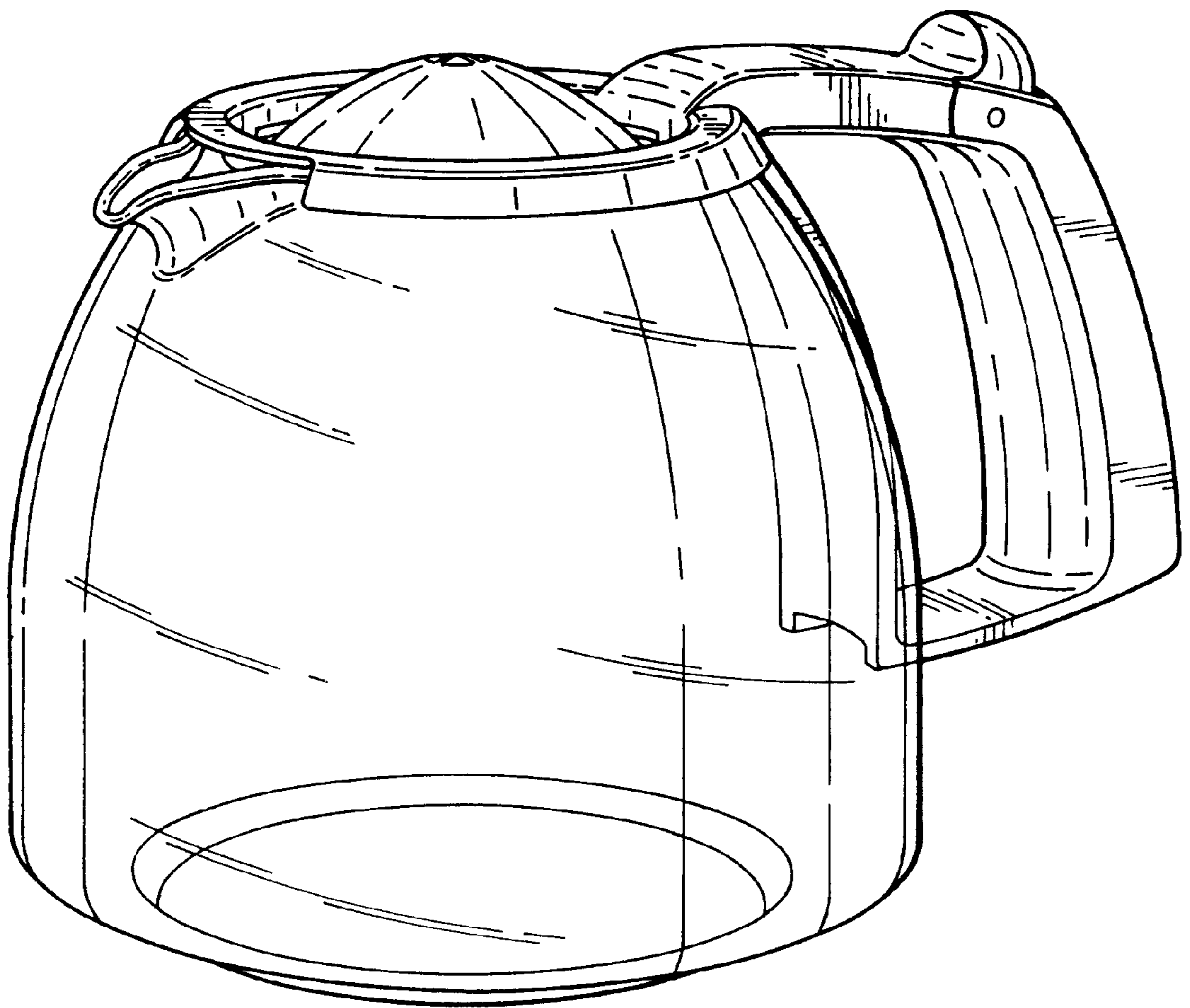


Fig. 2

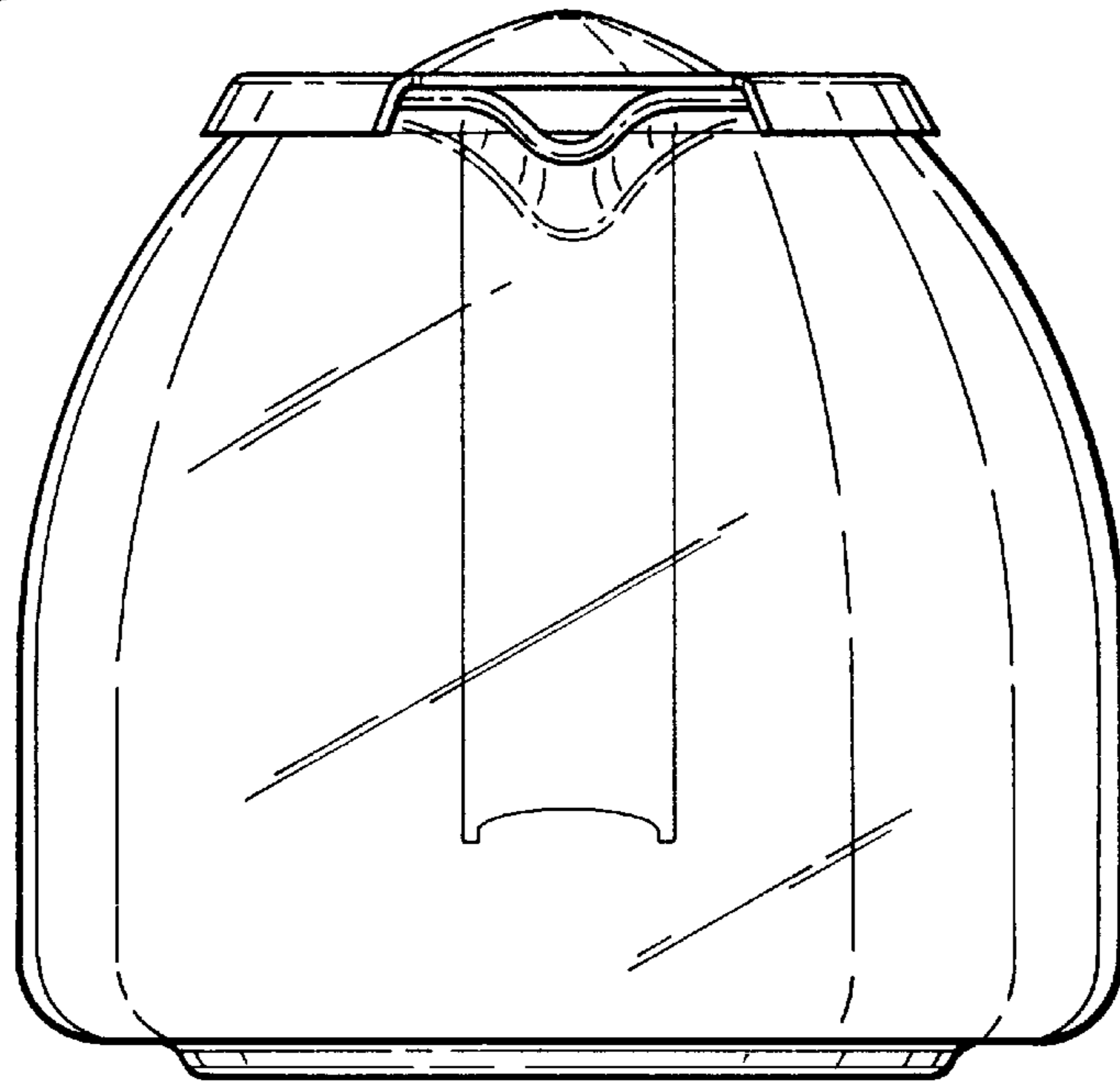


Fig. 5

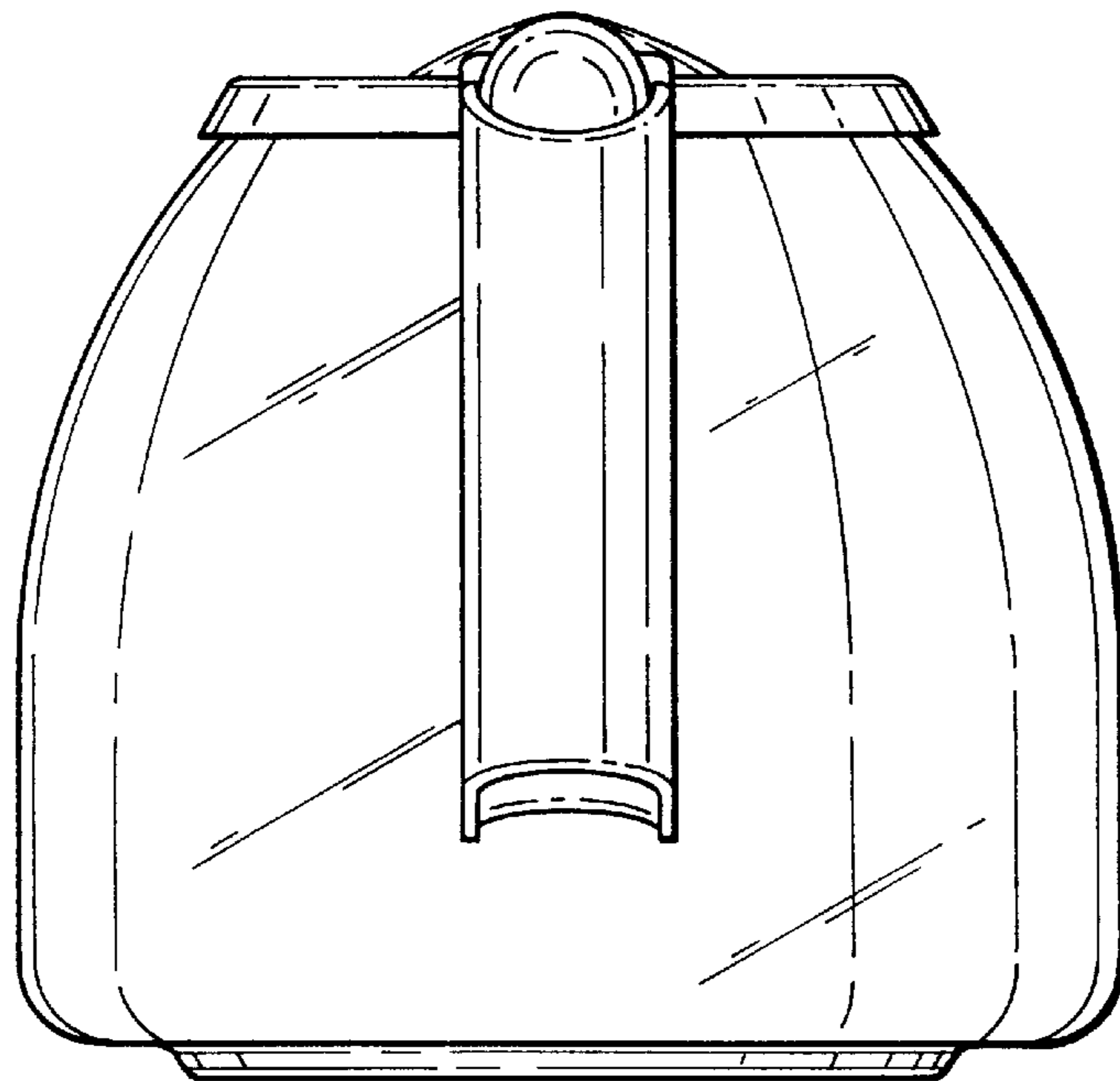


Fig. 6

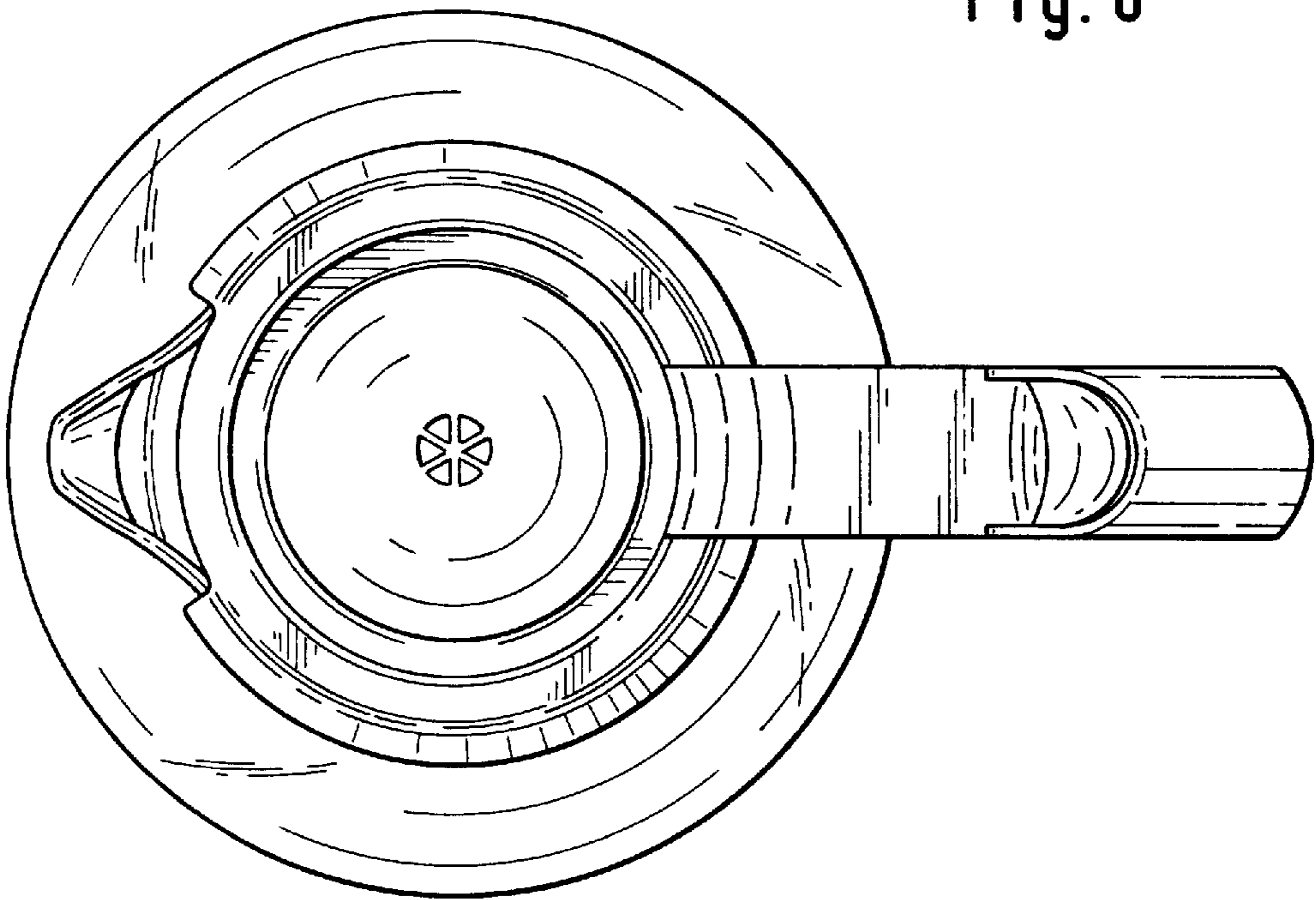
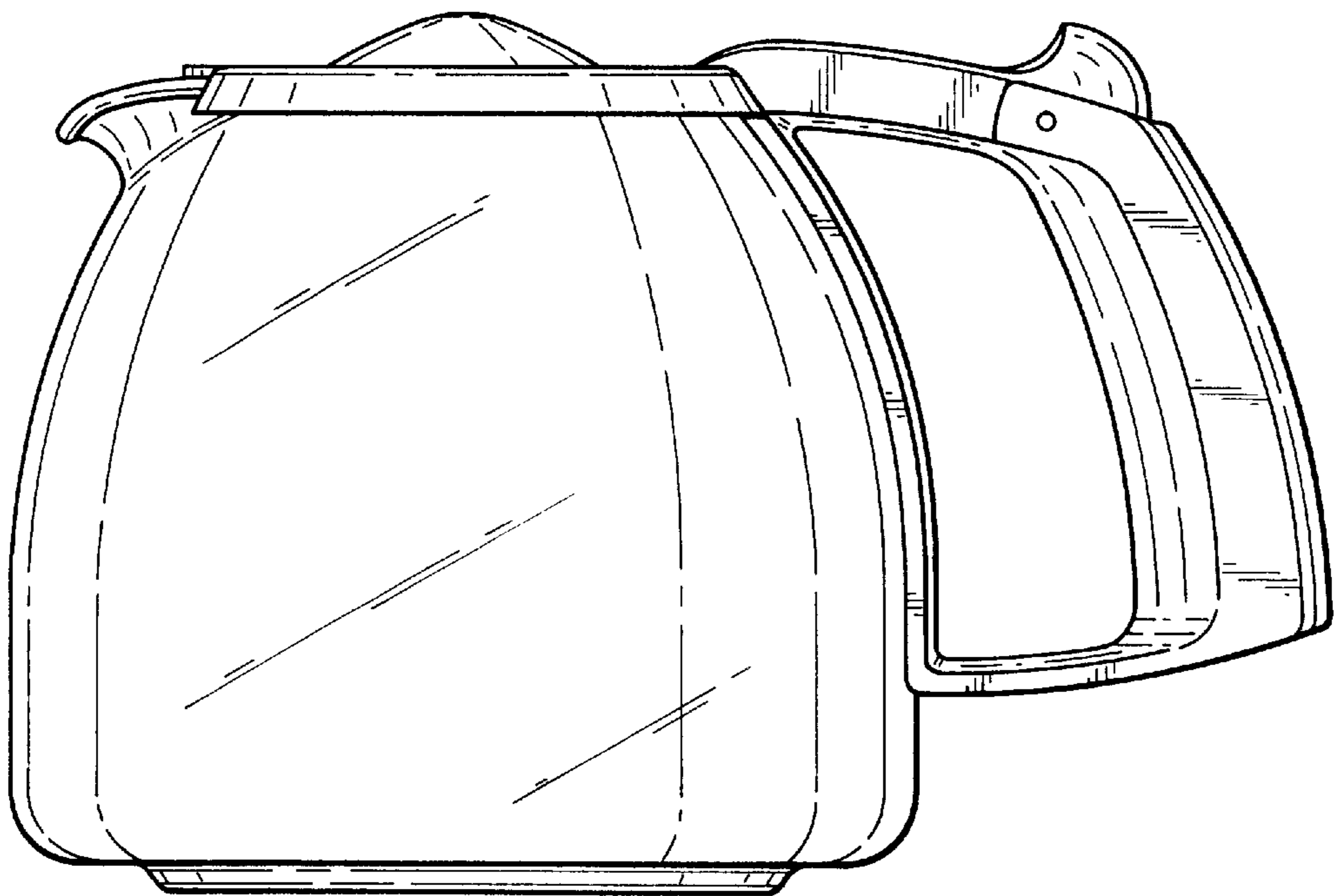


Fig. 3



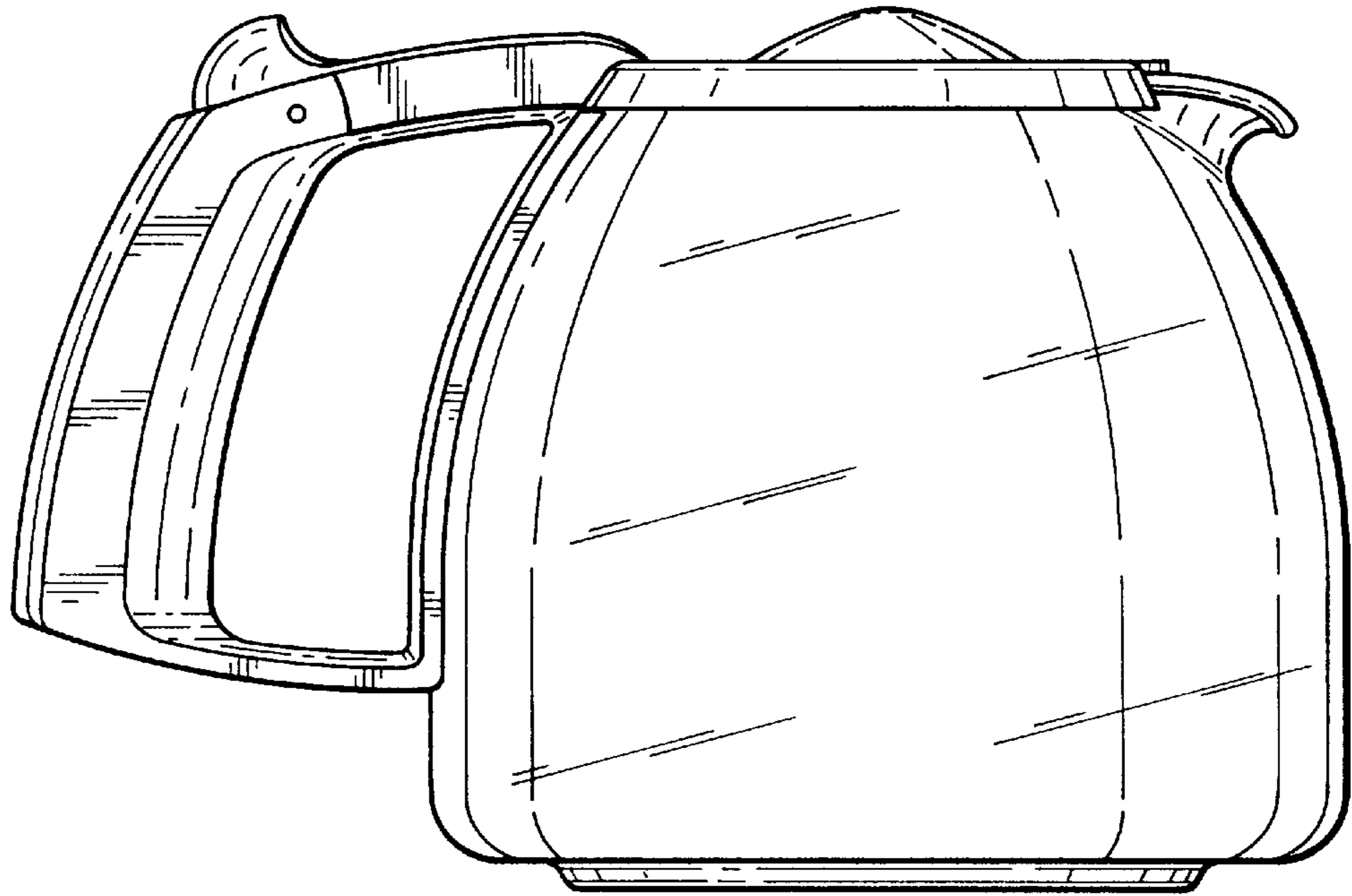


Fig. 4

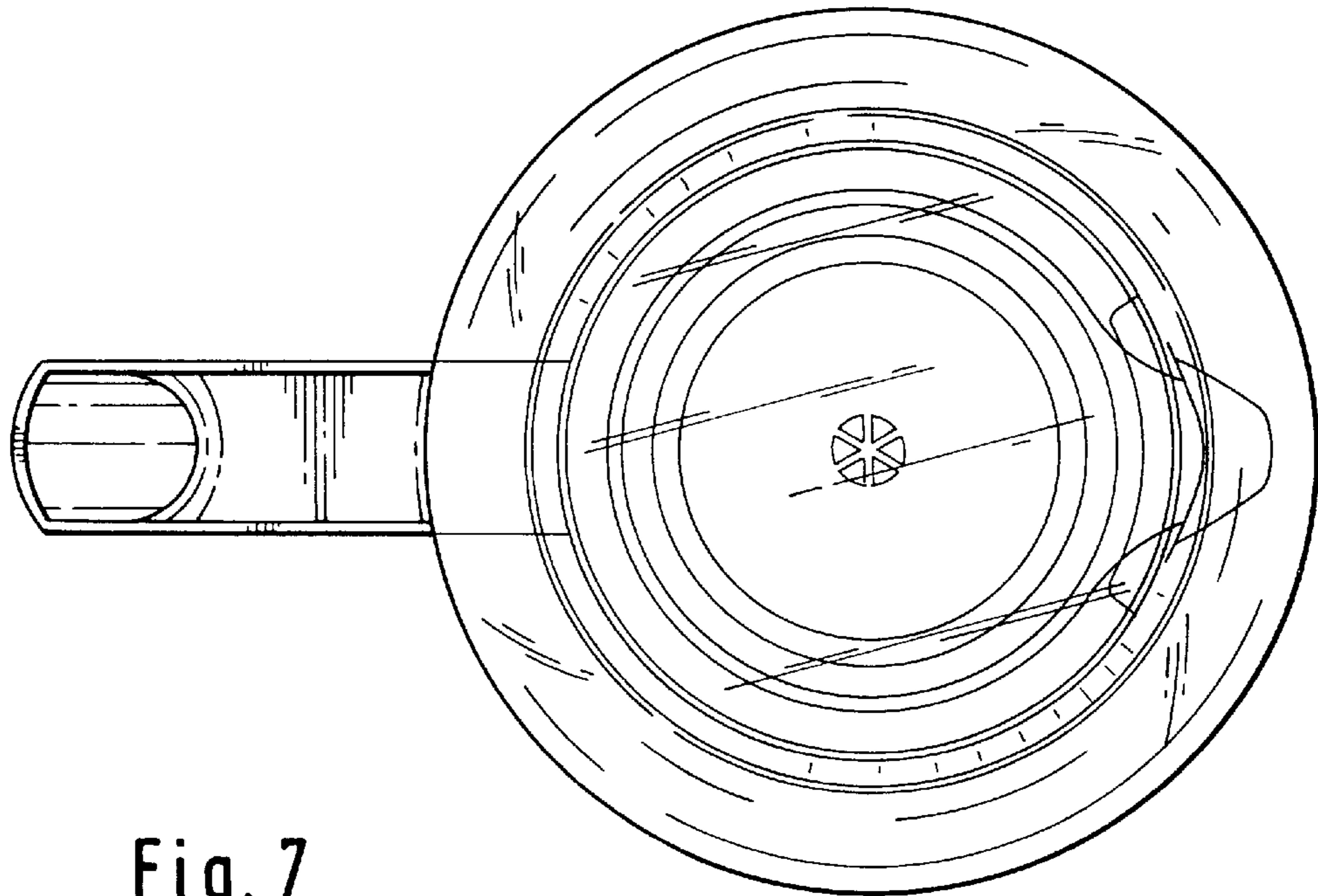


Fig. 7