



US00D411403S

# United States Patent [19] Gudefin

[11] Patent Number: **Des. 411,403**

[45] Date of Patent: **\*\* Jun. 22, 1999**

[54] **COFFEE MAKER**

[75] Inventor: **Jacques Gudefin**, Saint Priest, France

[73] Assignee: **Calor S.A.**, Lyons, France

[\*\*] Term: **14 Years**

[21] Appl. No.: **29/077,019**

[22] Filed: **Sep. 5, 1997**

[51] **LOC (6) Cl.** ..... **07-01**

[52] **U.S. Cl.** ..... **D7/309; D7/310; D7/311**

[58] **Field of Search** ..... **D3/300, 305, 309, D3/310, 311; 99/293, 295**

D. 364,306	11/1995	Storsberg	.....	D7/309
D. 366,180	1/1996	Littmann	.....	D7/309
D. 378,559	3/1997	Gudefin	.....	D7/309
D. 380,334	7/1997	Lin	.....	D7/309
D. 385,455	10/1997	Cortese	.....	D7/309
4,951,556	8/1990	Ng	.....	99/295

*Primary Examiner*—M. N. Pandozzi  
*Attorney, Agent, or Firm*—Greenblum & Bernstein, P.L.C.

### [57] CLAIM

I claim the ornamental design for a coffee maker, as shown and described.

### DESCRIPTION

FIG. 1 is a front elevational view of my new design; FIG. 2 is rear elevation view thereof; FIG. 3 is a left side elevation view thereof; FIG. 4 is a right side elevation view thereof; FIG. 5 is a top view thereof; FIG. 6 is a bottom view thereof; and, FIG. 7 is a three-fourths perspective view thereof, from the front and left.

**1 Claim, 7 Drawing Sheets**

### [56] References Cited

#### U.S. PATENT DOCUMENTS

D. 292,258	10/1987	Diefenbach	.....	D7/309
D. 298,402	11/1988	Seiffert	.....	D7/309
D. 323,949	2/1992	Kahlcke	.....	D7/309
D. 339,711	9/1993	Precht et al.	.....	D7/309 X
D. 342,860	1/1994	Azpiri	.....	D7/309
D. 344,206	2/1994	Azpiri	.....	D7/309

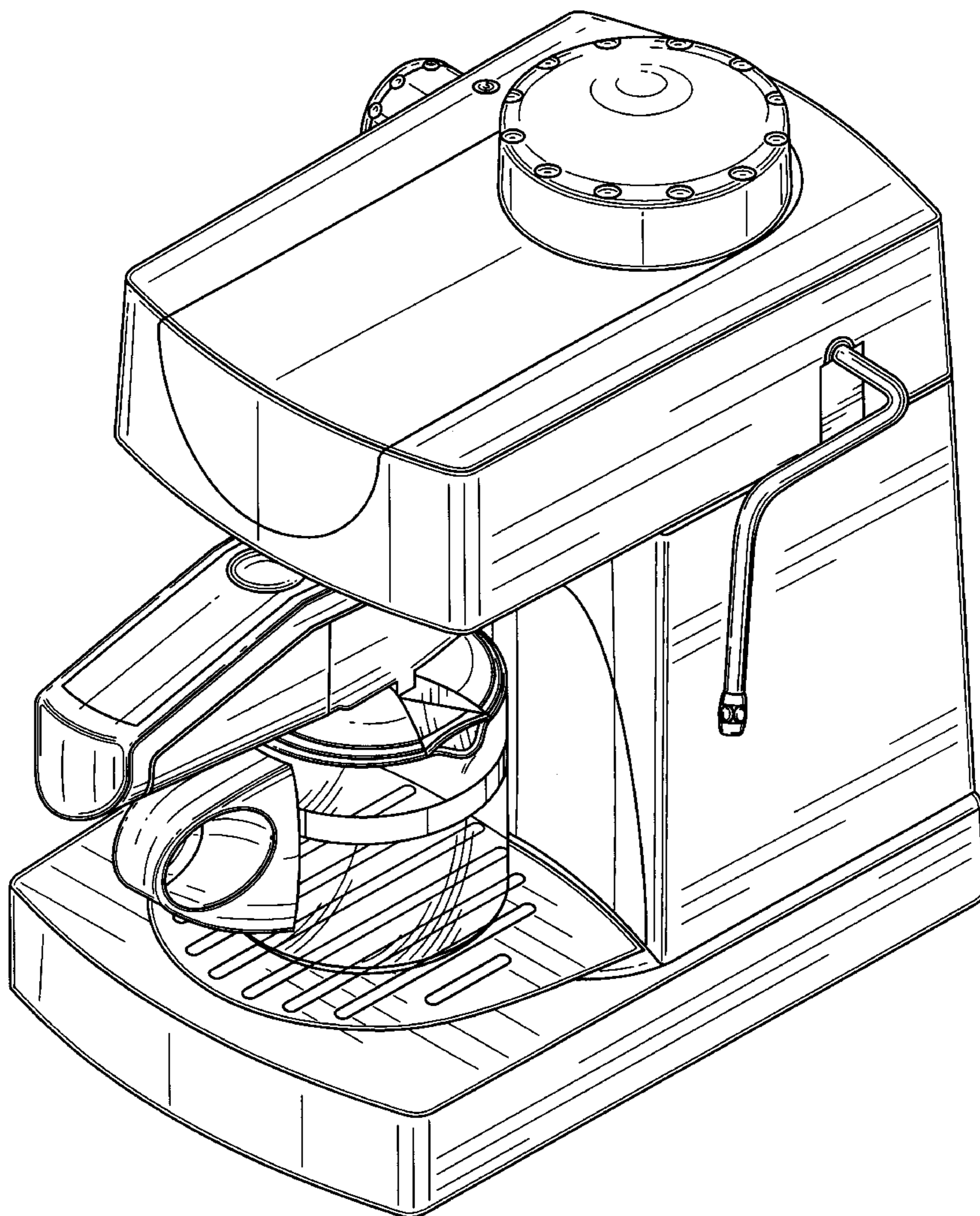


FIG. 1

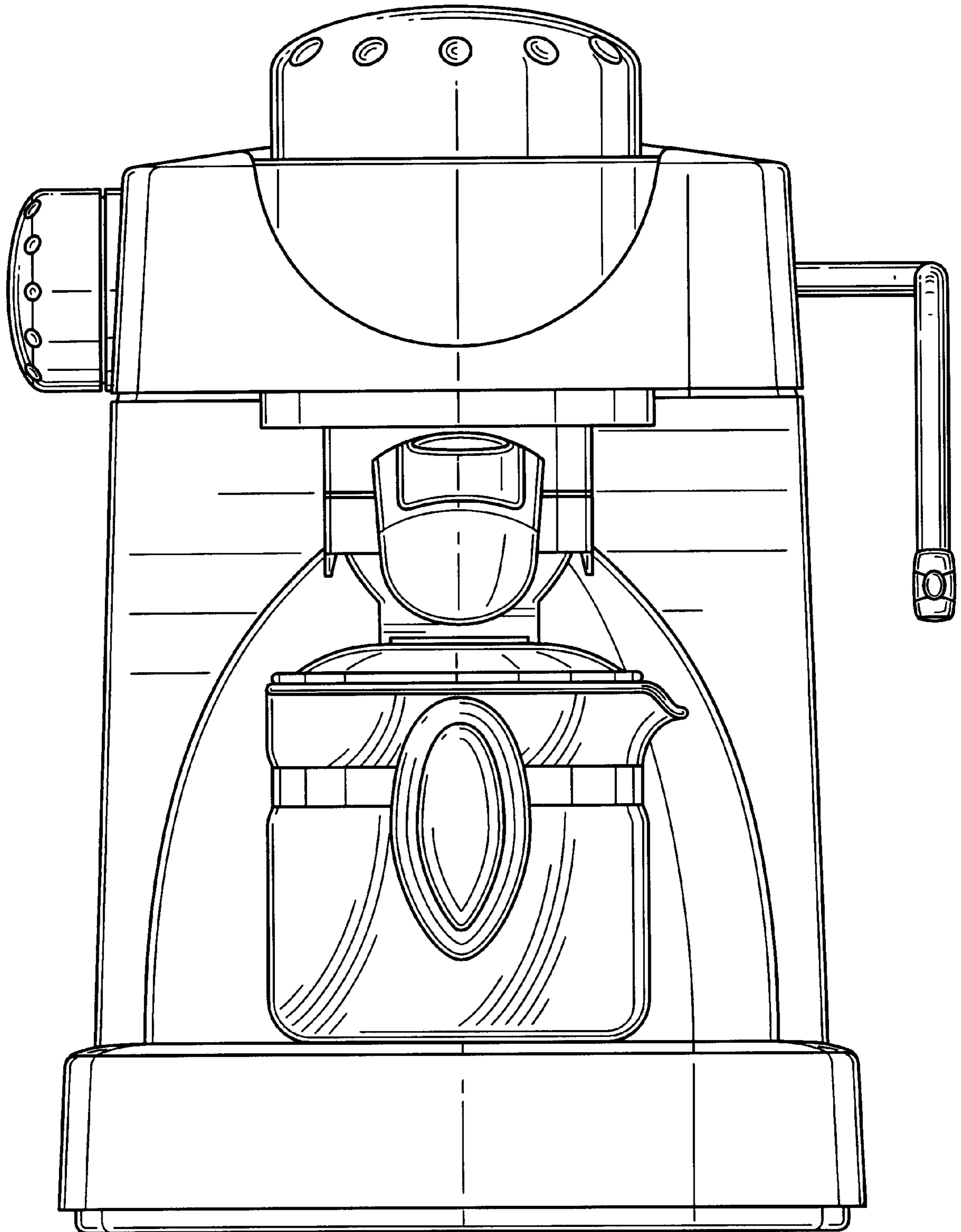


FIG. 2

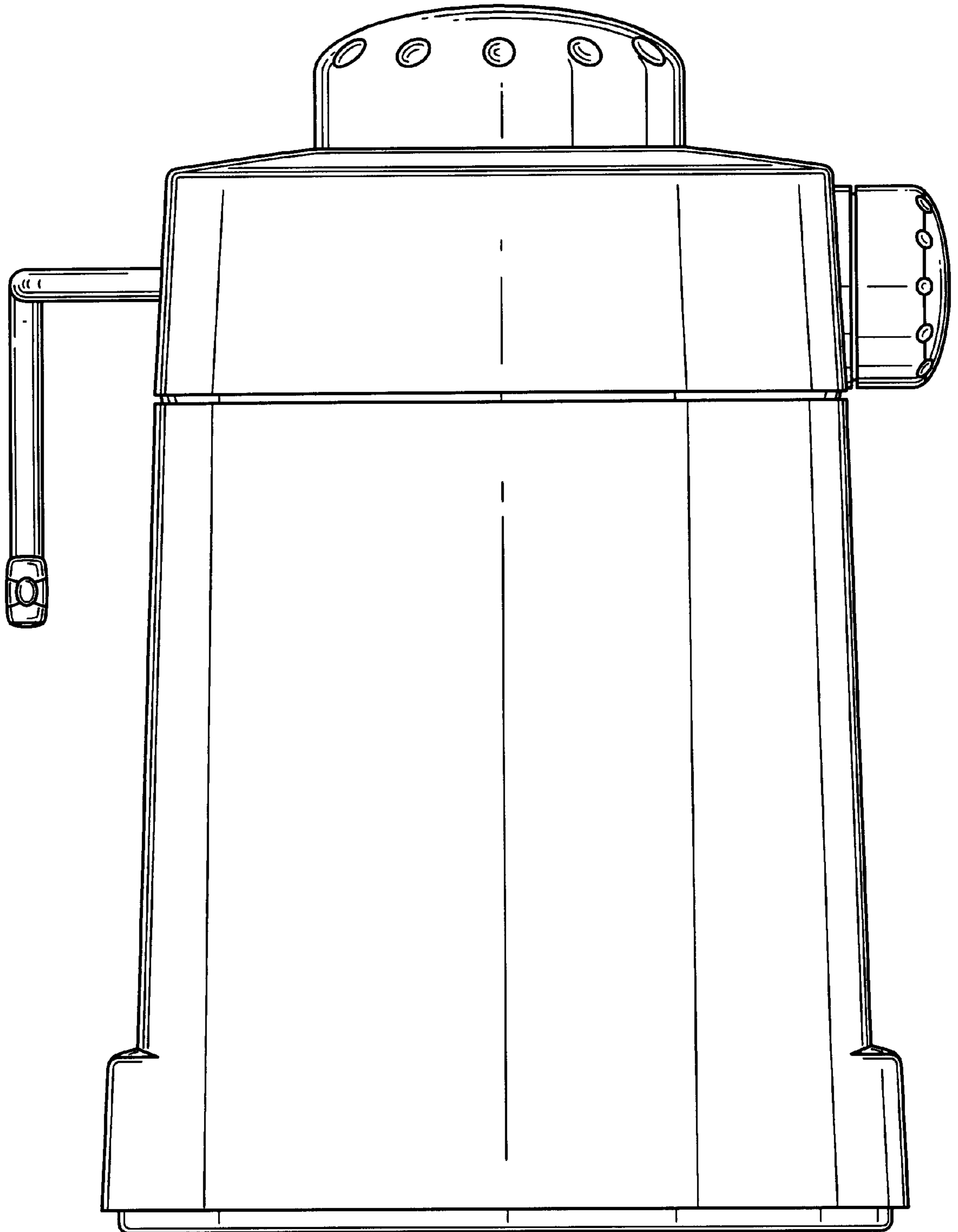


FIG. 3

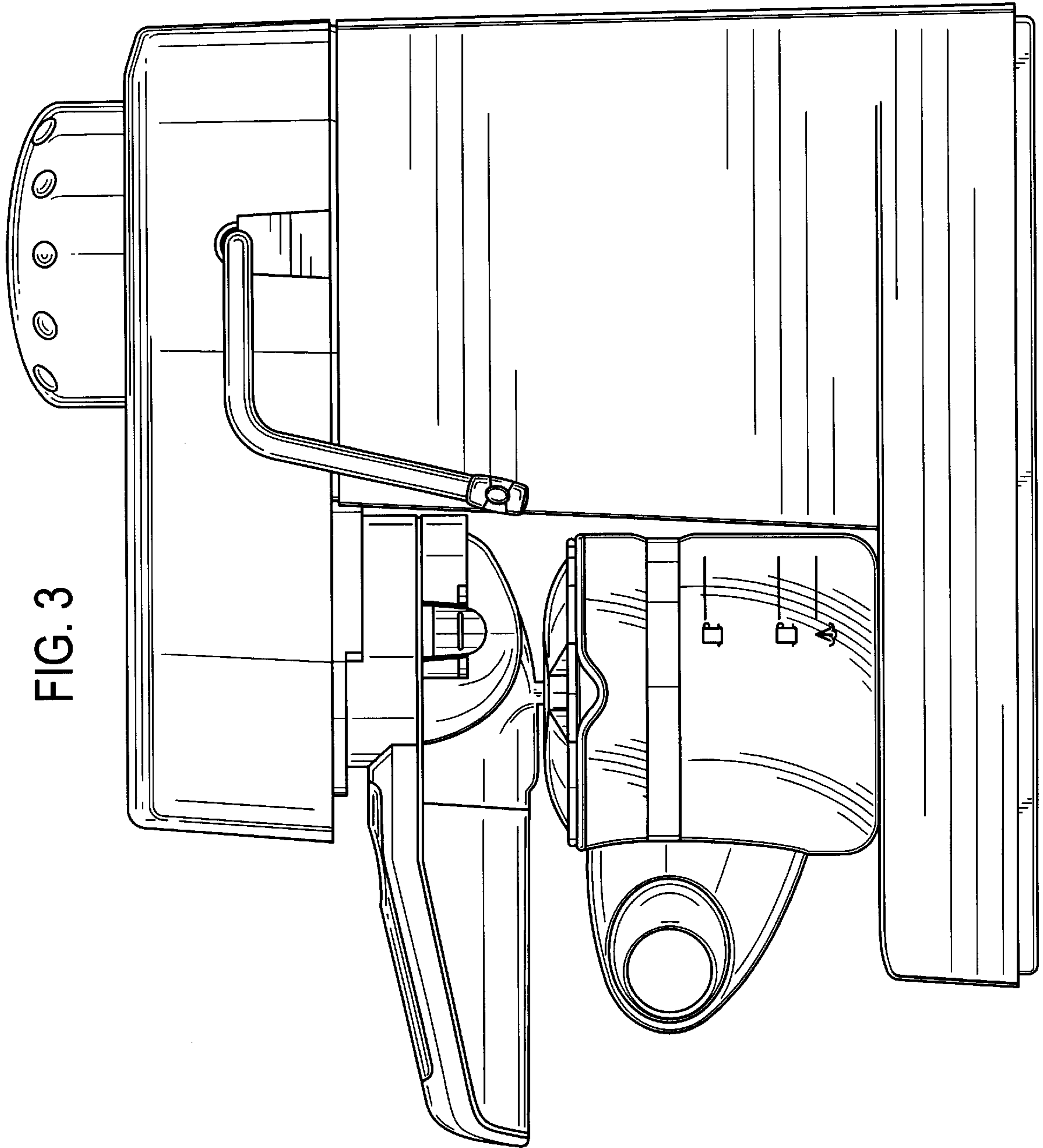




FIG. 4

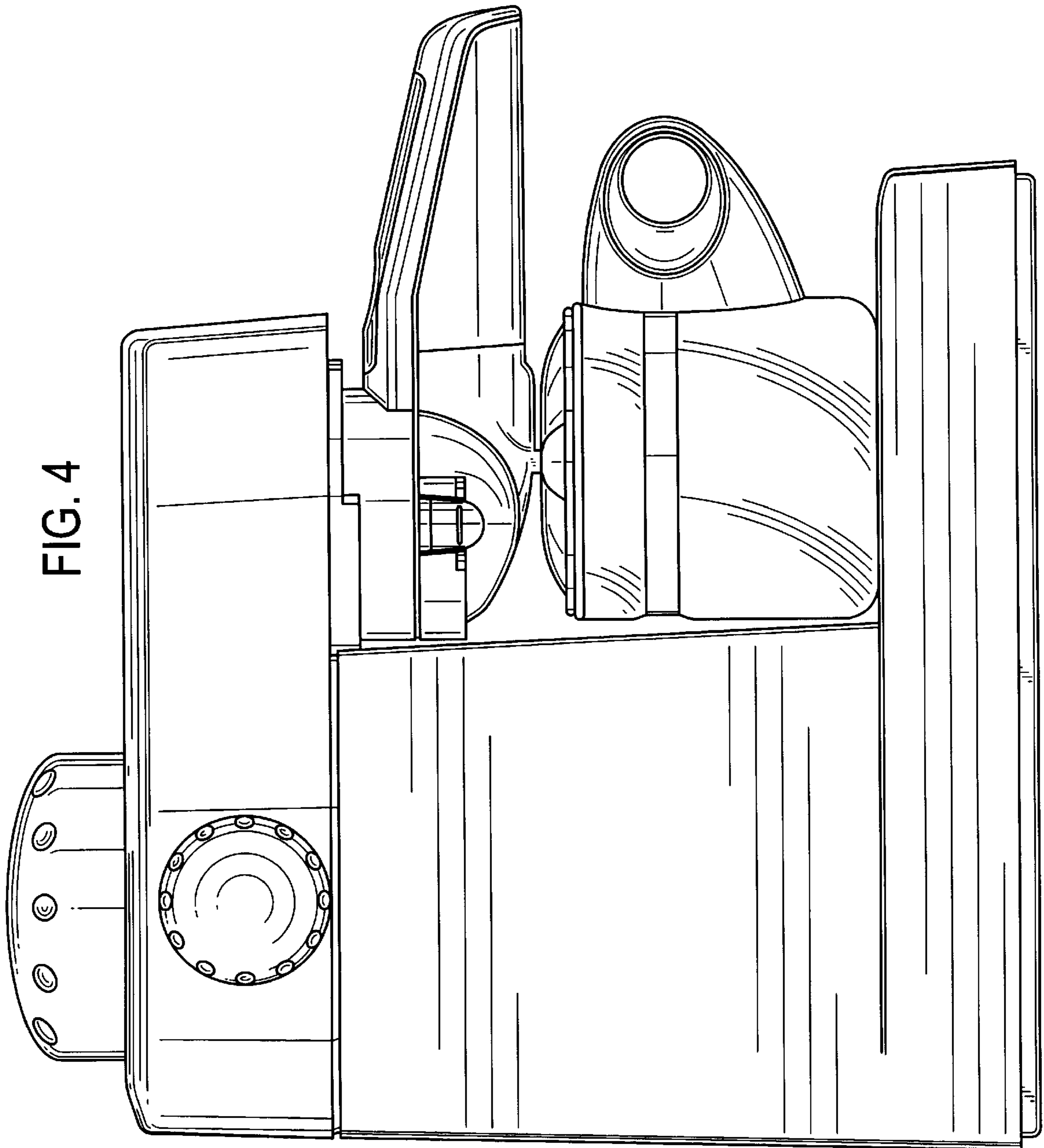


FIG. 5

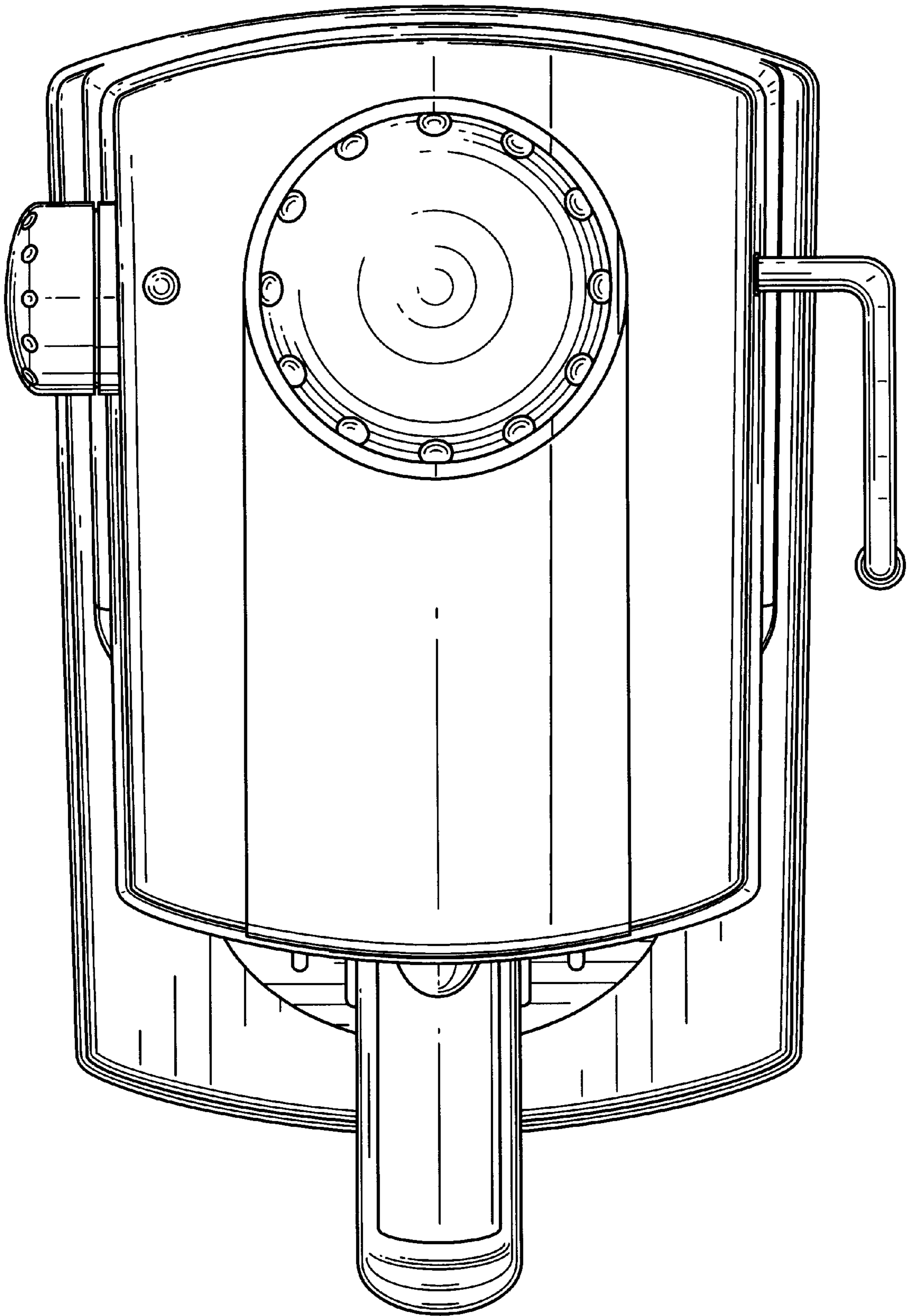
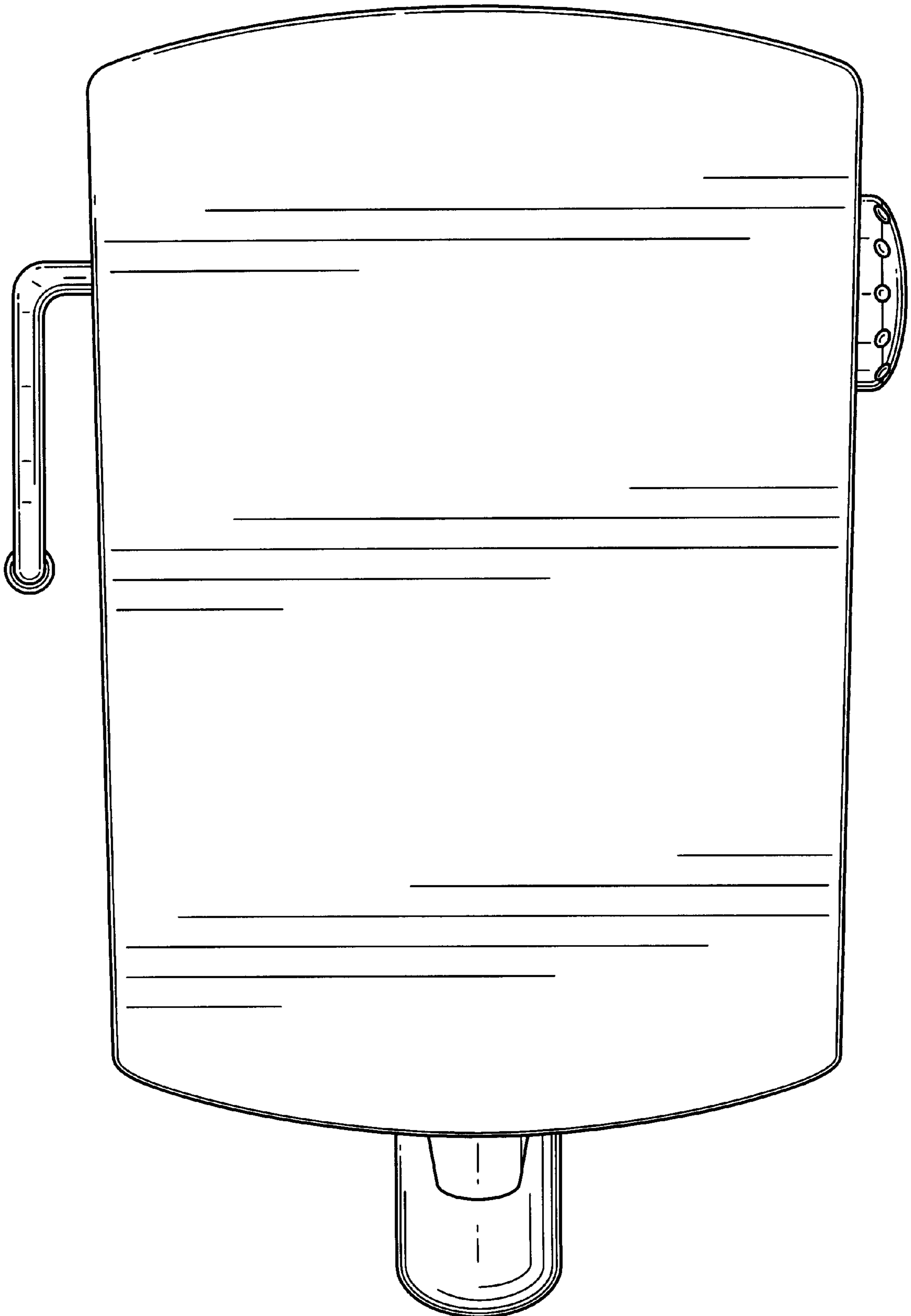


FIG. 6



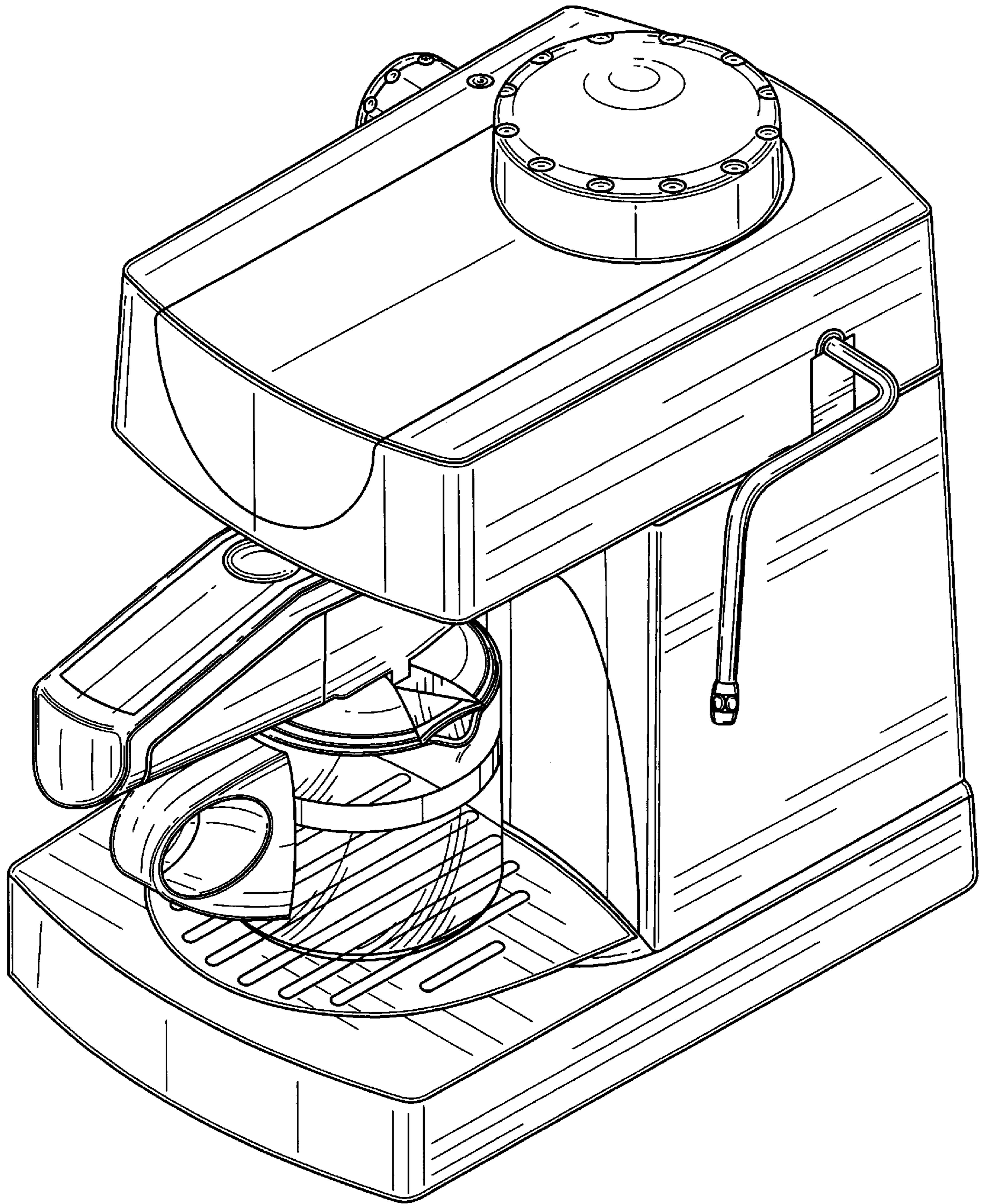


FIG. 7