



US00D411402S

United States Patent [19]

[11] Patent Number: Des. 411,402

Udwin et al.

[45] Date of Patent: ** Jun. 22, 1999

[54] COMPACT DISC STORAGE PAGE

[75] Inventors: Steven C Udwin, Tenafly; Marshall L. Weingarden, Haworth, both of N.J.

[73] Assignee: ENOR Corporation, Northvale, N.J.

[**] Term: 14 Years

[21] Appl. No.: 29/092,658

[22] Filed: Aug. 25, 1998

[51] LOC (6) Cl. 06-04

[52] U.S. Cl. D6/626

[58] Field of Search D6/626, 407, 632; 206/308.1, 308.3, 309, 311, 312, 313; 281/38, 40; D19/33; 428/76; 402/79; 352/99; 40/124.2, 776, 777, 405

- 4,197,949 4/1980 Carlsson .
- 4,244,762 1/1981 Holson .
- 4,263,357 4/1981 Holson .
- 4,327,831 5/1982 Inaba et al. .
- 4,339,034 7/1982 Panveno .
- 4,413,298 11/1983 Pecsok et al. .
- 4,447,973 5/1984 Wihlke .
- 4,473,153 9/1984 Colangelo .
- 4,508,366 4/1985 Brindle .
- 4,549,658 10/1985 Sfikas .
- 4,610,352 9/1986 Howey et al. .
- 4,620,630 11/1986 Moss .
- 4,623,062 11/1986 Chase et al. .
- 4,699,268 10/1987 Oishi .
- 4,709,812 12/1987 Kosterka .
- 4,762,225 8/1988 Henkel .
- 4,850,731 7/1989 Youngs .
- 4,871,046 10/1989 Turner .
- 4,958,855 9/1990 Shipp .
- 4,978,055 12/1990 Miller .
- 5,266,150 11/1993 Miller .
- 5,312,507 5/1994 Miller .
- 5,360,234 11/1994 Miller et al. .
- 5,396,987 3/1995 Temple et al. .

[56] References Cited

U.S. PATENT DOCUMENTS

- D. 260,122 8/1981 Turner .
- D. 304,781 11/1989 Hanson .
- D. 312,835 12/1990 Holm D19/33
- D. 317,675 6/1991 Shipp et al. .
- D. 353,837 12/1994 Miller .
- D. 360,800 8/1995 Temple et al. .
- D. 362,366 9/1995 Temple et al. .
- D. 367,796 3/1996 Ozeki .
- D. 378,685 4/1997 French et al. D19/33
- D. 379,896 6/1997 Friedman .
- D. 380,775 7/1997 Lee D19/33
- D. 381,703 7/1997 Wiles et al. .
- 3,004,659 10/1961 Usher et al. .
- 3,422,952 1/1969 George .
- 3,446,260 5/1969 Osher .
- 3,459,361 8/1969 Matton .
- 3,473,653 10/1969 Nunes .
- 3,500,995 3/1970 Forman .
- 3,555,713 1/1971 Leinbach .
- 3,688,898 9/1972 Stanton .
- 3,722,564 3/1973 Croon .
- 3,759,305 9/1973 McIntyre .
- 3,864,755 2/1975 Hargis .
- 3,942,639 3/1976 Cournoyer et al. .
- 4,076,874 2/1978 Giovanelli et al. .
- 4,119,268 10/1978 Segura .

(List continued on next page.)

Primary Examiner—Doris V. Coles
Assistant Examiner—Linda Brooks
Attorney, Agent, or Firm—Weingram & Associates, P.C.

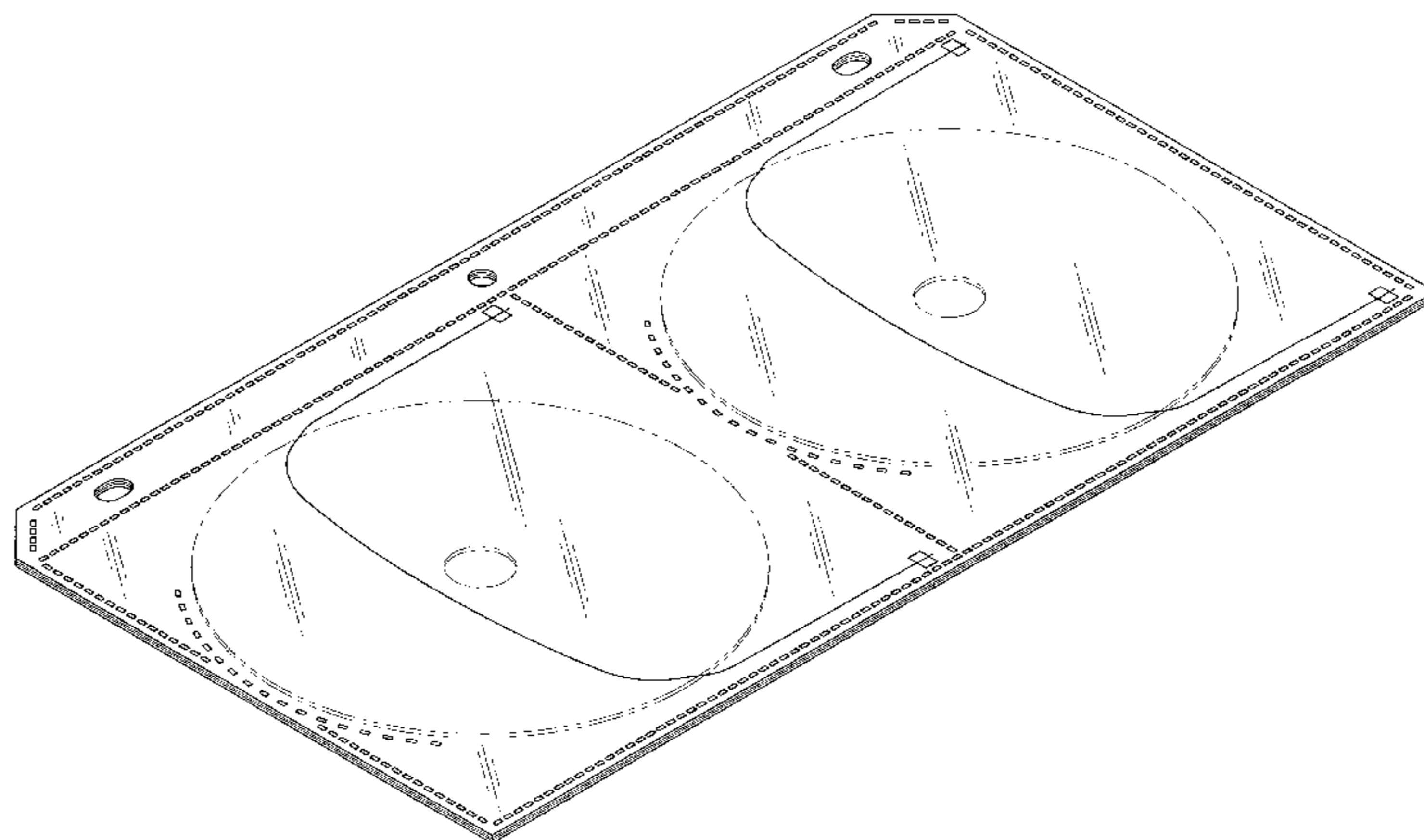
[57] CLAIM

The ornamental design for a compact disc storage page, as shown and described.

DESCRIPTION

FIG. 1 is a perspective view of a compact disc storage page showing my new design, with two compact disks shown in broken lines for purposes of illustration only and forming no part of the claimed design.
FIG. 2 is a front elevation view of the design shown in FIG. 1, the opposite side being a mirror image thereof;
FIG. 3 is a right side elevational view thereof;
FIG. 4 is a left side elevational view thereof; and,
FIG. 5 is a top plan view thereof, the bottom plan view being a mirror image thereof.

1 Claim, 3 Drawing Sheets



Des. 411,402

Page 2

U.S. PATENT DOCUMENTS

5,411,134	5/1995	Boulder et al. .	5,595,293	1/1997	Miller .
5,462,160	10/1995	Youngs .	5,595,797	1/1997	Miller .
5,501,326	3/1996	Shuhsiang .	5,595,798	1/1997	Miller .
5,513,749	5/1996	Simmons .	5,620,271	4/1997	Bergh et al. .
5,555,977	9/1996	Oshry et al. .	5,657,867	8/1997	Fu et al. .
5,556,683	9/1996	Ranalli 428/76	5,669,491	9/1997	Pettey .
5,588,527	12/1996	Youngs .	5,692,607	12/1997	Brosmith et al. .
			5,713,683	2/1998	Bergh et al. .
			5,715,937	2/1998	Oshry et al. .

FIG. 1

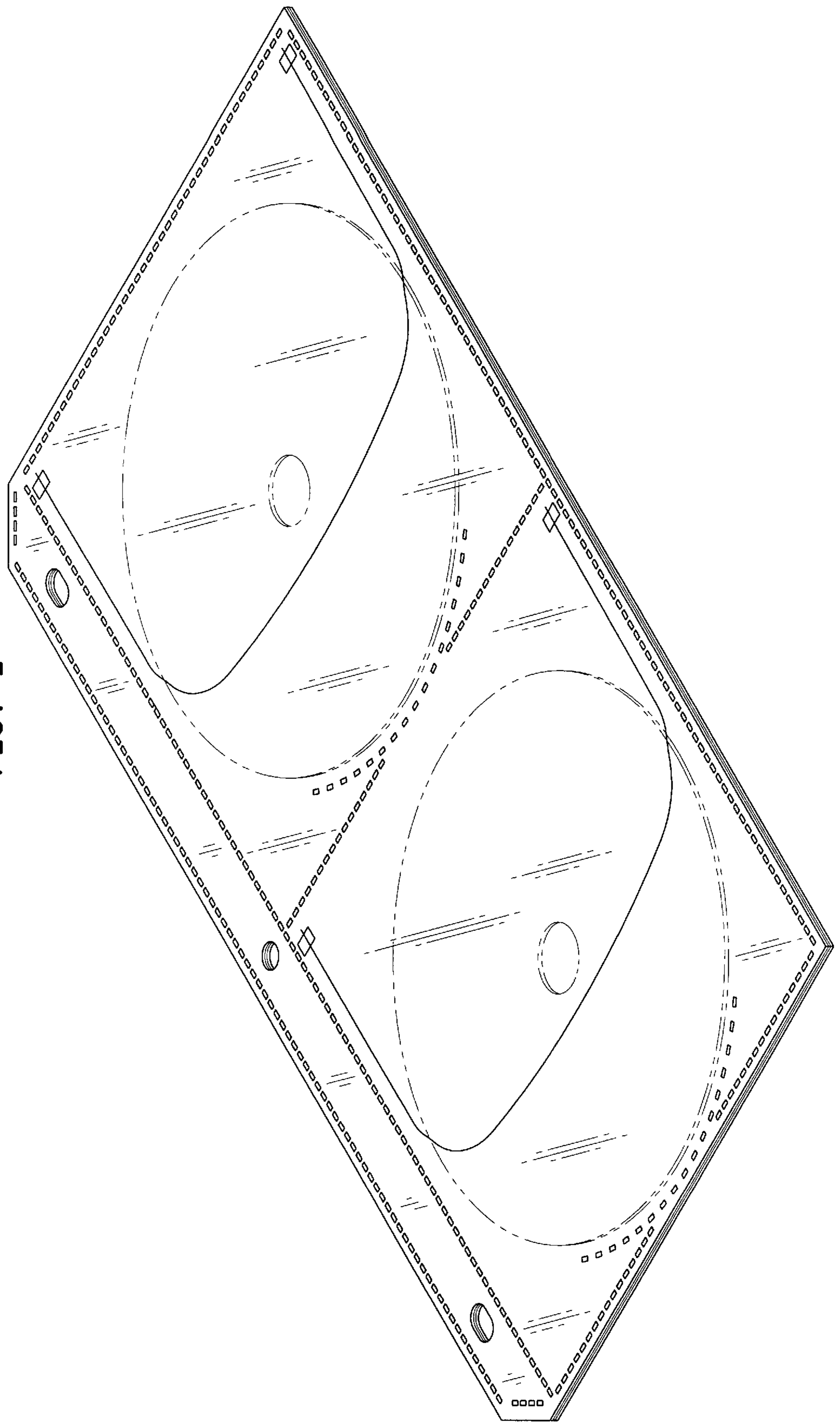


FIG. 2

FIG. 3

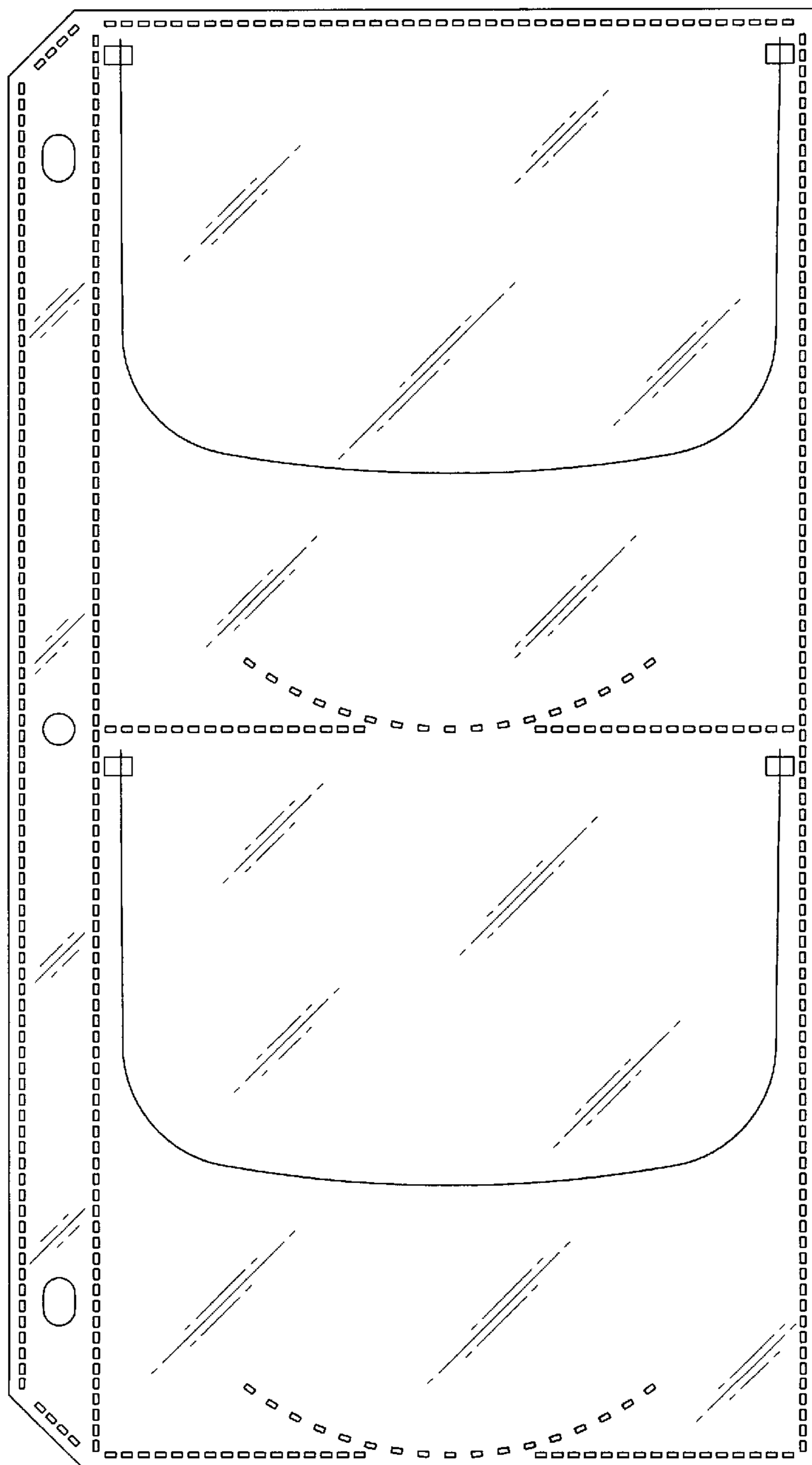


FIG. 4



FIG. 5

