



US00D411400S

United States Patent [19]
Yancey, Jr.

[11] **Patent Number: Des. 411,400**
[45] **Date of Patent: ** Jun. 22, 1999**

[54] **RUG**

[75] **Inventor: Arthur M. Yancey, Jr., Dalton, Ga.**

[73] **Assignee: Dartgolf, Inc., Chattanooga, Tenn.**

[**] **Term: 14 Years**

[21] **Appl. No.: 29/080,602**

[22] **Filed: Dec. 11, 1997**

[51] **LOC (6) Cl. 06-11**

[52] **U.S. Cl. D6/588; D6/582; D21/307**

[58] **Field of Search D6/582, 588; D12/203;
4/581, 582, 583; 5/417, 418, 419, 420;
15/215, 216, 217; D21/307, 358**

[56] **References Cited**

U.S. PATENT DOCUMENTS

- D. 172,987 9/1954 Quigley D6/588
- D. 215,739 10/1969 Travis D21/358 X
- D. 267,459 1/1983 Burt D6/583
- D. 313,142 12/1990 Truell 5/419
- D. 339,826 9/1993 Alling et al. D21/307
- D. 341,383 11/1993 London et al. D21/358

Primary Examiner—Louis S. Zarfaz
Assistant Examiner—Monica A. Weingart
Attorney, Agent, or Firm—Chambliss, Bahner & Stophel,
P.C.

[57] **CLAIM**

The ornamental design for a rug, as described and shown.

DESCRIPTION

FIG. 1 is a perspective view of the first embodiment of the rug of my new design.

FIG. 2 is a front view of the first embodiment of the rug of my new design.

FIG. 3 is a top view of the first embodiment of the rug of my new design.

FIG. 4 is a bottom view of the first embodiment of the rug of my new design.

FIG. 5 is a right side view of the first embodiment of the rug of my new design, as viewed from the right side of FIG. 2. The left side is a mirror image of FIG. 5.

FIG. 6 is a perspective view of the second embodiment of the rug of my new design.

FIG. 7 is a front view of the second embodiment of the rug of my new design.

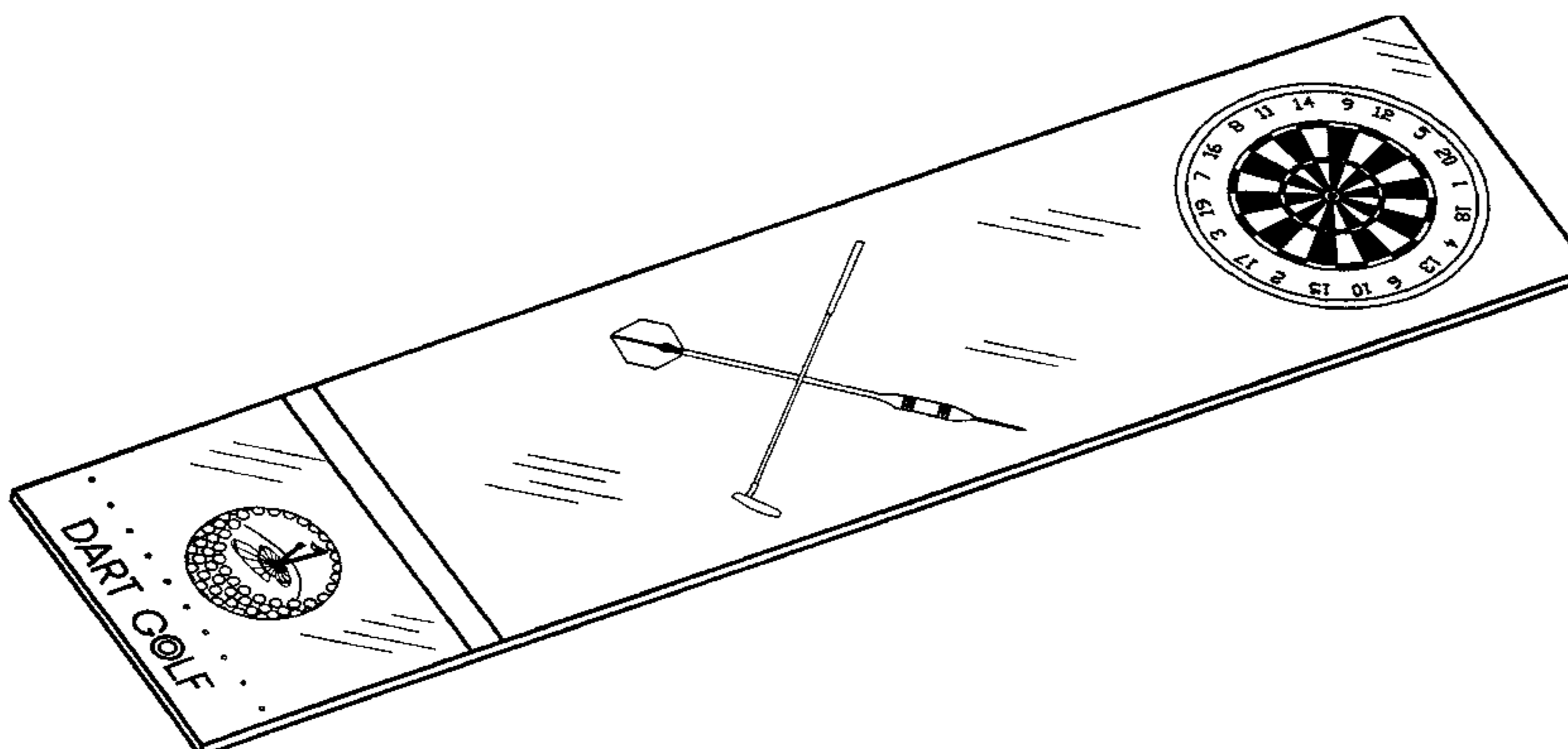
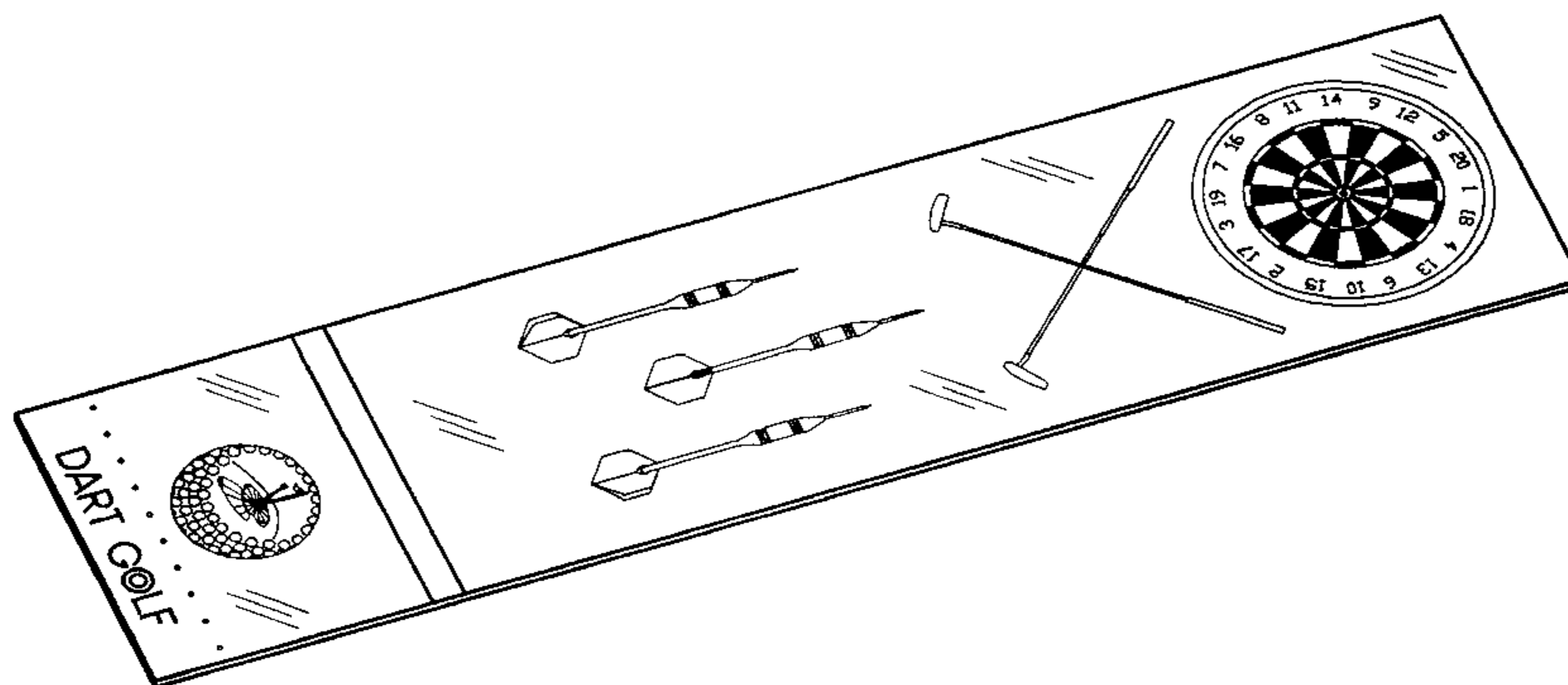
FIG. 8 is a top view of the second embodiment of the rug of my new design.

FIG. 9 is a bottom view of the second embodiment of the rug of my new design; and,

FIG. 10 is a right side view of the second embodiment of the rug of my new design, as viewed from the right side of FIG. 7. The left side is a mirror image of FIG. 10.

The rear of the rug is plain and unadorned.

1 Claim, 6 Drawing Sheets



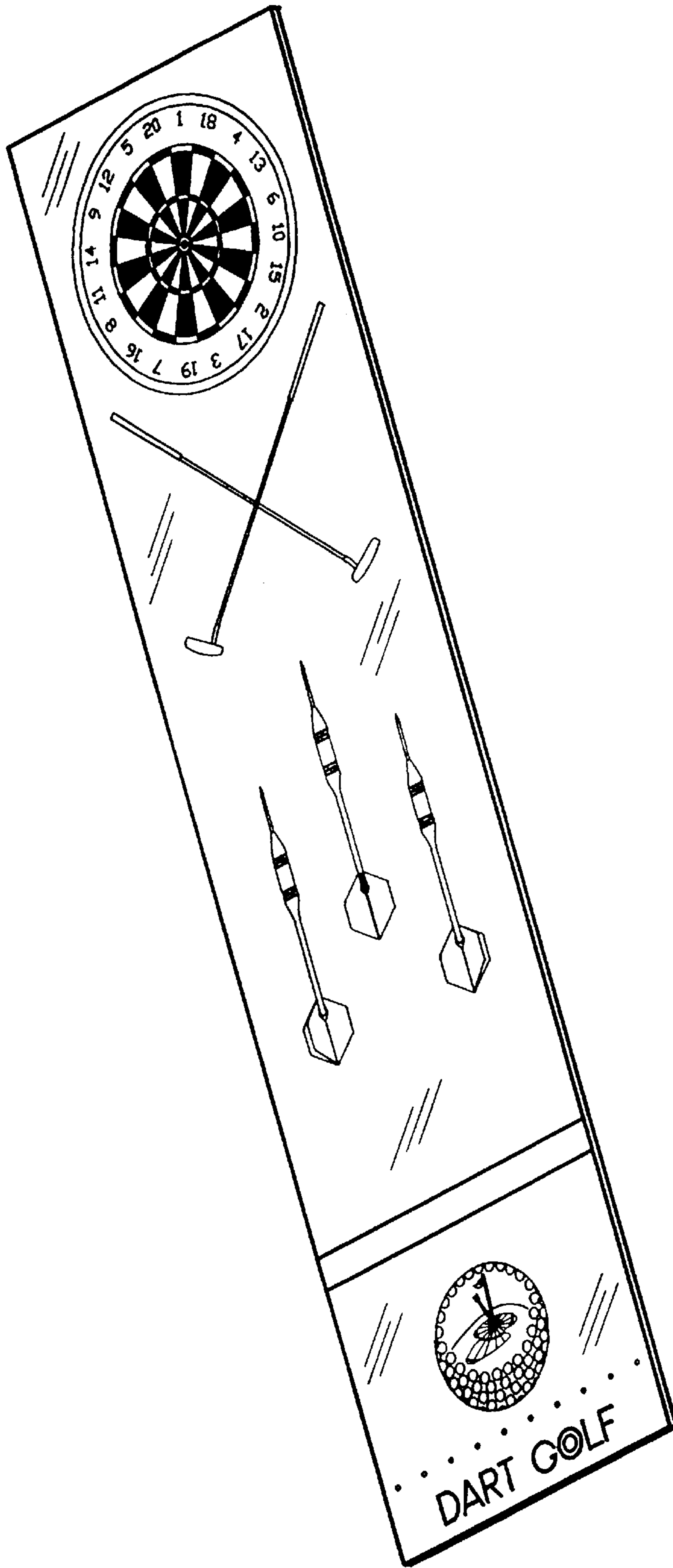


FIGURE 1

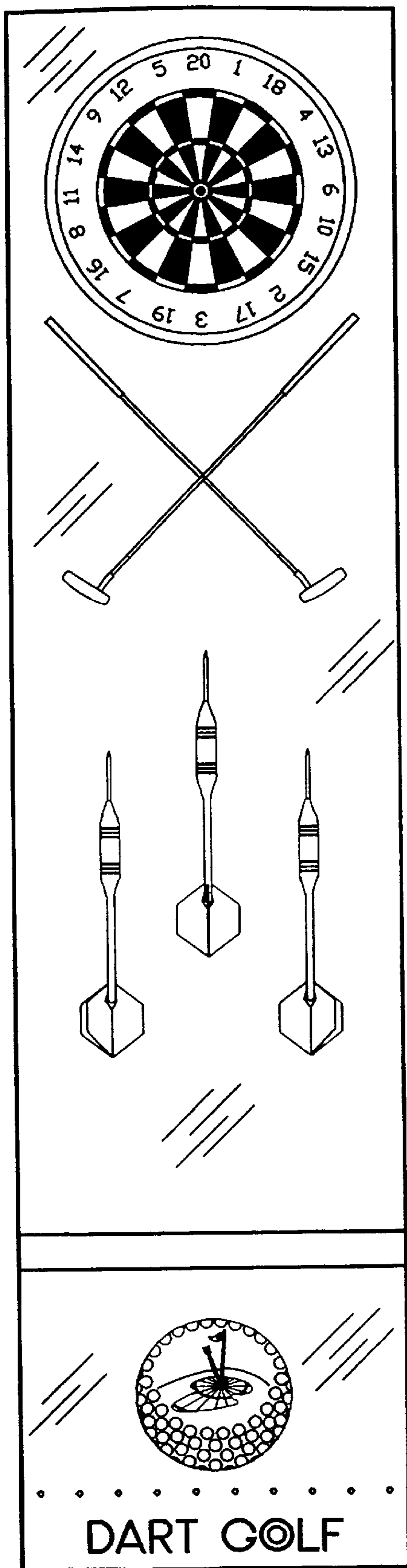


FIGURE 2

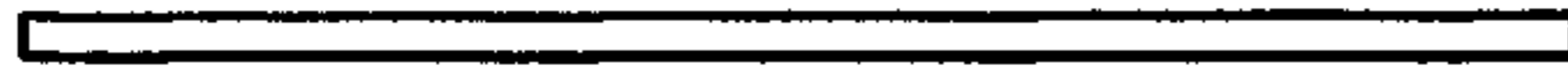


FIGURE 3

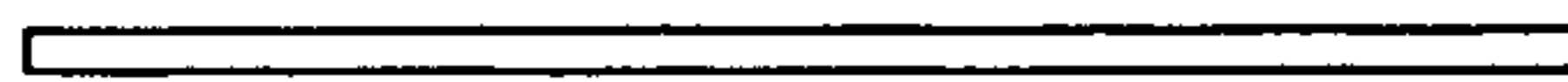


FIGURE 4

FIGURE 5



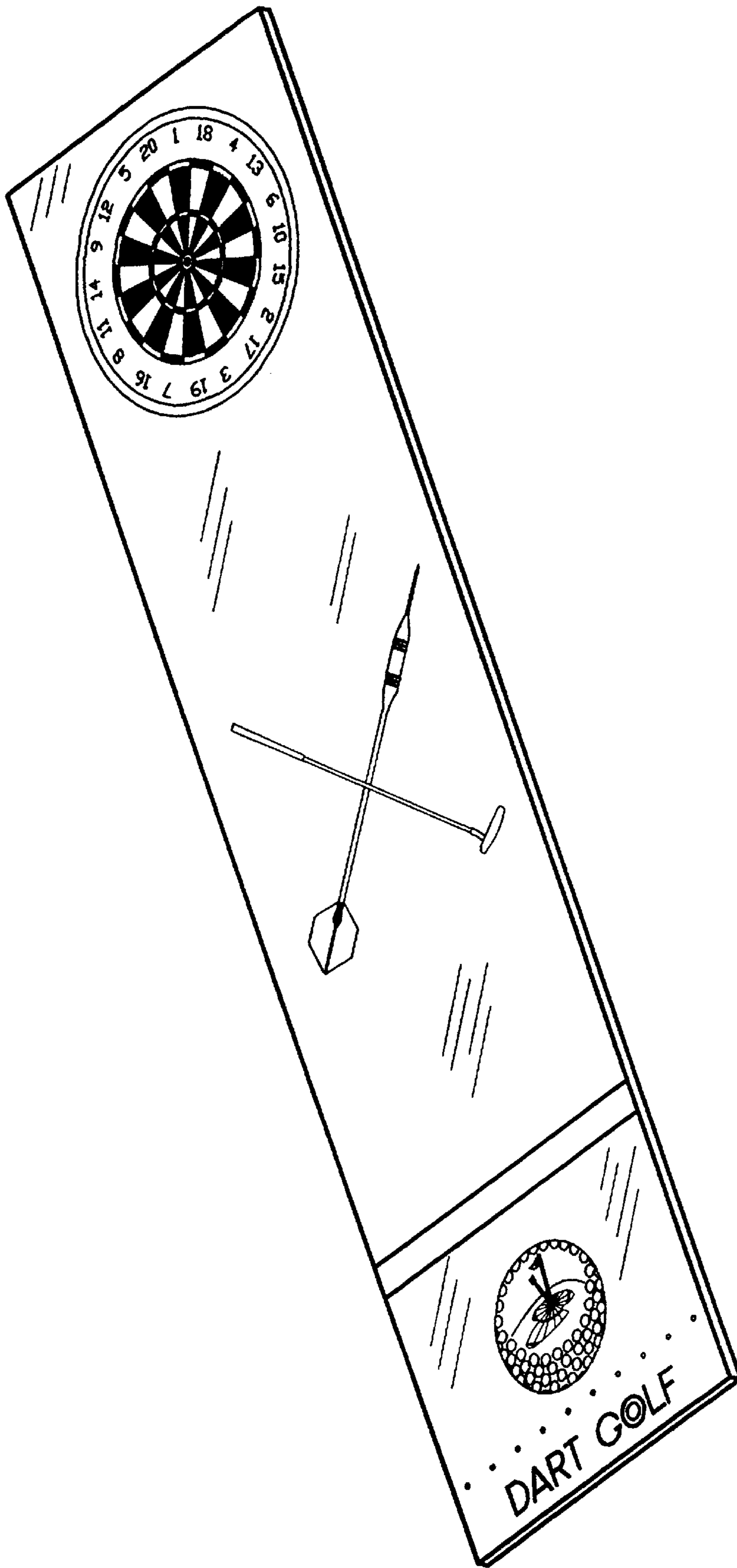


FIGURE 6

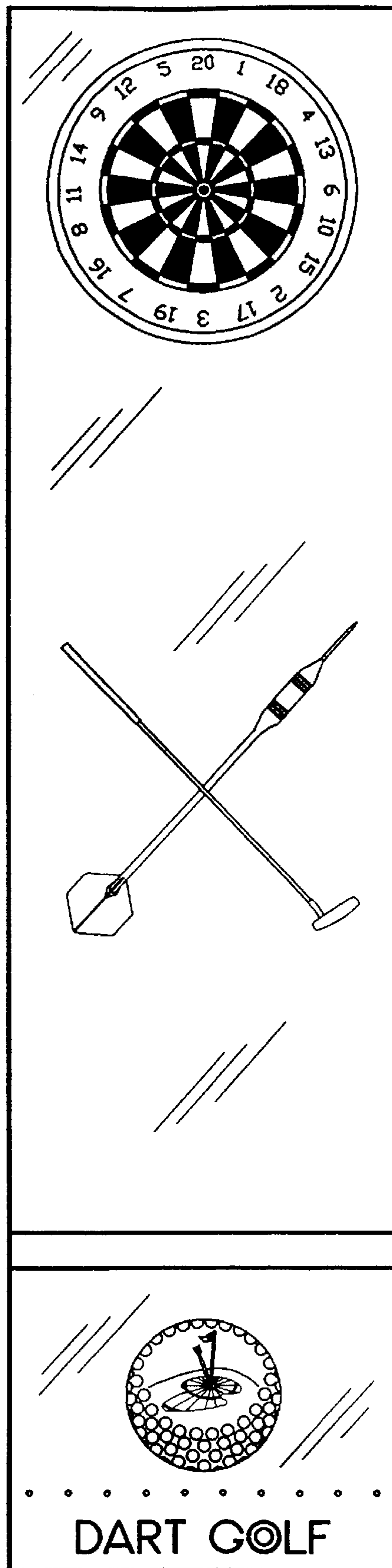


FIGURE 7

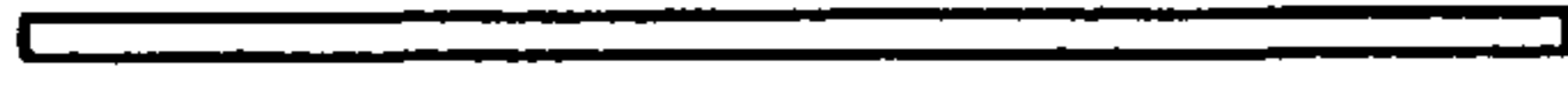


FIGURE 8

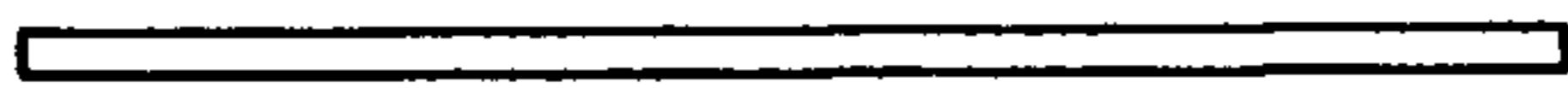


FIGURE 9

FIGURE 10

