



US00D411399S

United States Patent [19] Stravitz

[11] Patent Number: **Des. 411,399**

[45] Date of Patent: **** Jun. 22, 1999**

[54] STORAGE RACK

[76] Inventor: **David M. Stravitz**, 16 Park Ave., Suite 14A, New York, N.Y. 10016

[**] Term: **14 Years**

[21] Appl. No.: **29/082,153**

[22] Filed: **Jan. 15, 1998**

[51] LOC (6) Cl. **08-08**

[52] U.S. Cl. **D6/567**

[58] Field of Search D6/553, 552, 567,
D6/556, 569-571; 211/10, 13.1, 41.1, 41.12,
44, 45, 49.1, 86-88, 134

[56] References Cited

U.S. PATENT DOCUMENTS

D. 334,676	4/1993	Liptak	D6/553	X
D. 345,071	3/1994	Gould	D6/571	
D. 363,950	11/1995	Brussing	D6/570	X
D. 381,362	7/1997	Meyer	D6/571	X
D. 387,384	12/1997	Meyer	D6/569	X

Primary Examiner—Brian N. Vinson

Attorney, Agent, or Firm—Frishauf, Holtz, Goodman, Langer & Chick

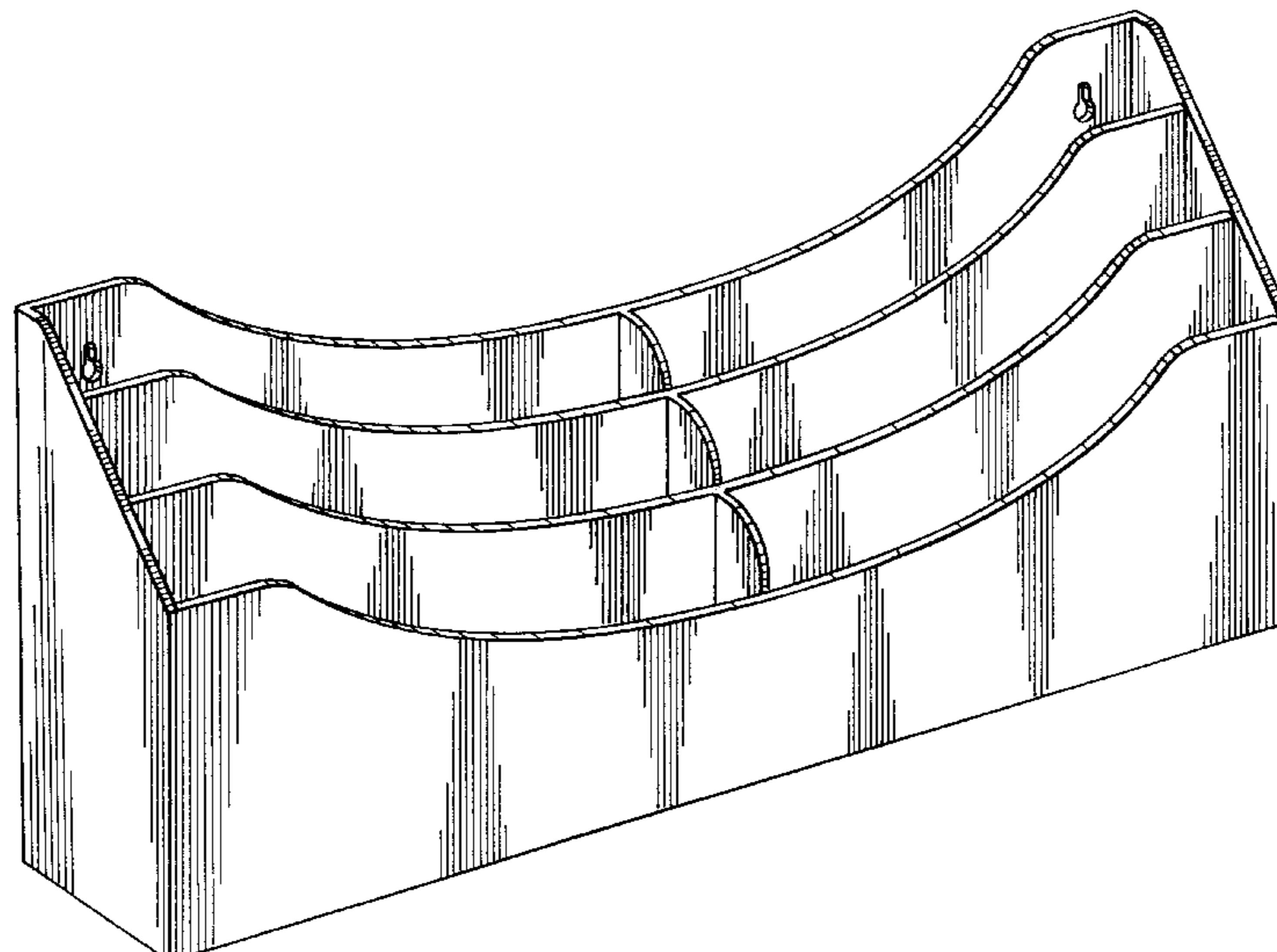
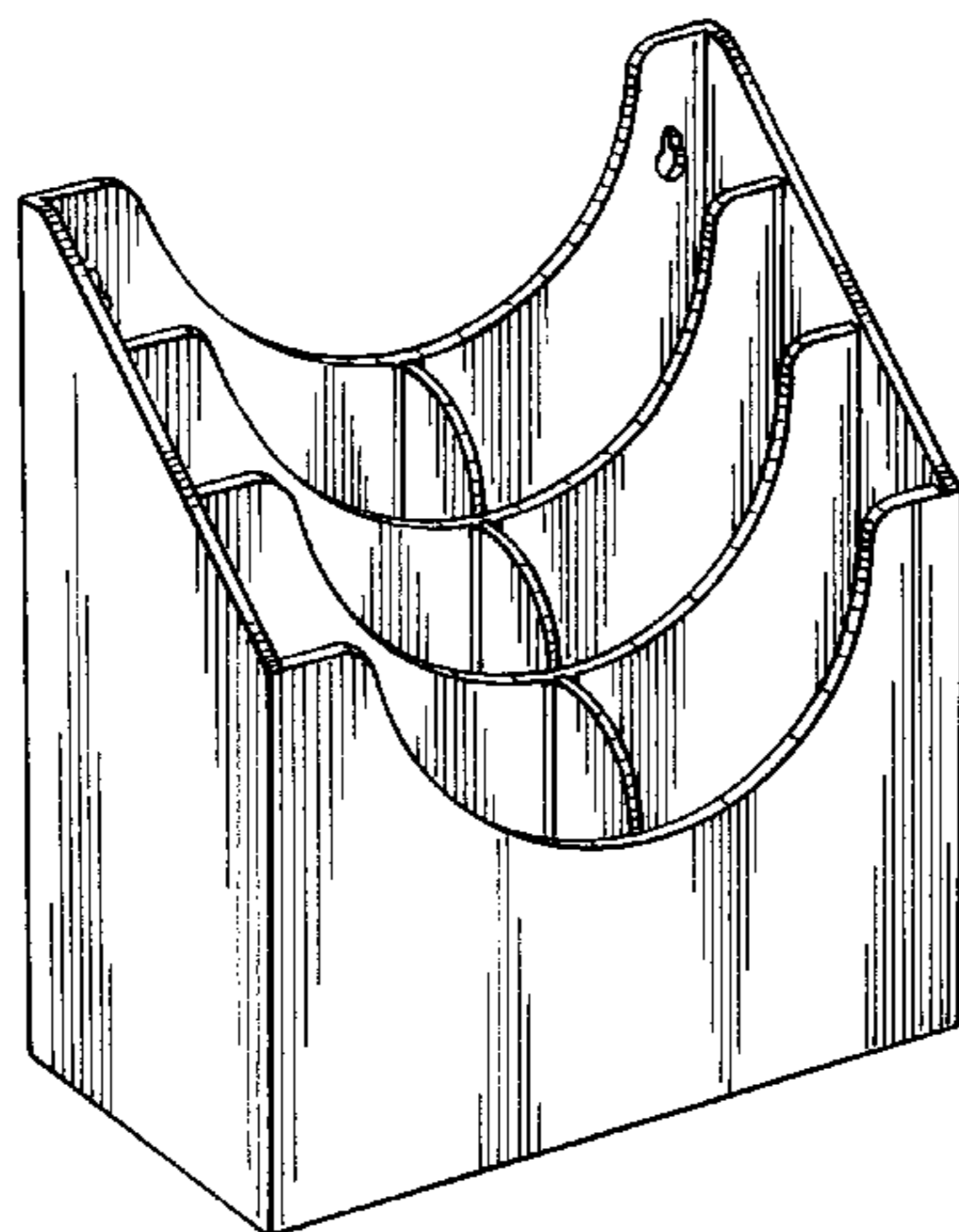
[57] CLAIM

The ornamental design for a storage rack, as shown and described.

DESCRIPTION

FIG. 1 is a front, left side and top perspective view of a storage rack showing my new design;
 FIG. 2 is a left side elevational view thereof, the right side elevational view being a mirror image;
 FIG. 3 is a front elevational view thereof;
 FIG. 4 is a rear elevational view thereof;
 FIG. 5 is a top plan view thereof;
 FIG. 6 is a bottom plan view thereof;
 FIG. 7 is a front, left side and top perspective view of a second embodiment thereof;
 FIG. 8 is a left side elevational view thereof, the right side elevational view being a mirror image;
 FIG. 9 is a front elevational view thereof;
 FIG. 10 is a rear elevational view thereof;
 FIG. 11 is a top plan view thereof; and,
 FIG. 12 is a bottom plan view thereof.

1 Claim, 4 Drawing Sheets



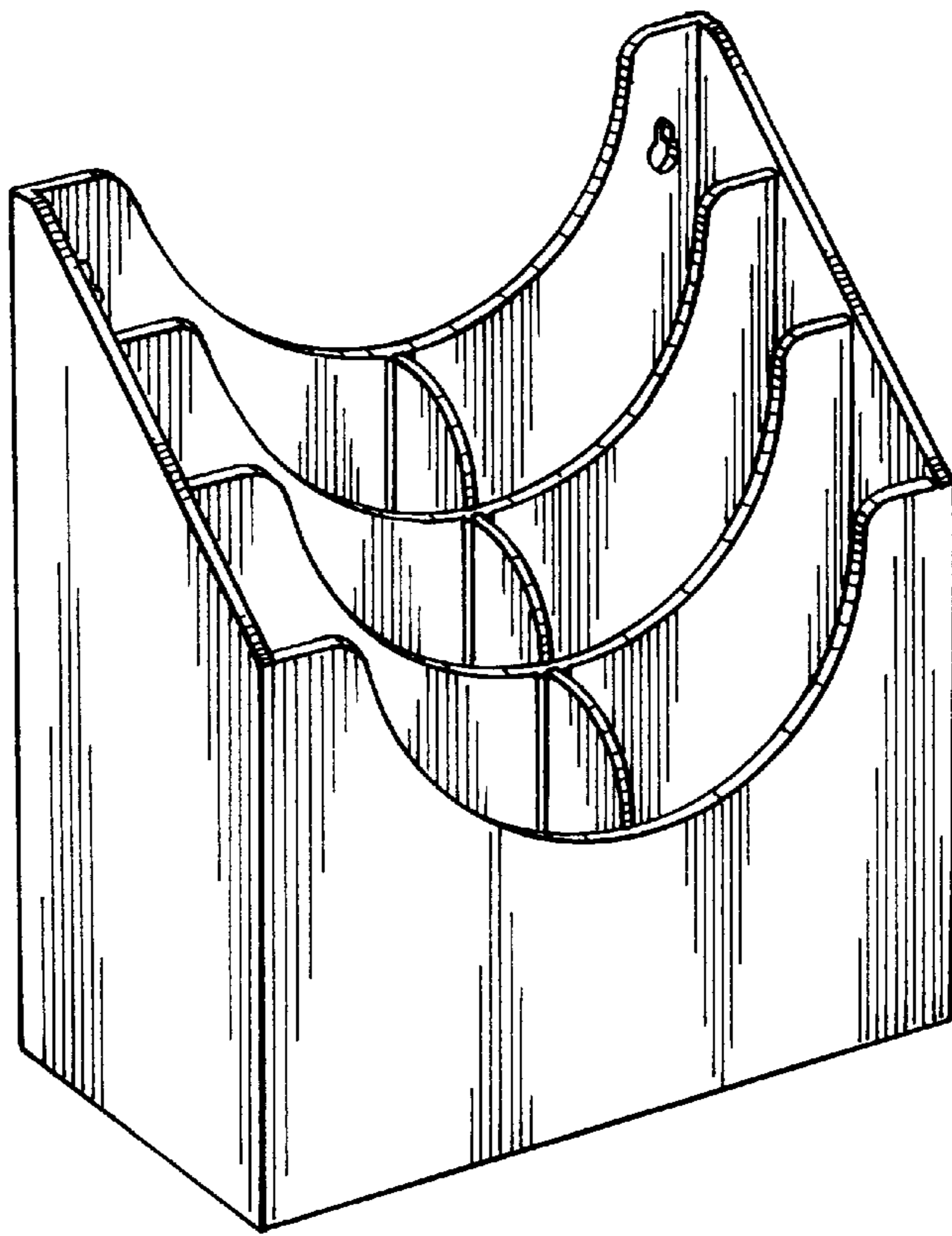


Fig. 1

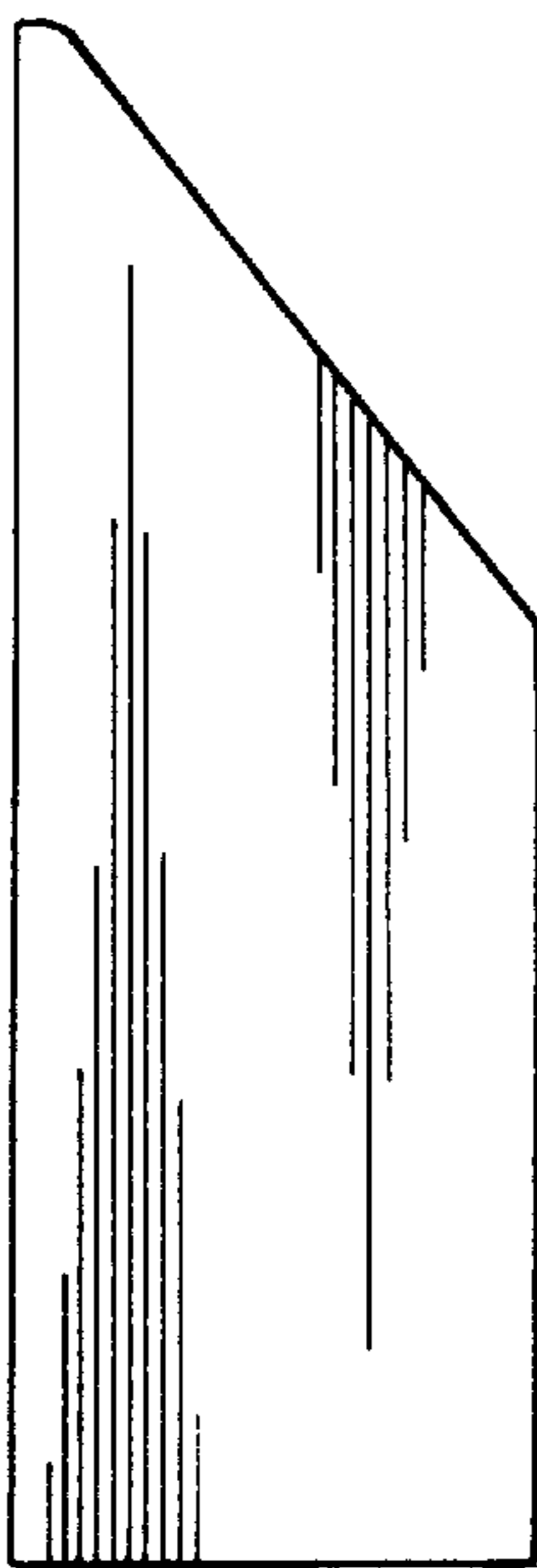


Fig. 2

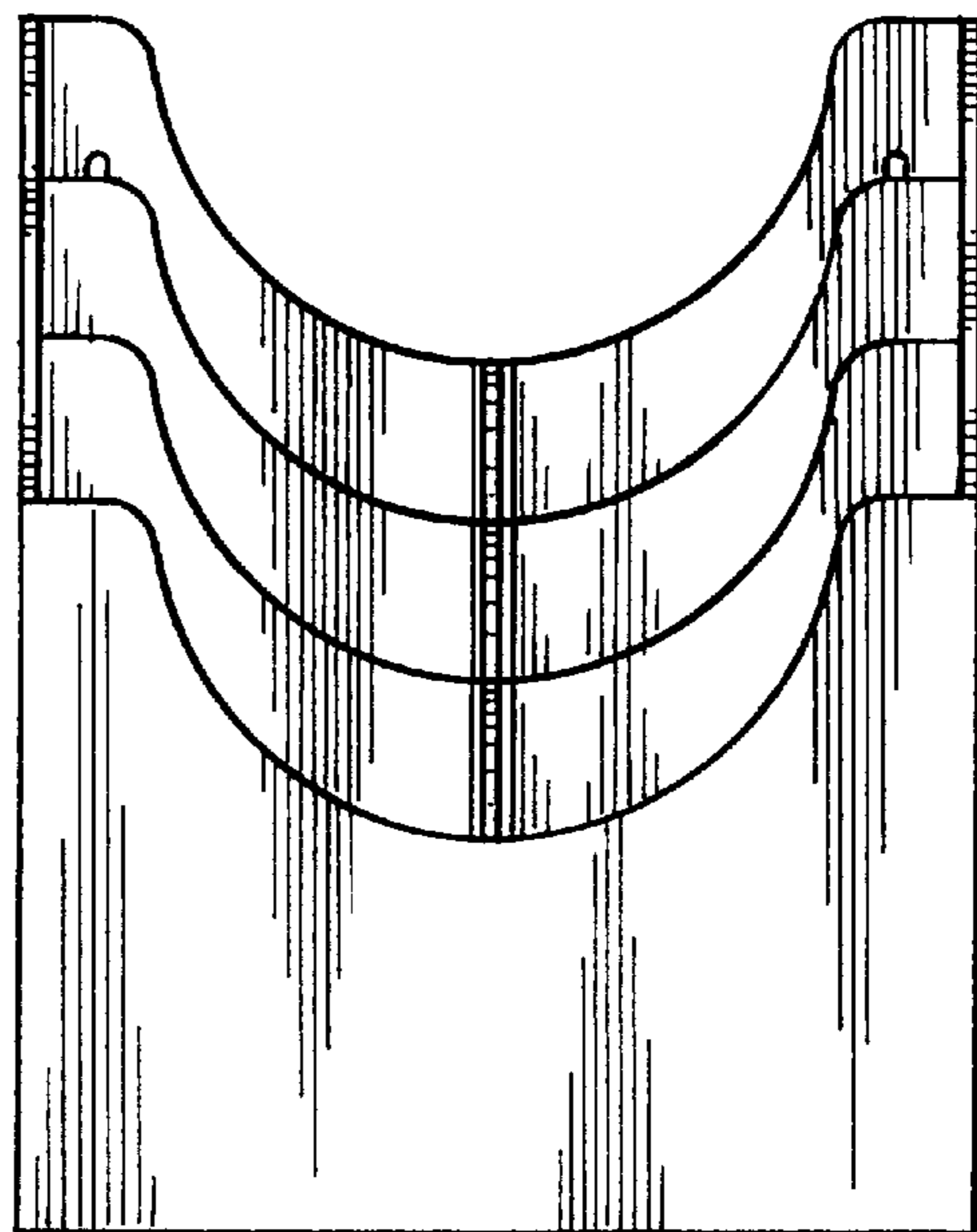


Fig. 3

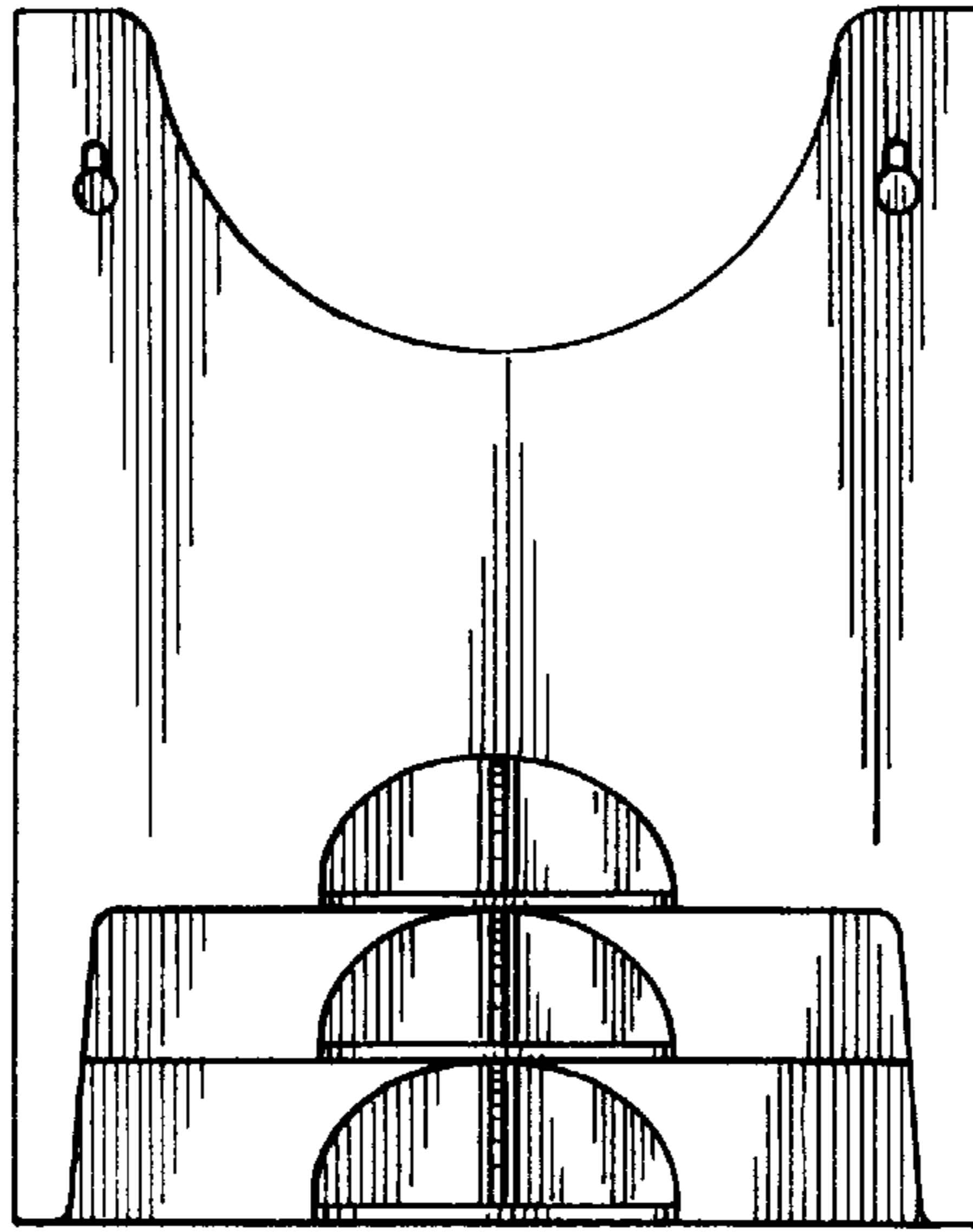


Fig. 4

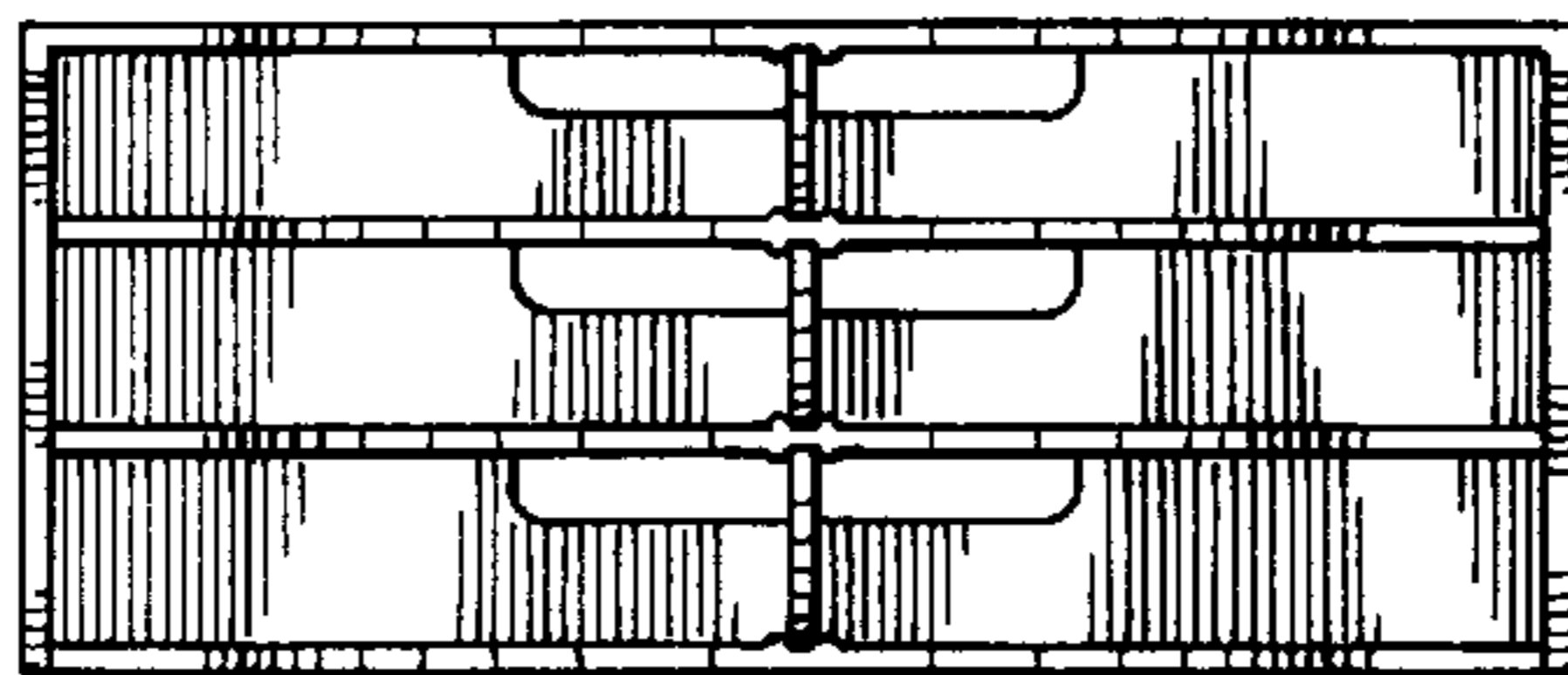


Fig. 5

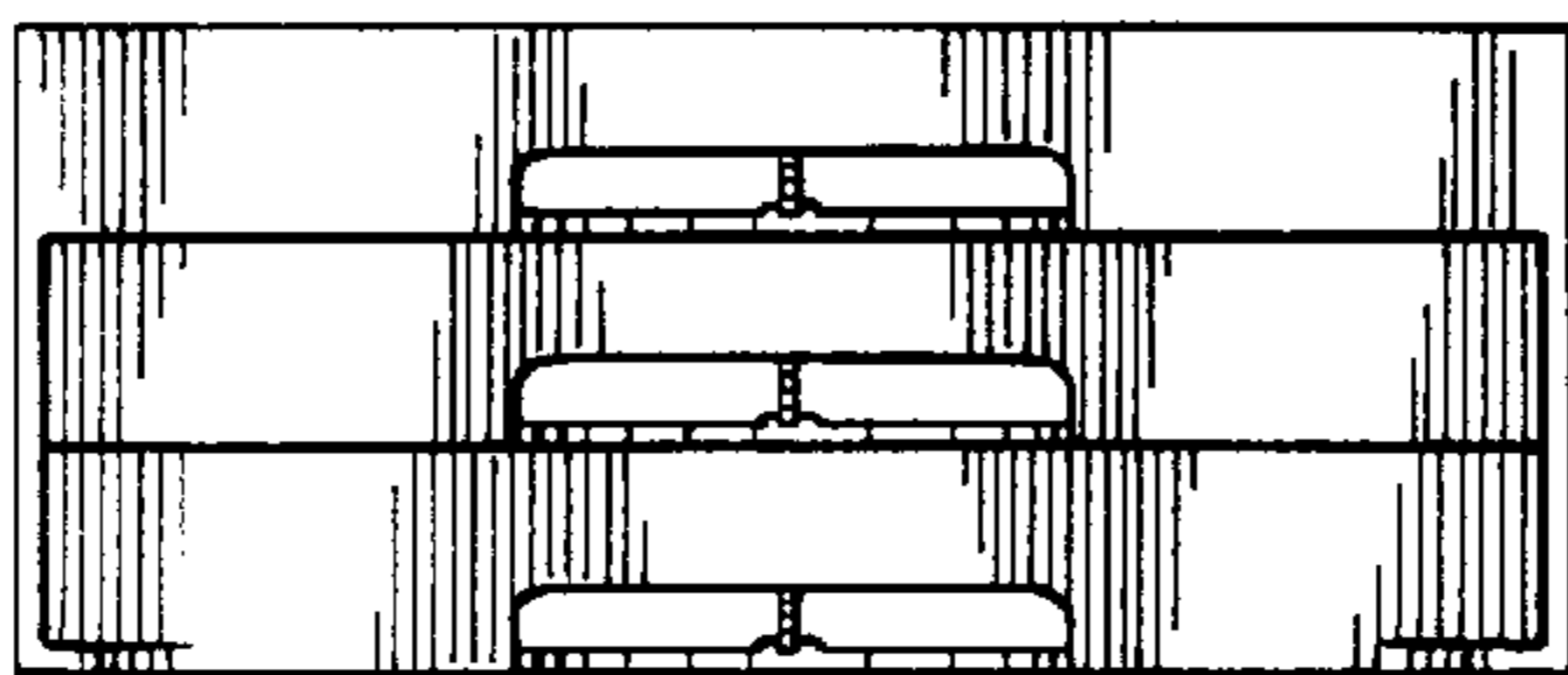


Fig. 6

Fig. 7

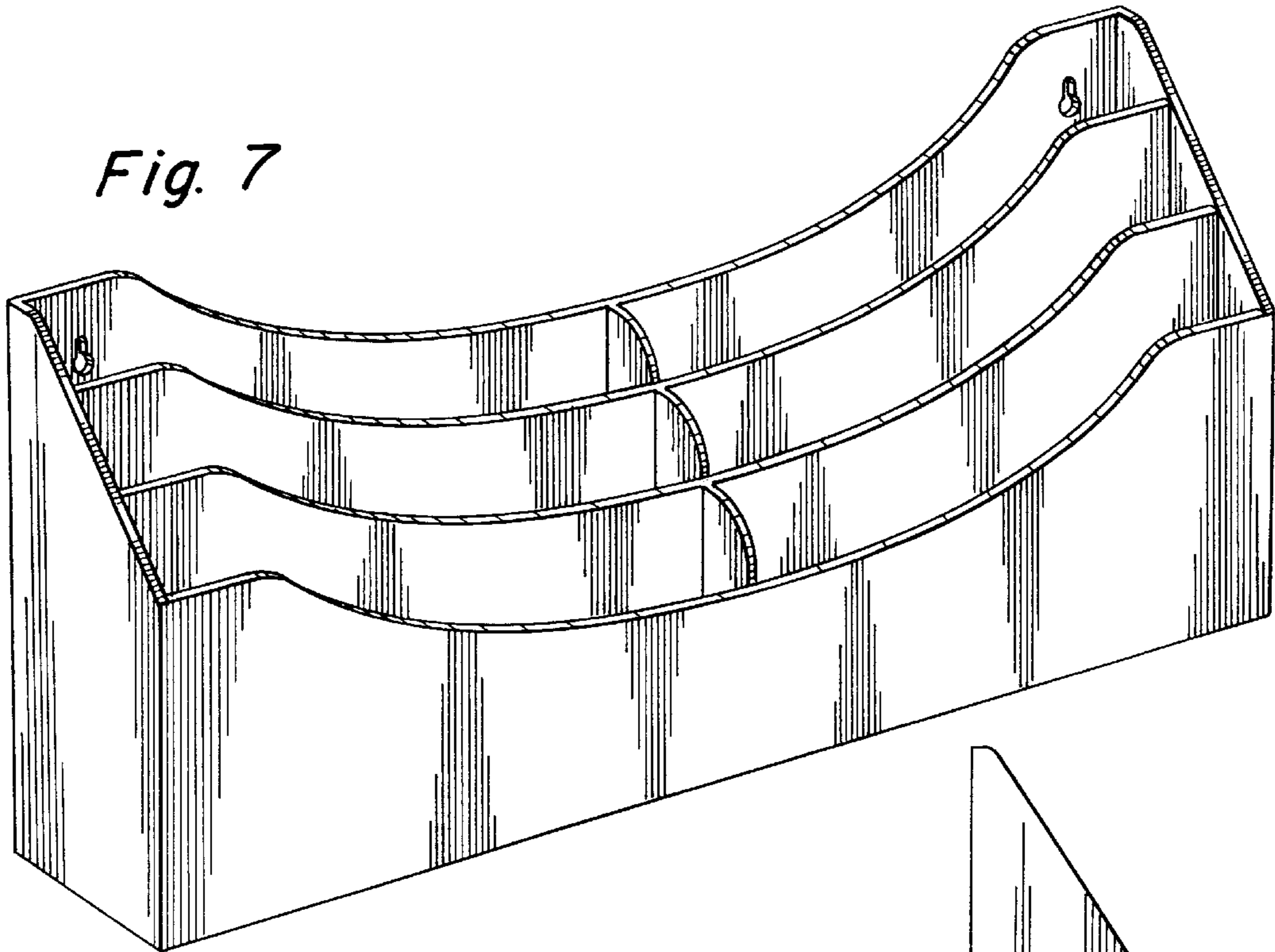


Fig. 8

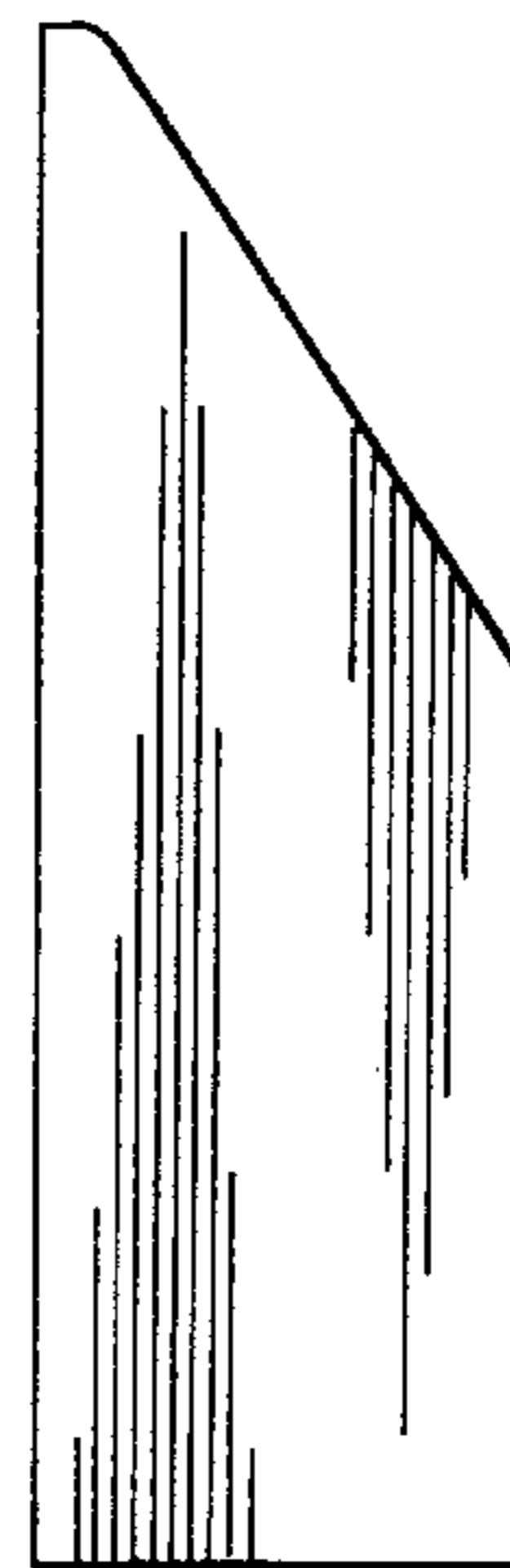
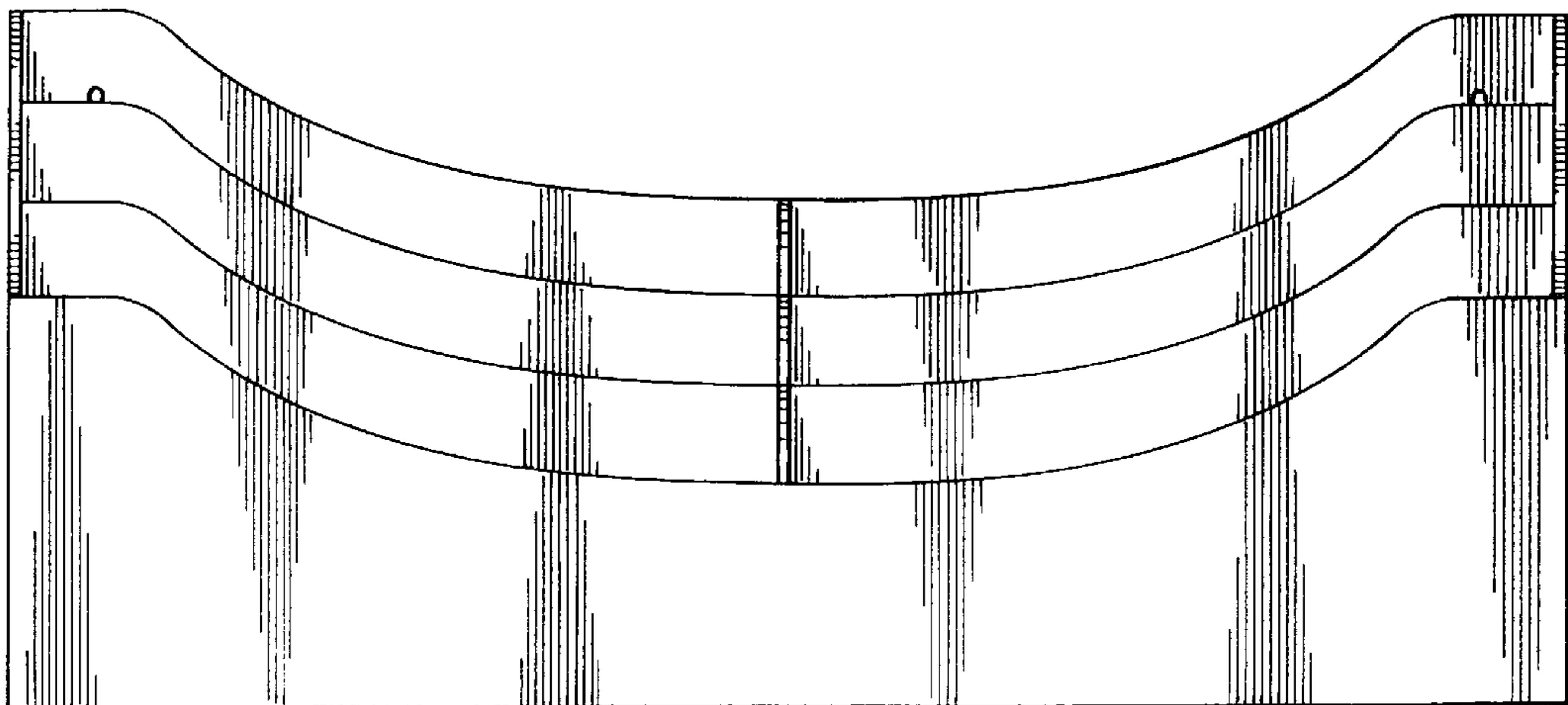


Fig. 9



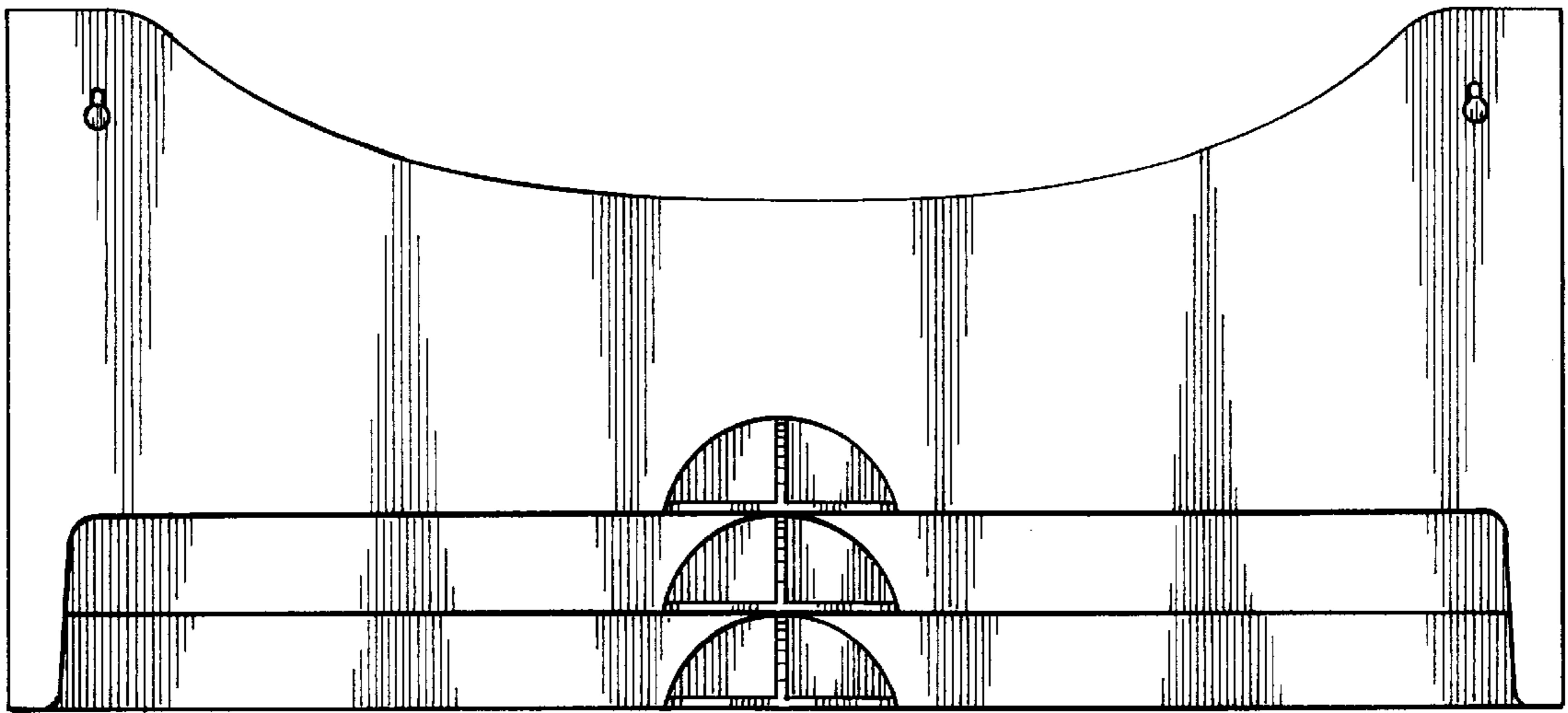


Fig. 10

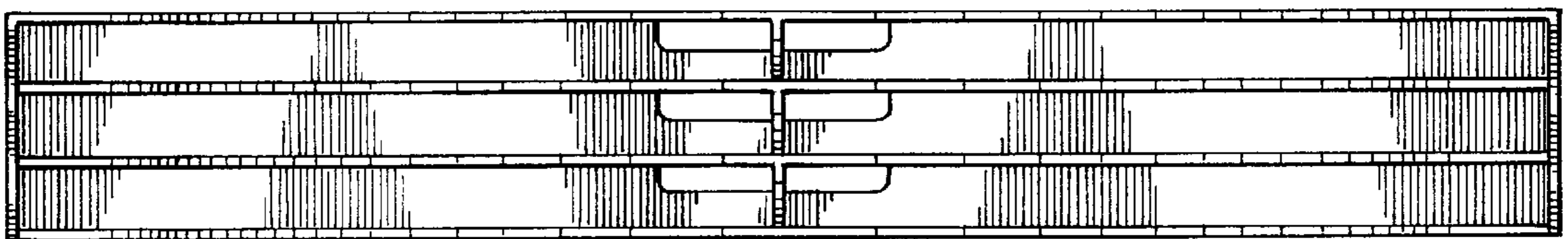


Fig. 11

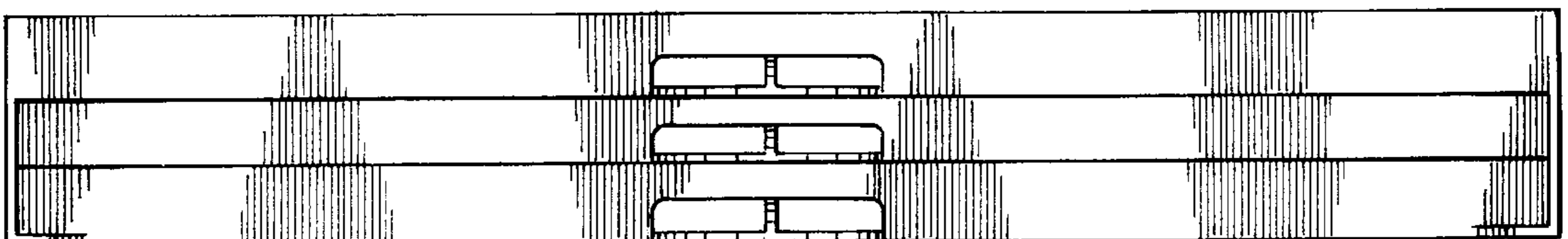


Fig. 12