



US00D411396S

United States Patent [19] Stumpf

[11] **Patent Number: Des. 411,396**

[45] **Date of Patent: ** Jun. 22, 1999**

[54] **CHAIR ARMREST**

[75] Inventor: **William S. Stumpf**, Waterloo, Canada

[73] Assignee: **Northfield Metal Products Ltd.**,
Waterloo, Canada

[**] Term: **14 Years**

[21] Appl. No.: **29/081,996**

[22] Filed: **Jan. 13, 1998**

[51] **LOC (6) Cl.** **06-06**

[52] **U.S. Cl.** **D6/501; D6/366**

[58] **Field of Search** D6/366-368, 500-502,
D6/495, 498; 297/411.2, 411.4, 411.44,
411.36, 450.1, 452.11, 452.21, 452.29,
463.1, 230.1, 230.12, 284.1, 284.4

[56] **References Cited**

U.S. PATENT DOCUMENTS

D. 349,621	8/1994	Wilson	D6/501
D. 376,716	12/1996	Nemeth, Jr.	D6/501
D. 398,174	9/1998	Fahnstrom et al.	D6/501
D. 399,664	10/1998	Goodworth et al.	D6/366
D. 401,771	12/1998	Goodworth et al.	D6/366

5,388,892	2/1995	Tornero	297/411.2 X
5,660,442	8/1997	Tonero	297/411.36
5,664,842	9/1997	Tseng	297/411.36
5,749,628	5/1998	Snyder et al.	297/411.36
5,769,497	6/1998	Tsai	297/411.36

OTHER PUBLICATIONS

Fixtures Furniture Catalog, arms of chair at front right, Oct. 1991.

Primary Examiner—Jeffrey Asch

Attorney, Agent, or Firm—Wood, Herron & Evans, LLP

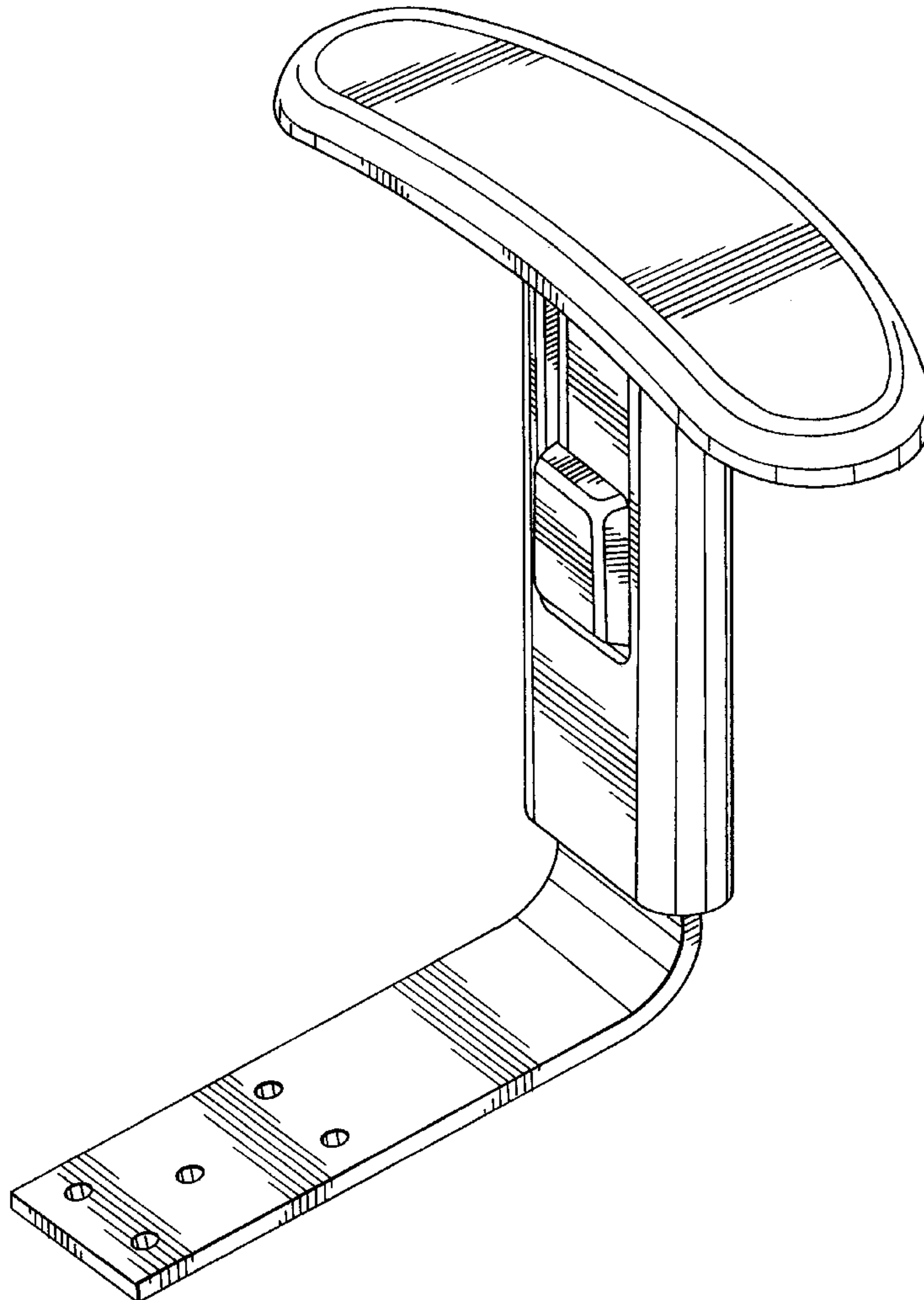
[57] **CLAIM**

The ornamental design for a chair armrest, as shown.

DESCRIPTION

FIG. 1 is a right side perspective view of the design;
FIG. 2 is a front view of the design;
FIG. 3 is a right side view of the design;
FIG. 4 is a rear view of the design;
FIG. 5 is a left side view of the design;
FIG. 6 is a top view of the design; and,
FIG. 7 is a bottom view of the design.

1 Claim, 7 Drawing Sheets



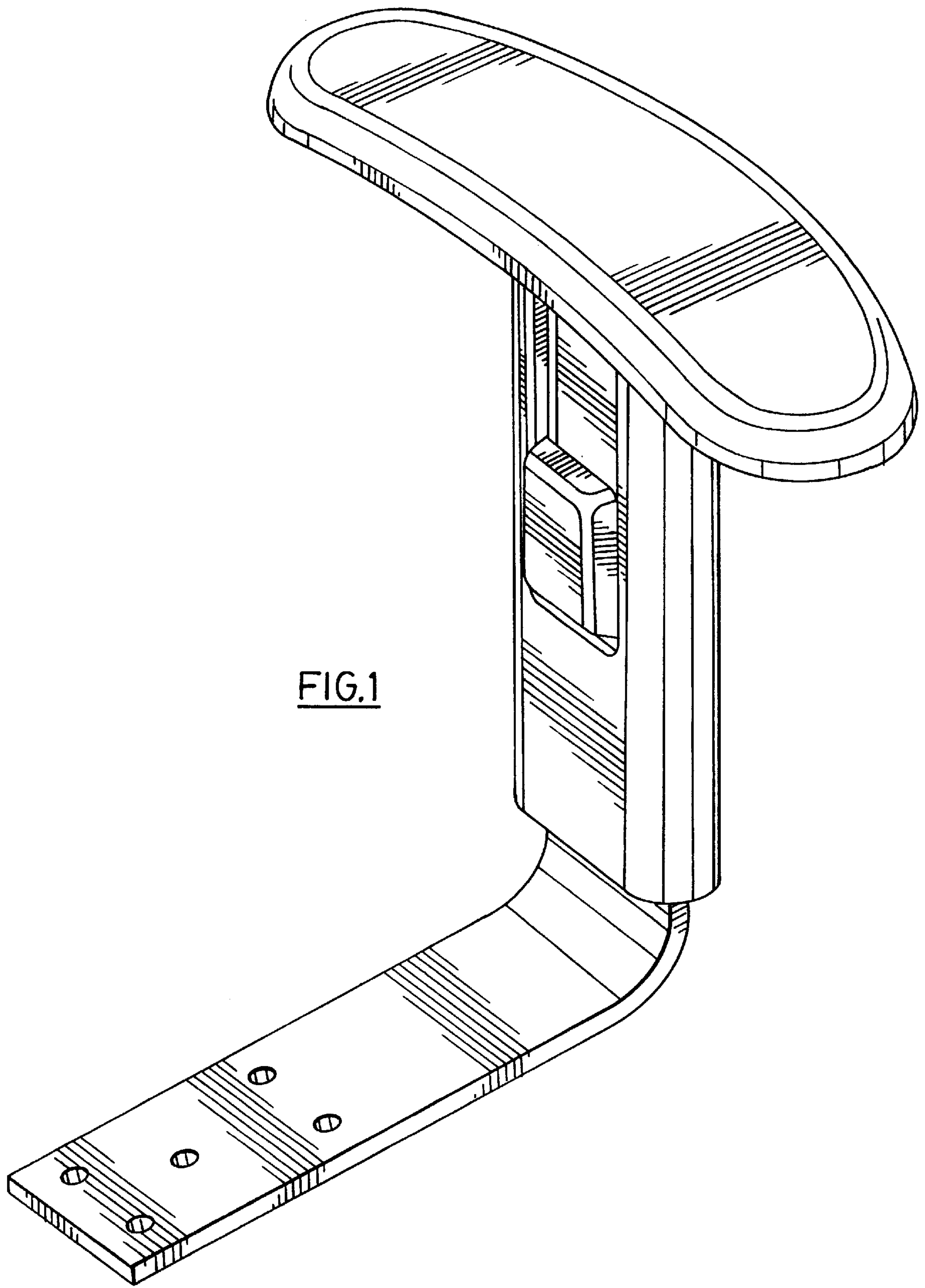


FIG.1

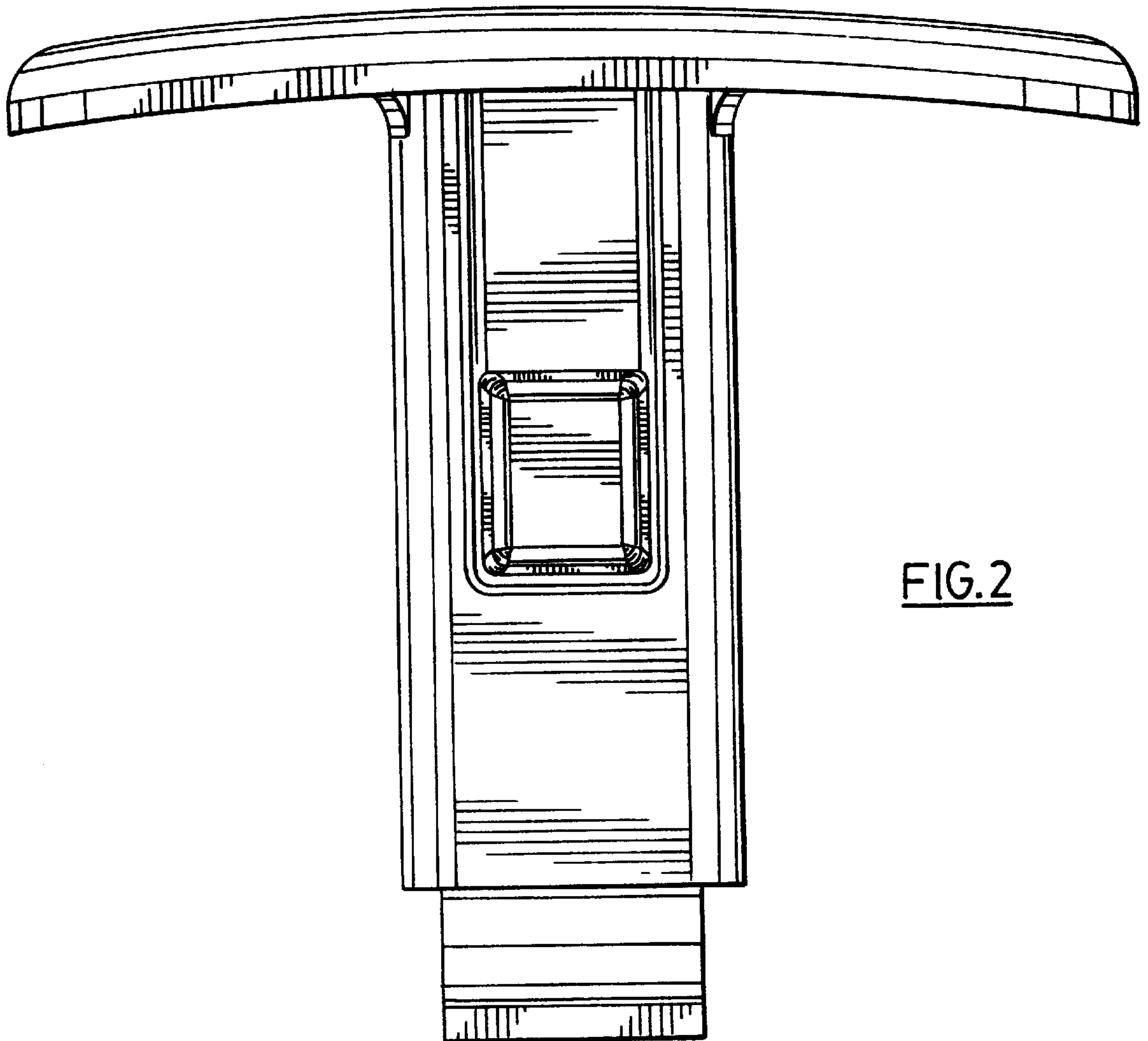


FIG. 2

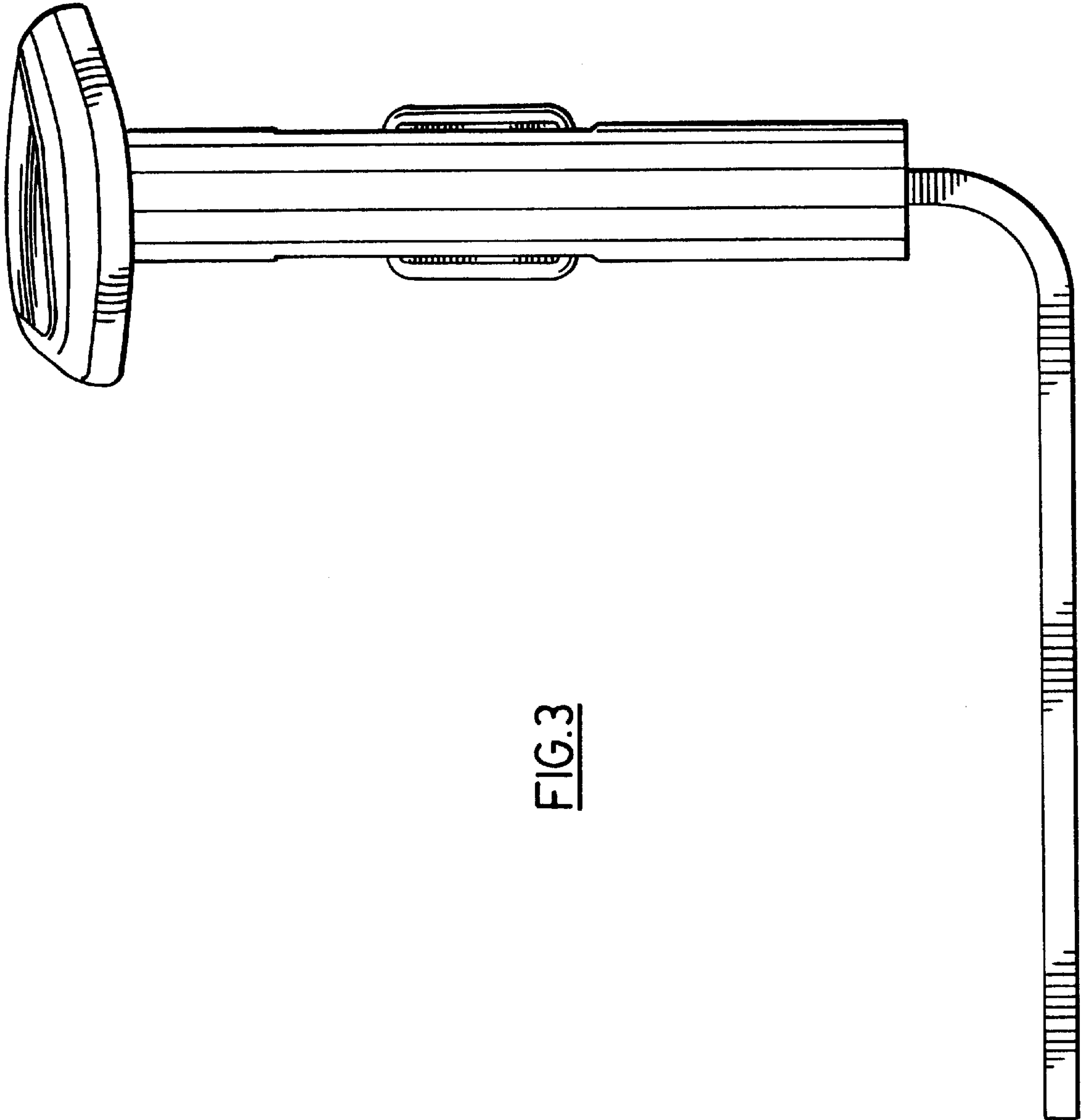


FIG. 3

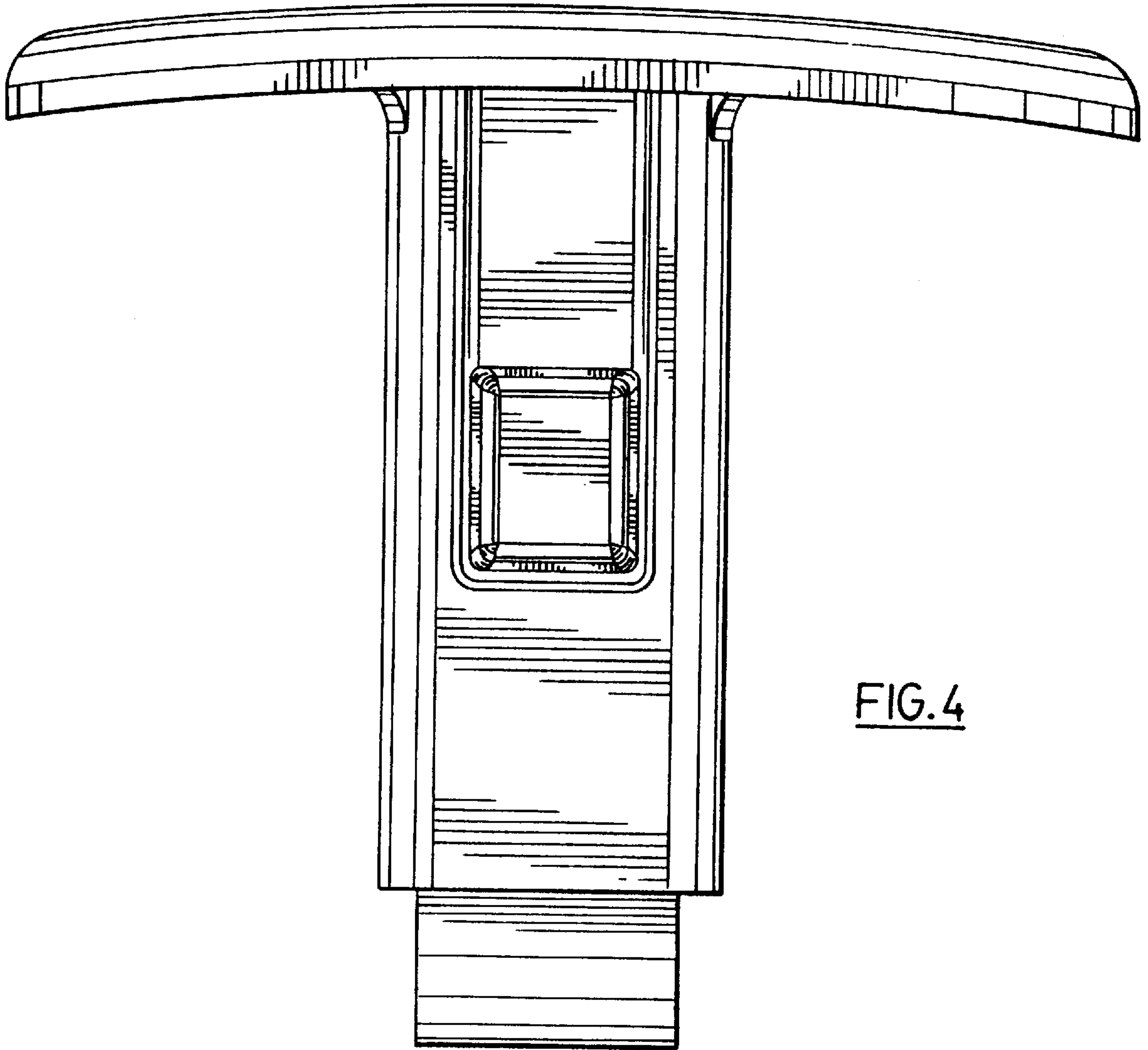


FIG. 4

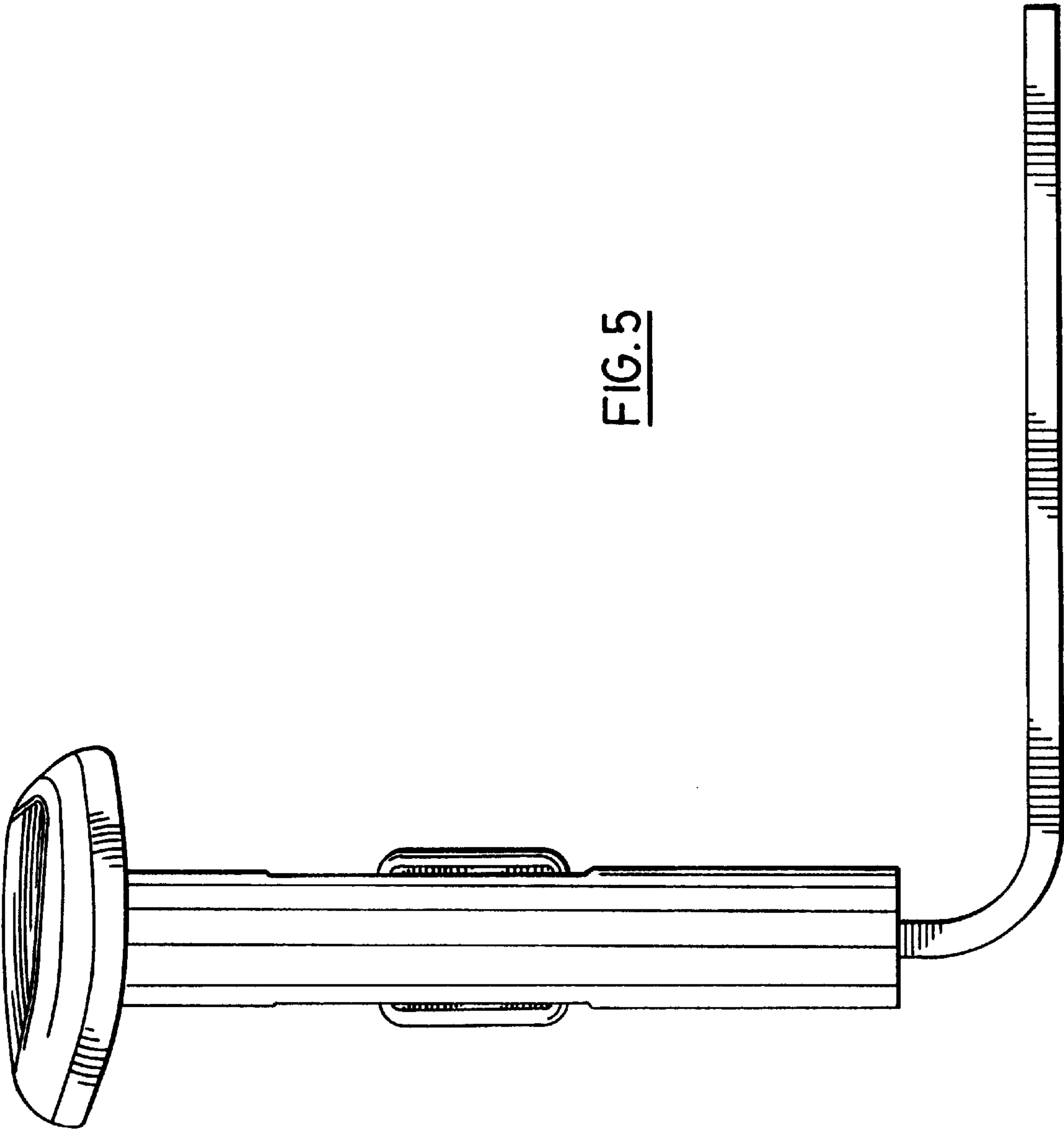


FIG. 5

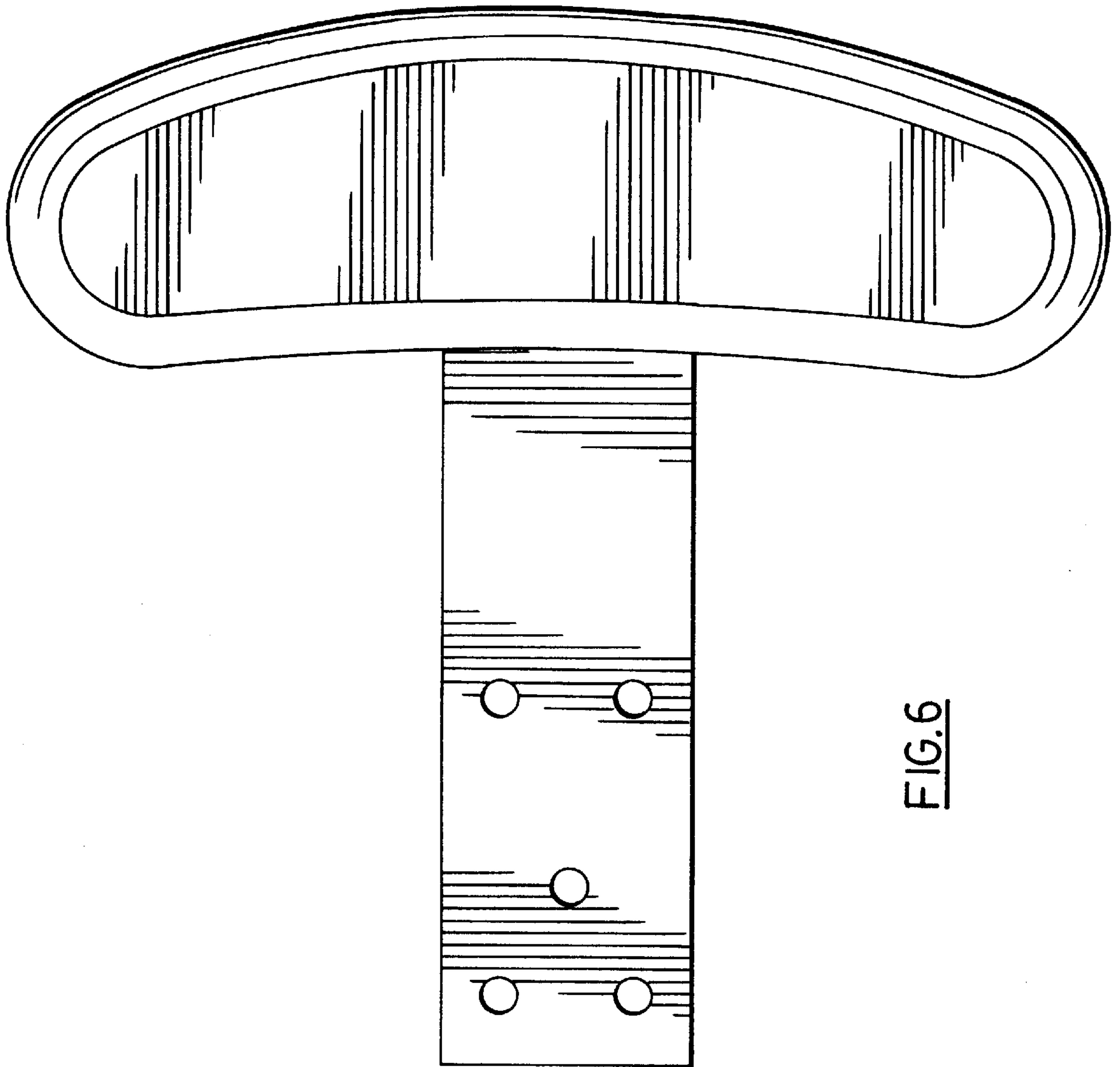


FIG. 6

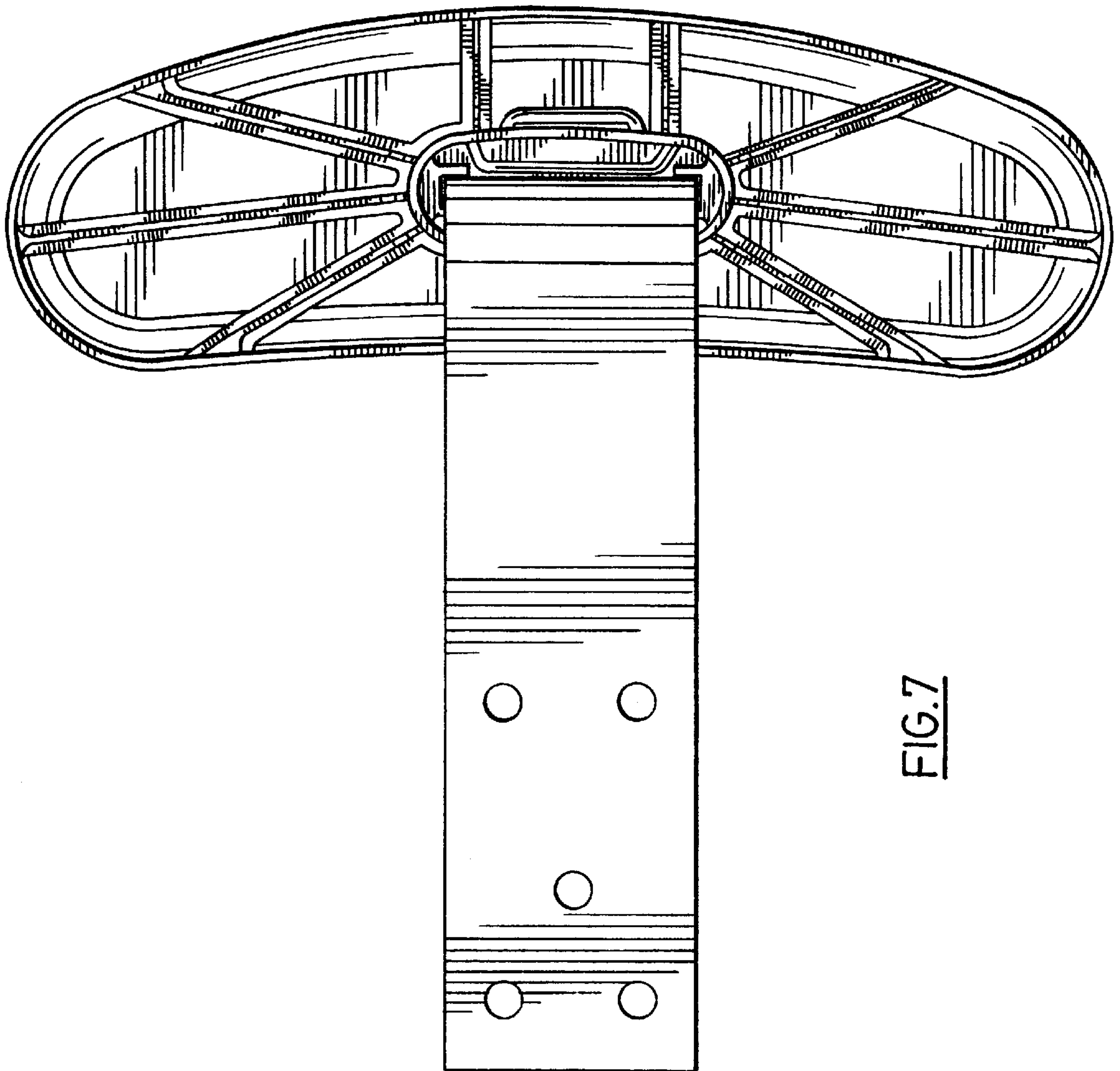


FIG. 7