



US00D411393S

United States Patent [19]

Mendoza

[11] Patent Number: Des. 411,393

[45] Date of Patent: ** Jun. 22, 1999

[54] ROUND DINING TABLE

4,003,320 1/1977 Owens et al. 108/157

[75] Inventor: Eric N. Mendoza, Mandaue City, Philippines

OTHER PUBLICATIONS

Ethan Ellen c1992, p.286, tables #1 and 7.
Polar Island, Aug. 15, 1995, p.2, table in center.
Tropitone, Sept. 1, 1991, table at bottom.
La Barge, Mar. 1973, p. 112A, table at top.

[73] Assignee: Artistica Metal Designs, Inc., Oxnard, Calif.

[**] Term: 14 Years

[21] Appl. No.: 29/088,123

Primary Examiner—Janice E. Seeger
Attorney, Agent, or Firm—John M. Harrington; Kilpatrick Stockton LLP

[22] Filed: May 15, 1998

[30] Foreign Application Priority Data

Nov. 19, 1997 [PH] Philippines D-13009

[57] CLAIM

The ornamental design for a round dining table, as shown.

[51] LOC (6) Cl. 06-03

[52] U.S. Cl. D6/480; D6/488

DESCRIPTION

[58] Field of Search D6/480-489, 495-497, D6/499, 451; 108/152, 153.1, 156, 157.1, 161; 248/188, 188.1, 188.8

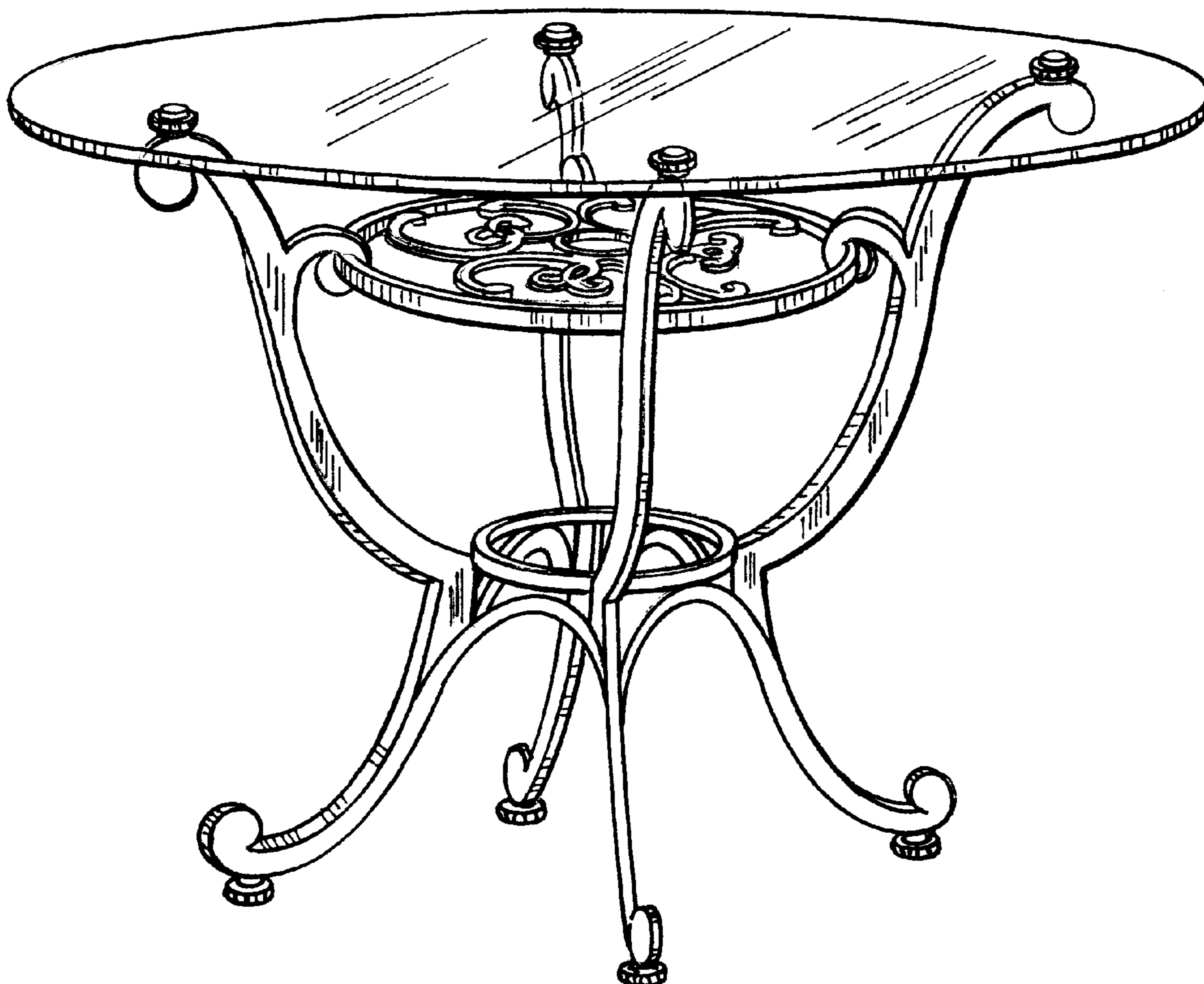
FIG. 1 is a perspective view of a round dining table embodying my design therefore;
FIG. 2 is a typical side elevational view; and,
FIG. 3 is a top plan view.

[56] References Cited

U.S. PATENT DOCUMENTS

D. 73,551 10/1927 Bach D6/488

1 Claim, 2 Drawing Sheets



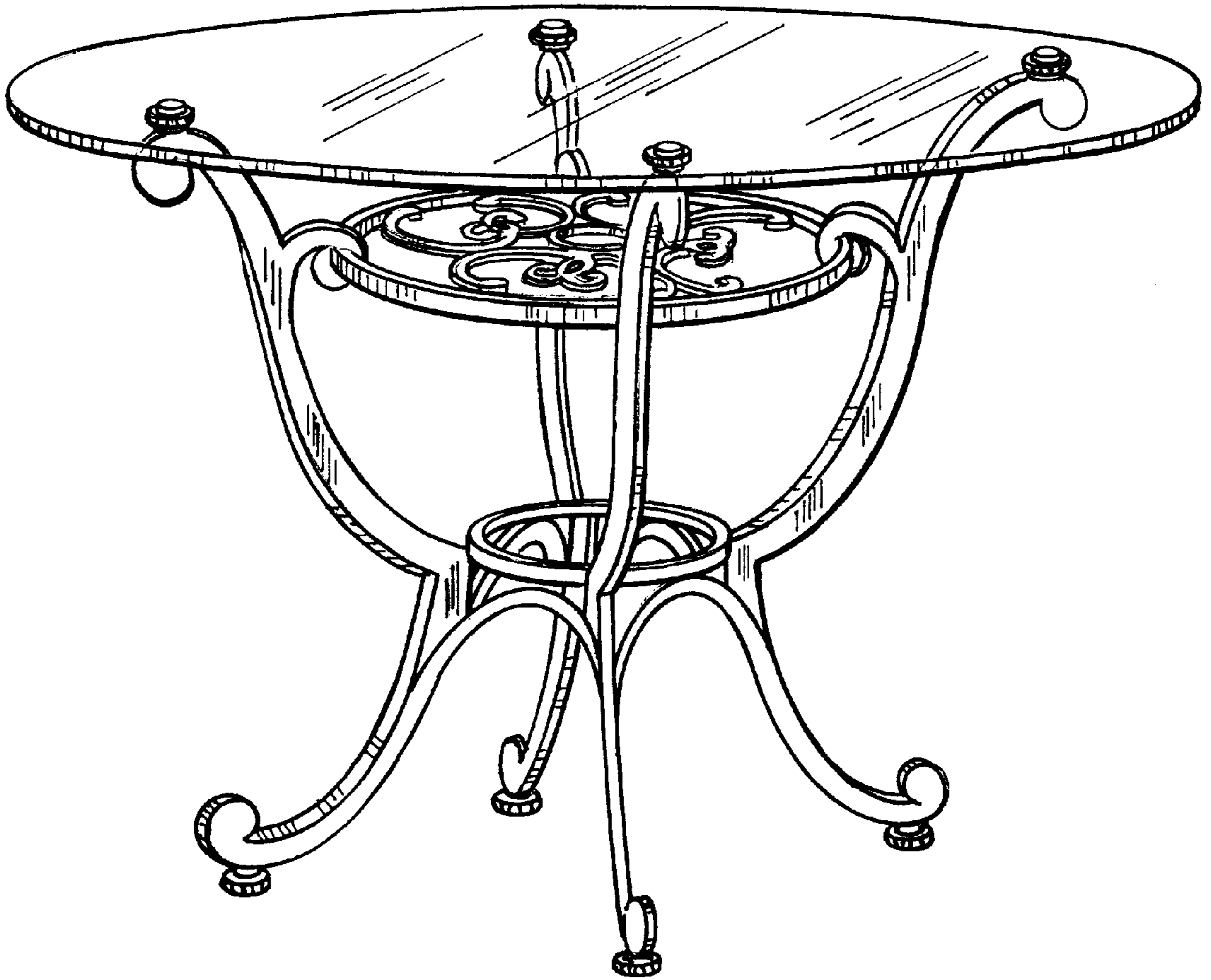


FIG. 1

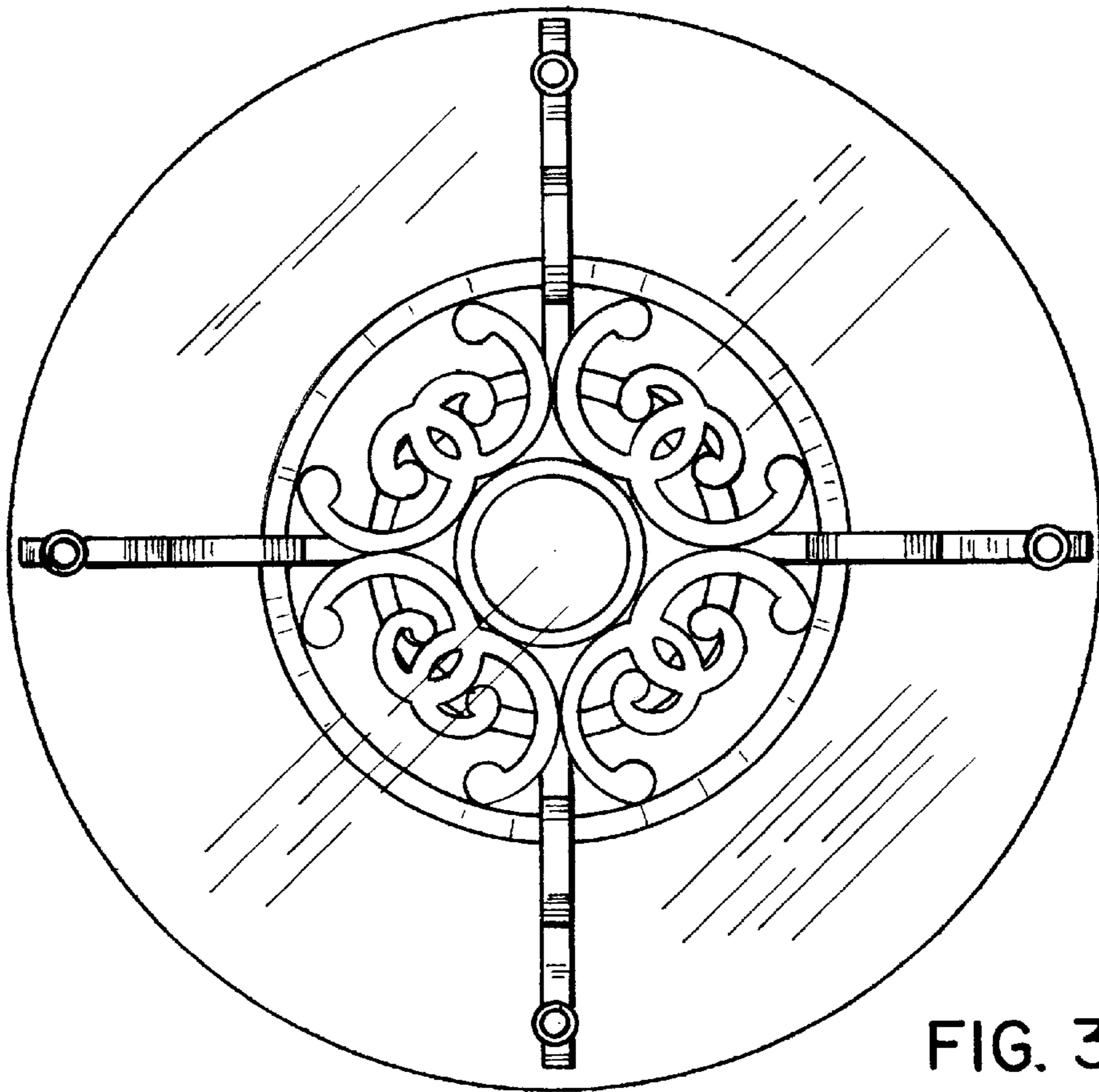


FIG. 3

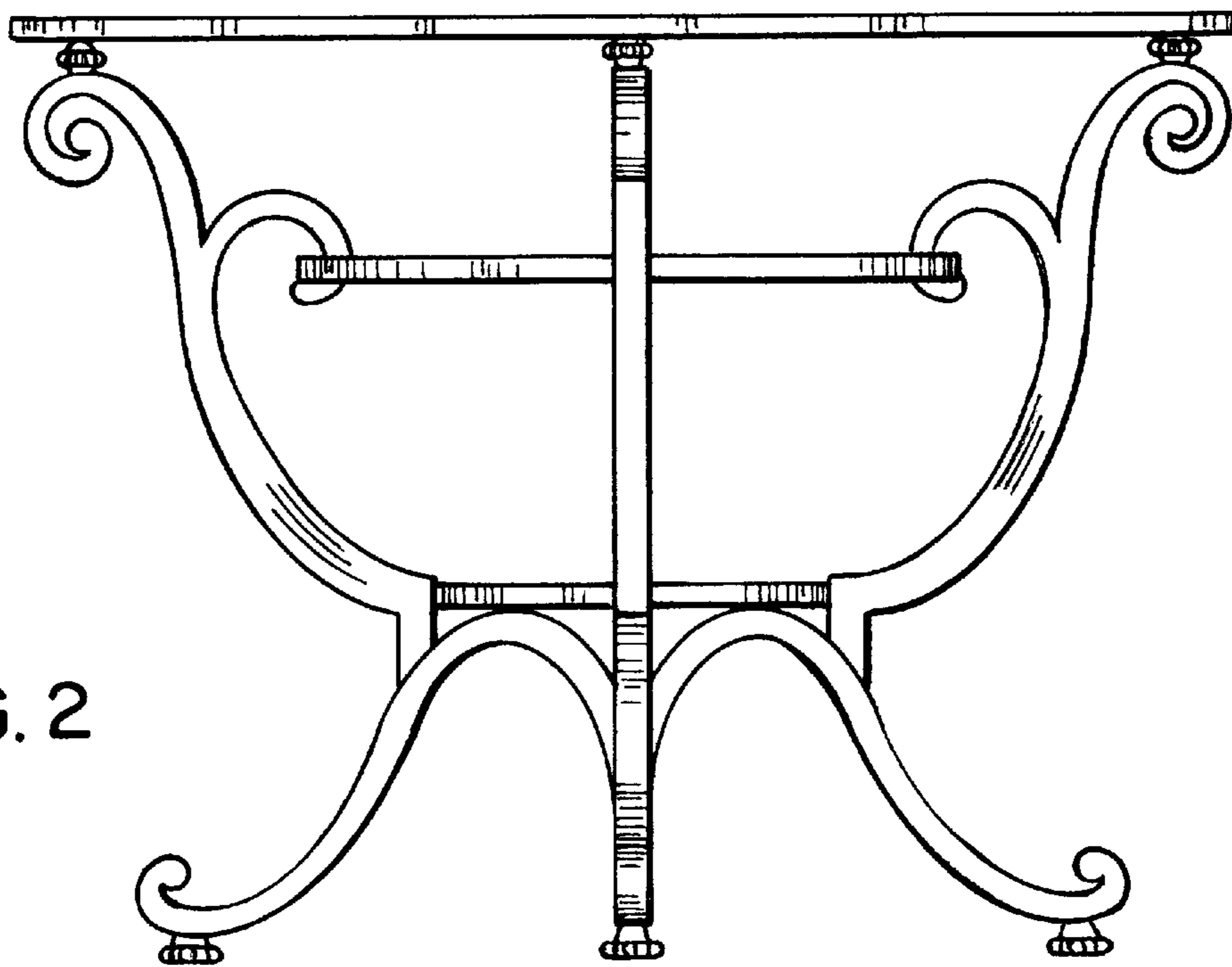


FIG. 2