



US00D411390S

United States Patent [19]

[11] **Patent Number: Des. 411,390**

Polson et al.

[45] **Date of Patent: ** Jun. 22, 1999**

[54] **COMPACT DISC STORAGE AND DISPLAY RACK**

[76] Inventors: **Thomas L. Polson**, 2287 Tenbrook;
Steven R. Lawson, 2283 Tenbrook,
both of Arnold, Mo. 63010

[**] Term: **14 Years**

[21] Appl. No.: **29/087,508**

[22] Filed: **May 4, 1998**

[51] **LOC (6) Cl.** **06-04**

[52] **U.S. Cl.** **D6/407**

[58] **Field of Search** D6/407, 629, 630,
D6/466-468, 474-479, 553, 567, 569, 570,
574; 206/307, 307.1, 308.1, 387.1, 387.15;
108/59, 60; 211/40, 41.1, 41.12, 70.1, 86.01,
87.01, 89.01, 90.01, 90.04, 94.01, 134,
153; 312/9.1, 9.9, 9.48, 9.52, 242, 223.2

[56] **References Cited**

U.S. PATENT DOCUMENTS

D. 239,231	3/1976	Cockcroft	D6/407
3,805,962	4/1974	Bendiksen	211/40
4,290,530	9/1981	Wooster	211/40
5,394,996	3/1995	Carpenter	211/94.01 X
5,485,926	1/1996	Kundert	211/40

Primary Examiner—Doris V. Coles

Assistant Examiner—Linda Brooks

Attorney, Agent, or Firm—Haverstock, Garrett and Roberts

[57] **CLAIM**

The ornamental design for a compact disc storage and display rack, as shown and described.

DESCRIPTION

FIG. 1 is a perspective view of a compact disc storage and display rack showing my new design;

FIG. 2 is a left side elevational view thereof, the right side elevational view being a mirror image thereof;

FIG. 3 is a front elevational view thereof;

FIG. 4 is a top plan view thereof, the bottom plan view being a mirror image thereof;

FIG. 5 is a rear elevational view thereof;

FIG. 6 is an enlarged fragmentary cross-sectional view taken along line 6—6 of FIG. 3;

FIG. 7 is an enlarged fragmentary cross-sectional view taken along line 7—7 of FIG. 3;

FIG. 8 is a perspective view of an alternative embodiment of FIG. 1;

FIG. 9 is a left side elevational view of the alternative embodiment, the right side elevational view being a mirror image thereof;

FIG. 10 is a front elevational view of the alternative embodiment;

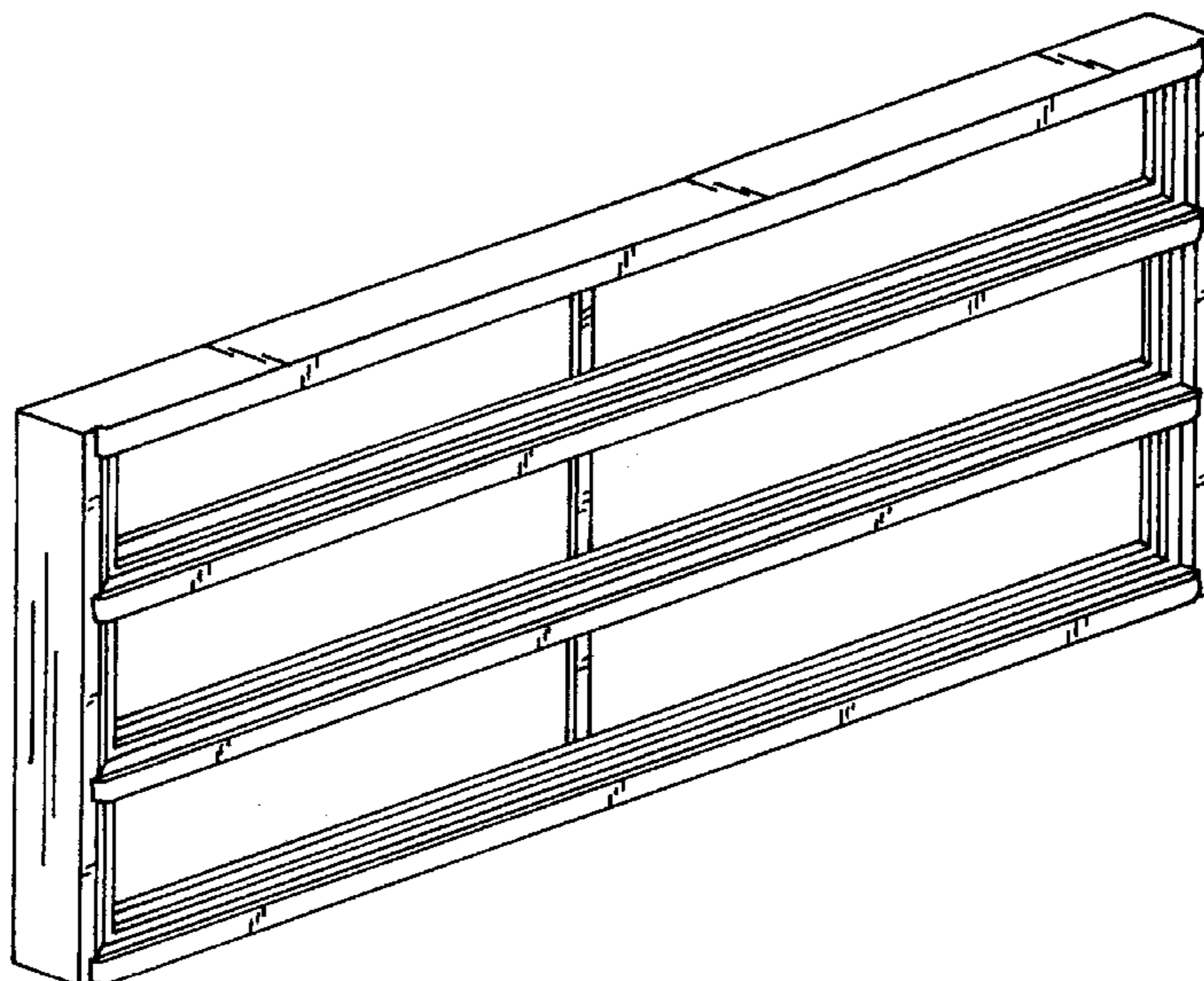
FIG. 11 is a top plan view of the alternative embodiment, the bottom plan view being a mirror image thereof;

FIG. 12 is a rear elevational view of the alternative embodiment;

FIG. 13 is an enlarged fragmentary cross-sectional view taken along line 13—13 of FIG. 10; and,

FIG. 14 is an enlarged fragmentary cross-sectional view taken along line 14—14 of FIG. 10.

1 Claim, 4 Drawing Sheets



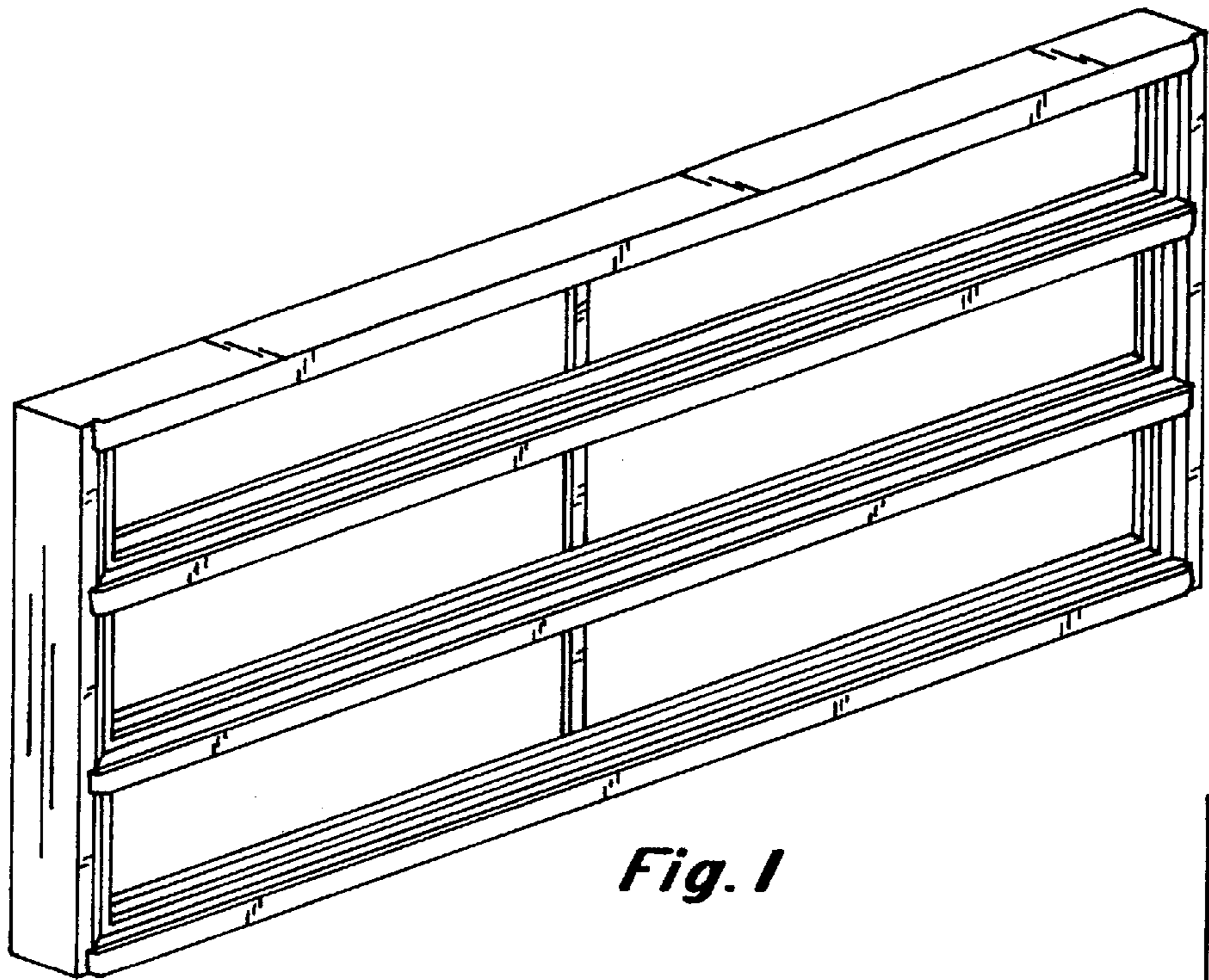


Fig. 1

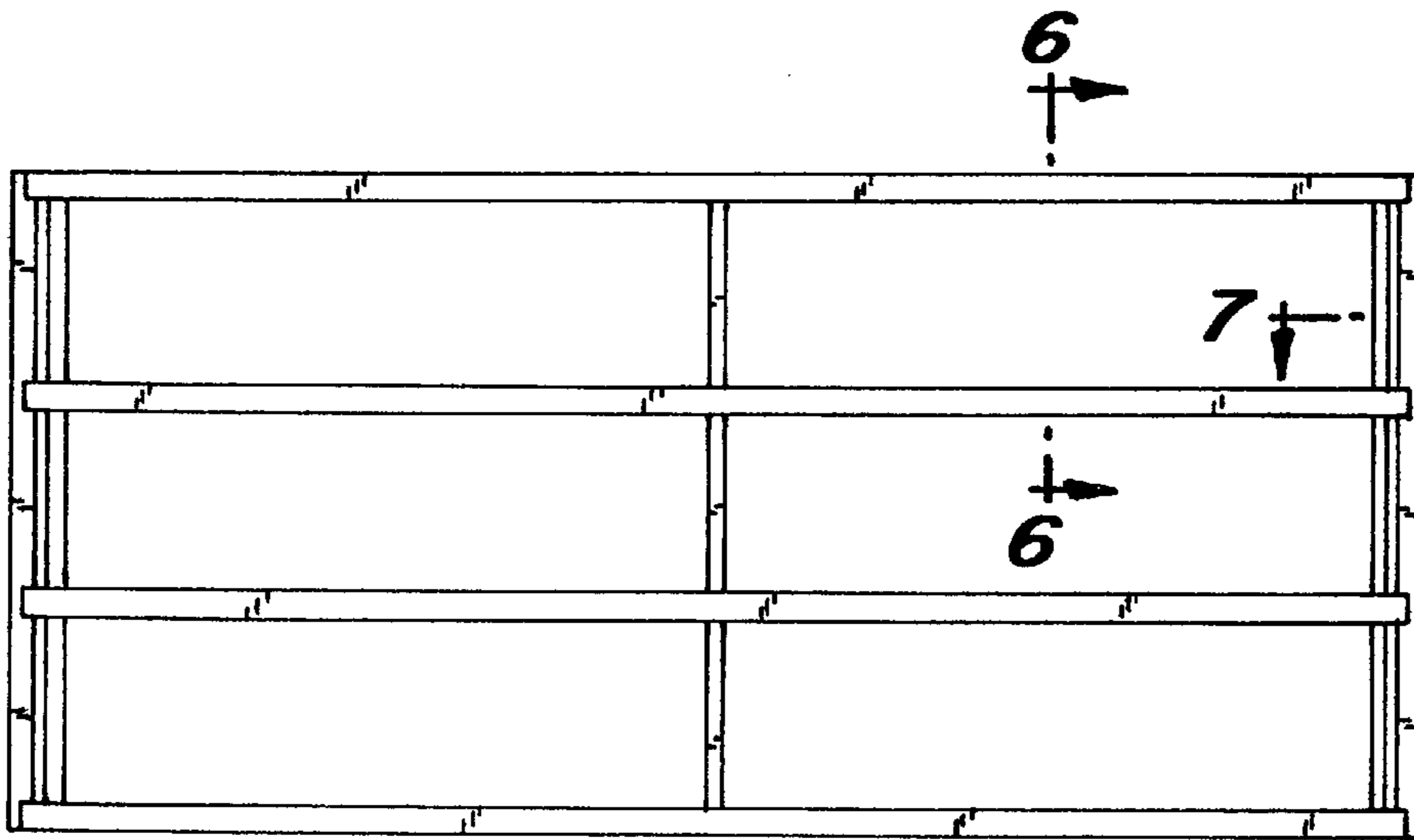


Fig. 3



Fig. 2



Fig. 4

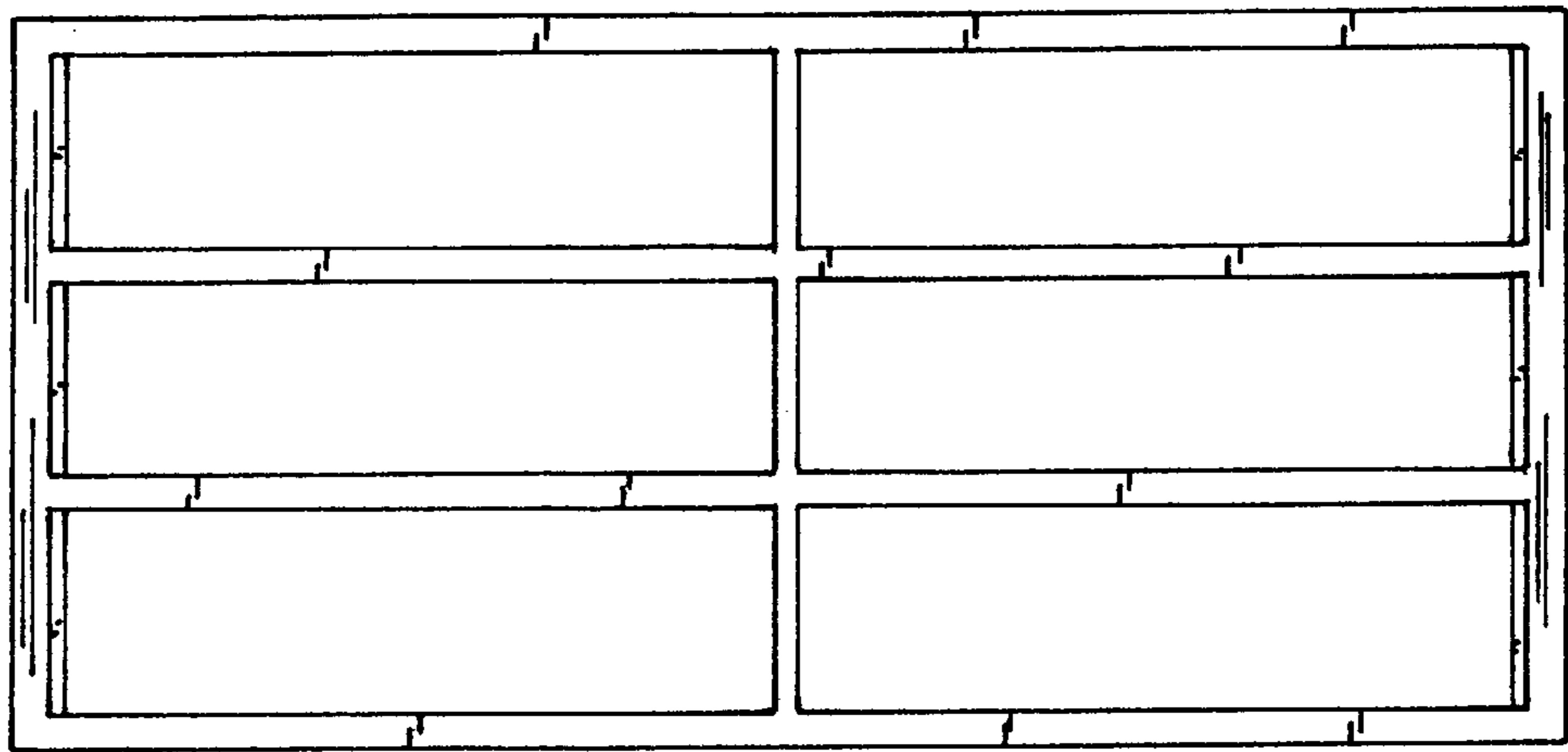


Fig. 5

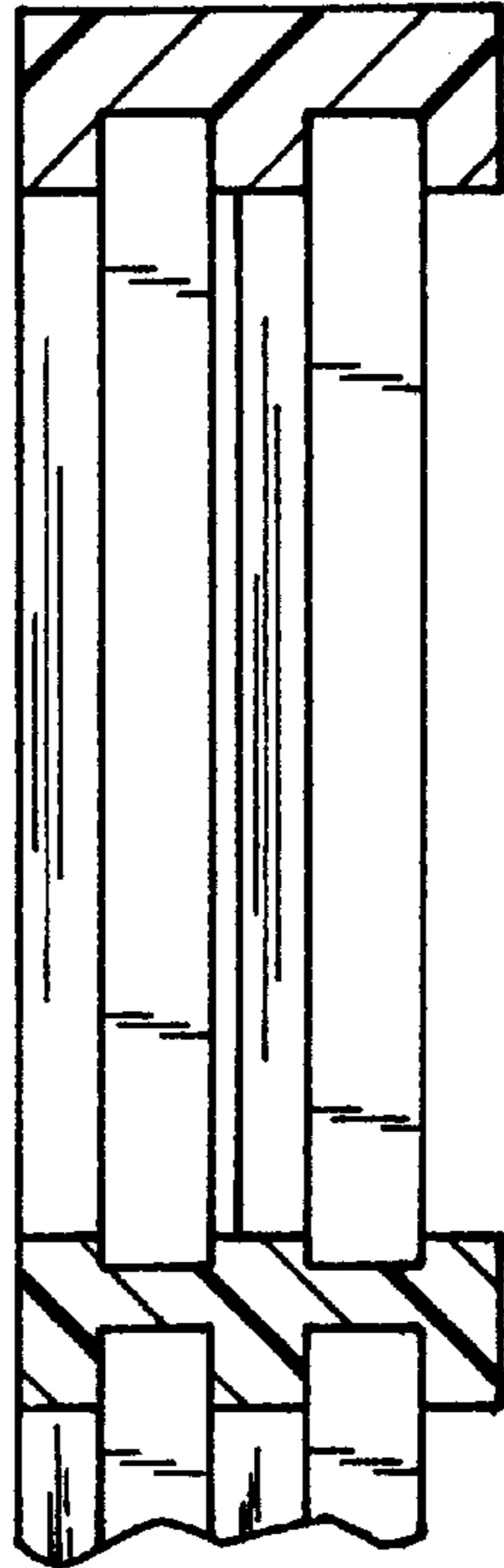


Fig. 6

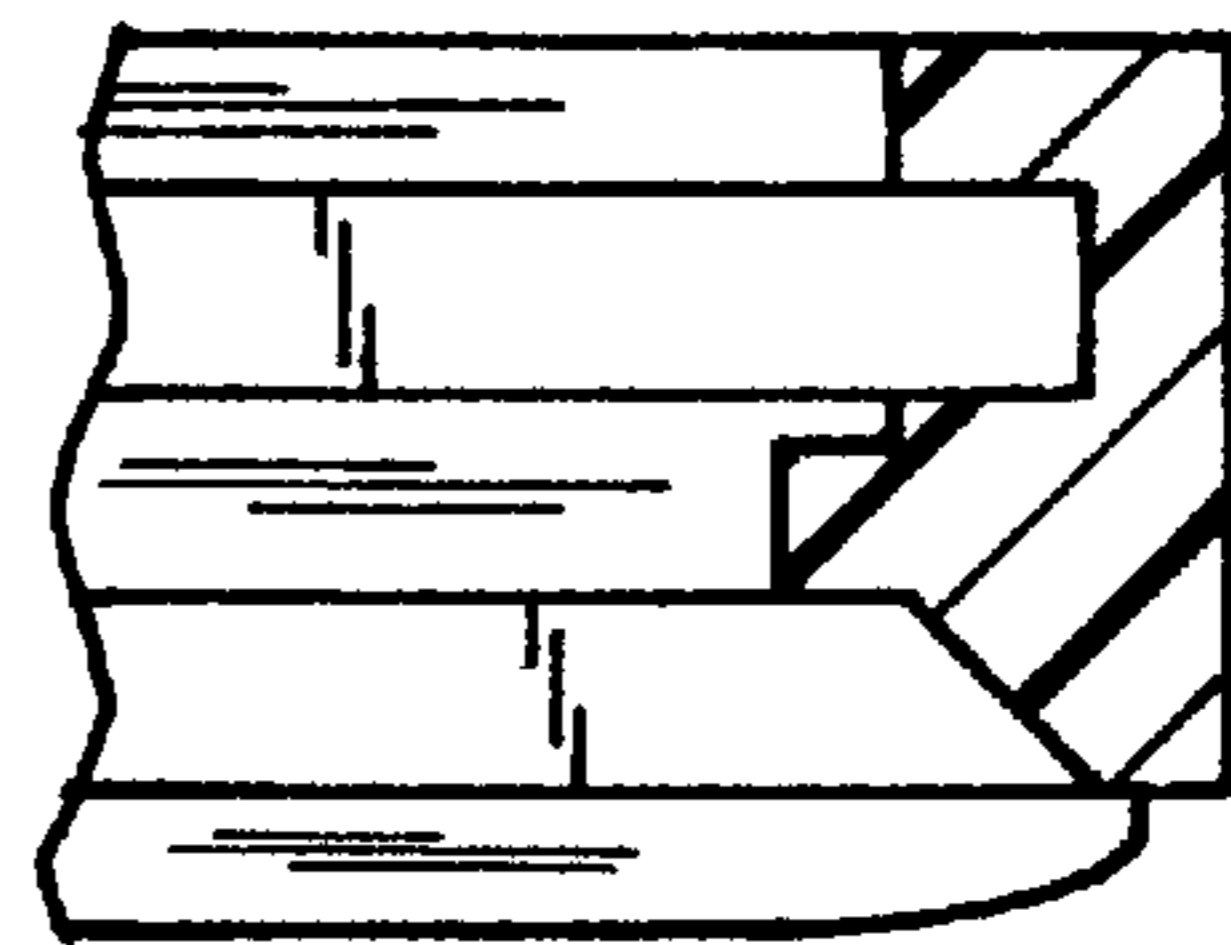


Fig. 7

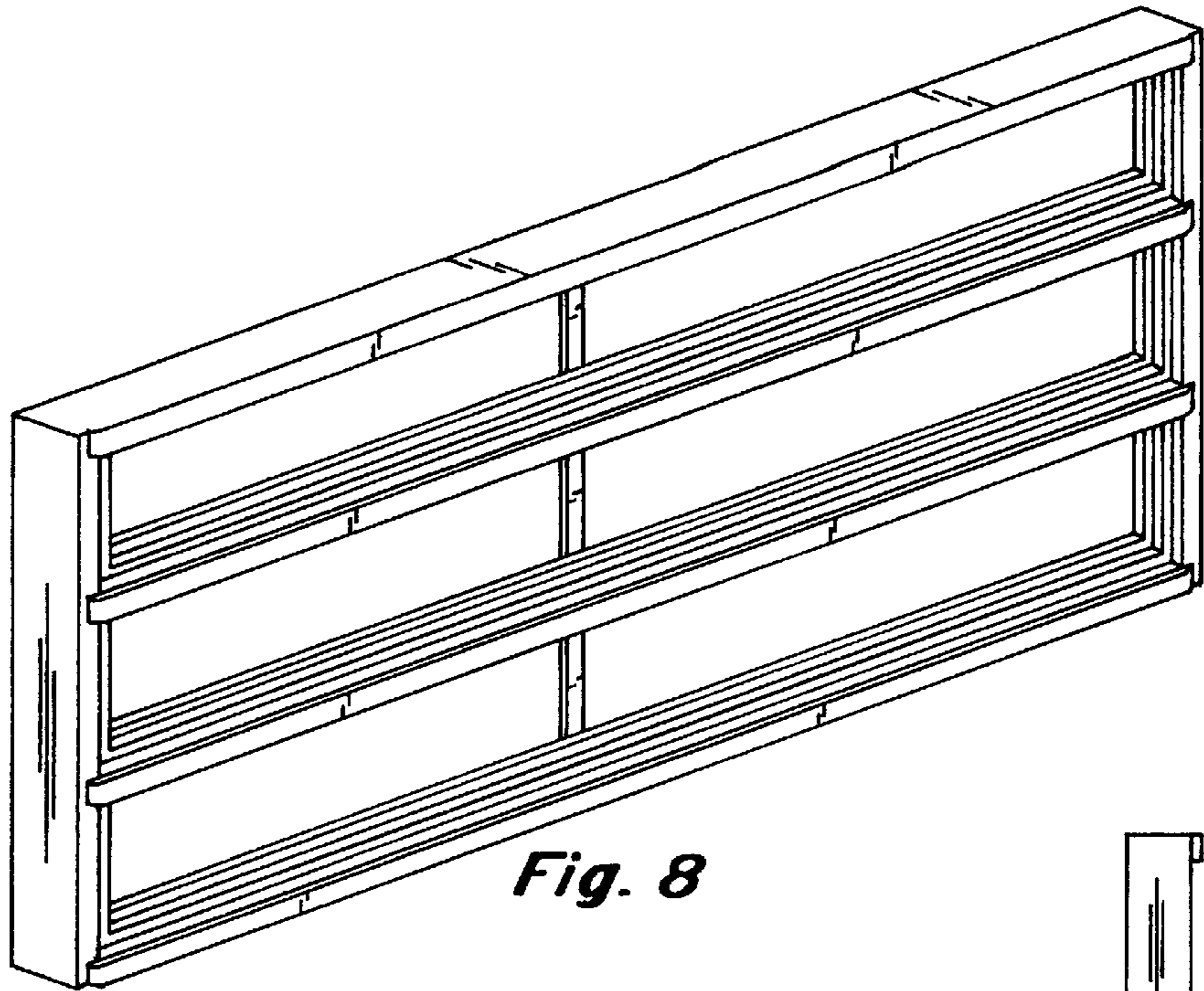


Fig. 8

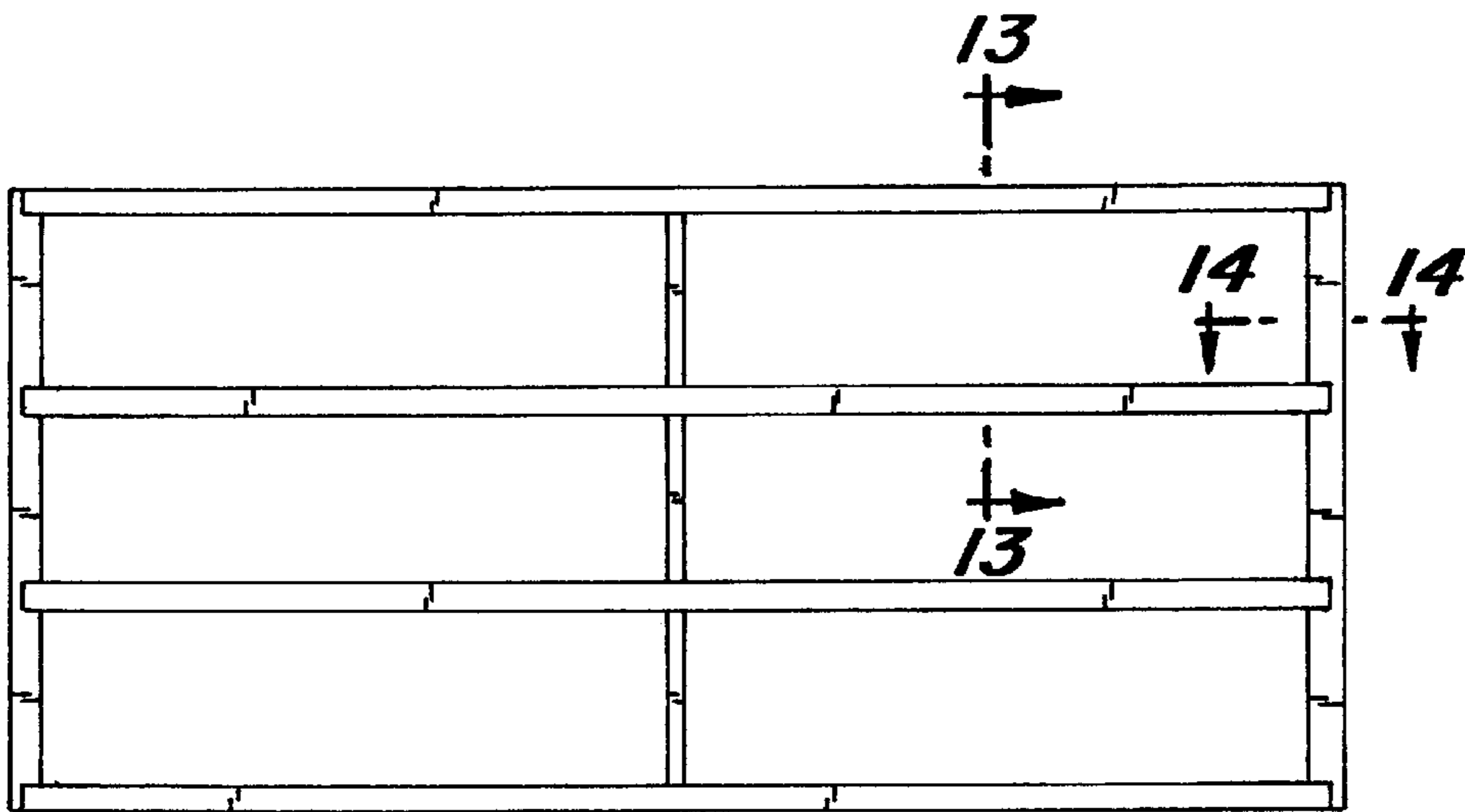


Fig. 10

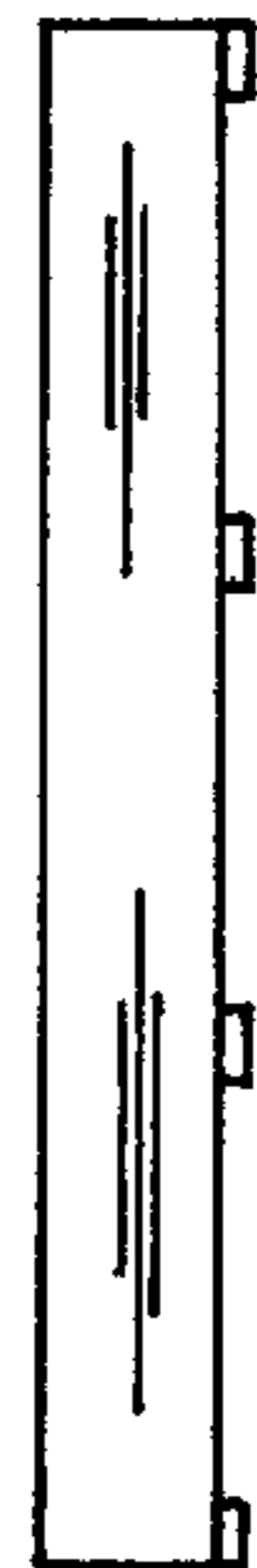


Fig. 9



Fig. 11

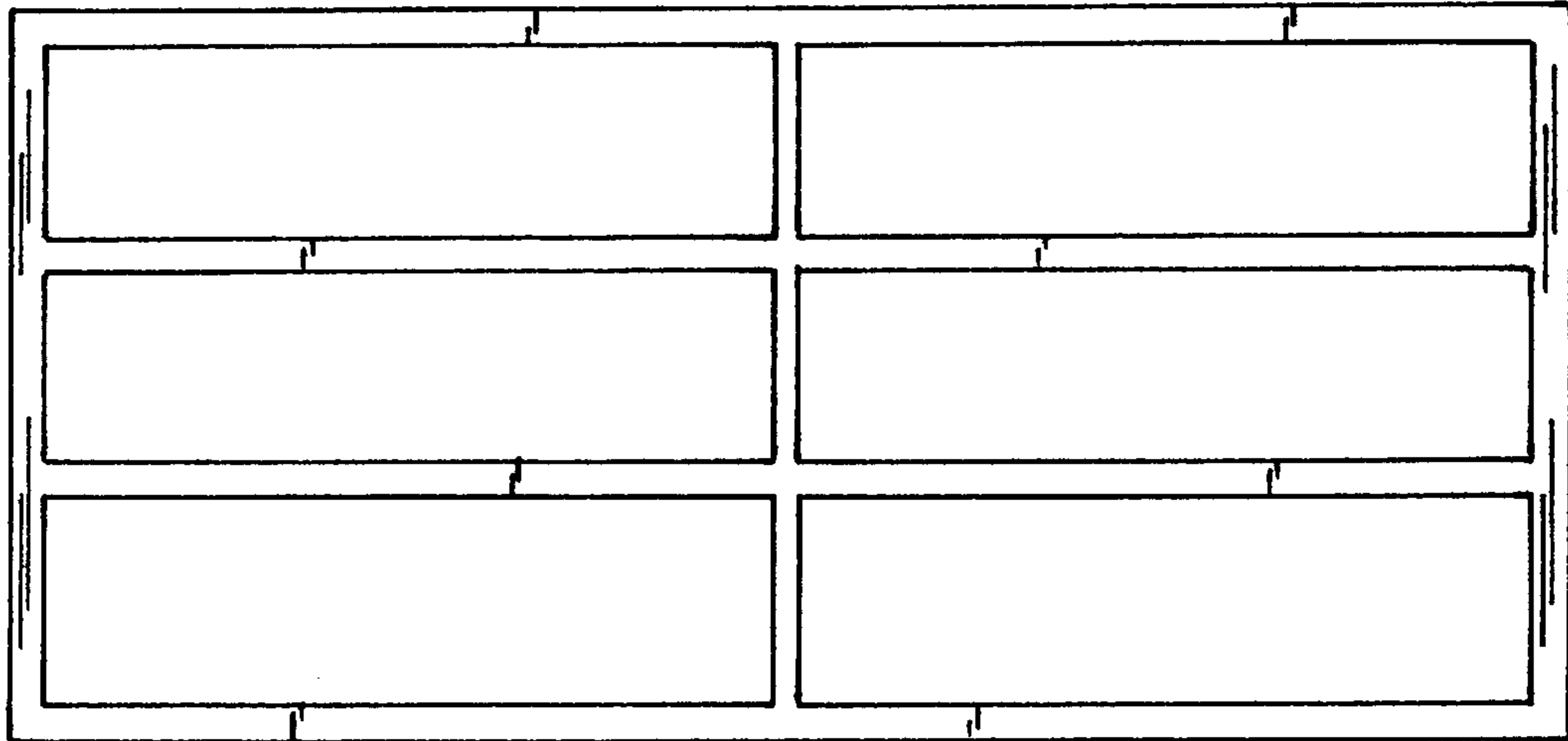


Fig. 12

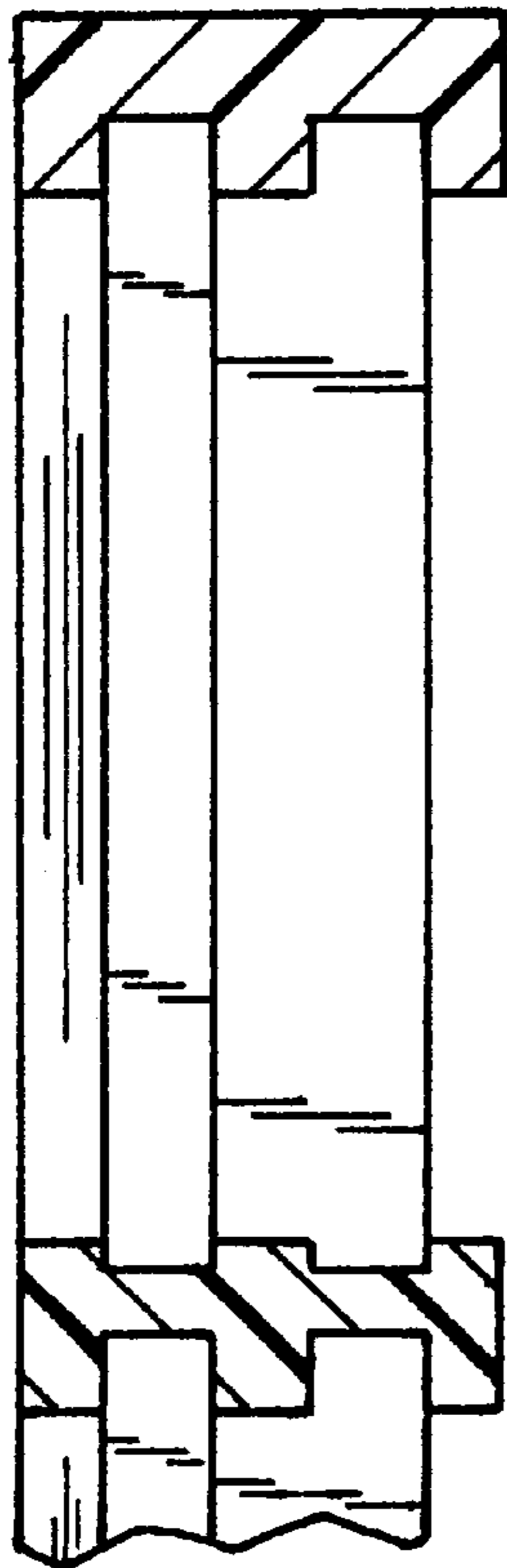


Fig. 13

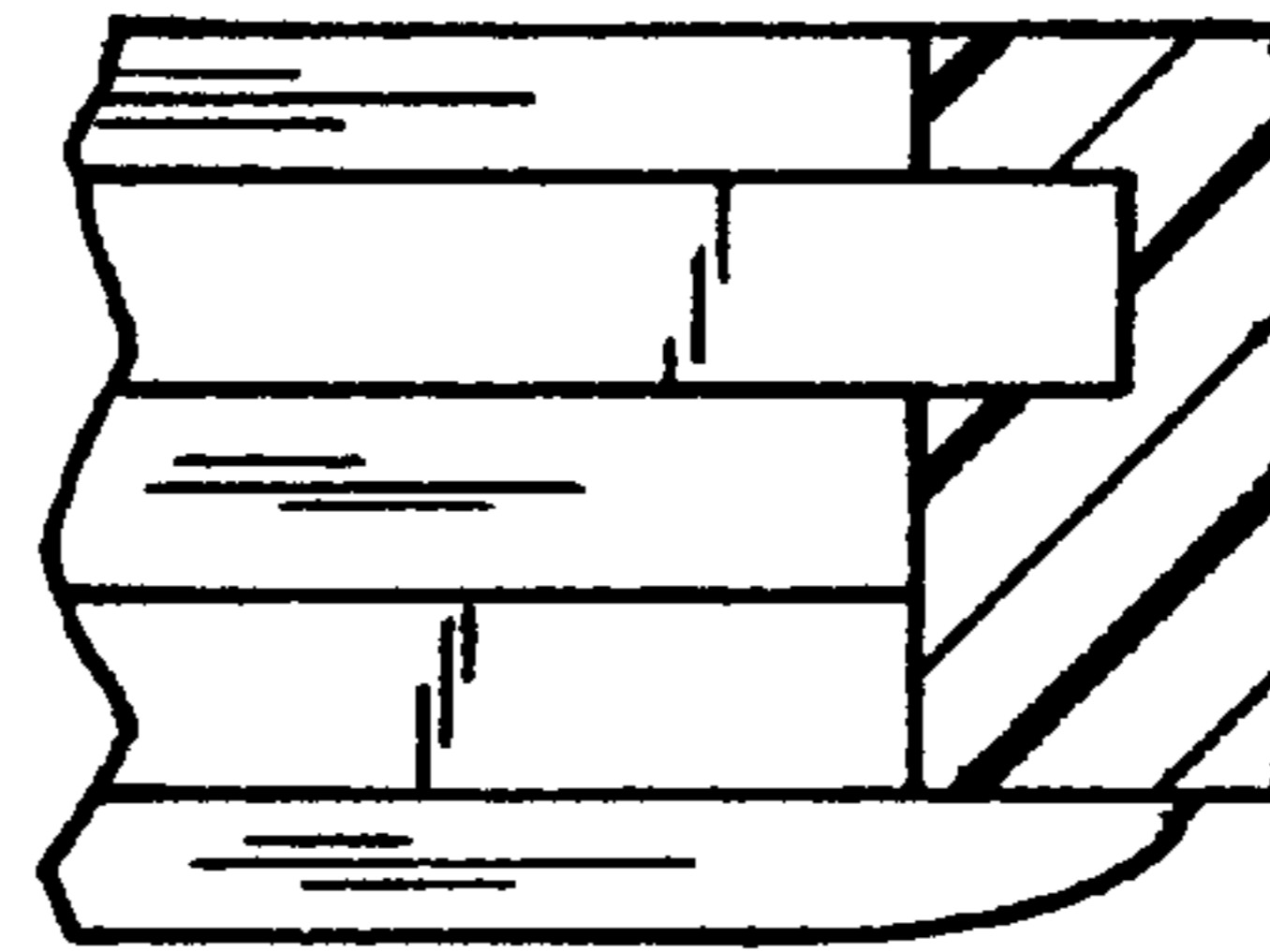


Fig. 14