



US00D411388S

United States Patent [19]

Sacco et al.

[11] Patent Number: Des. 411,388

[45] Date of Patent: ** Jun. 22, 1999

[54] EXTERIOR SURFACE DESIGN FOR LAPTOP DESK

5,081,936 1/1992 Drieling 108/43
5,090,334 2/1992 Sutton 108/43

[75] Inventors: Bruno Sacco, Sindelfingen; Peter Pfeiffer, Boeblingen; Michael Mauer, Ettlingen; Claudia Berger-Diebold, Pforzheim, all of Germany

Primary Examiner—M. N. Pandozzi
Attorney, Agent, or Firm—Evenson McKeown Edwards & Lenahan, PLLC

[73] Assignee: Daimler-Benz AG, Stuttgart, Germany

[57] CLAIM

[**] Term: 14 Years

The ornamental design for an exterior surface design for laptop desk, as shown and described.

[21] Appl. No.: 29/080,705

DESCRIPTION

[22] Filed: Dec. 15, 1997

FIG. 1 is a perspective view depicting the bottom, front, and left sides of an exterior surface design for laptop desk according to our novel design;

[51] LOC (6) Cl. 06-99

FIG. 2 is a view from the top of an exterior surface design for laptop desk according to our novel design;

[52] U.S. Cl. D6/406.6; D6/406.5; D6/406.3

FIG. 3 is a side view from the front of an exterior surface design for laptop desk according to our novel design;

[58] Field of Search D6/406.1, 406.2, D6/406.3, 406.4, 406.5, 406.6, 419, 420; D19/90, 91, 92, 52; 248/453, 452, 444.1; 206/561; 108/5, 42, 43

FIG. 4 is a side view from the right of an exterior surface design for laptop desk according to our novel design. The side view from the right is a symmetrical mirror image of the side view from the left;

[56] References Cited

U.S. PATENT DOCUMENTS

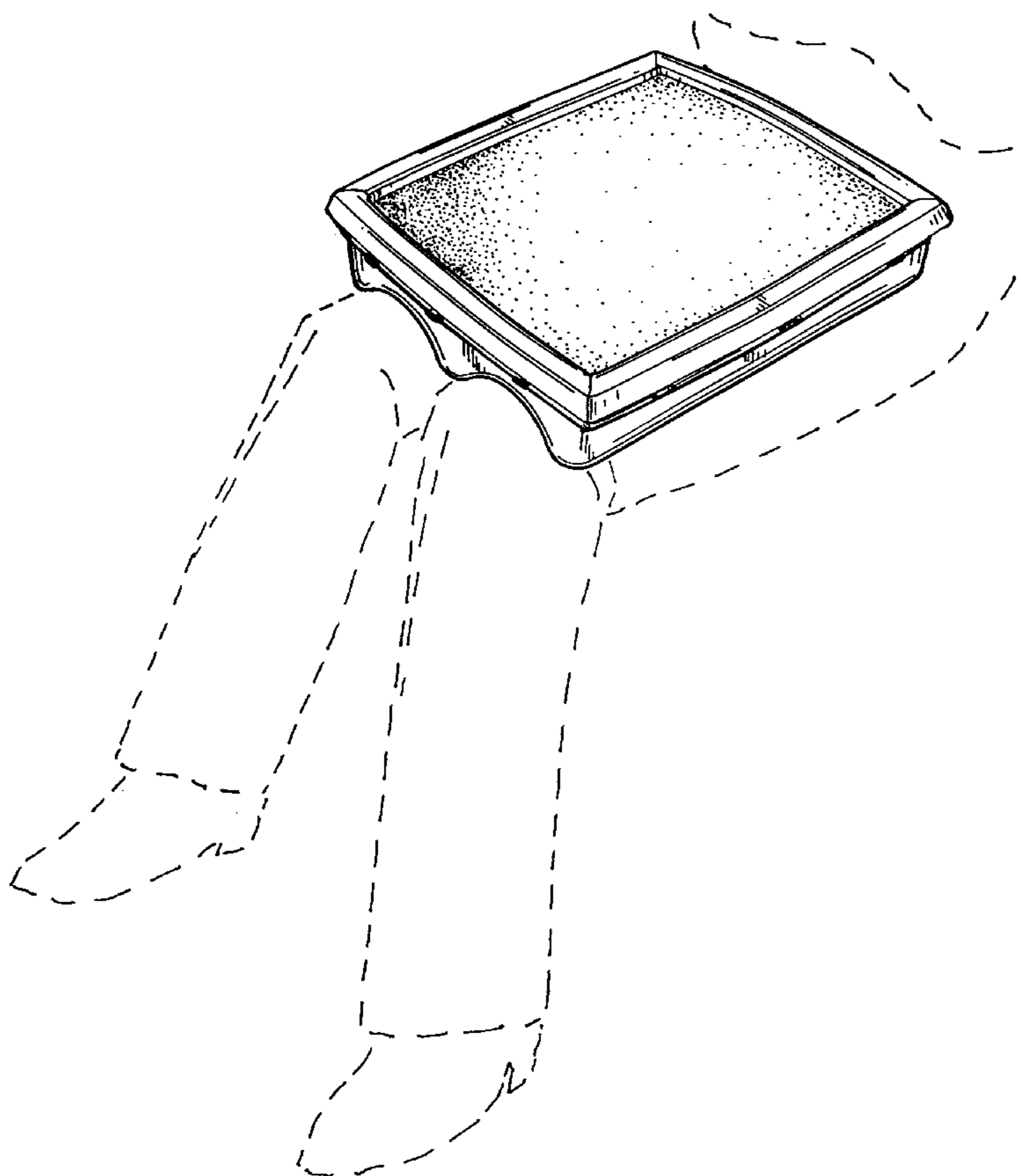
| | | | | |
|------------|---------|---------------|-------|----------|
| D. 276,732 | 12/1984 | Marquez | | D19/52 |
| D. 308,450 | 6/1990 | Harris et al. | | D6/406.6 |
| D. 342,170 | 12/1993 | Palmer | | D6/406.6 |
| D. 344,435 | 2/1994 | Whall | | D6/406.6 |
| D. 383,918 | 9/1997 | Prince | | D6/406.6 |
| 4,052,944 | 10/1977 | Jennings | | 108/43 |
| 4,235,472 | 11/1980 | Sparks et al. | | 108/43 X |

FIG. 5 is a view from the bottom of an exterior surface design for laptop desk according to our novel design;

FIG. 6 is a perspective view depicting the top, front, and left sides of an exterior surface design for laptop desk according to our novel design;

The broken lines in FIG. 6 are for illustrative purposes only and forms no part of the claimed design.

1 Claim, 3 Drawing Sheets



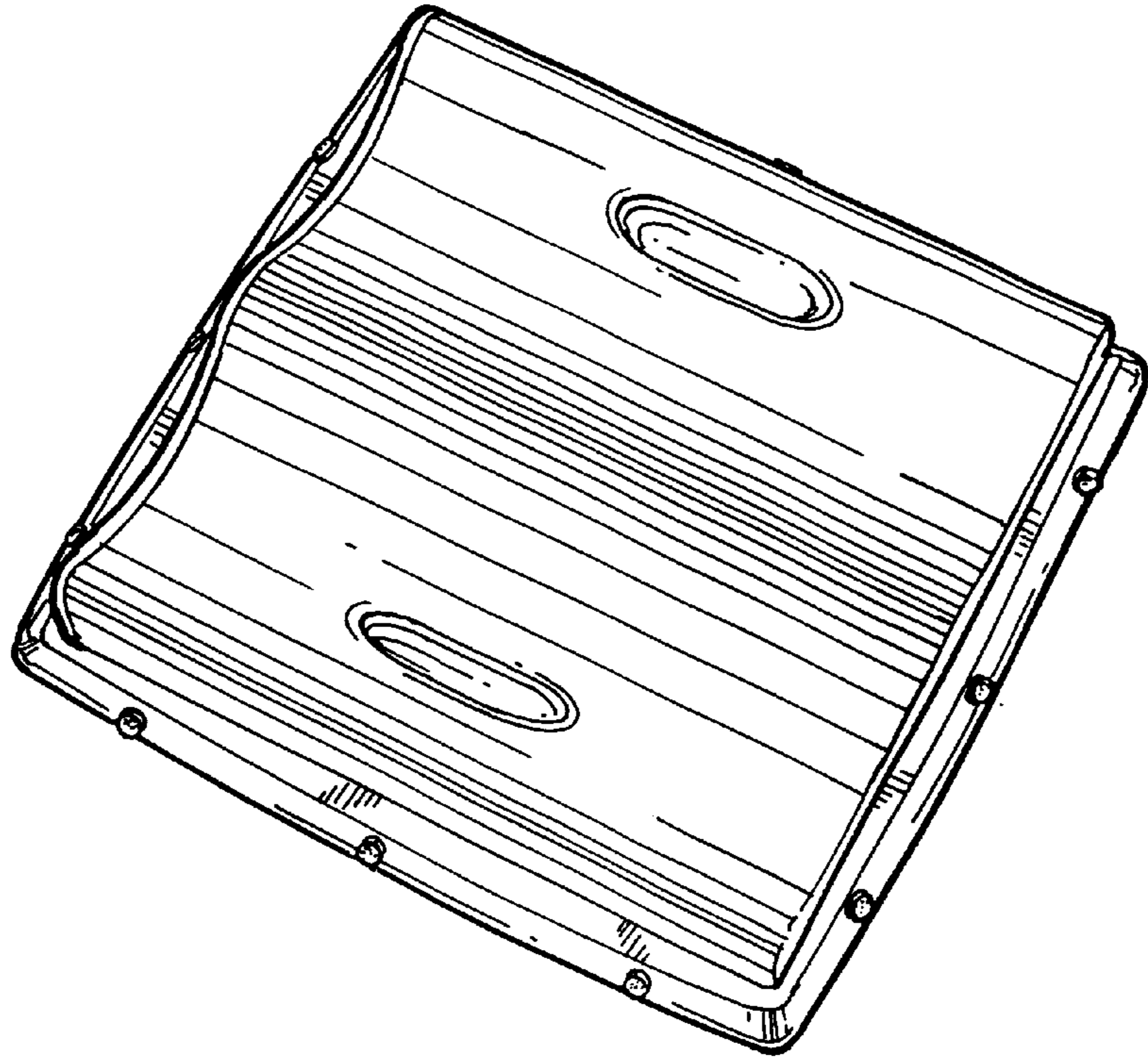


FIG. 1

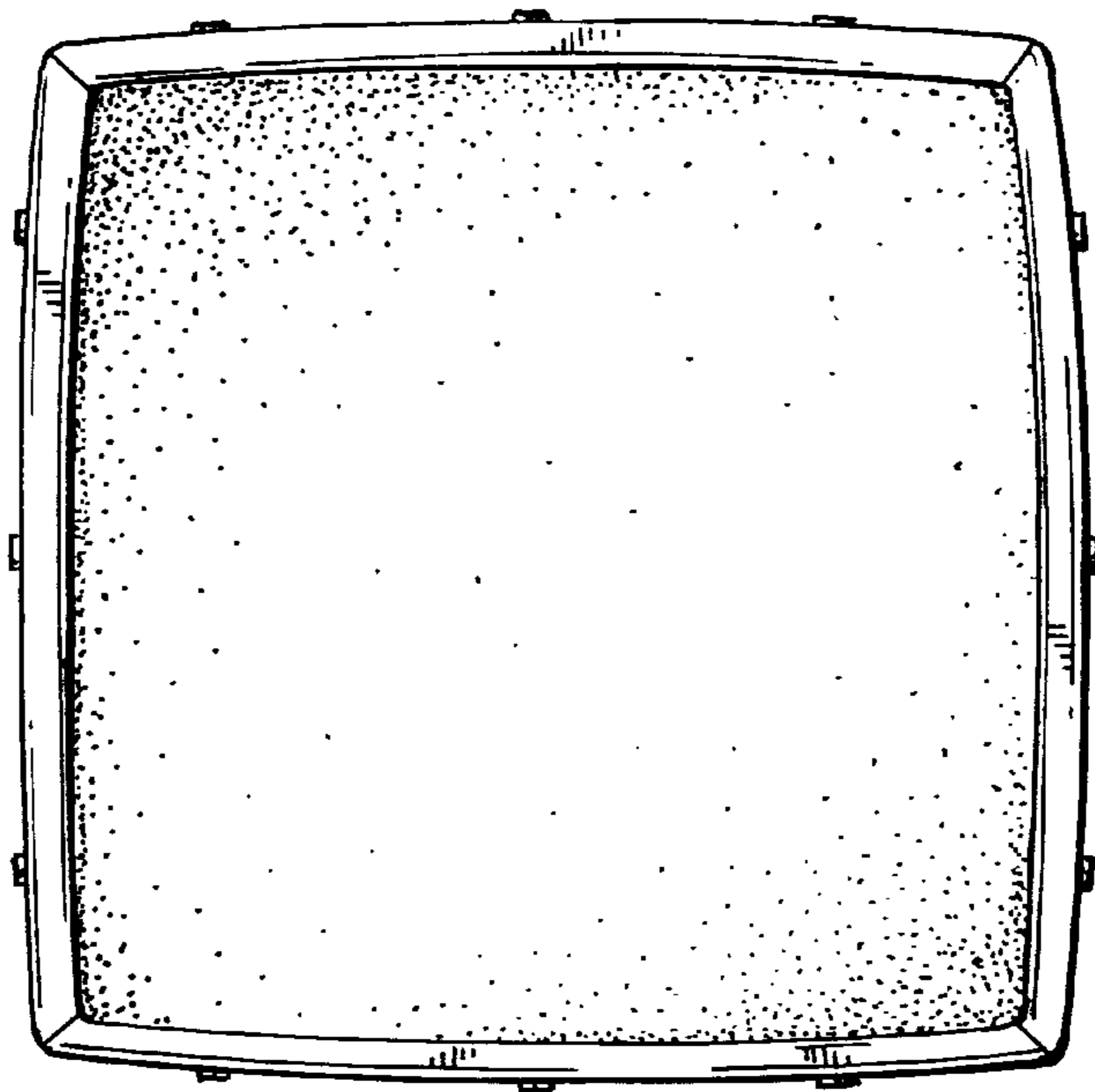


FIG. 2

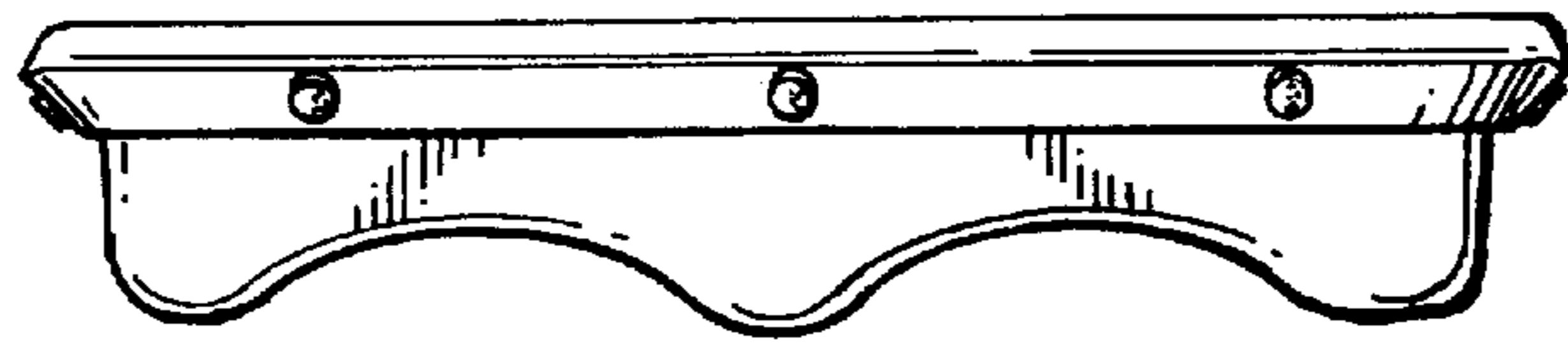


FIG. 3

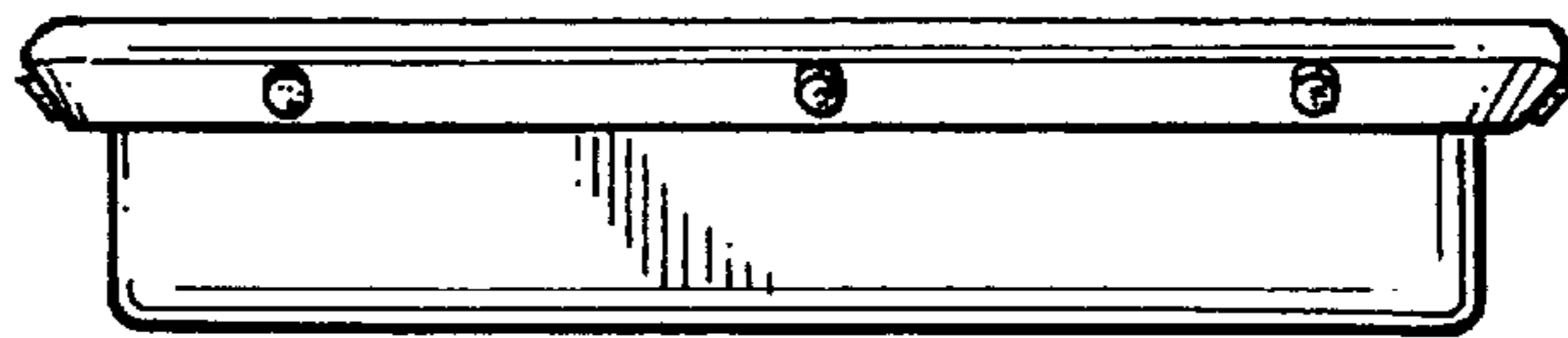


FIG. 4

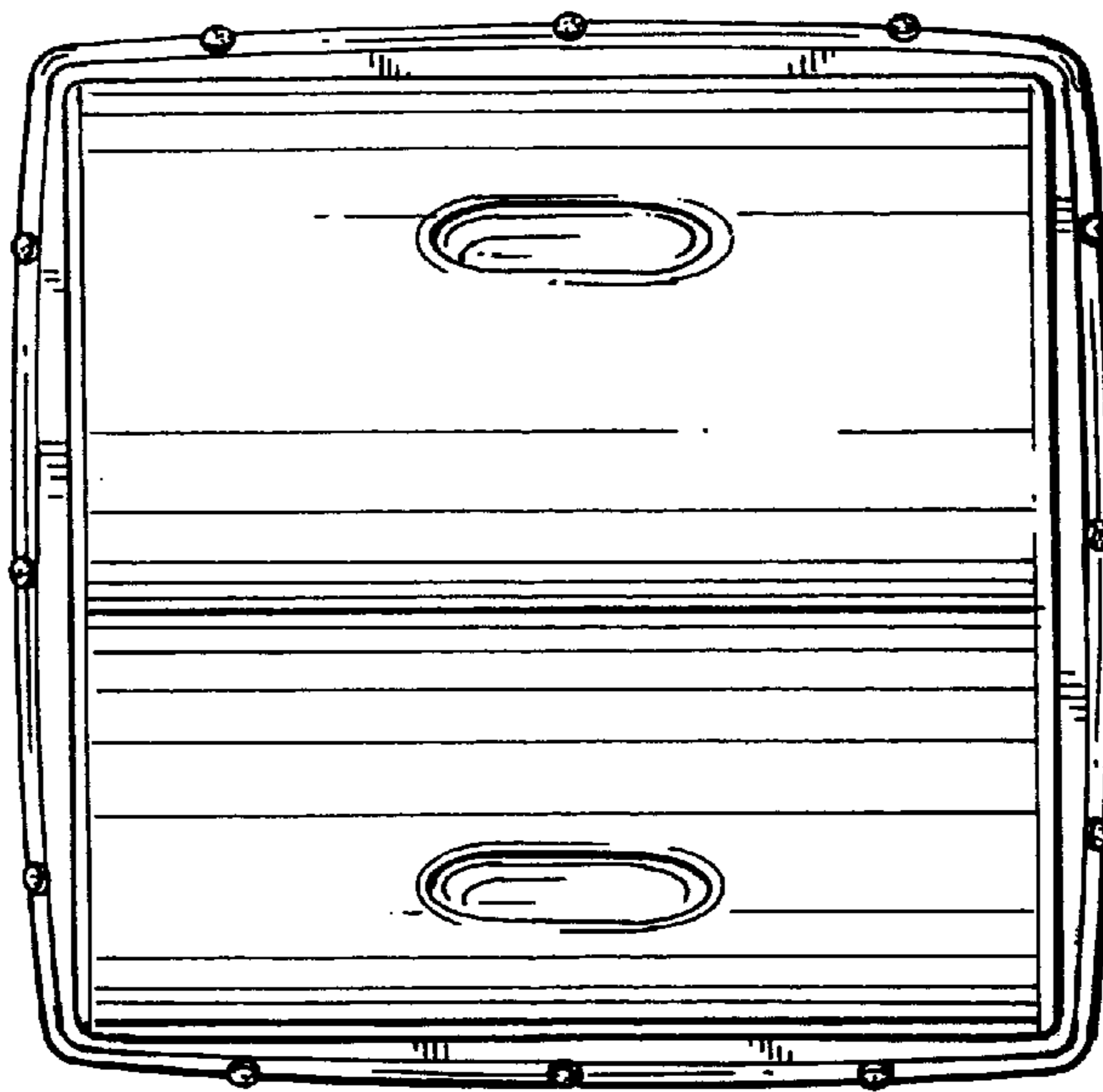


FIG. 5

FIG. 6

