



US00D411387S

United States Patent [19]
Zheng

[11] **Patent Number: Des. 411,387**

[45] **Date of Patent: ** Jun. 22, 1999**

[54] **COLLAPSIBLE, PORTABLE COT**

5,109,556 5/1992 Cook 5/110

[76] Inventor: **Edward Zheng**, 1801 W. Holt,
Pomona, Calif. 91768

Primary Examiner—Janice E. Seeger
Attorney, Agent, or Firm—Cecilia L. Yu, Esq.

[**] Term: **14 Years**

[57] **CLAIM**

[21] Appl. No.: **29/075,110**

The ornamental design for a collapsible, portable cot, as shown and described.

[22] Filed: **Aug. 6, 1997**

DESCRIPTION

[51] **LOC (6) Cl.** **06-01**

[52] **U.S. Cl.** **D6/392; D6/361**

[58] **Field of Search** D6/382, 386, 387,
D6/392, 361; 5/120-130, 174, 178-180,
110, 627

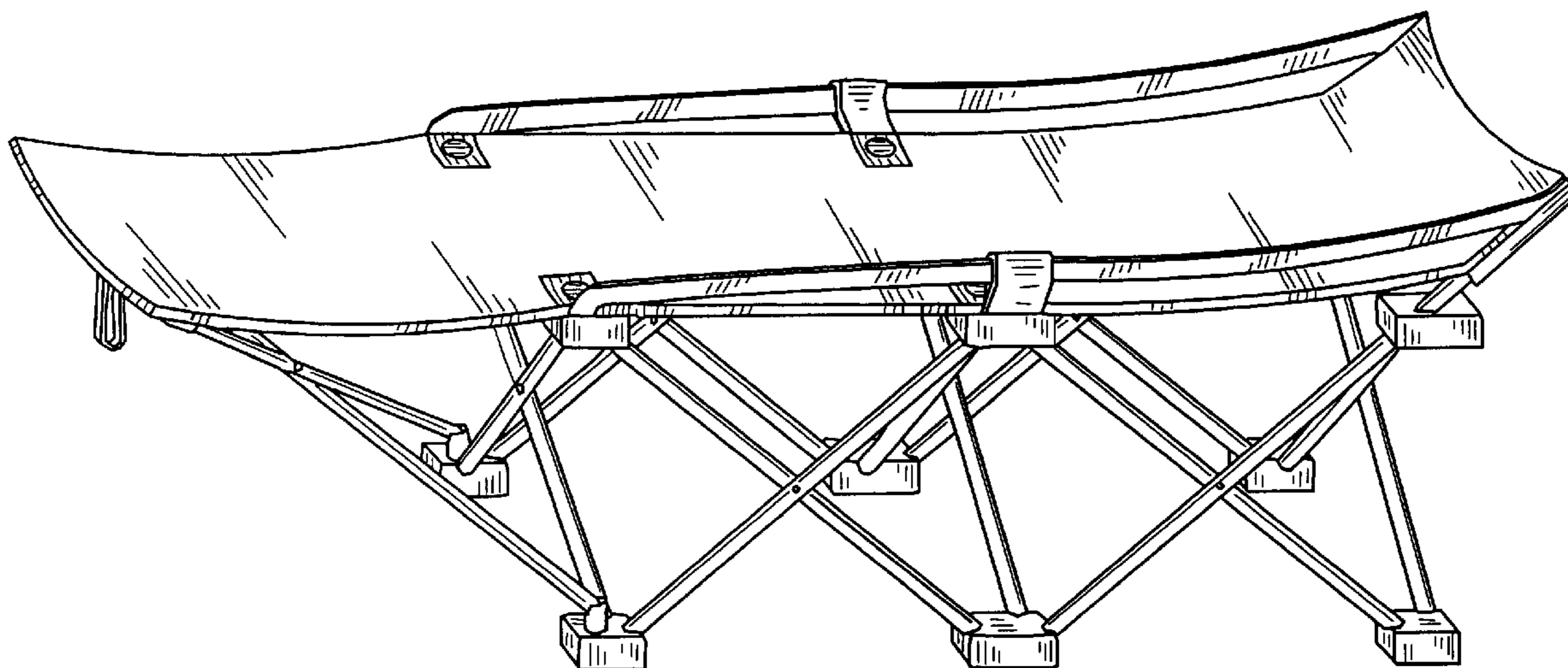
FIG. 1 is a front perspective view of the ornamental design of the present invention in an open position;
FIG. 2 is a top view thereof in an open position;
FIG. 3 is a bottom view thereof in an open position;
FIG. 4 is a left side view thereof in an open position the right side being a mirror image thereof;
FIG. 5 is a front plan view thereof in an open position;
FIG. 6 is a back plan view thereof in an open position; and,
FIG. 7 is a left side view thereof in a closed position.

[56] **References Cited**

U.S. PATENT DOCUMENTS

1,151,495 8/1915 Menten 5/122
2,534,019 12/1950 Griswold 5/174

1 Claim, 2 Drawing Sheets



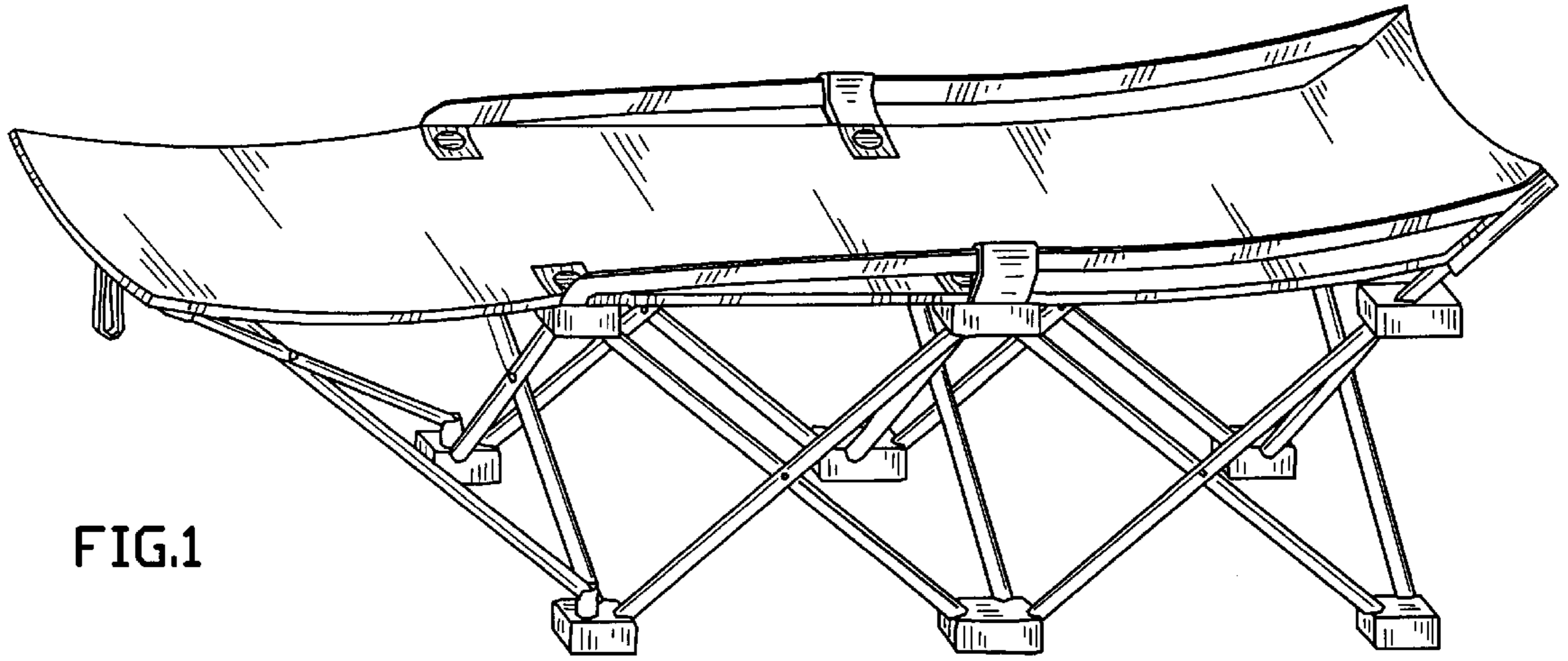


FIG.1

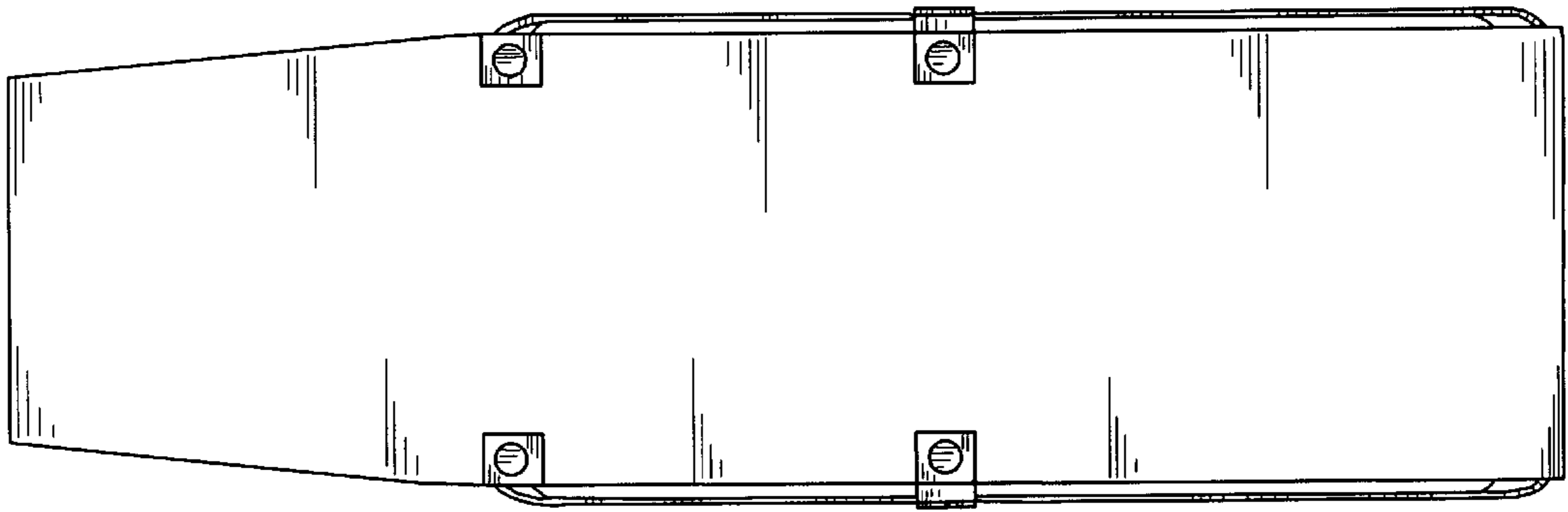


FIG.2

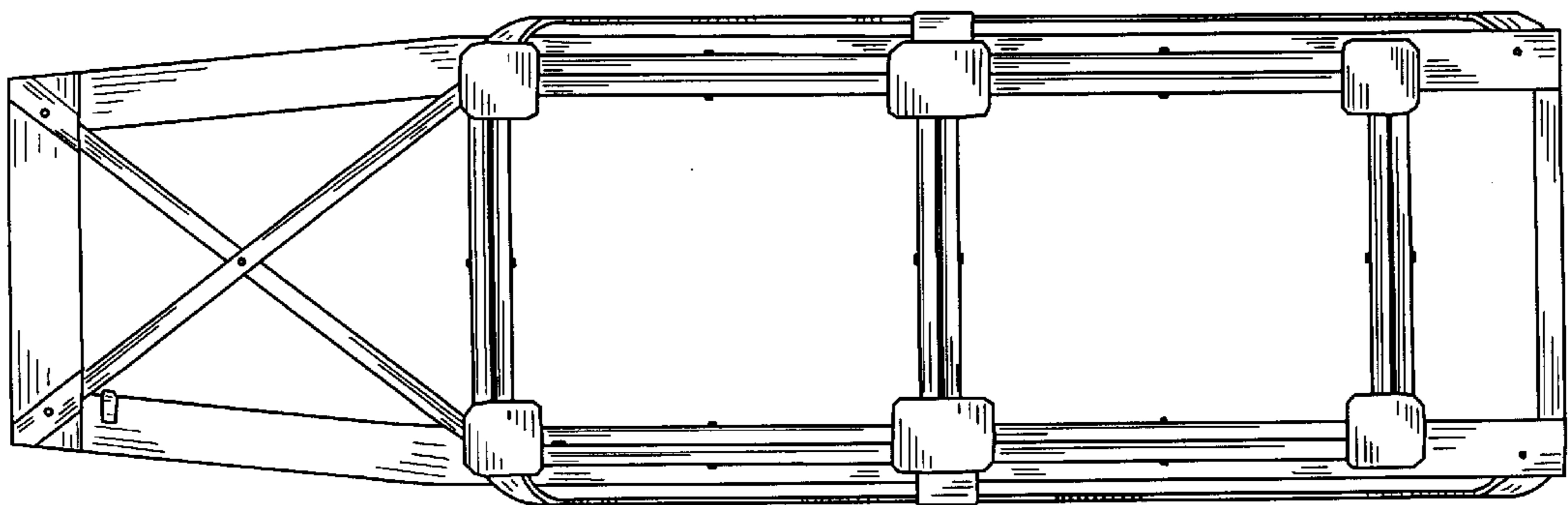


FIG.3

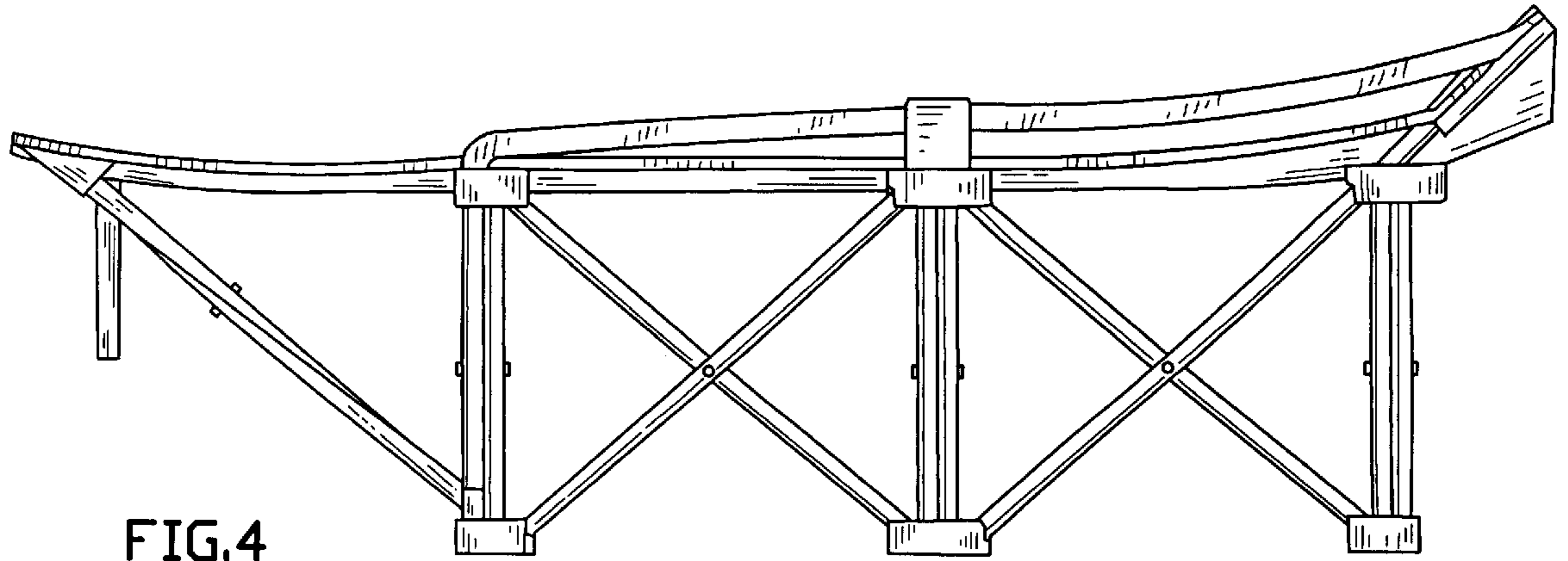


FIG. 4

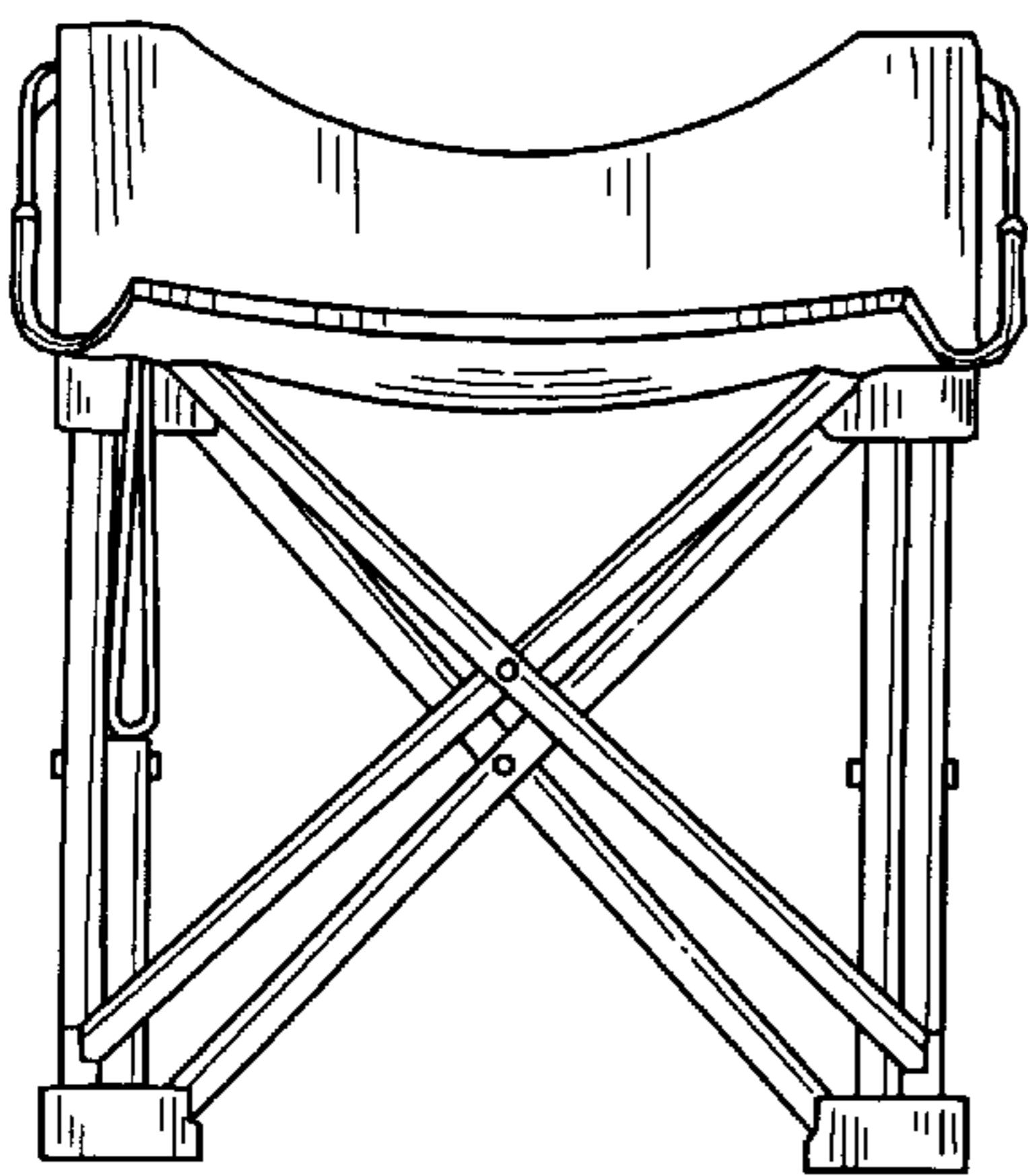


FIG. 6

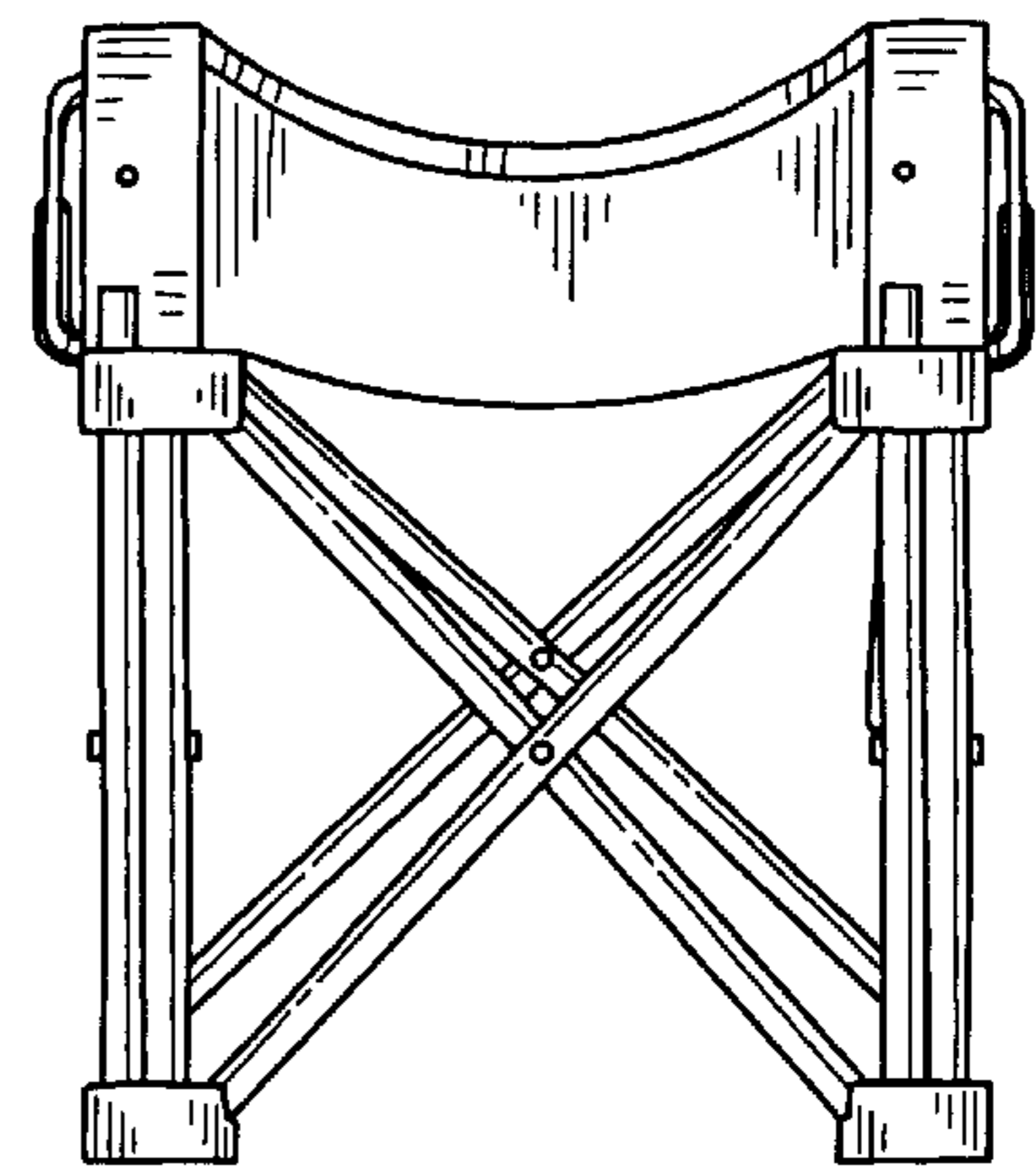


FIG. 5

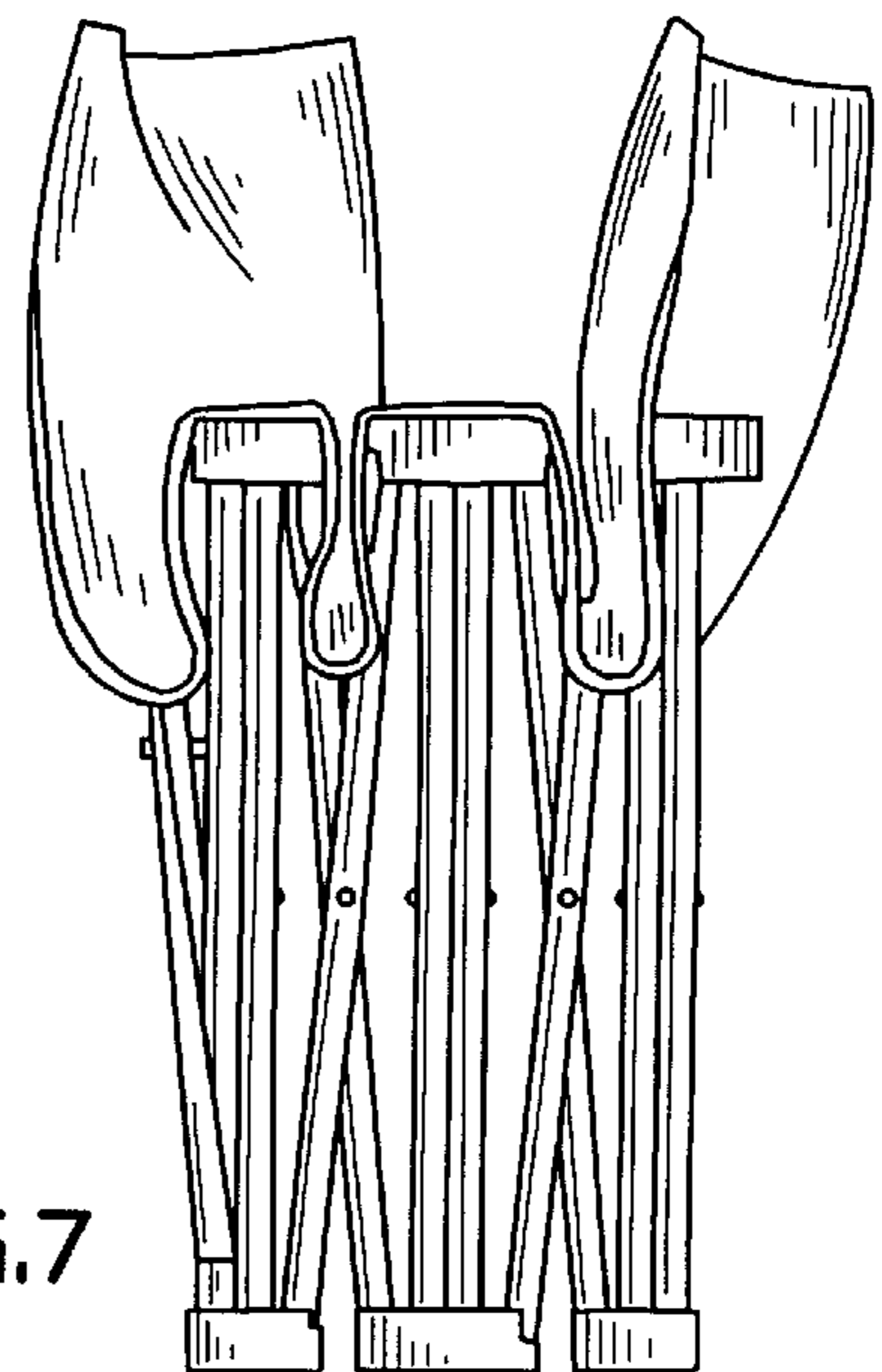


FIG. 7